



US00D607262S

(12) **United States Design Patent**
Chung

(10) **Patent No.:** **US D607,262 S**

(45) **Date of Patent:** **** Jan. 5, 2010**

(54) **BARBECUE GRILL**

(76) **Inventor:** **Kiosky Chung**, No.72, Chaoguei Rd.,
Situn District, Taichung City 407 (TW)

(**) **Term:** **14 Years**

(21) **Appl. No.:** **29/329,371**

(22) **Filed:** **Dec. 14, 2008**

(51) **LOC (9) Cl.** **07-02**

(52) **U.S. Cl.** **D7/334**

(58) **Field of Classification Search** D7/332,
D7/334-337, 402-406; 126/25 R, 9 R, 37 R,
126/41 R, 40, 42, 50, 9 A, 9 B, 299 C, 98,
126/201, 43-44, 48, 38

See application file for complete search history.

(56) **References Cited**

U.S. PATENT DOCUMENTS

D508,363 S *	8/2005	Chung	D7/334
D529,330 S *	10/2006	Chung	D7/334
D529,331 S *	10/2006	Chung	D7/334
D547,594 S *	7/2007	Pai	D7/334
D549,513 S *	8/2007	Chung	D7/334
D550,501 S *	9/2007	Chung	D7/334

D570,150 S *	6/2008	Pai	D7/334
D576,441 S *	9/2008	Chung	D7/334
D579,709 S *	11/2008	Proffitt et al.	D7/334

* cited by examiner

Primary Examiner—Ruth McInroy

(74) *Attorney, Agent, or Firm*—Banger Shia

(57) **CLAIM**

I claim the ornamental design for a barbecue grill, as shown and described.

DESCRIPTION

FIG. 1 is a perspective view of a barbecue grill, showing my new design;

FIG. 2 is a front elevational view thereof;

FIG. 3 is a rear elevational view thereof;

FIG. 4 is a left side elevational view thereof;

FIG. 5 is a right side elevational view thereof;

FIG. 6 is a top plan view thereof; and,

FIG. 7 is a bottom plan view thereof.

1 Claim, 6 Drawing Sheets

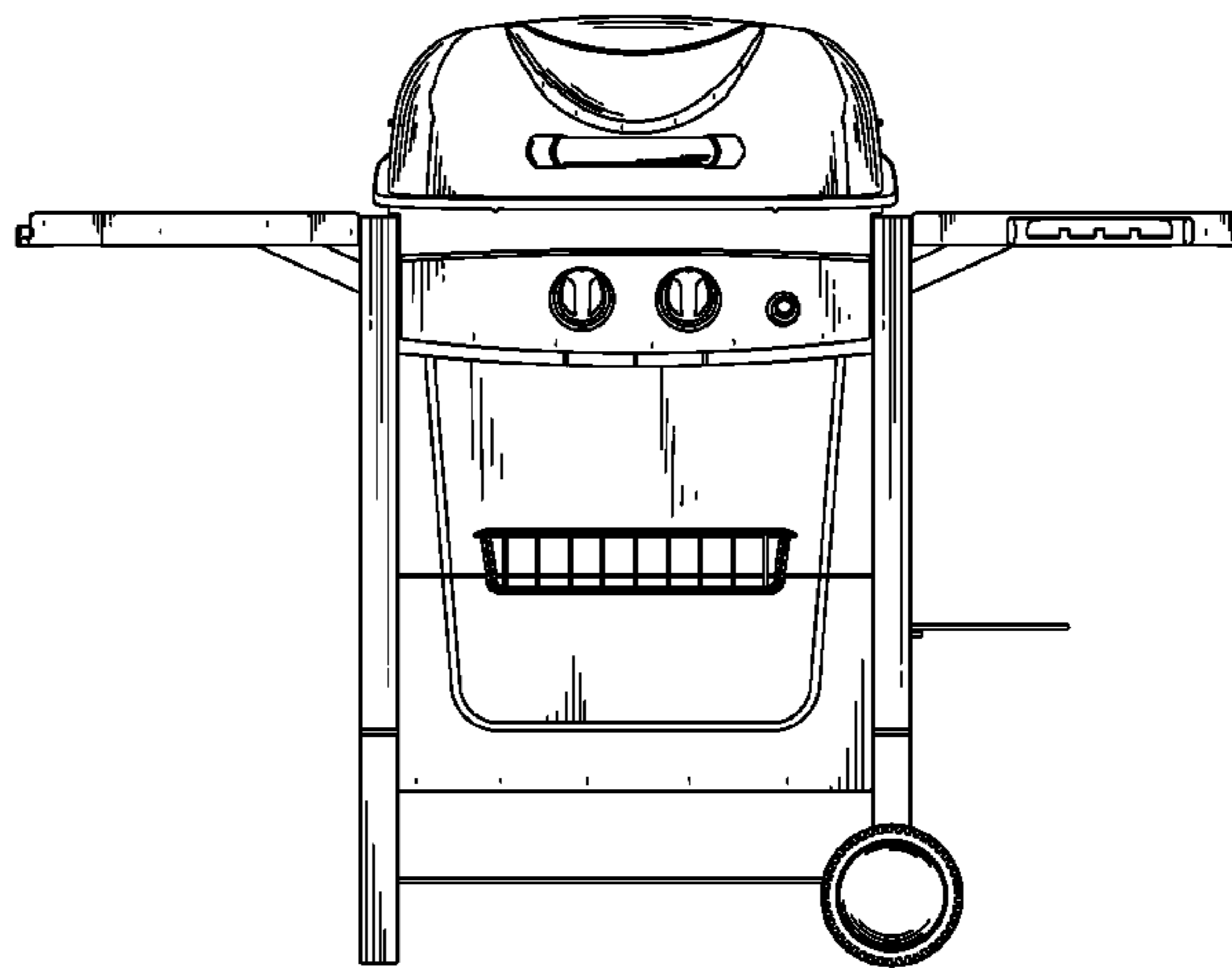
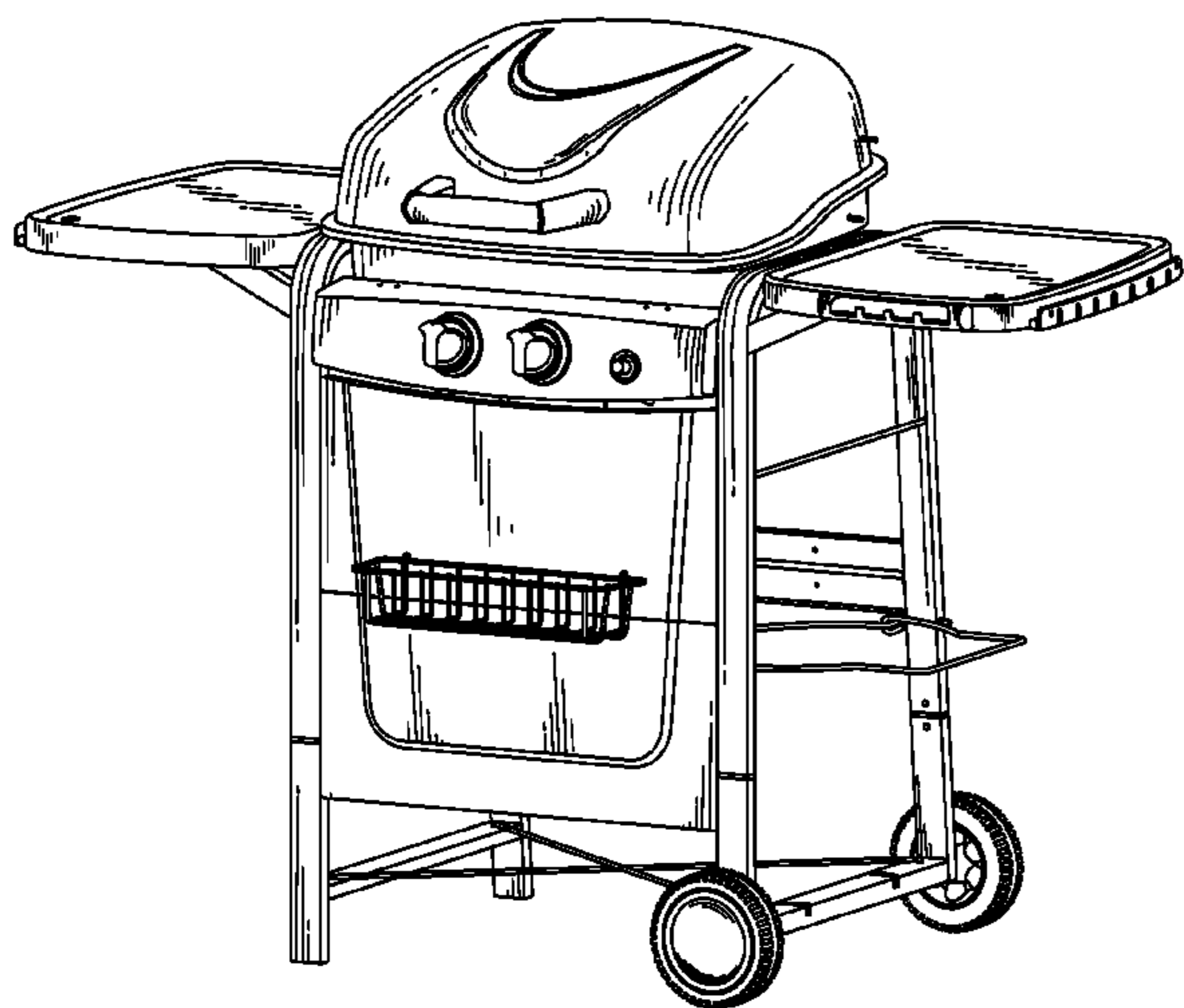




FIG. 1

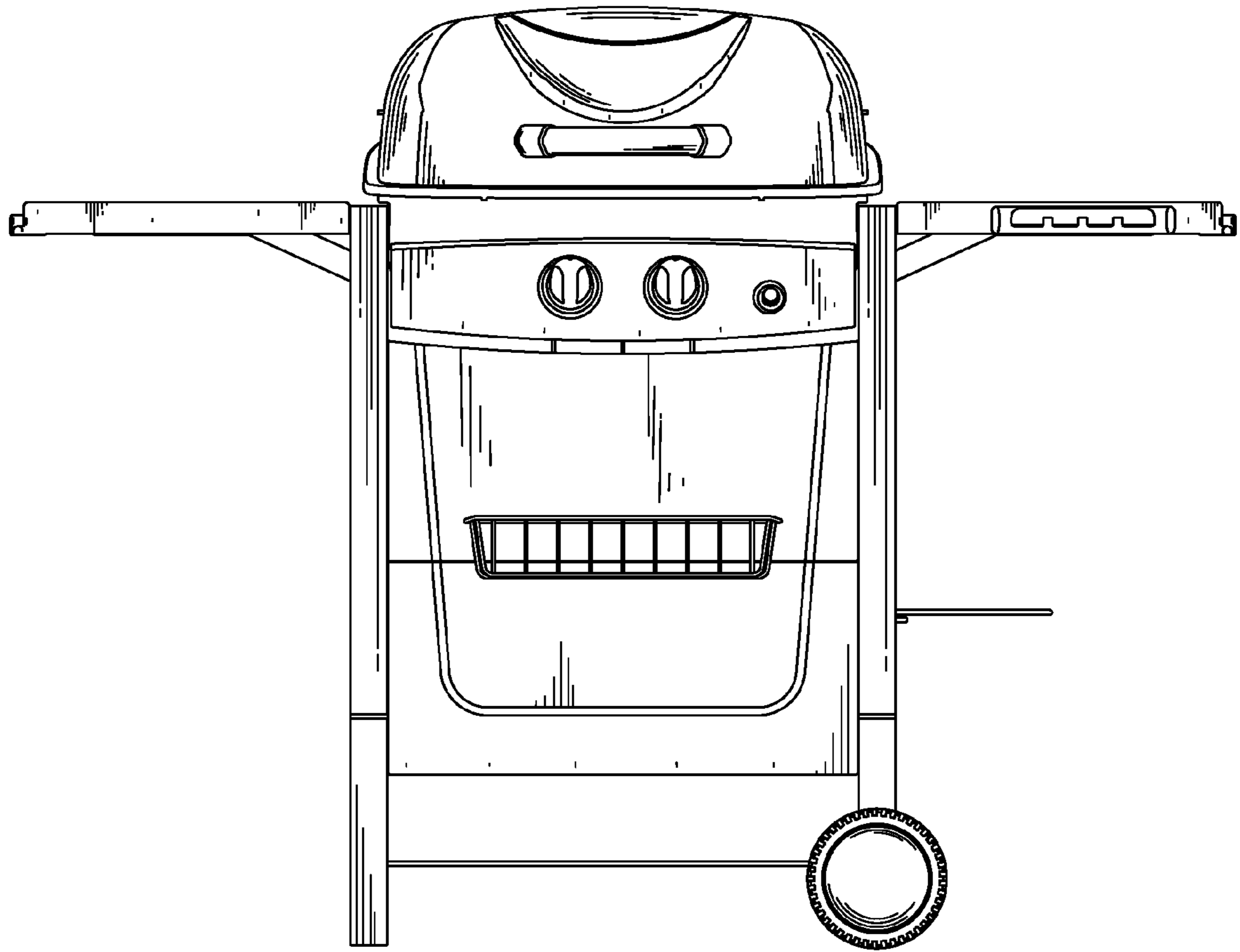


FIG. 2

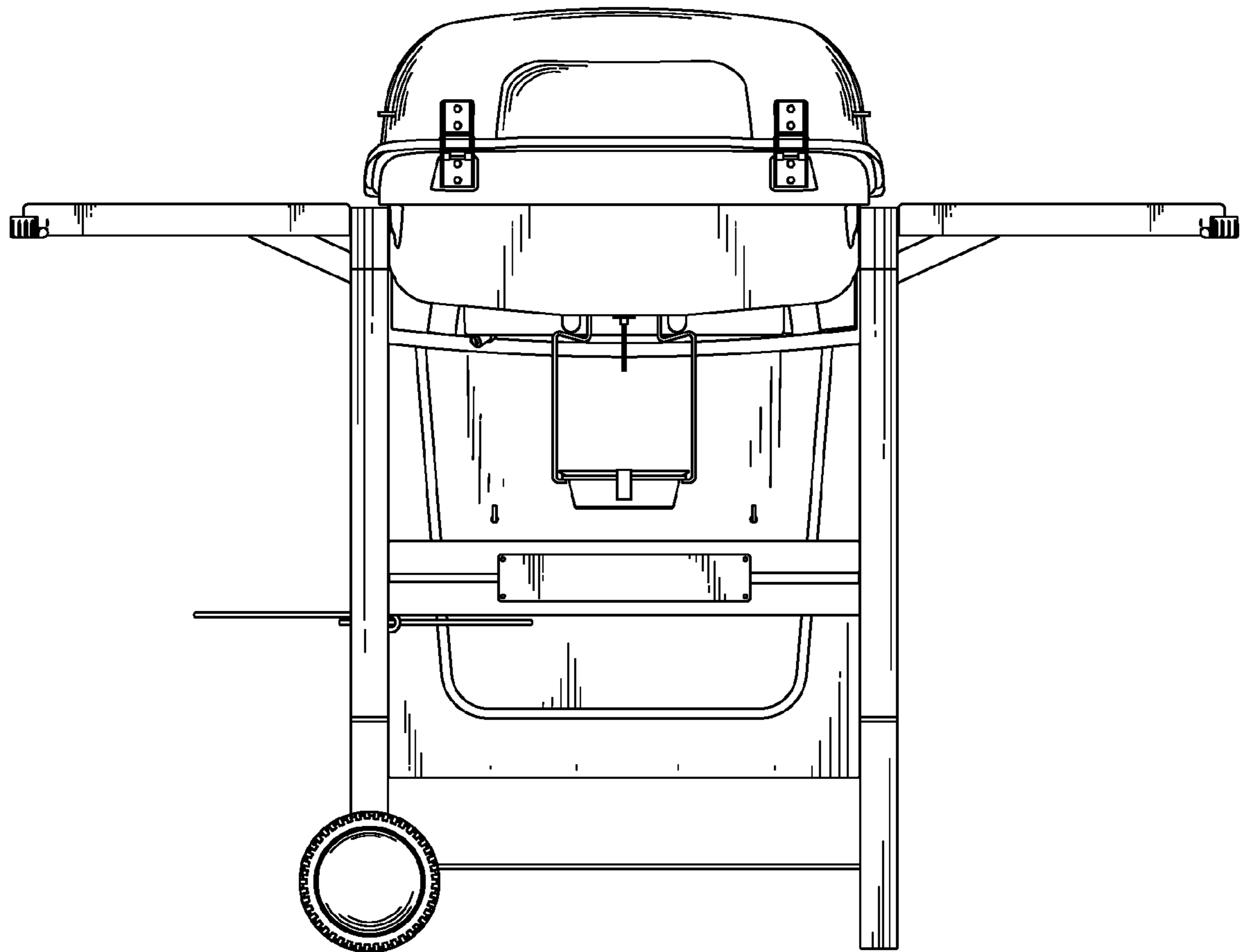


FIG. 3

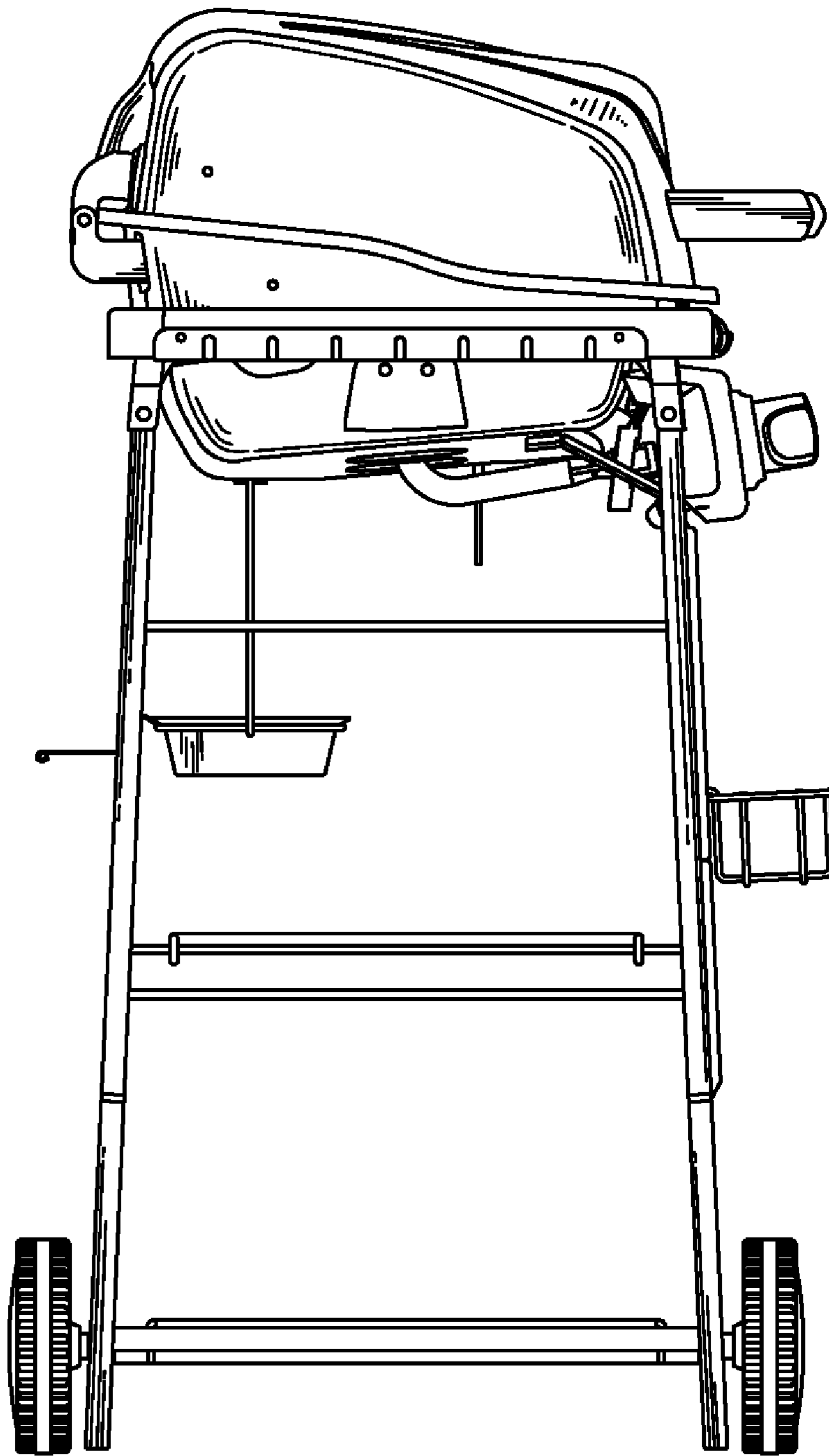


FIG. 4

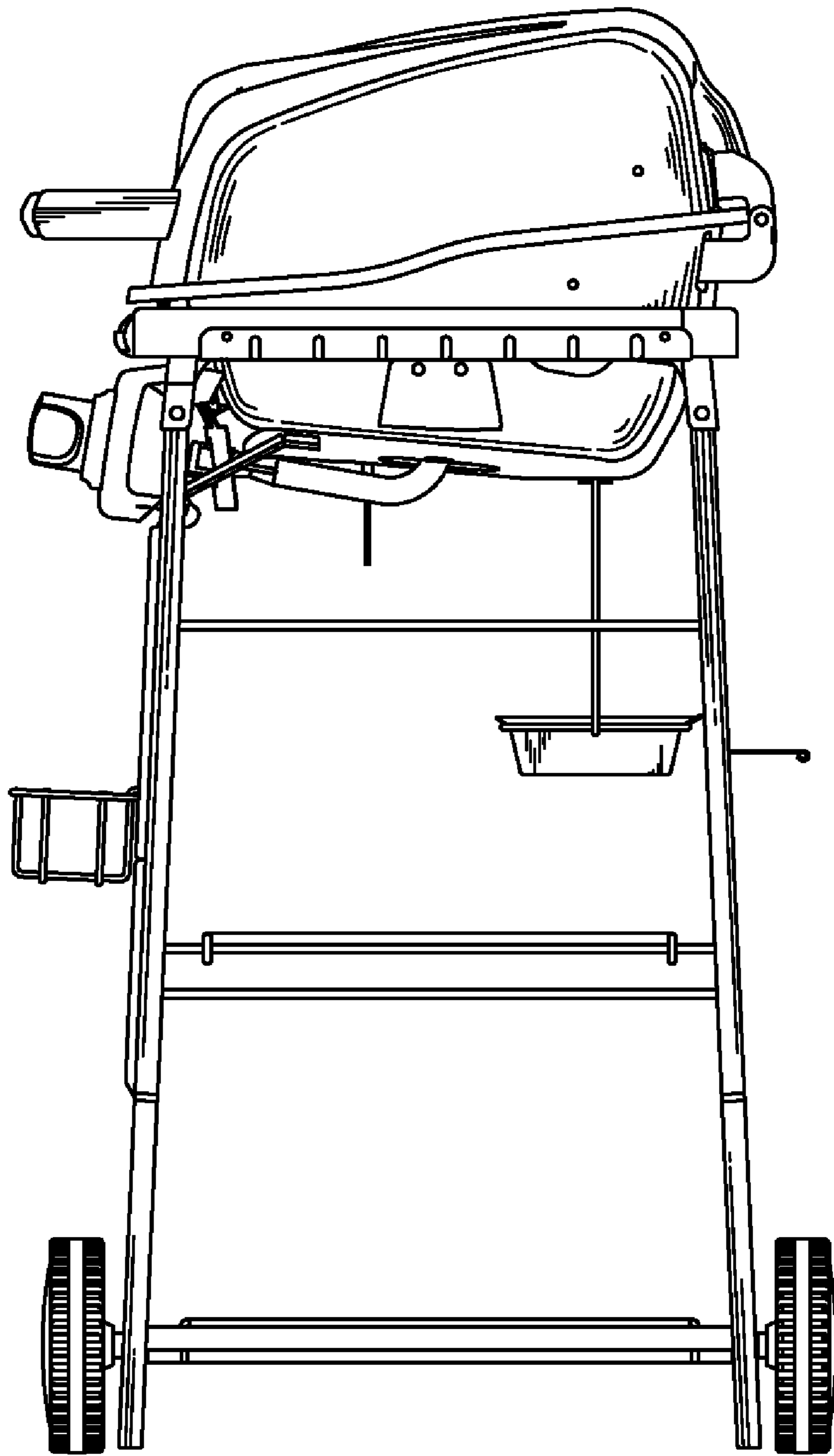


FIG. 5

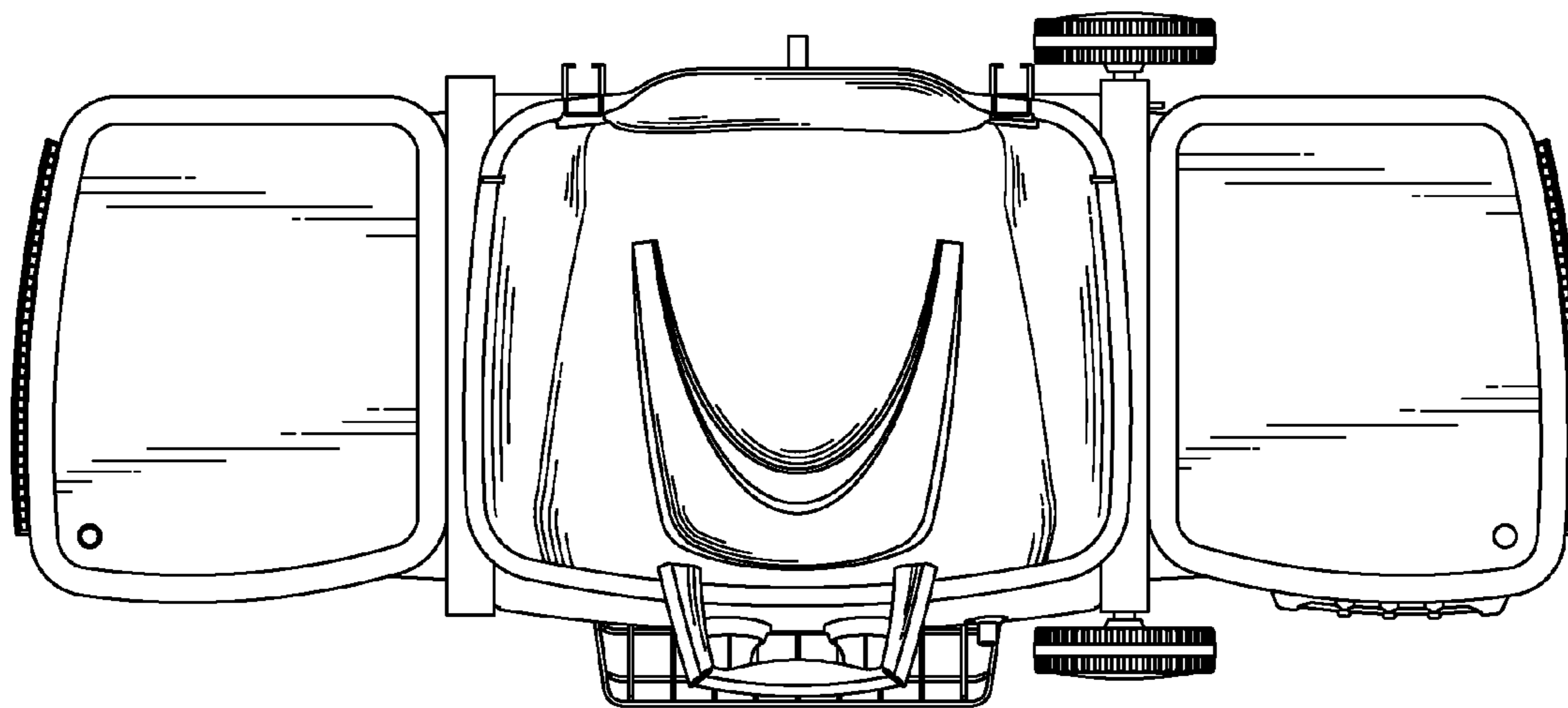


FIG. 6

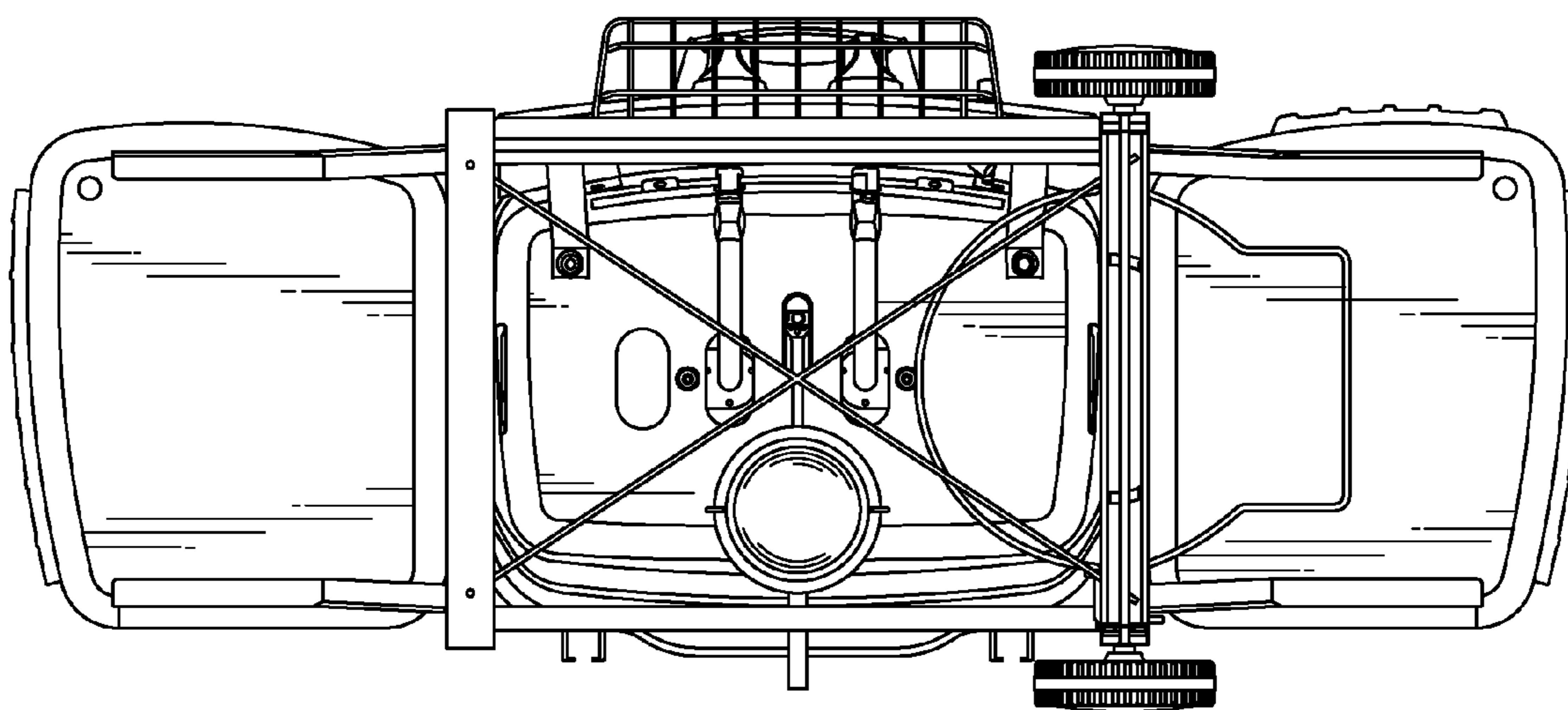


FIG. 7