



US00D607258S

(12) **United States Design Patent**
De Pra'

(10) **Patent No.:** **US D607,258 S**

(45) **Date of Patent:** **** Jan. 5, 2010**

(54) **COFFEE MACHINE**

(75) Inventor: **Dario De Pra'**, Mirano (IT)

(73) Assignee: **De'Longhi Appliances S.R.L. Con Unico Socio**, Treviso (IT)

(**) Term: **14 Years**

(21) Appl. No.: **29/340,935**

(22) Filed: **Jul. 28, 2009**

(30) **Foreign Application Priority Data**

Jan. 30, 2009 (EM) 001079073-00012

(51) **LOC (9) Cl.** **07-01**

(52) **U.S. Cl.** **D7/309; D7/311**

(58) **Field of Classification Search** D7/305-311,
D7/301, 300; 99/284, 299, 300; 222/129.1
See application file for complete search history.

(56) **References Cited**

U.S. PATENT DOCUMENTS

D486,346 S * 2/2004 Jonsson D7/309

D556,495 S * 12/2007 Davenport D7/309

D582,714 S * 12/2008 Hensel D7/309

D586,170 S * 2/2009 Jordana D7/309

D593,356 S * 6/2009 Grassia D7/309

D594,688 S * 6/2009 Hammad et al. D7/306

D597,781 S * 8/2009 Siu D7/309

* cited by examiner

Primary Examiner—Marianne Pandozzi

(74) *Attorney, Agent, or Firm*—Flaster/Greenberg, P.C.

(57) **CLAIM**

The ornamental design for a coffee machine, as shown and described.

DESCRIPTION

FIG. 1 is a perspective view of the coffee machine;

FIG. 2 is a front view of the coffee machine;

FIG. 3 is a rear view of the coffee machine;

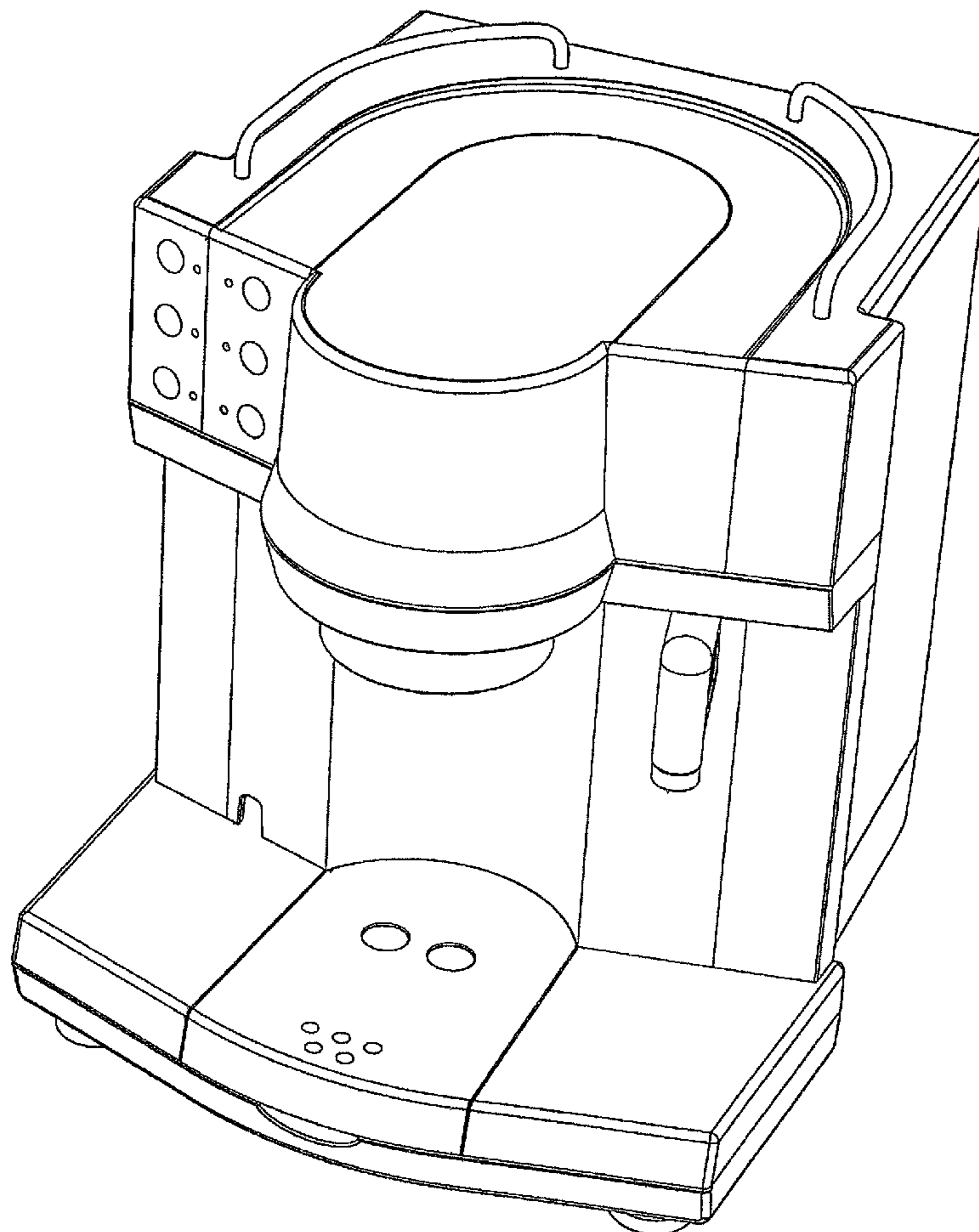
FIG. 4 is a right side view of the coffee machine;

FIG. 5 is a left side view of the coffee machine;

FIG. 6 is a top view of the coffee machine; and,

FIG. 7 is a bottom view of the coffee machine.

1 Claim, 7 Drawing Sheets



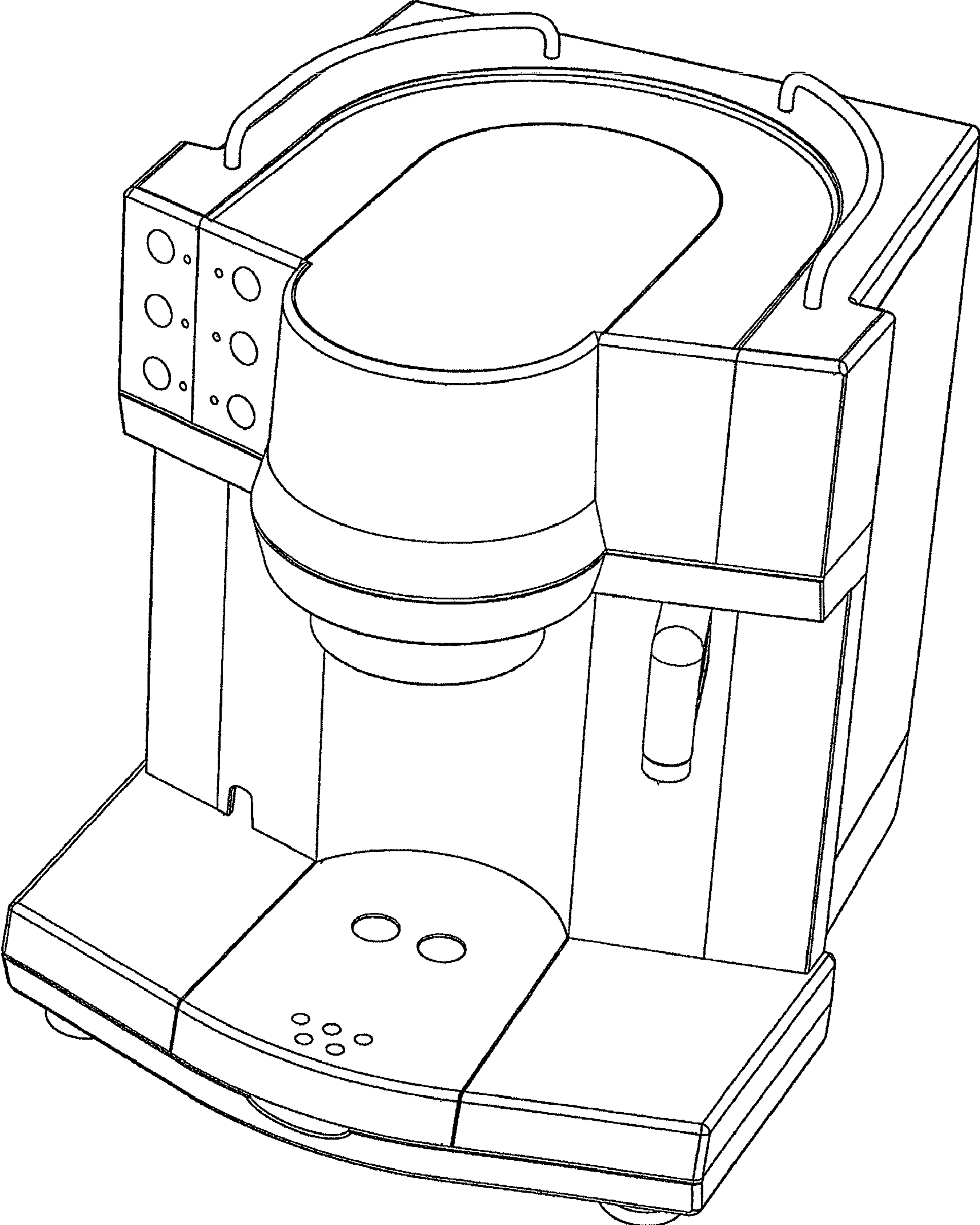


Figure 1

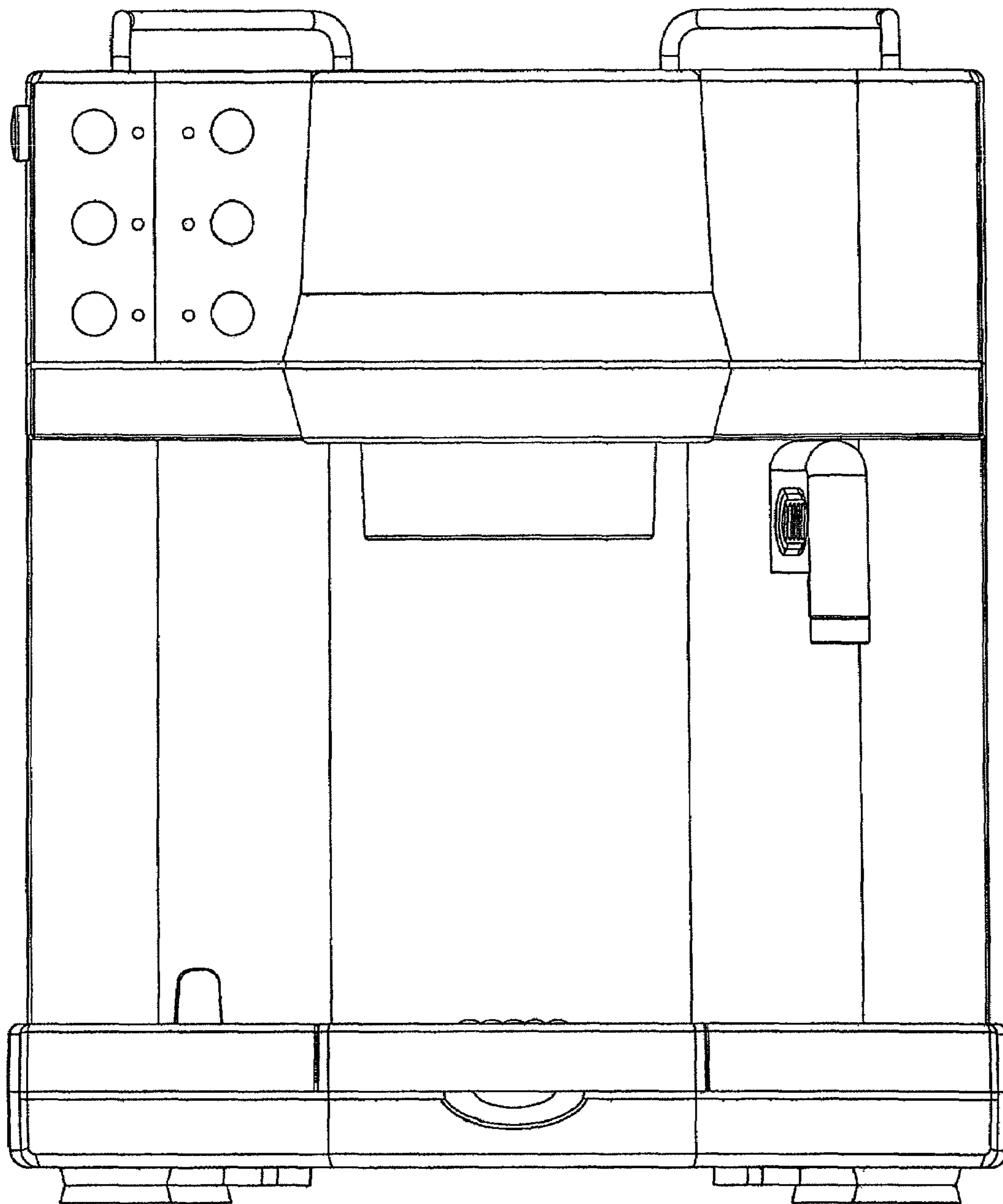


Figure 2

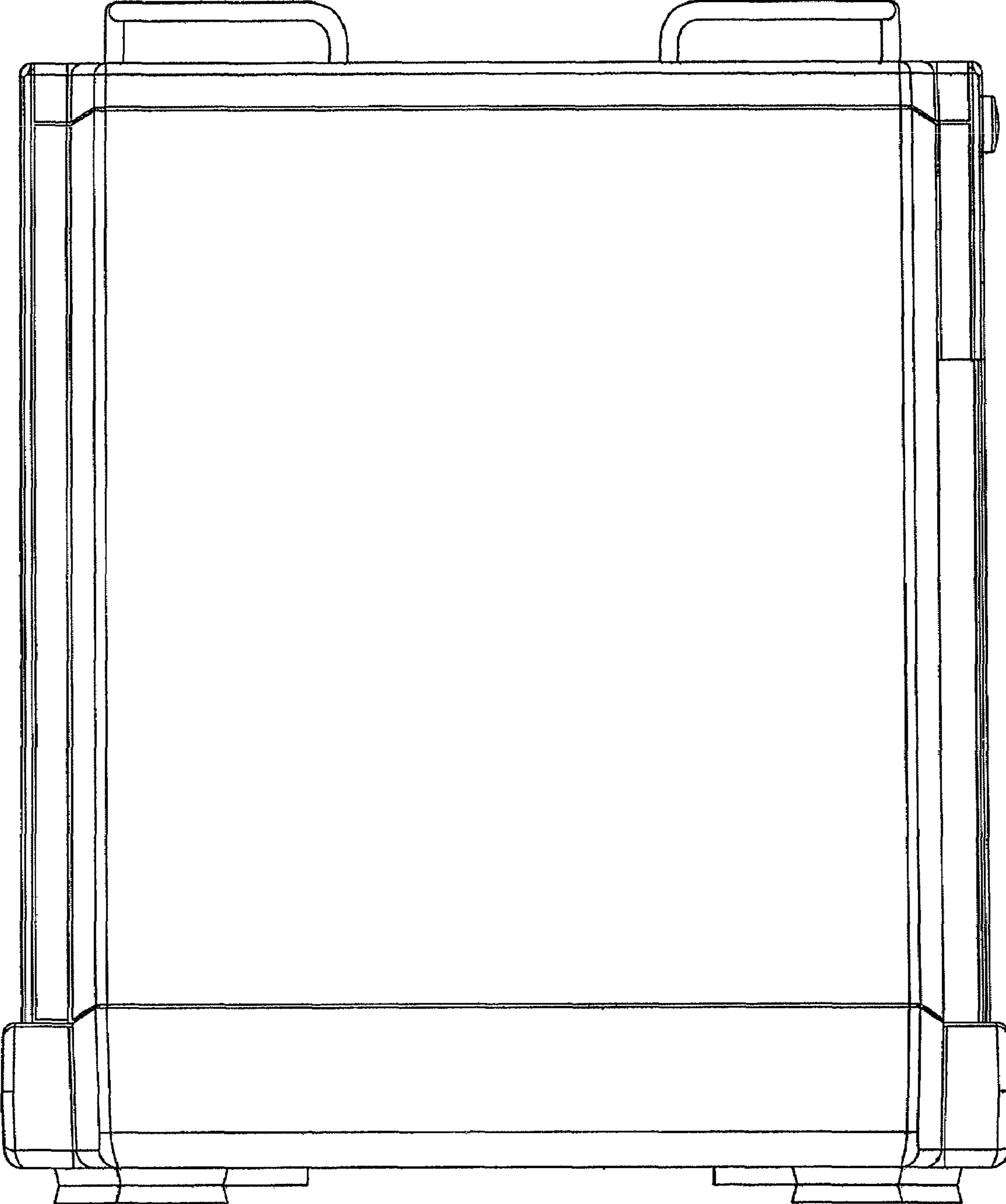


Figure 3

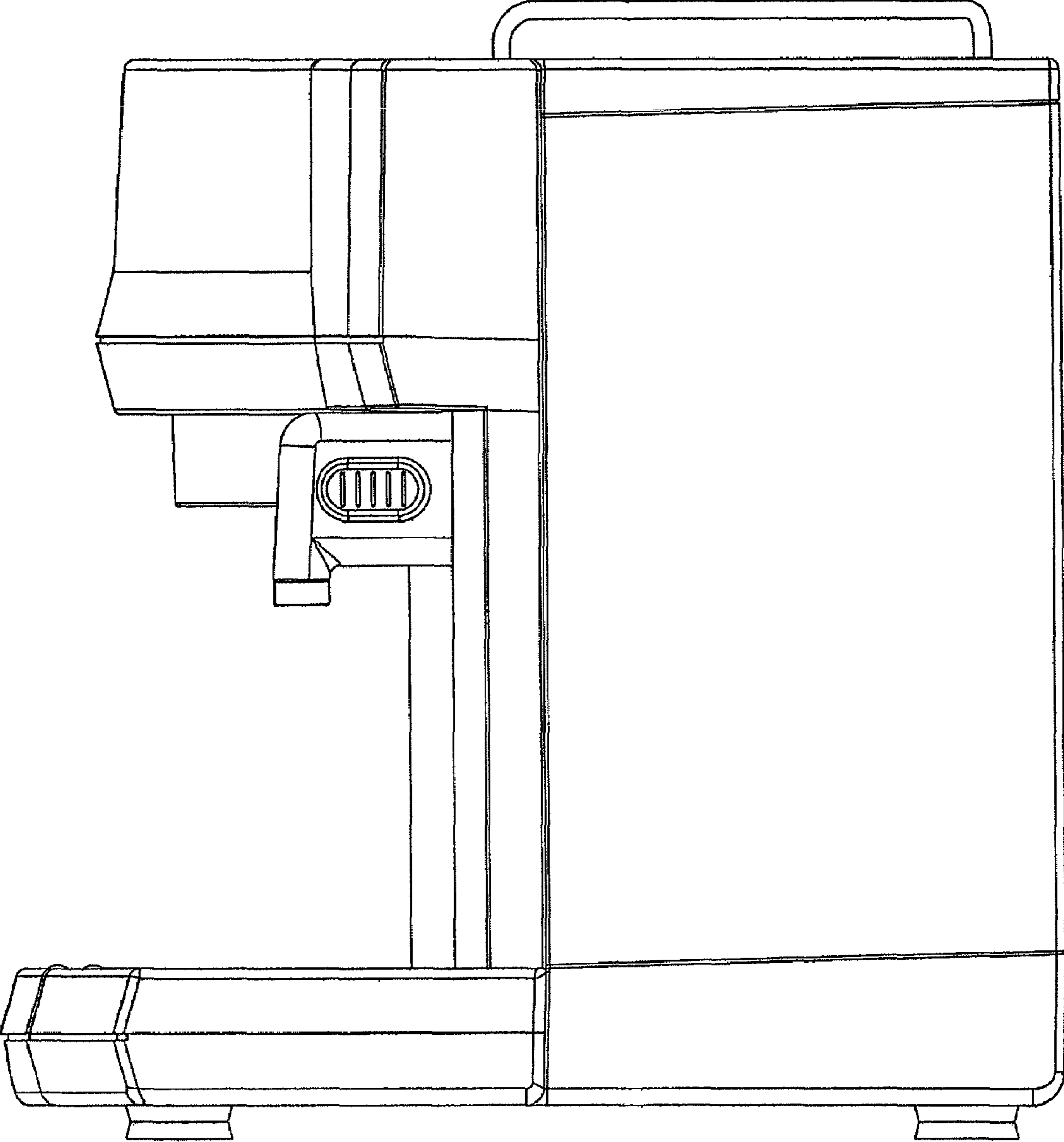


Figure 4

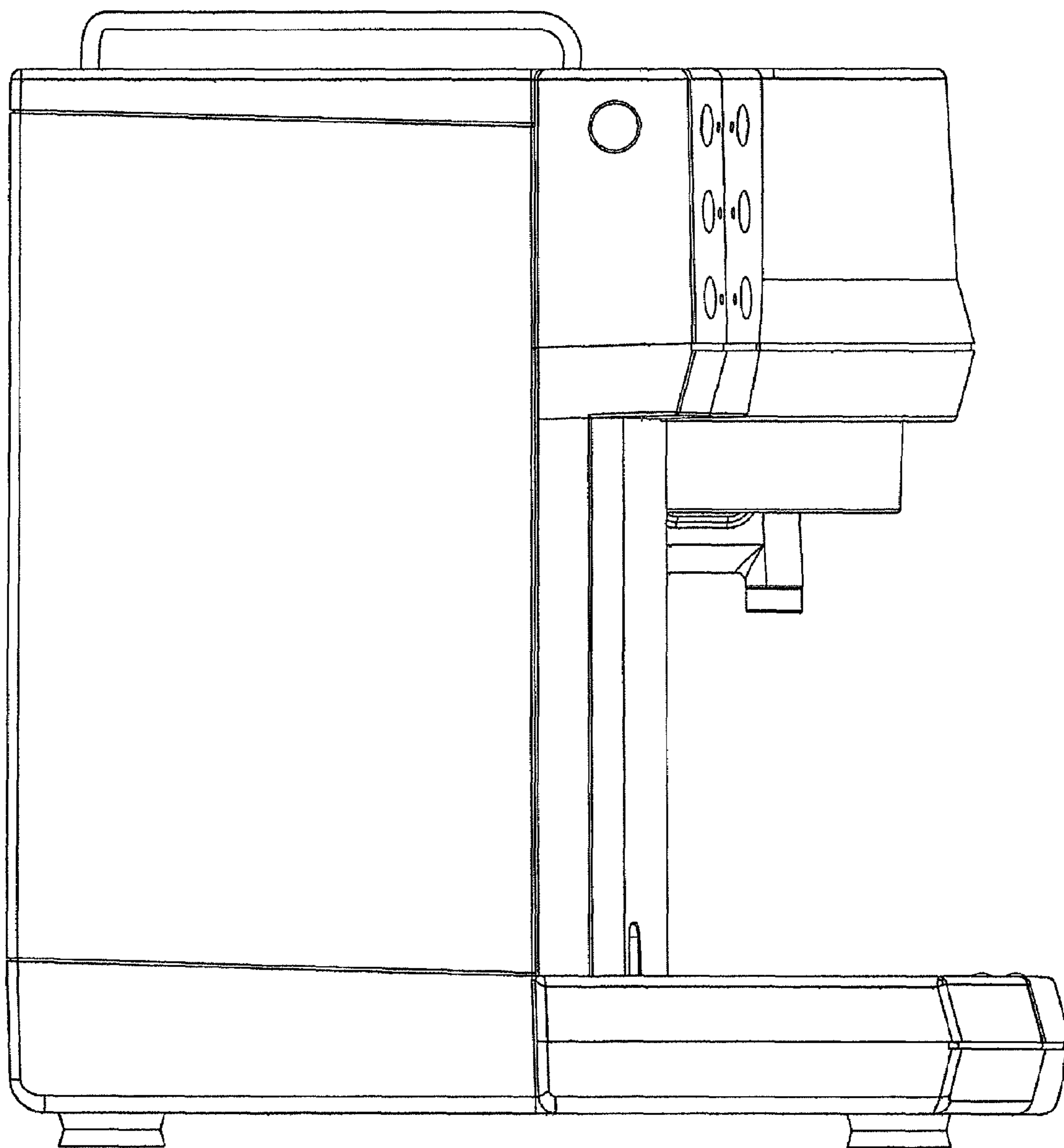


Figure 5

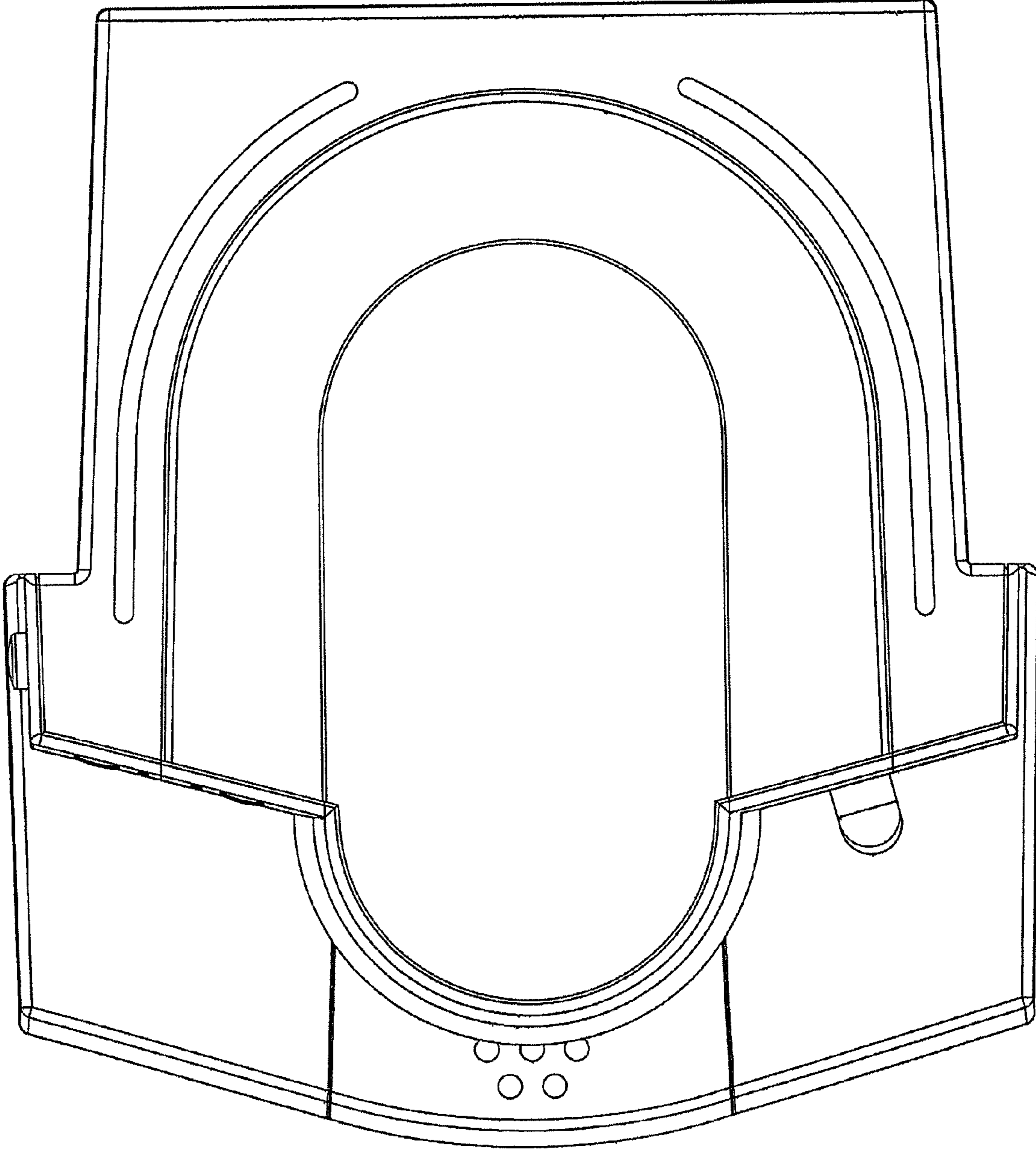


Figure 6

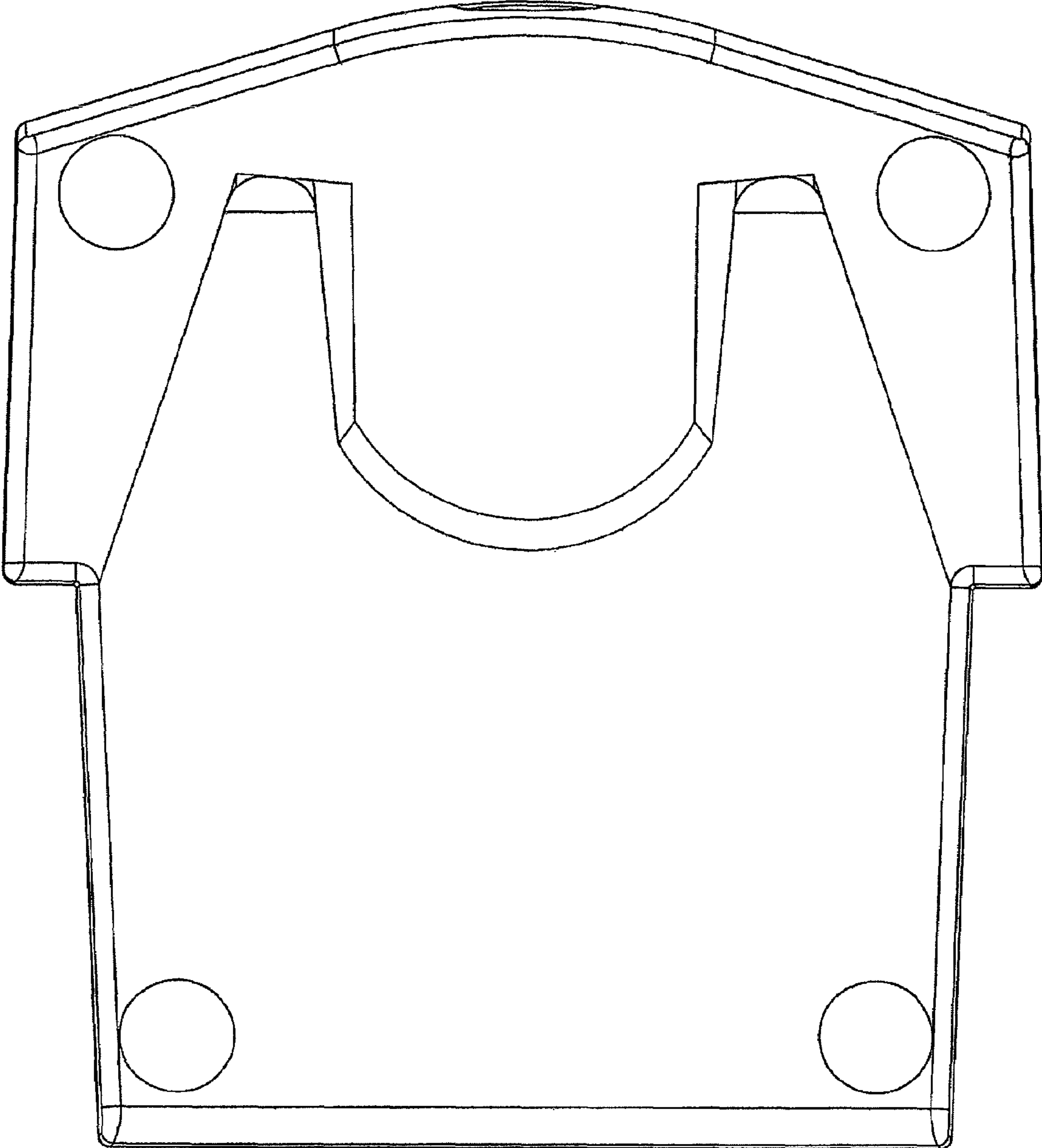


Figure 7