



US00D607252S

(12) **United States Design Patent**
Meyer

(10) **Patent No.:** **US D607,252 S**
(45) **Date of Patent:** **** Jan. 5, 2010**

(54) **HOLDER FOR ELECTRIC TOOTHBRUSH HEADS**

(76) Inventor: **Henning Meyer**, Miesbacher Str. 13, Gmund (DE) 83707

(**) Term: **14 Years**

(21) Appl. No.: **29/332,655**

(22) Filed: **Feb. 21, 2009**

(30) **Foreign Application Priority Data**

Sep. 12, 2008 (DE) 40 2008 004 321

(51) **LOC (9) Cl.** **23-02**

(52) **U.S. Cl.** **D6/534; D6/567**

(58) **Field of Classification Search** D6/524,
D6/526, 527, 528, 534; 206/208, 228, 209,
206/209.1, 361, 362, 362.1, 362.2, 362.3;
211/13.1, 66, 70.6, 86.01, 87.01, 60.1
See application file for complete search history.

(56) **References Cited**

U.S. PATENT DOCUMENTS

- 3,217,891 A * 11/1965 Weaver 211/60.1
- D339,016 S * 9/1993 Combs D6/567
- D340,827 S * 11/1993 Hubbard D6/567
- D355,554 S * 2/1995 Phelps D6/567
- D405,634 S * 2/1999 Smith D6/574
- D438,415 S * 3/2001 Pohl D6/567
- D466,740 S * 12/2002 Lai-Han D6/534
- D481,572 S * 11/2003 Dretzka D6/534

D554,120 S * 10/2007 Hasegawa et al. D6/567

* cited by examiner

Primary Examiner—Brian N Vinson

(74) *Attorney, Agent, or Firm*—Smartpat PLC; Axel Nix

(57) **CLAIM**

I claim the ornamental design for a holder for electric toothbrush heads, as shown and described.

DESCRIPTION

FIG. 1 is a perspective front view of a holder for electric toothbrush heads showing my new design;

FIG. 2 is a perspective rear view of the holder for electric toothbrush heads;

FIG. 3 is a front view of the holder for electric toothbrush heads;

FIG. 4 is a top view of the holder for electric toothbrush heads;

FIG. 5 is a bottom view of the holder for electric toothbrush heads;

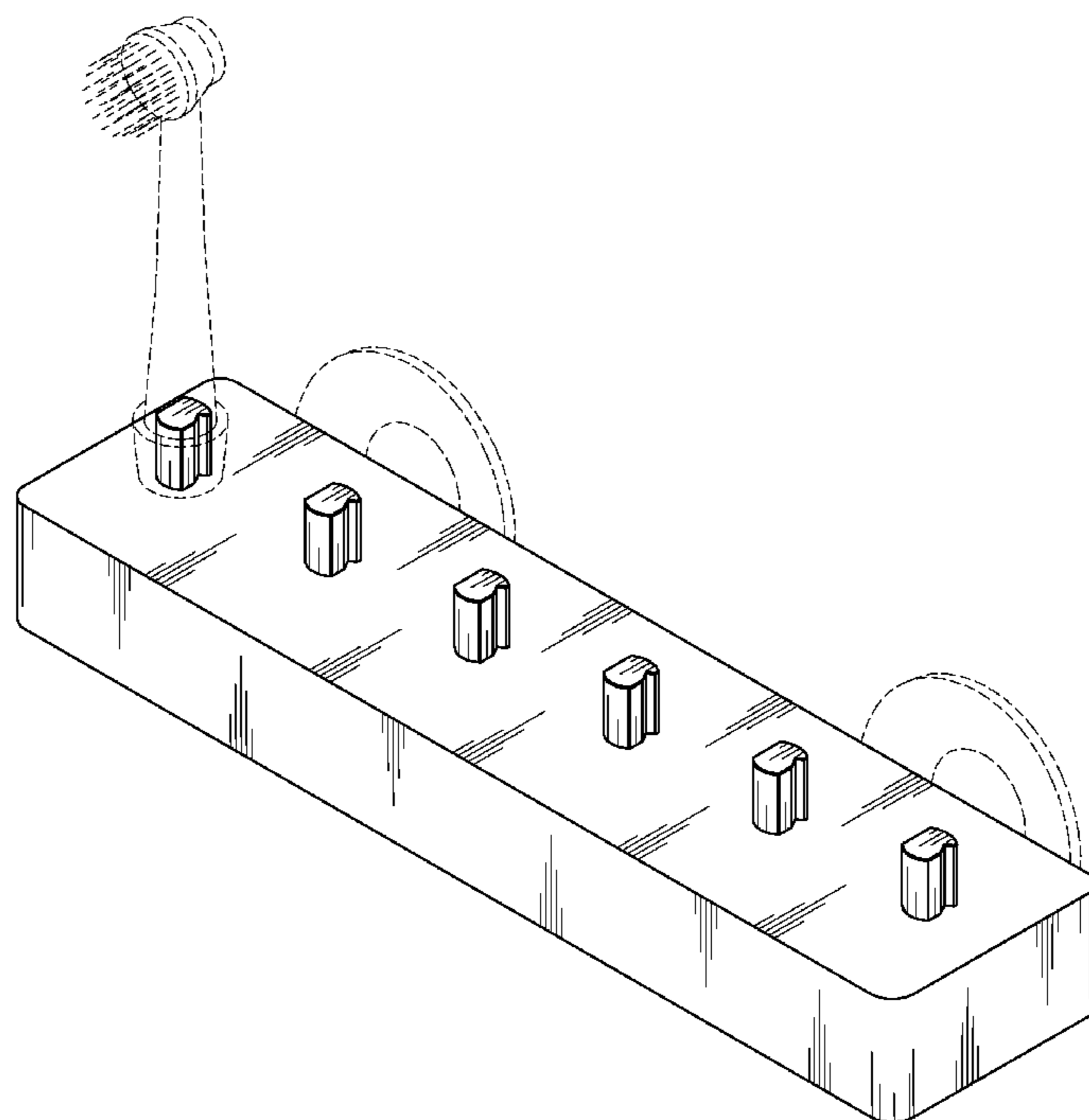
FIG. 6 is a rear view of the holder for electric toothbrush heads;

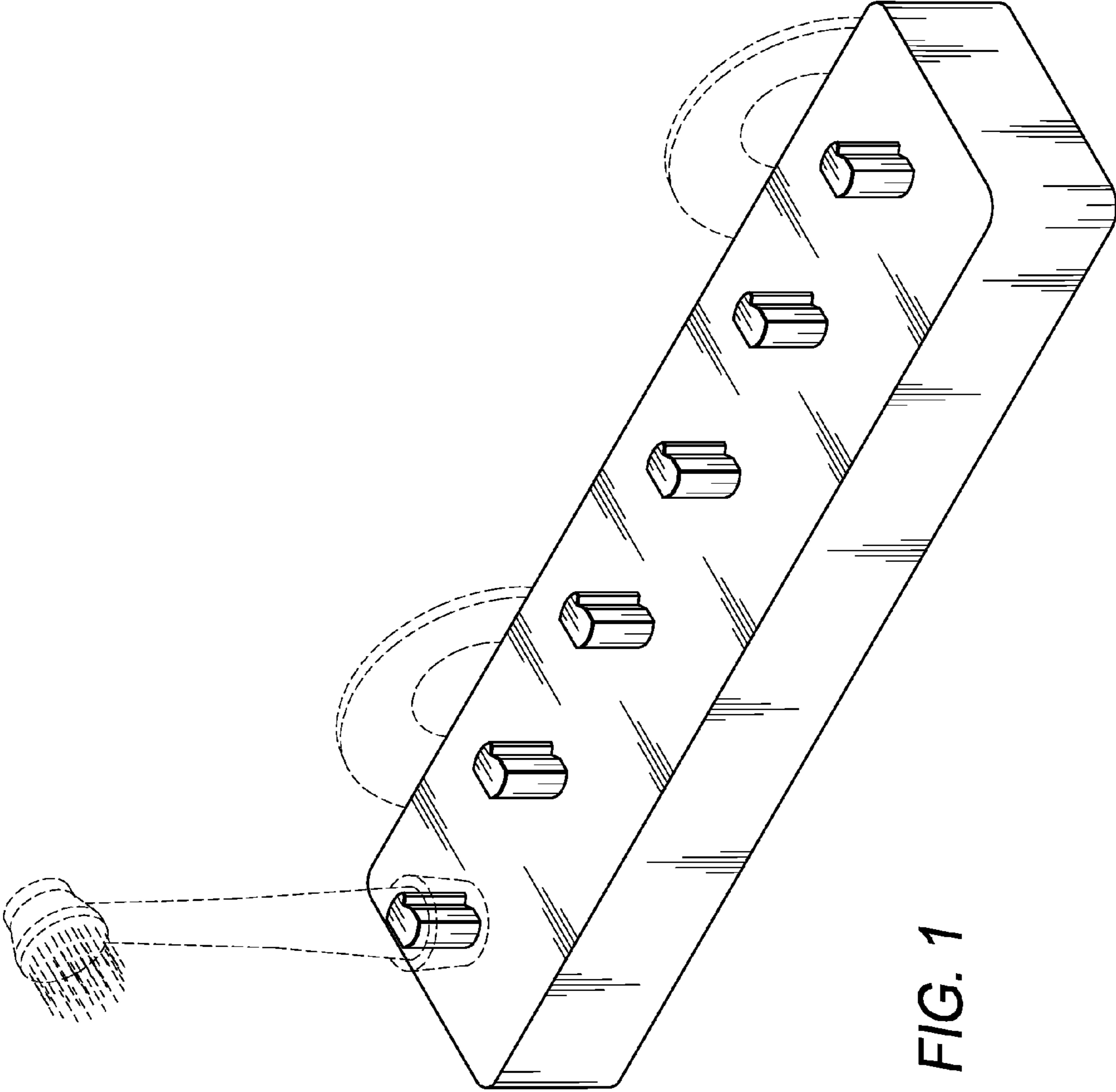
FIG. 7 is a left side view of the holder for electric toothbrush heads; and,

FIG. 8 is a right side view of the holder for electric toothbrush heads.

The broken line showing of an electric toothbrush head and suction cups are for or illustrative purposes only and form no part of the claimed design.

1 Claim, 4 Drawing Sheets





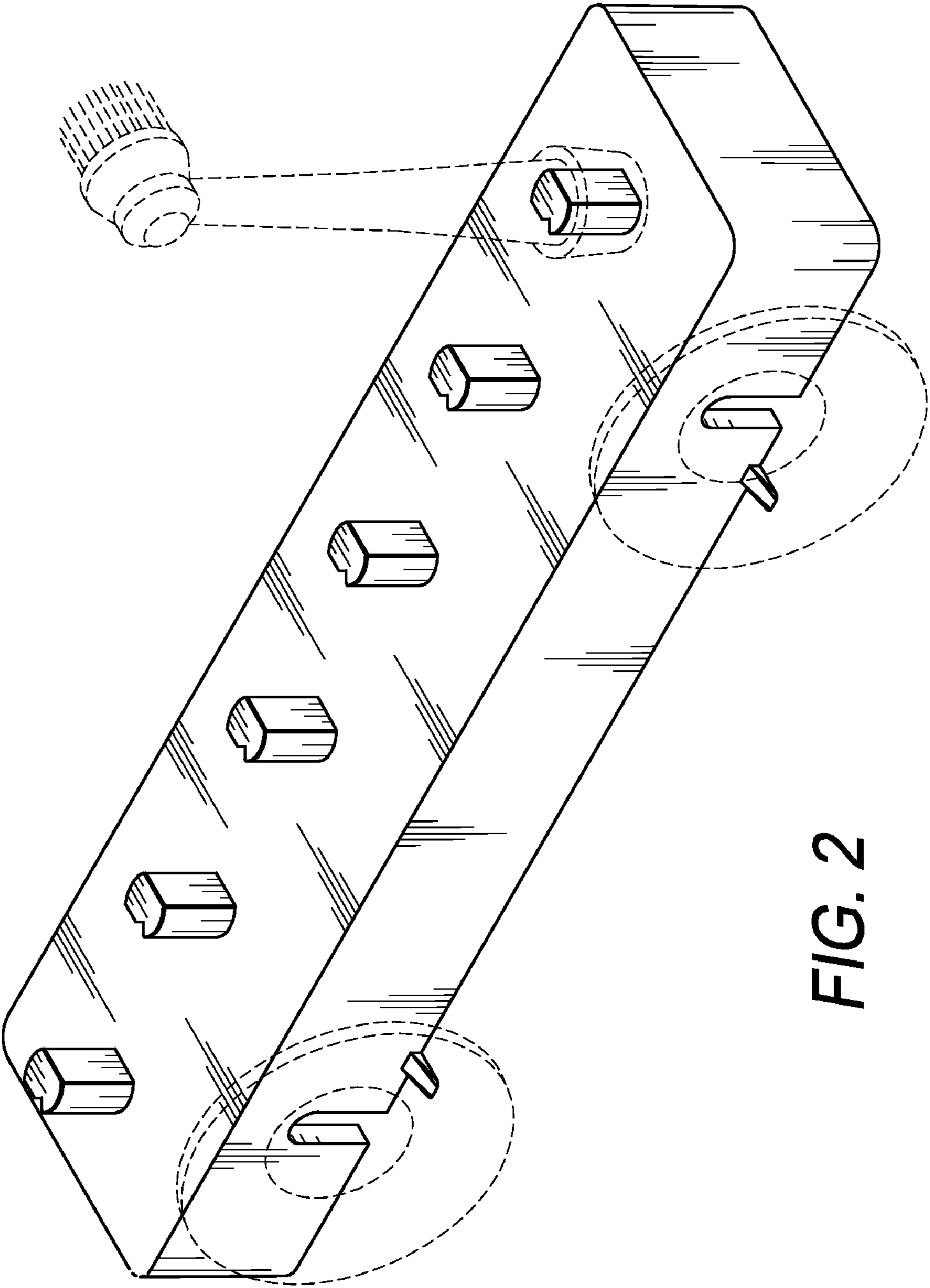


FIG. 2

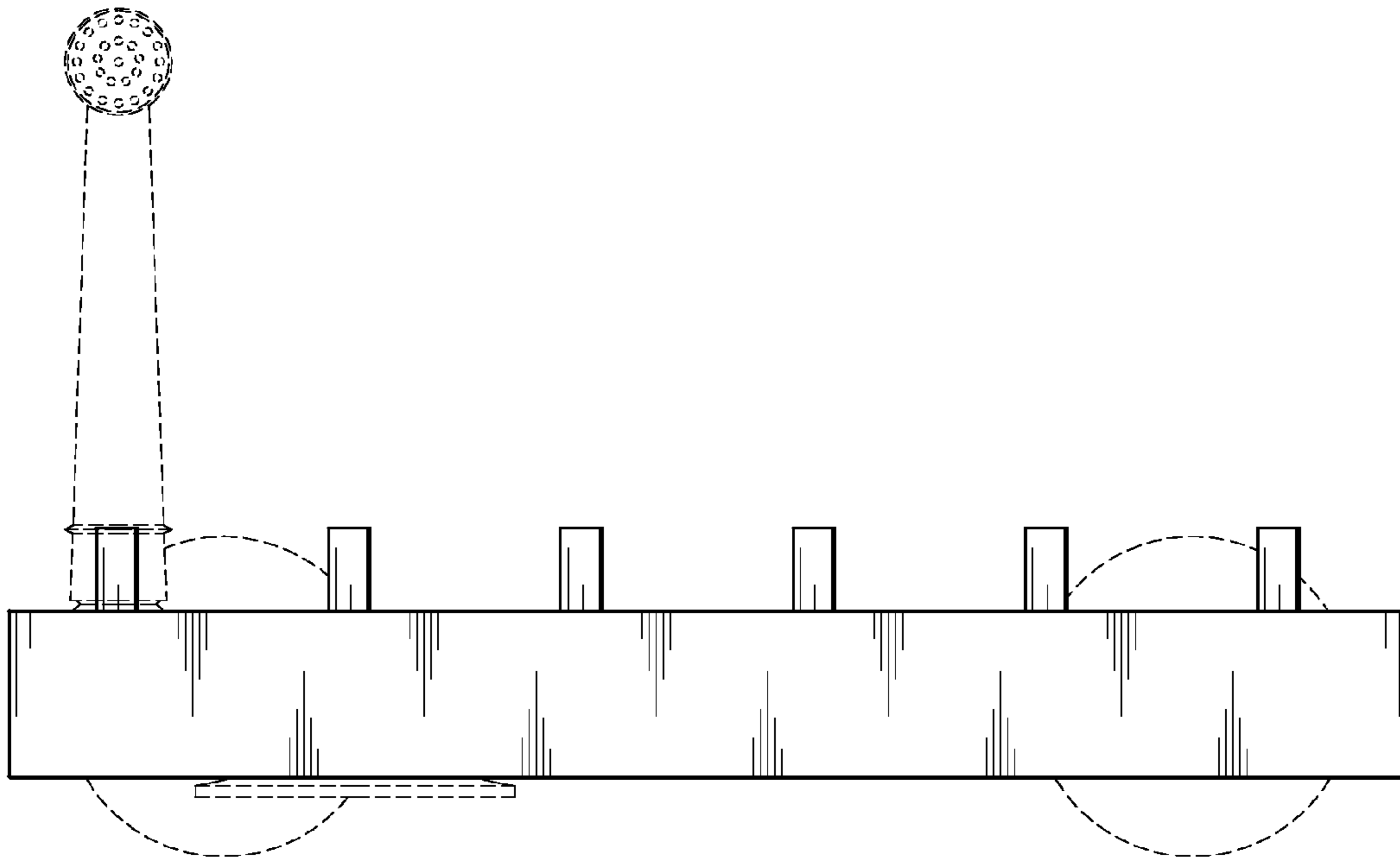


FIG. 3

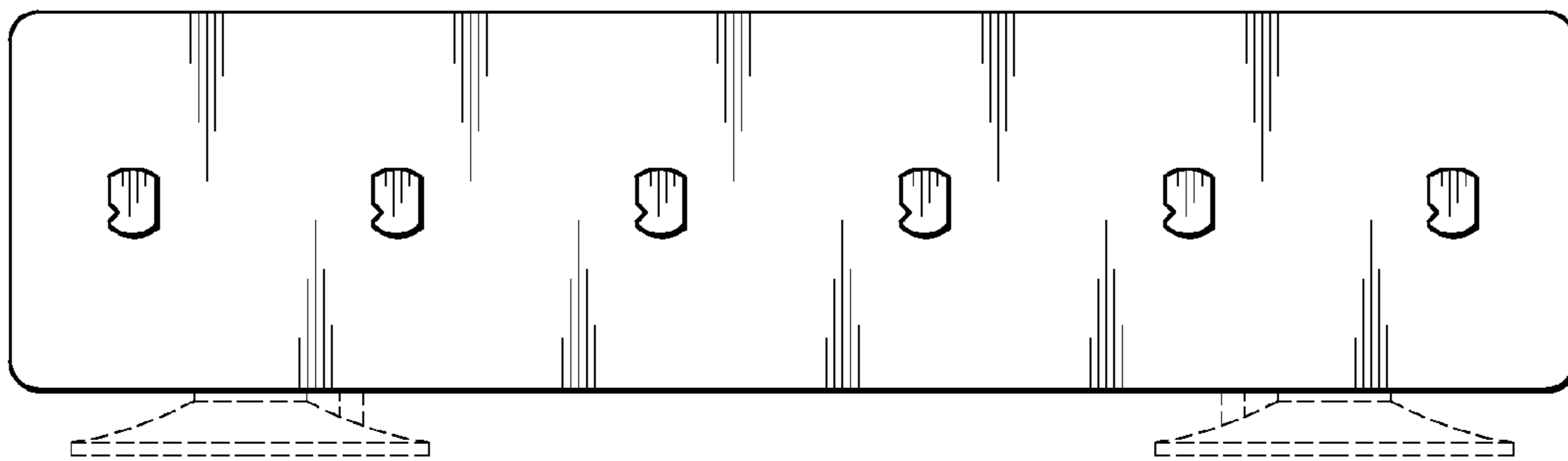


FIG. 4

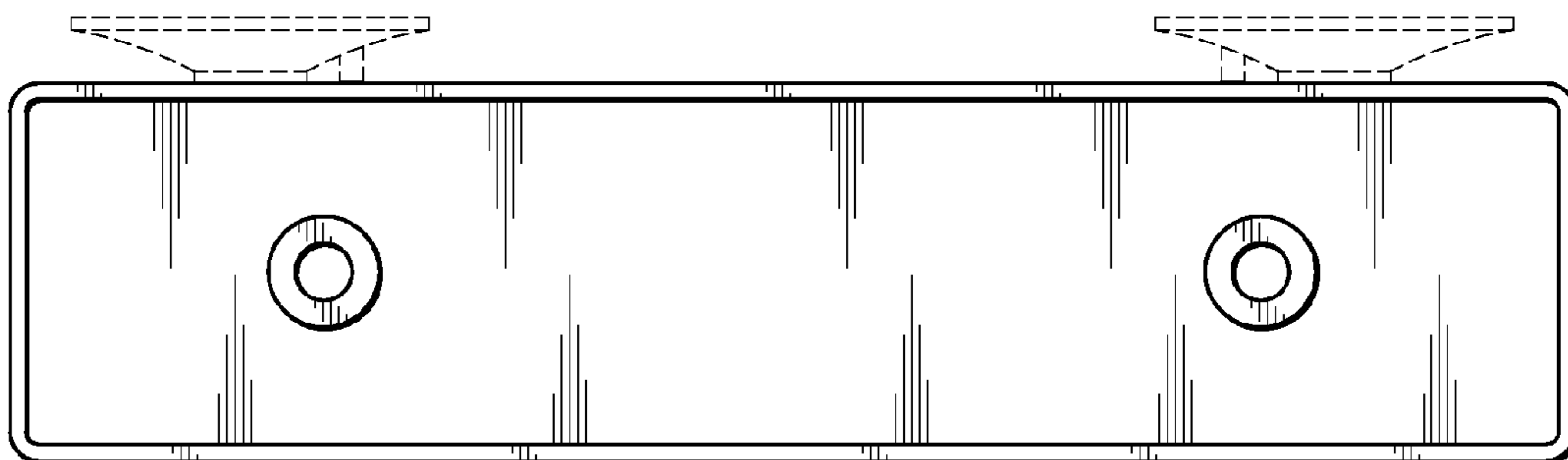


FIG. 5

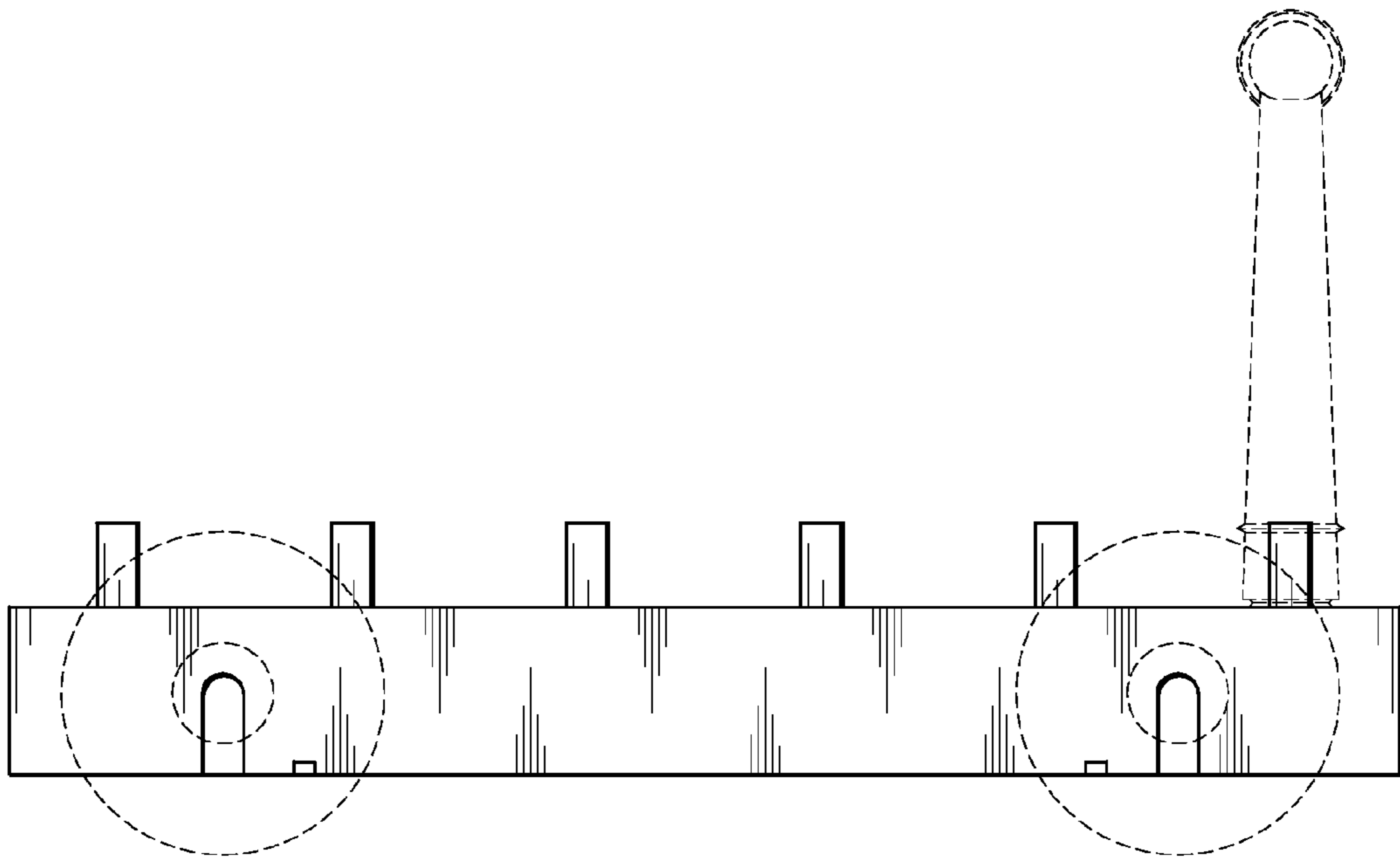


FIG. 6

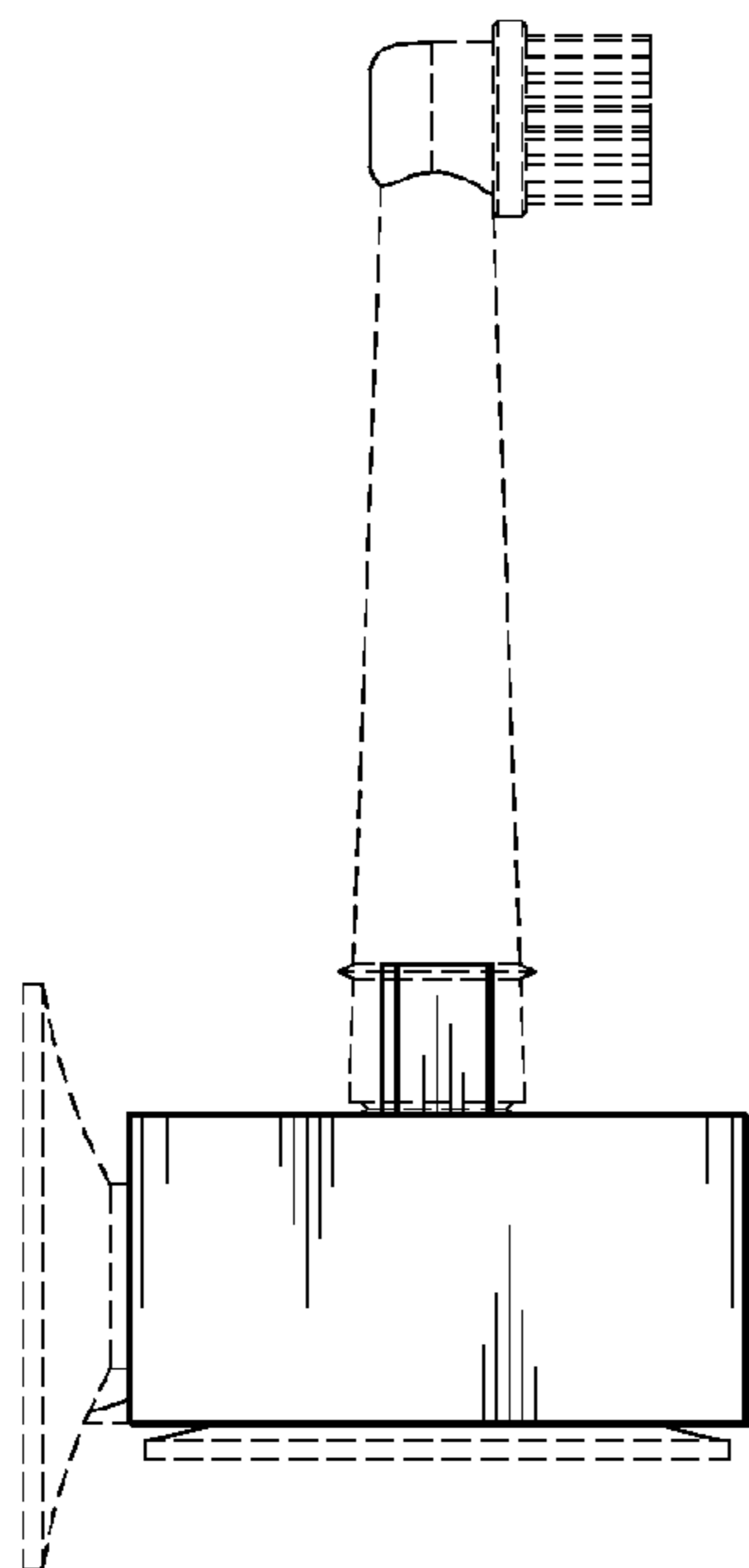


FIG. 7

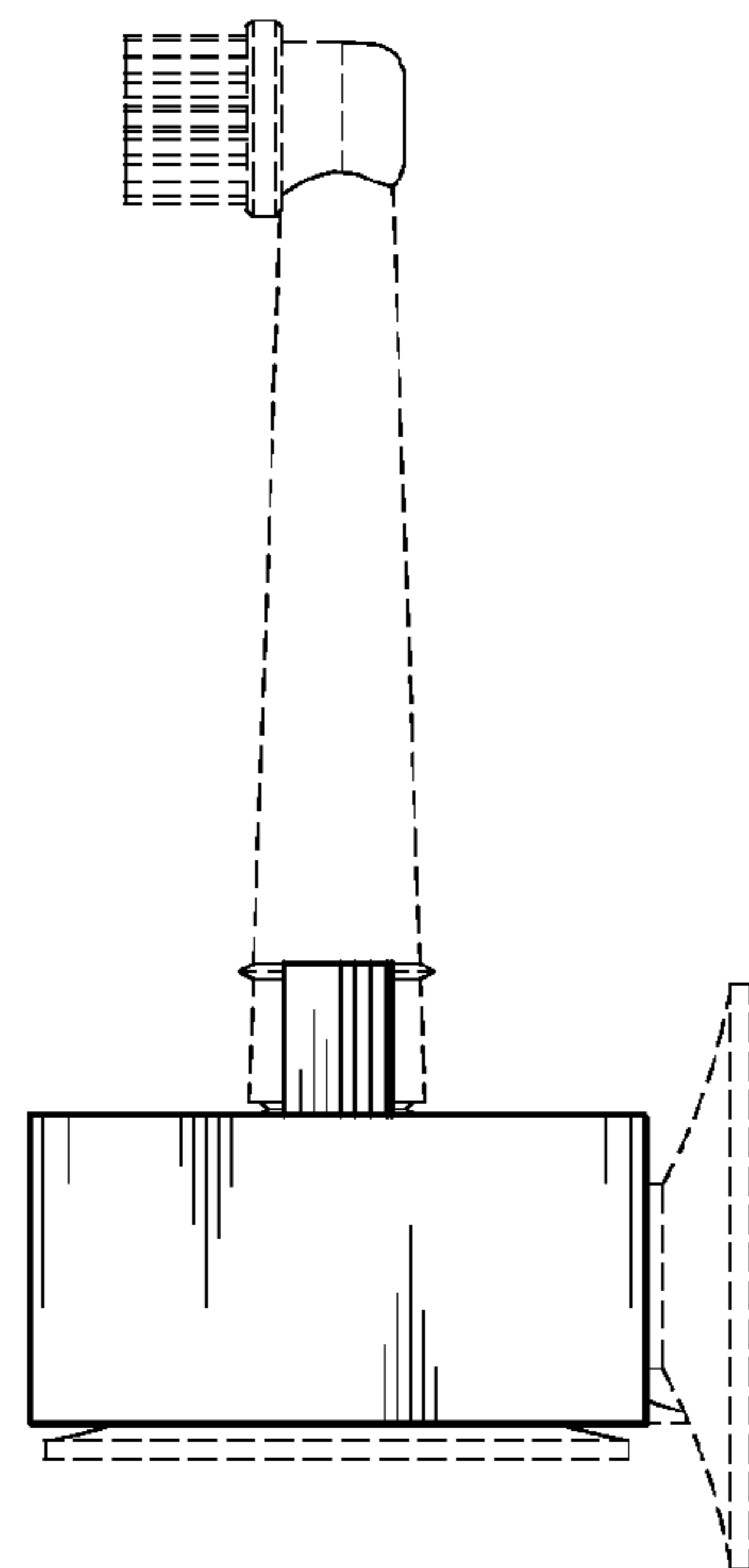


FIG. 8