

US00D607250S

(12) **United States Design Patent**  
**Lochen**

(10) **Patent No.:** **US D607,250 S**  
(45) **Date of Patent:** **\*\* \*Jan. 5, 2010**

- (54) **BASKETBALL THEMED DOUBLE DISPENSER**
- (75) Inventor: **Romain Lochen**, Champigny-sur-Marne (FR)
- (73) Assignee: **Vioplast SARL**, Champigny-sur-Marne (FR)
- (\* ) Notice: This patent is subject to a terminal disclaimer.
- (\*\*) Term: **14 Years**
- (21) Appl. No.: **29/340,559**
- (22) Filed: **Jul. 21, 2009**
- (51) **LOC (9) Cl.** ..... **20-02**
- (52) **U.S. Cl.** ..... **D6/515**
- (58) **Field of Classification Search** ..... D6/515, D6/517, 542, 545; 211/13.1; 221/45-46, 221/49, 66, 282, 284; 206/704, 528; D21/315, D21/318, 313, 712, 713, 714; D12/500, D12/503; D29/106; 222/71, 129, 133; D26/73  
See application file for complete search history.

(56) **References Cited**

**U.S. PATENT DOCUMENTS**

D203,066 S *	11/1965	Sawyer	.....	D7/589
D217,970 S *	7/1970	Gardella et al.	.....	D6/515
D345,663 S *	4/1994	Hartman et al.	.....	D6/515
D373,037 S *	8/1996	Lotti	.....	D6/515
D410,699 S *	6/1999	Herlitz et al.	.....	D21/318
D410,700 S *	6/1999	Herlitz et al.	.....	D21/318
D414,636 S *	10/1999	Wiese	.....	D6/515
D418,004 S	12/1999	Taylor, Jr.		
D431,155 S	9/2000	Cragg		
D446,267 S	8/2001	Feeney et al.		
D452,943 S *	1/2002	Gallegos	.....	D29/106
D464,221 S *	10/2002	Rieck	.....	D6/515
D475,226 S *	6/2003	Wagner	.....	D6/515
D480,243 S *	10/2003	Edwards et al.	.....	D6/515
D483,424 S	12/2003	Lowinger		
D491,403 S *	6/2004	Gervasi	.....	D6/515
D496,137 S *	9/2004	Byrne	.....	D30/160

D501,343 S *	2/2005	Miesieski et al.	.....	D6/515
D508,543 S *	8/2005	Ota	.....	D21/713
D510,969 S	10/2005	Miller		
D511,191 S	11/2005	Fryer		
D517,137 S	3/2006	Kuehne et al.		
D540,408 S	4/2007	Laliberty et al.		
D541,088 S *	4/2007	Nesci	.....	D6/515
D543,250 S	5/2007	Laliberty et al.		
D551,375 S *	9/2007	Nunes	.....	D26/73
D551,376 S *	9/2007	Nunes	.....	D26/73
D558,285 S *	12/2007	Avis et al.	.....	D21/713
D563,145 S	3/2008	Henry		
D563,479 S *	3/2008	Wei	.....	D21/318
D569,927 S *	5/2008	Kuehne et al.	.....	D21/713
D570,431 S *	6/2008	Krysiak	.....	D21/712
D575,433 S *	8/2008	Nunes	.....	D26/73
D585,223 S *	1/2009	Rust	.....	D6/515
D587,855 S *	3/2009	Nimmons et al.	.....	D29/106

\* cited by examiner

*Primary Examiner*—Brian N Vinson

(74) *Attorney, Agent, or Firm*—Gallagher & Dawsey Co., LPA; Michael J. Gallagher; David J. Dawsey

(57) **CLAIM**

I claim the ornamental design for a basketball themed double dispenser, as shown and described.

**DESCRIPTION**

FIG. 1 is a perspective view of a basketball themed double dispenser showing my new design;

FIG. 2 is a front elevation view thereof;

FIG. 3 is a rear elevation view thereof;

FIG. 4 is a right side elevation view thereof;

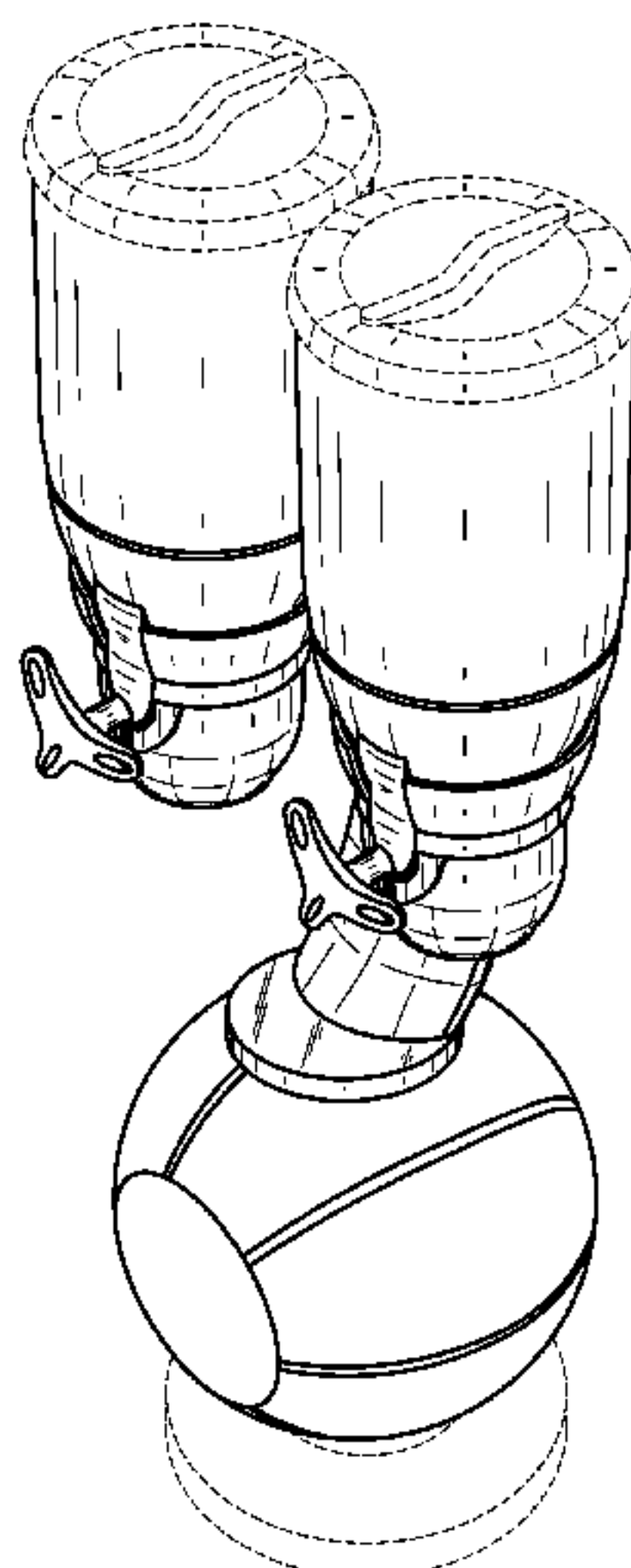
FIG. 5 is a left side elevation view thereof;

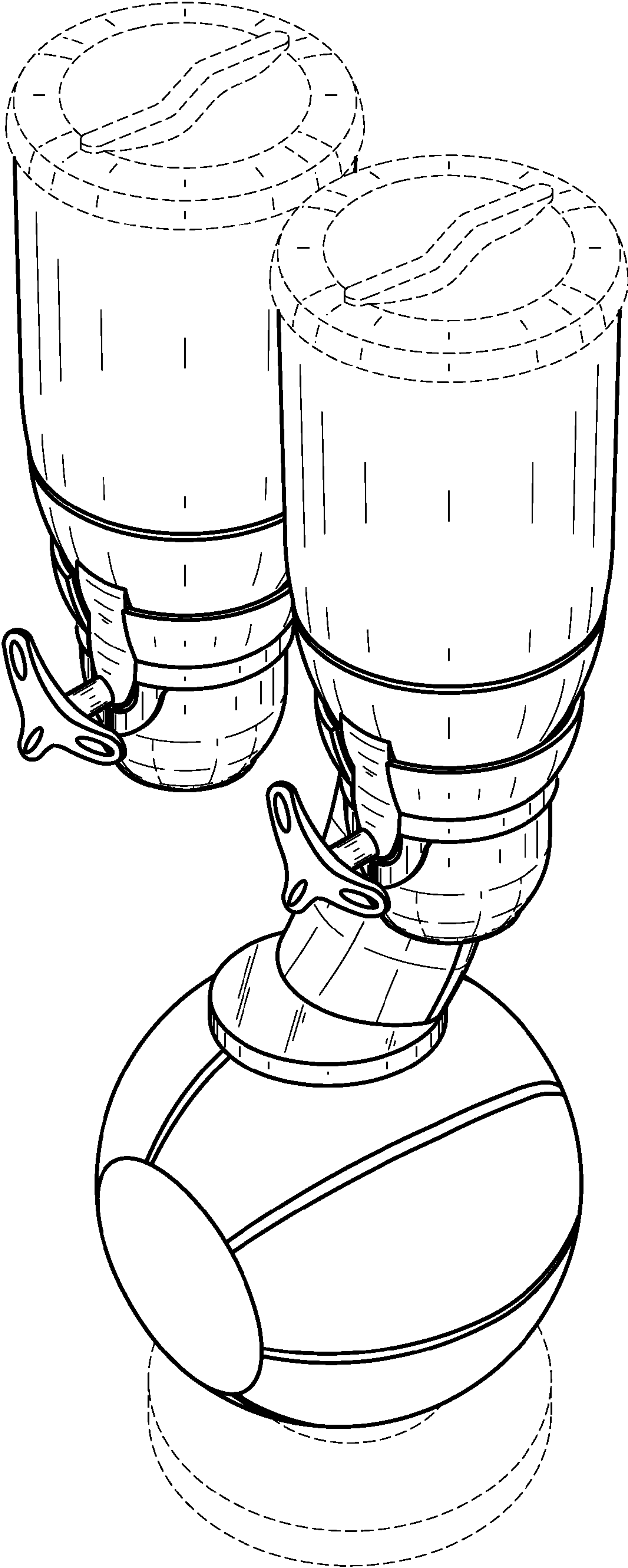
FIG. 6 is a top plan view thereof; and,

FIG. 7 is a bottom plan view thereof.

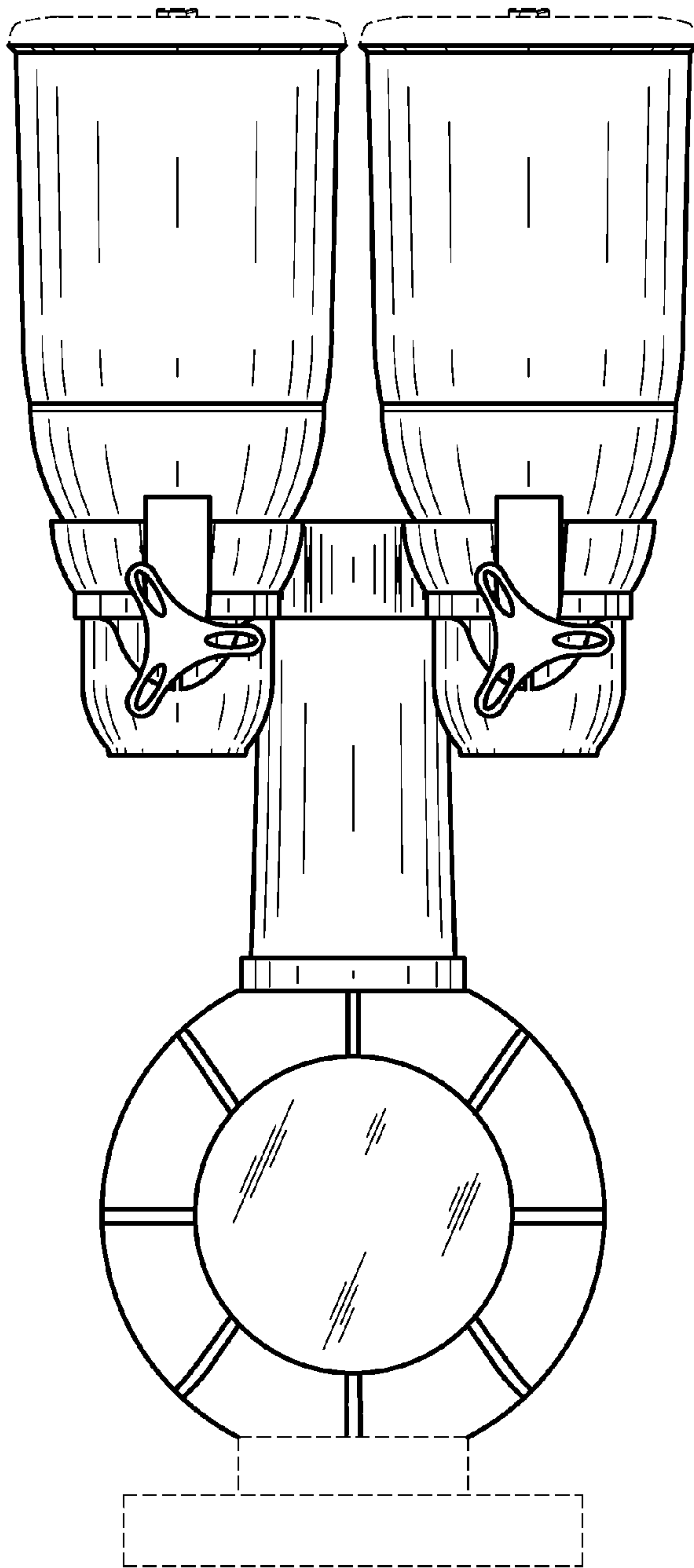
The broken-line disclosure in the views is understood to represent portions of the article in which the claimed design is embodied, but which form no part of the claimed design.

**1 Claim, 4 Drawing Sheets**

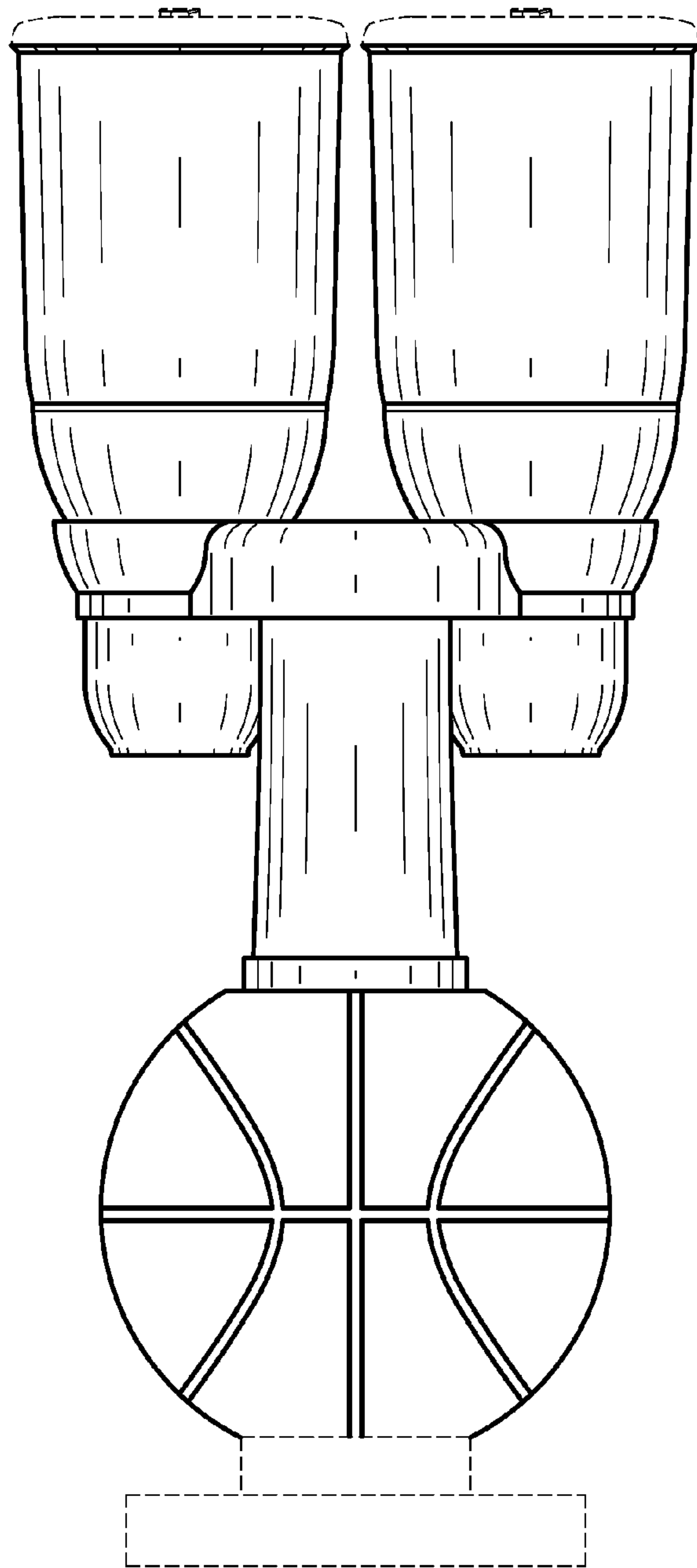




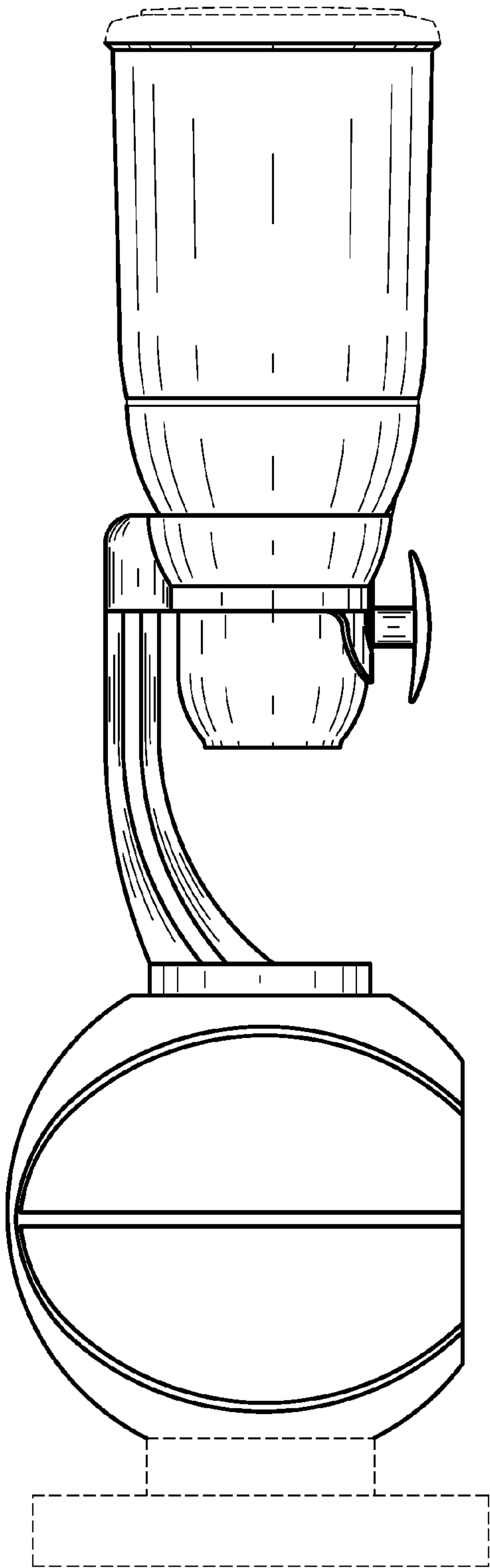
*Fig. 1*



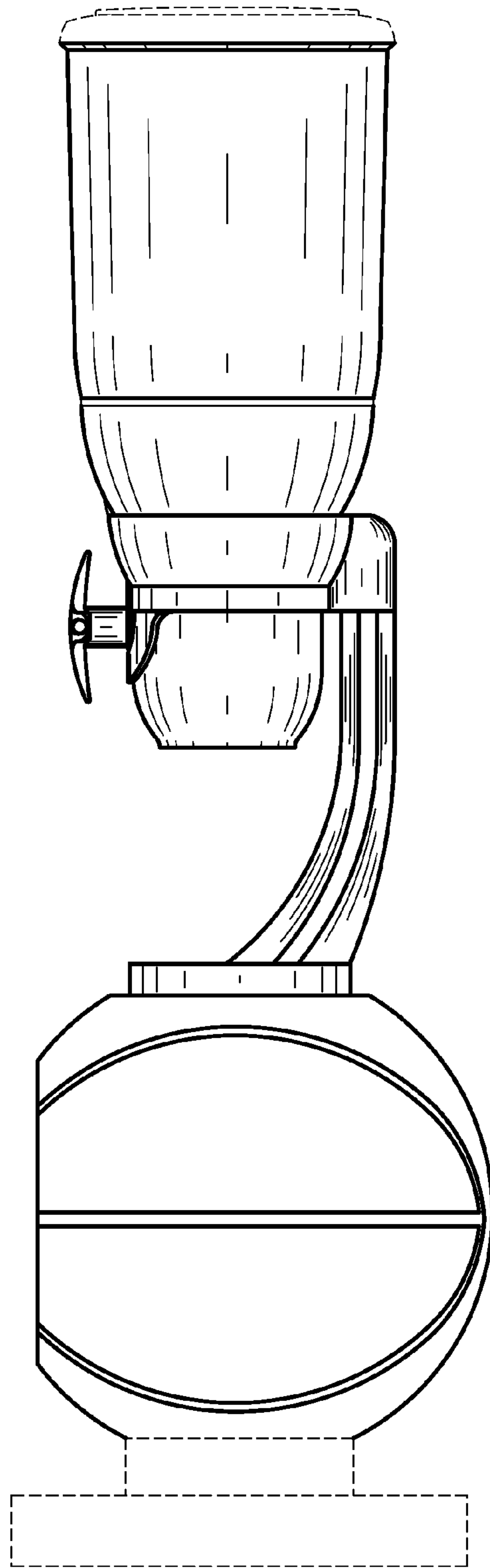
*Fig. 2*



*Fig. 3*

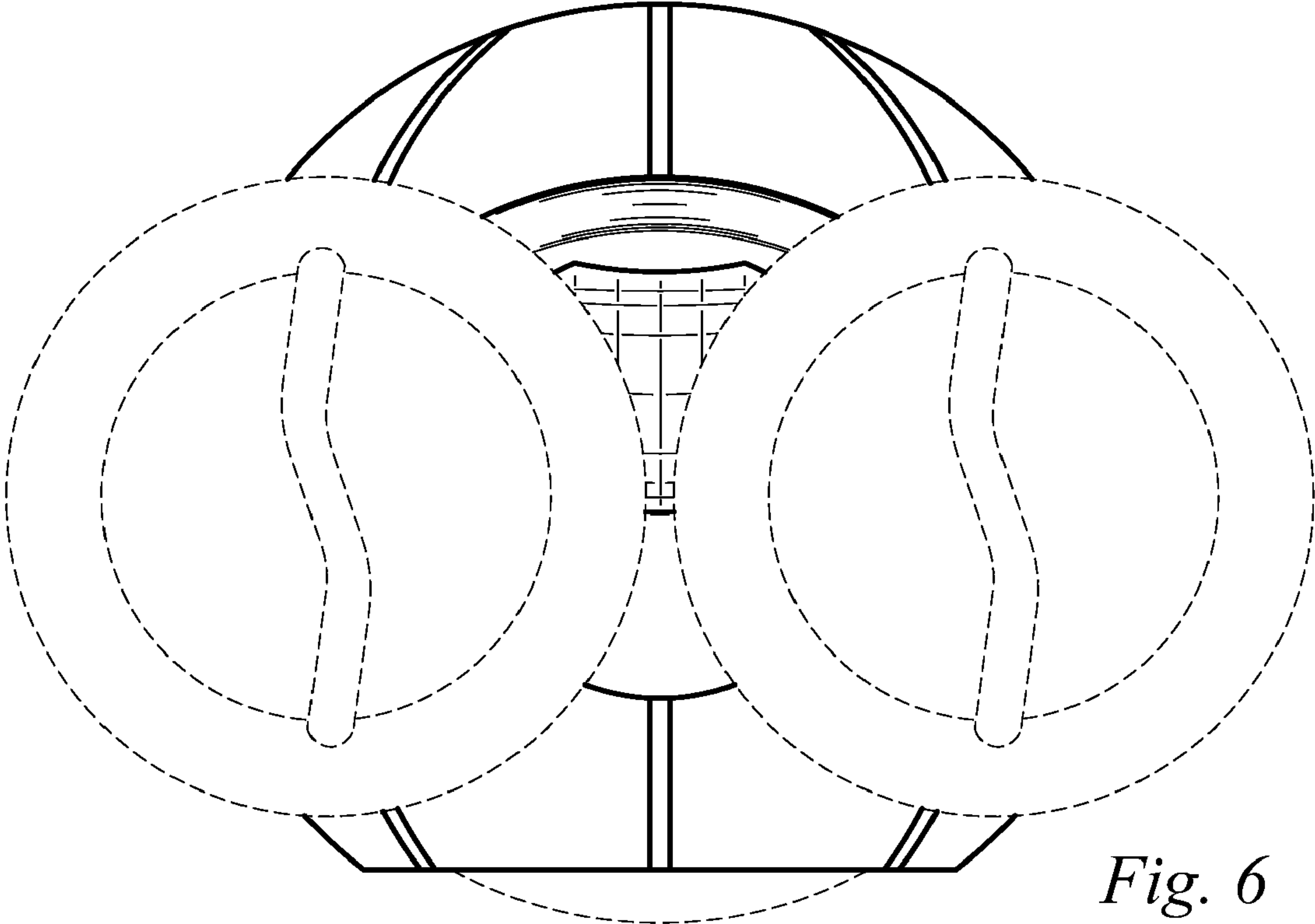


*Fig. 4*

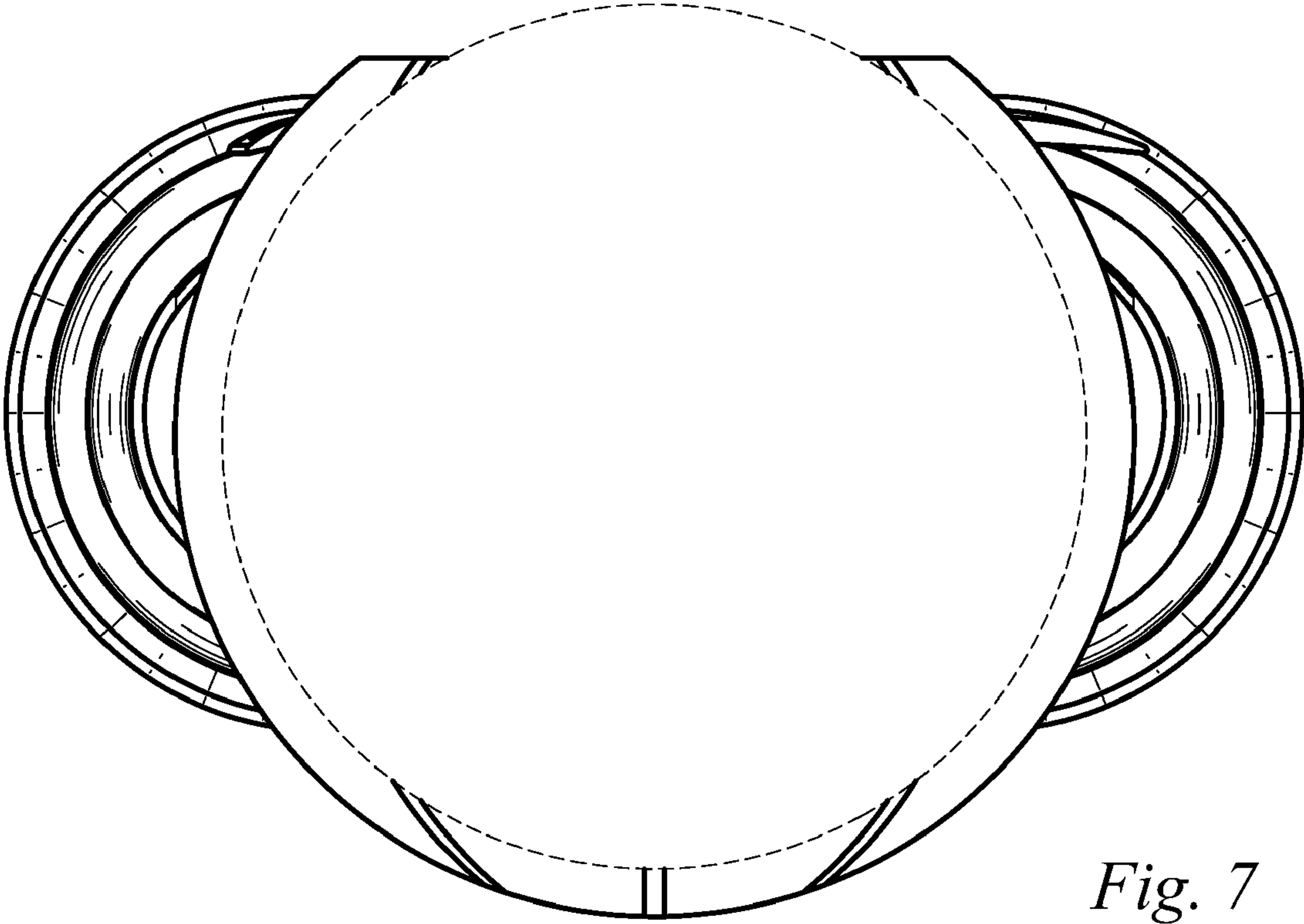


*Fig. 5*





*Fig. 6*



*Fig. 7*