



US00D607244S

(12) **United States Design Patent**  
**Nielsen**

(10) **Patent No.:** **US D607,244 S**  
(45) **Date of Patent:** **\*\* Jan. 5, 2010**

- (54) **SUPPORT FRAME FOR SHELVES**
- (75) Inventor: **Britta Claire Nielsen**, Seattle, WA (US)
- (73) Assignee: **Slam Brands, Inc.**, Redmond, WA (US)
- (\*\*) Term: **14 Years**
- (21) Appl. No.: **29/345,359**
- (22) Filed: **Oct. 14, 2009**
- (51) **LOC (9) Cl.** ..... **06-04**
- (52) **U.S. Cl.** ..... **D6/511**
- (58) **Field of Classification Search** ..... D6/491-492,  
D6/494-495, 332, 396, 329, 500-502, 509-513;  
211/24, 27, 33, 90.01, 119.003, 153  
See application file for complete search history.

(56) **References Cited**

U.S. PATENT DOCUMENTS

D288,509 S *	3/1987	van de Oudeweetering ..	D6/496
D334,101 S *	3/1993	Moore .....	D6/462
D478,748 S *	8/2003	Liu .....	D6/495
D492,637 S *	7/2004	Thompson, Sr. ....	D12/223
D502,617 S *	3/2005	Chang .....	D6/480
D568,067 S *	5/2008	Cohen .....	D6/475
D578,325 S *	10/2008	Warriner .....	D6/495

\* cited by examiner

*Primary Examiner*—Elizabeth A Albert  
*Assistant Examiner*—Kelley A Donnelly

(74) *Attorney, Agent, or Firm*—Turocy & Watson, LLP;  
Thomas F. Watson

(57) **CLAIM**

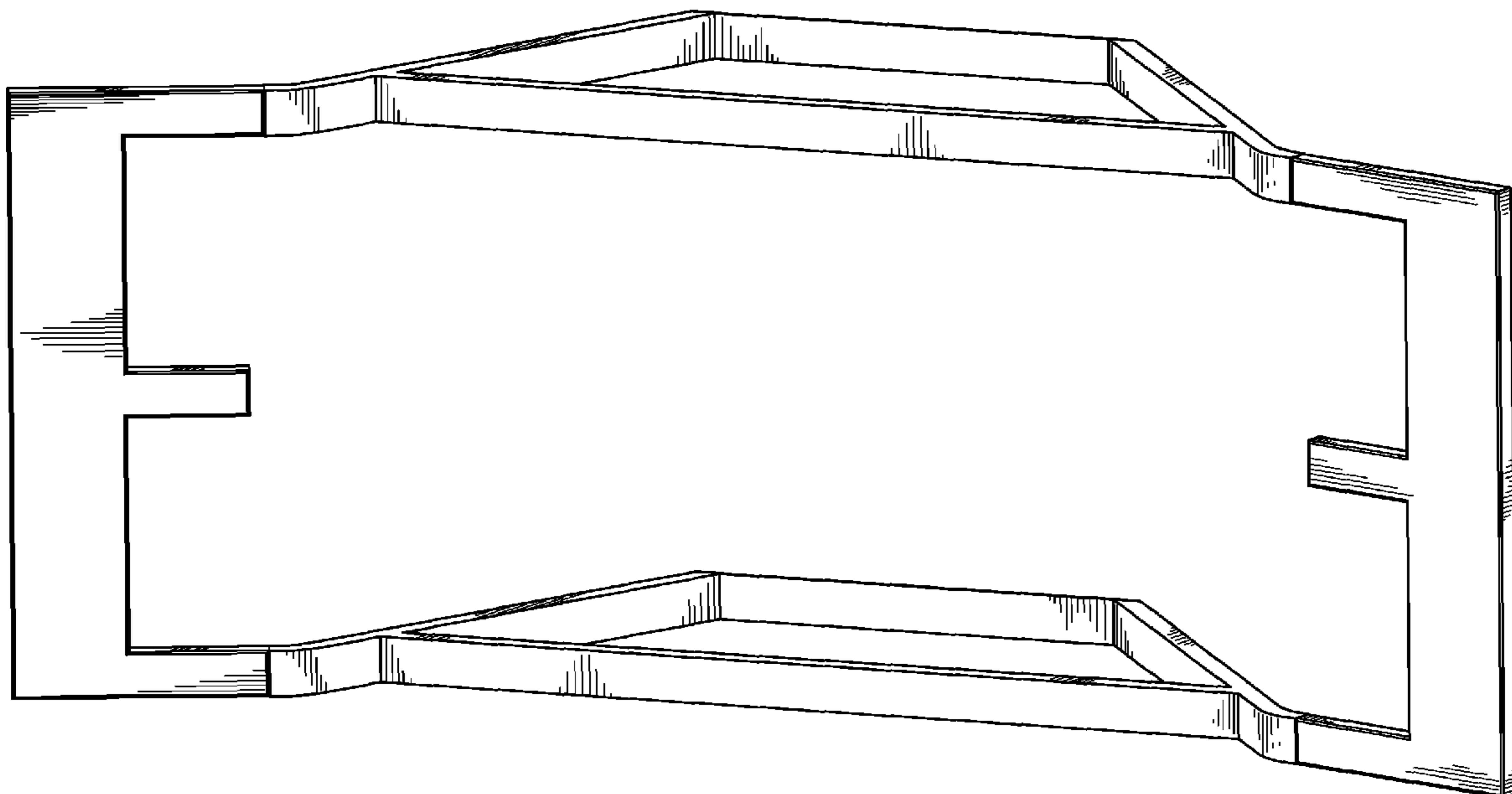
I claim the ornamental design for support frame for shelves,  
as shown and described.

**DESCRIPTION**

- FIG. 1 is a first perspective view of a support frame for shelves;
- FIG. 2 is a first perspective view without environmental elements;
- FIG. 3 is a second perspective view thereof;
- FIG. 4 is a second perspective view without environmental elements;
- FIG. 5 is an end view thereof, the other end being a mirror image;
- FIG. 6 is a front view thereof;
- FIG. 7 is a rear view thereof;
- FIG. 8 is a rear view without environmental elements;
- FIG. 9 is a top plan view thereof;
- FIG. 10 is a top plan view thereof without environmental elements; and,
- FIG. 11 is a bottom plan view thereof.

The dashed lines in the drawings are shown for environmental purposes and form no part of the claimed design.

**1 Claim, 11 Drawing Sheets**



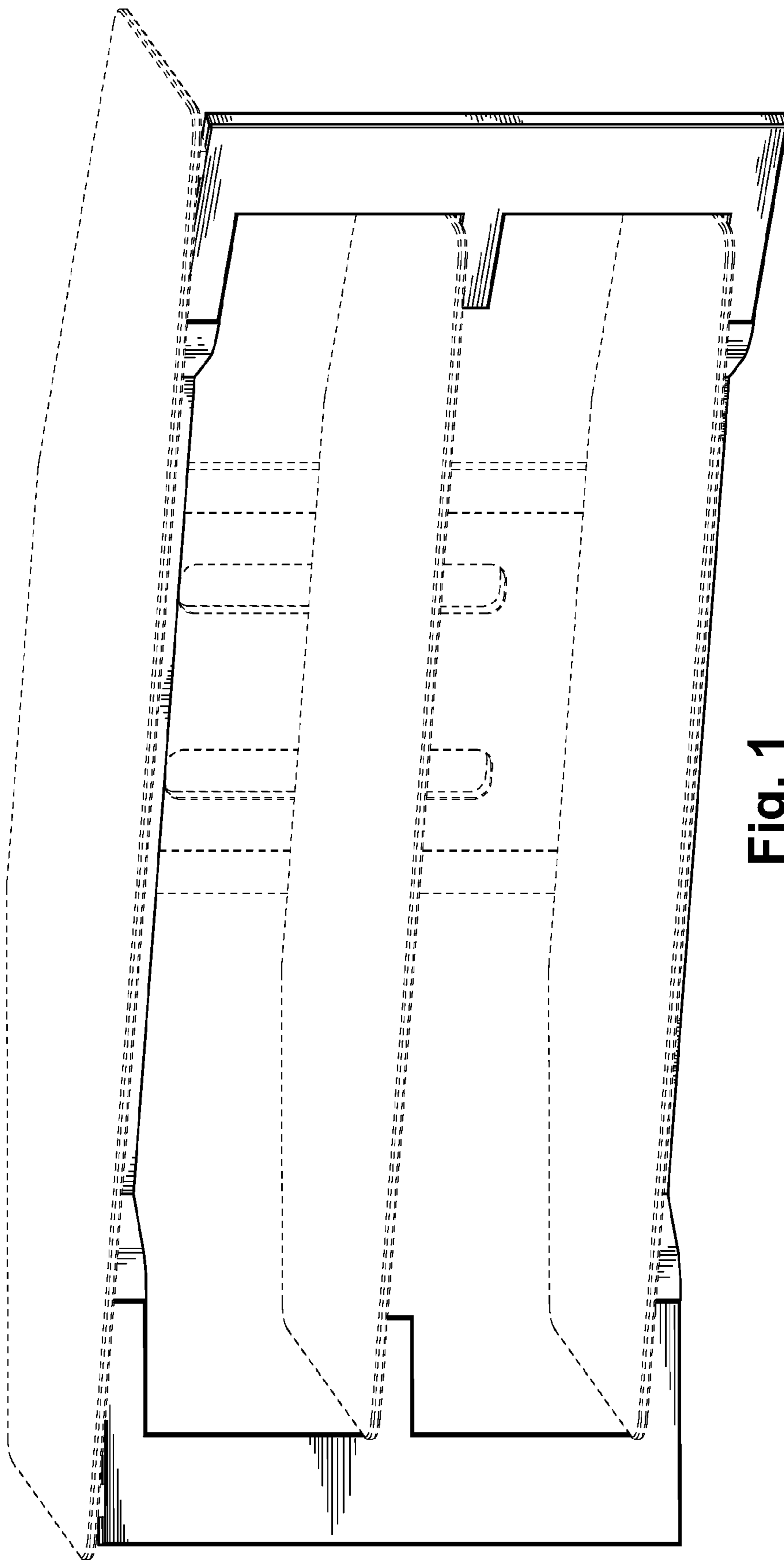


Fig. 1

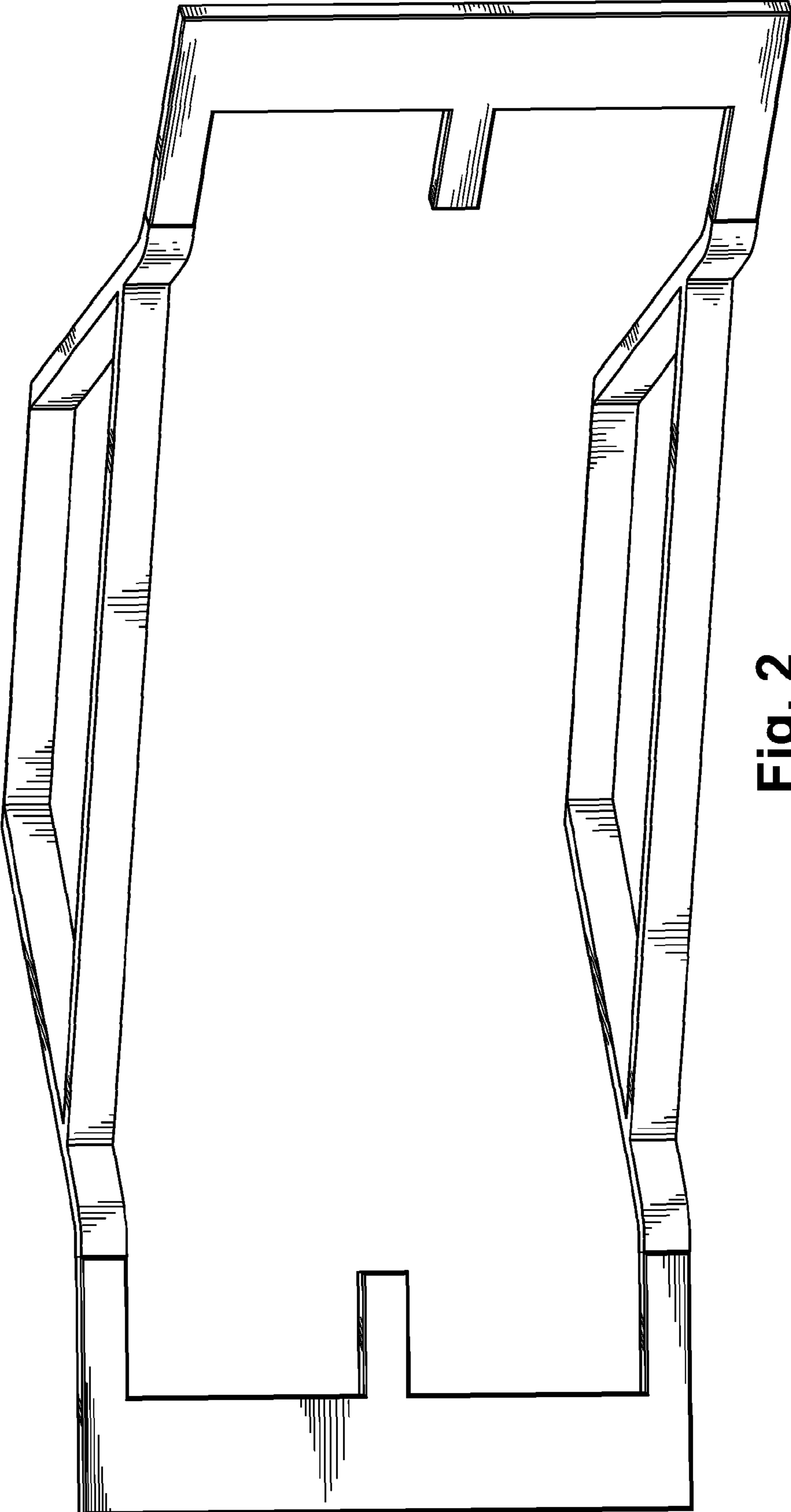


Fig. 2

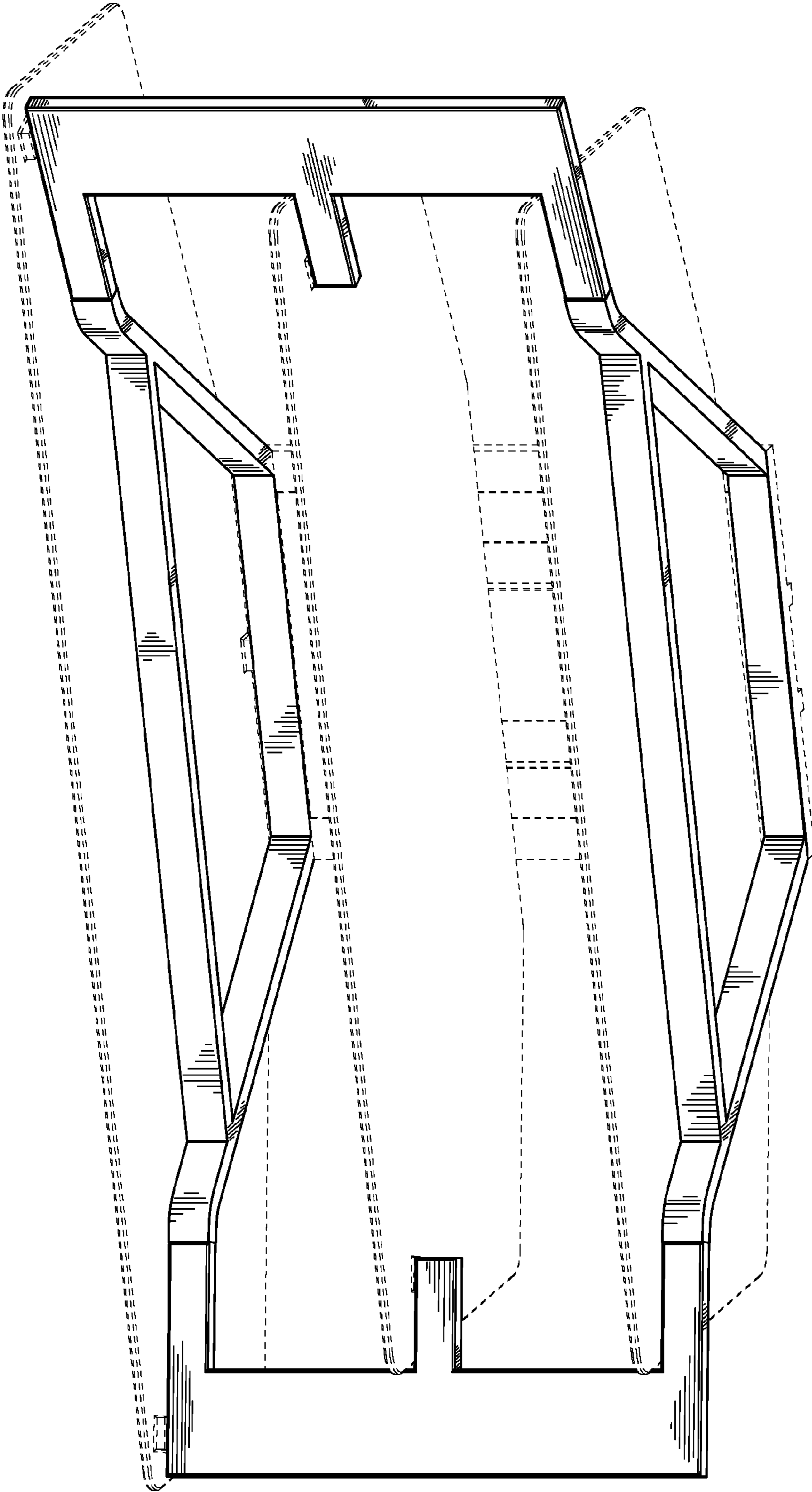


Fig. 3

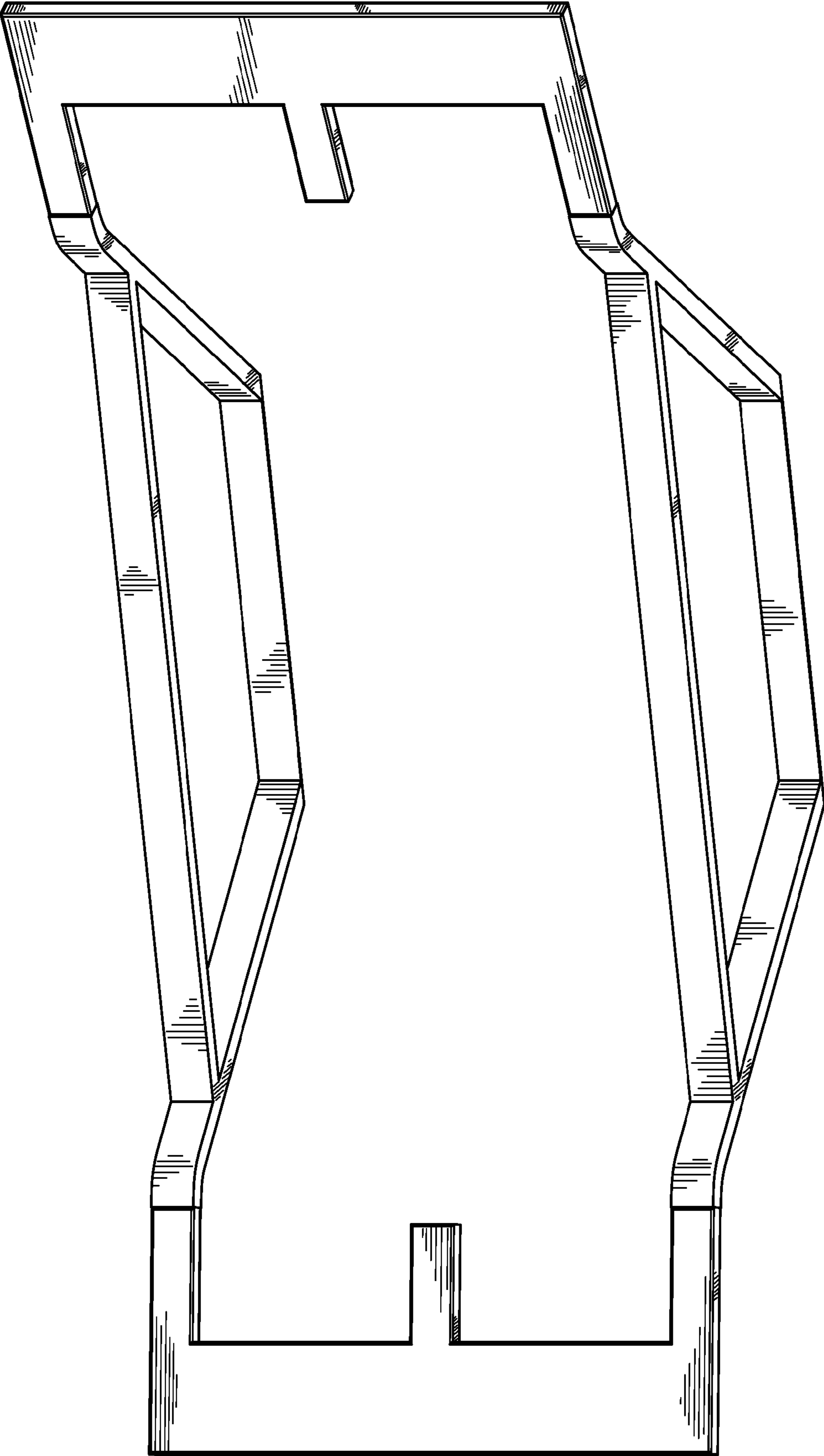


Fig. 4

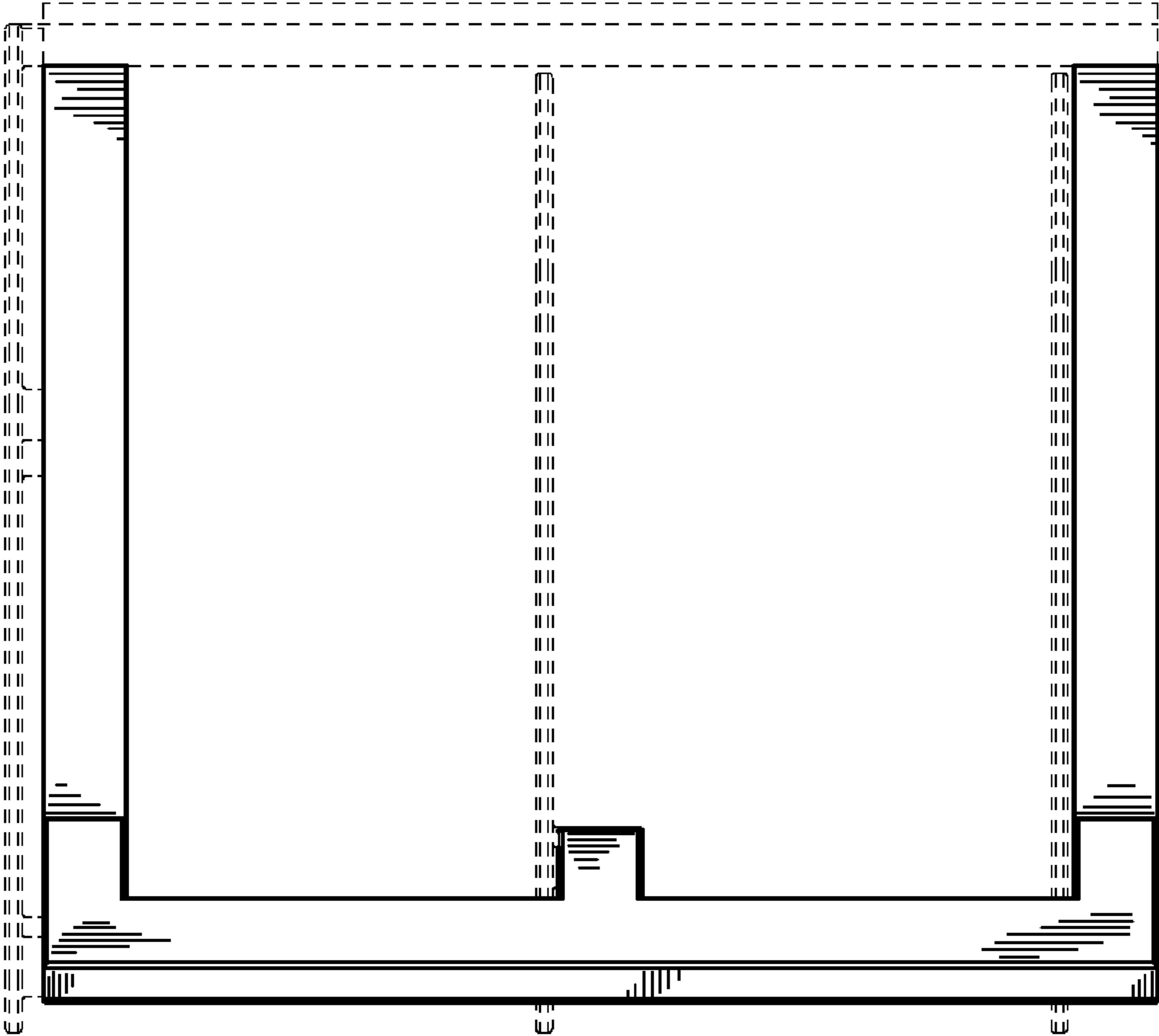


Fig. 5

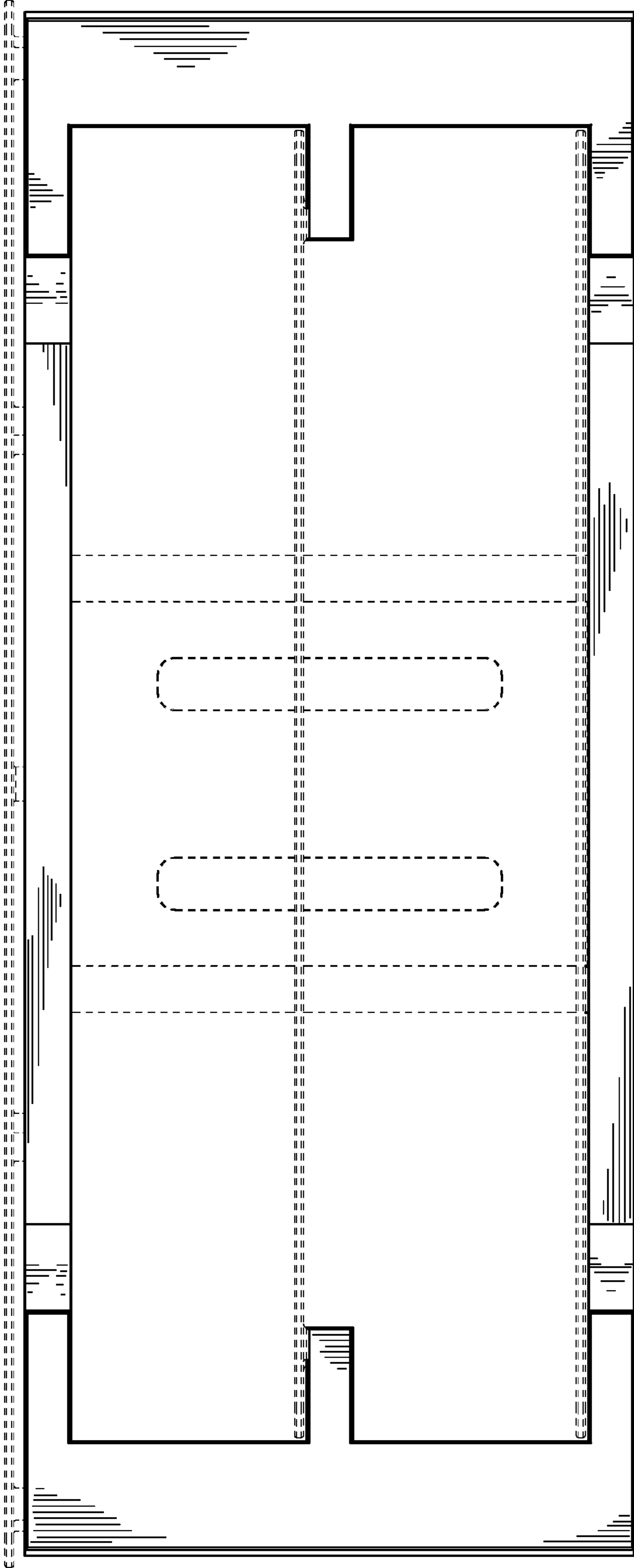


Fig. 6

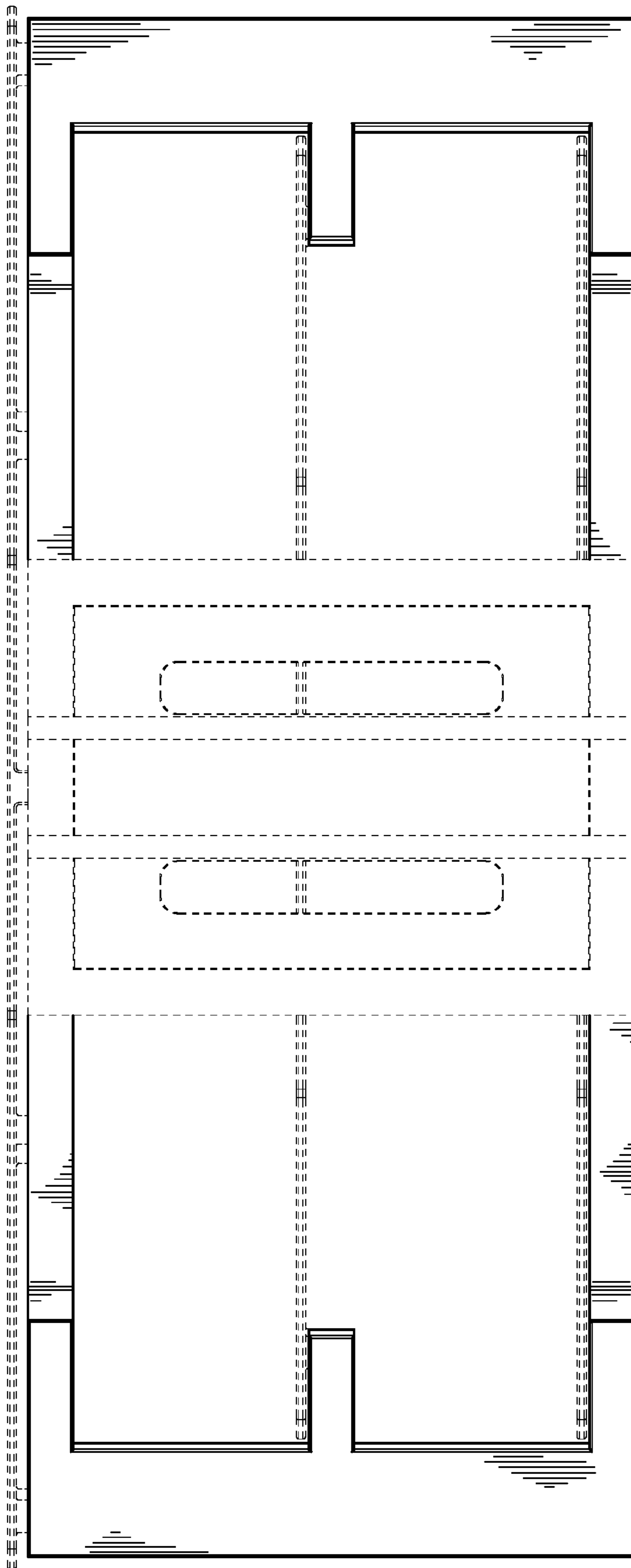


Fig. 7



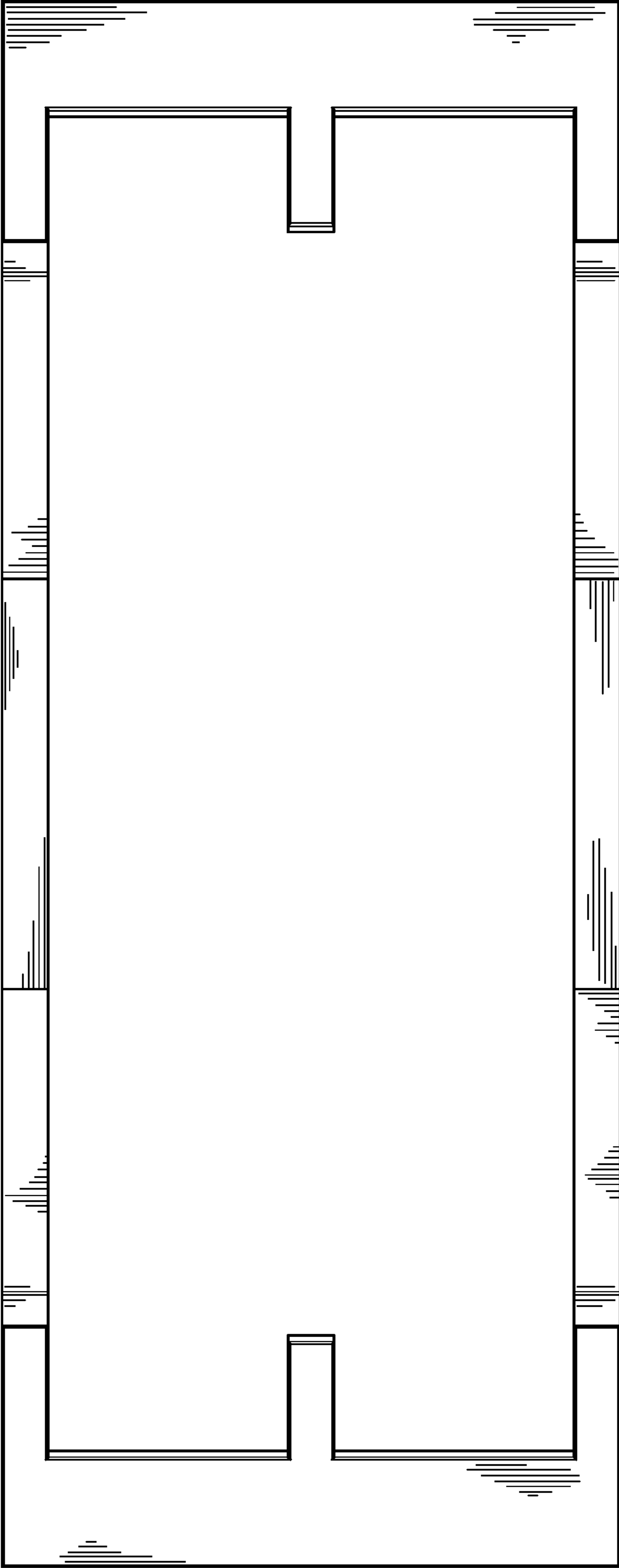


Fig. 8

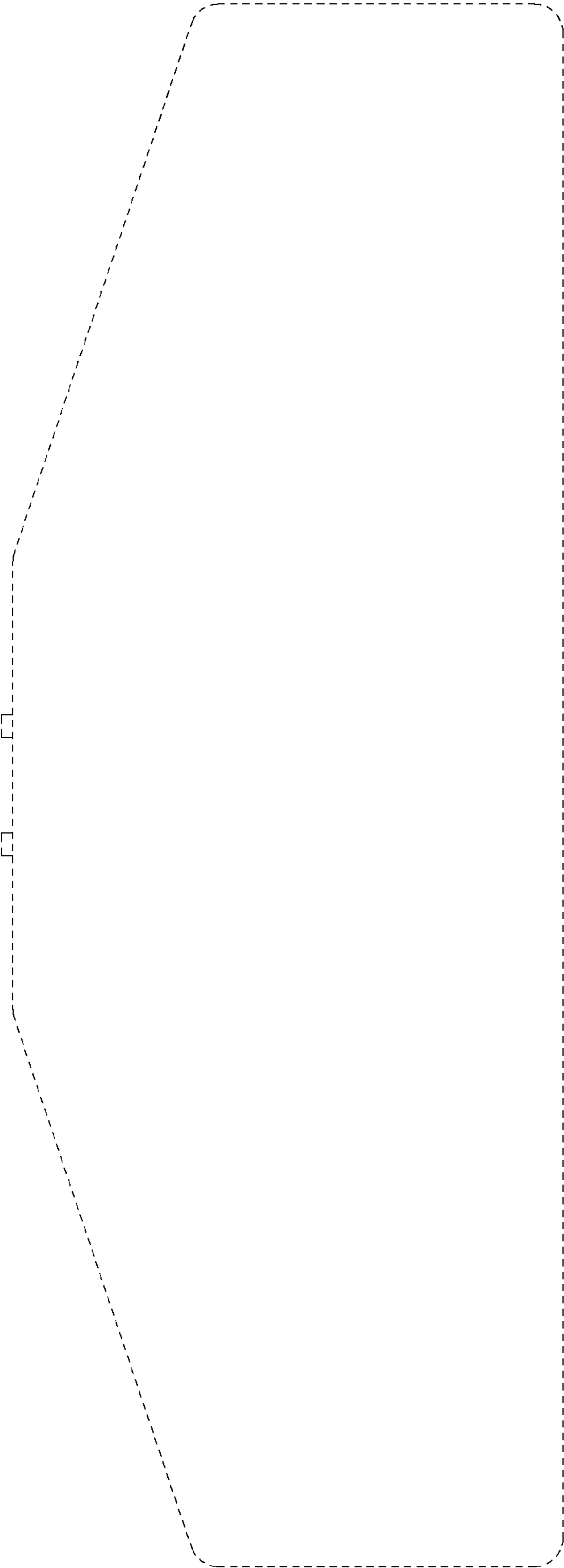


Fig. 9

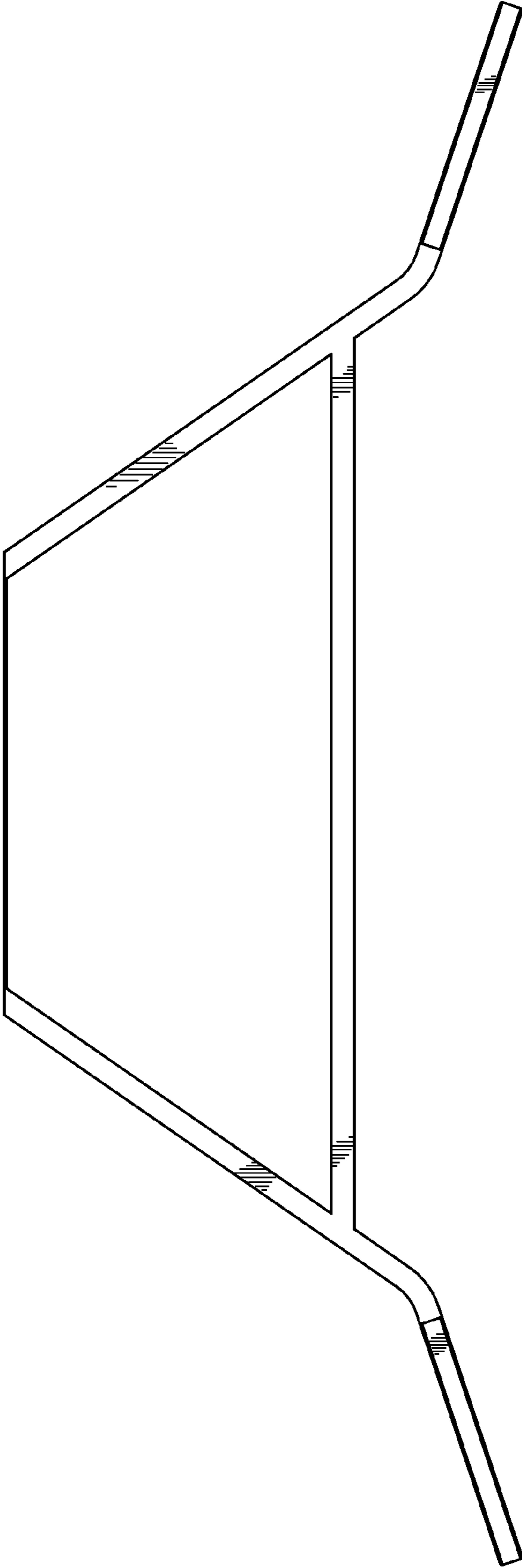


Fig. 10

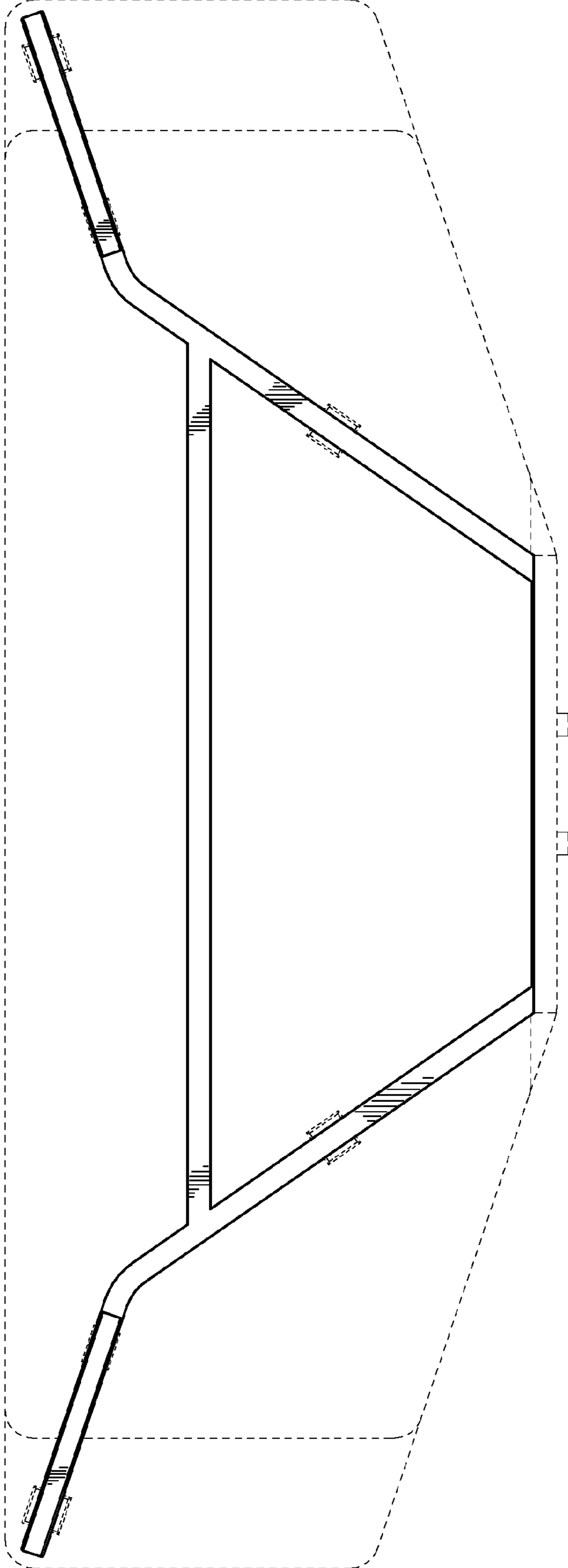


Fig. 11