



US00D607235S

(12) **United States Design Patent**  
**Chue**

(10) **Patent No.:** **US D607,235 S**

(45) **Date of Patent:** **\*\* Jan. 5, 2010**

(54) **STAND**

(75) Inventor: **Lap Fu Chue**, New Territories (HK)

(73) Assignee: **Kenki (H.K.) Ltd.**, Hong Kong (CN)

(\*\*) Term: **14 Years**

(21) Appl. No.: **29/333,425**

(22) Filed: **Mar. 9, 2009**

(51) **LOC (9) Cl.** ..... **06-04**

(52) **U.S. Cl.** ..... **D6/466**

(58) **Field of Classification Search** ..... D6/495,  
D6/498, 449, 509, 476, 462-467, 396; 211/49.1,  
211/42, 71.01, 85.5, 13.1, 85.18, 125; D32/55  
See application file for complete search history.

(56) **References Cited**

**U.S. PATENT DOCUMENTS**

- 4,978,012 A \* 12/1990 Meyers ..... 211/49.1
- D314,104 S \* 1/1991 Johnson ..... D6/467
- D400,736 S \* 11/1998 Churchville et al. .... D6/467
- D538,066 S \* 3/2007 Wagner ..... D6/467

2009/0194491 A1\* 8/2009 Lichodziejewski ..... 211/42

\* cited by examiner

*Primary Examiner*—Janice E Seeger

*Assistant Examiner*—Sydney R Buffalow

(74) *Attorney, Agent, or Firm*—Kevin J. McNeely; McNeely & Hare LLP

(57) **CLAIM**

The ornamental design for a stand, as shown.

**DESCRIPTION**

FIG. 1 is a front perspective view of the stand, showing the new design;

FIG. 2 is a front view;

FIG. 3 is a rear view;

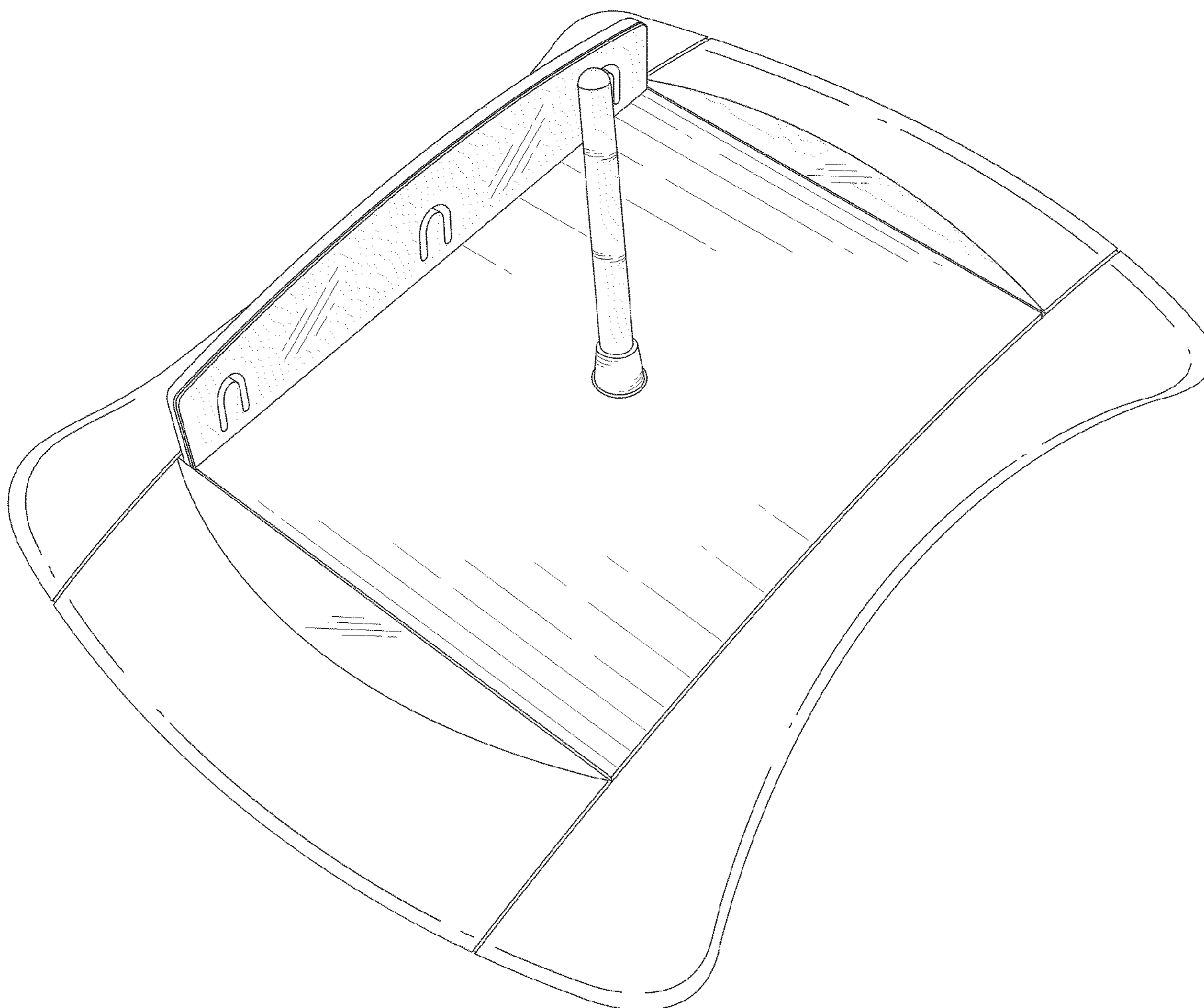
FIG. 4 is a left side view;

FIG. 5 is a right side view;

FIG. 6 is a top view; and,

FIG. 7 is a bottom view.

**1 Claim, 4 Drawing Sheets**



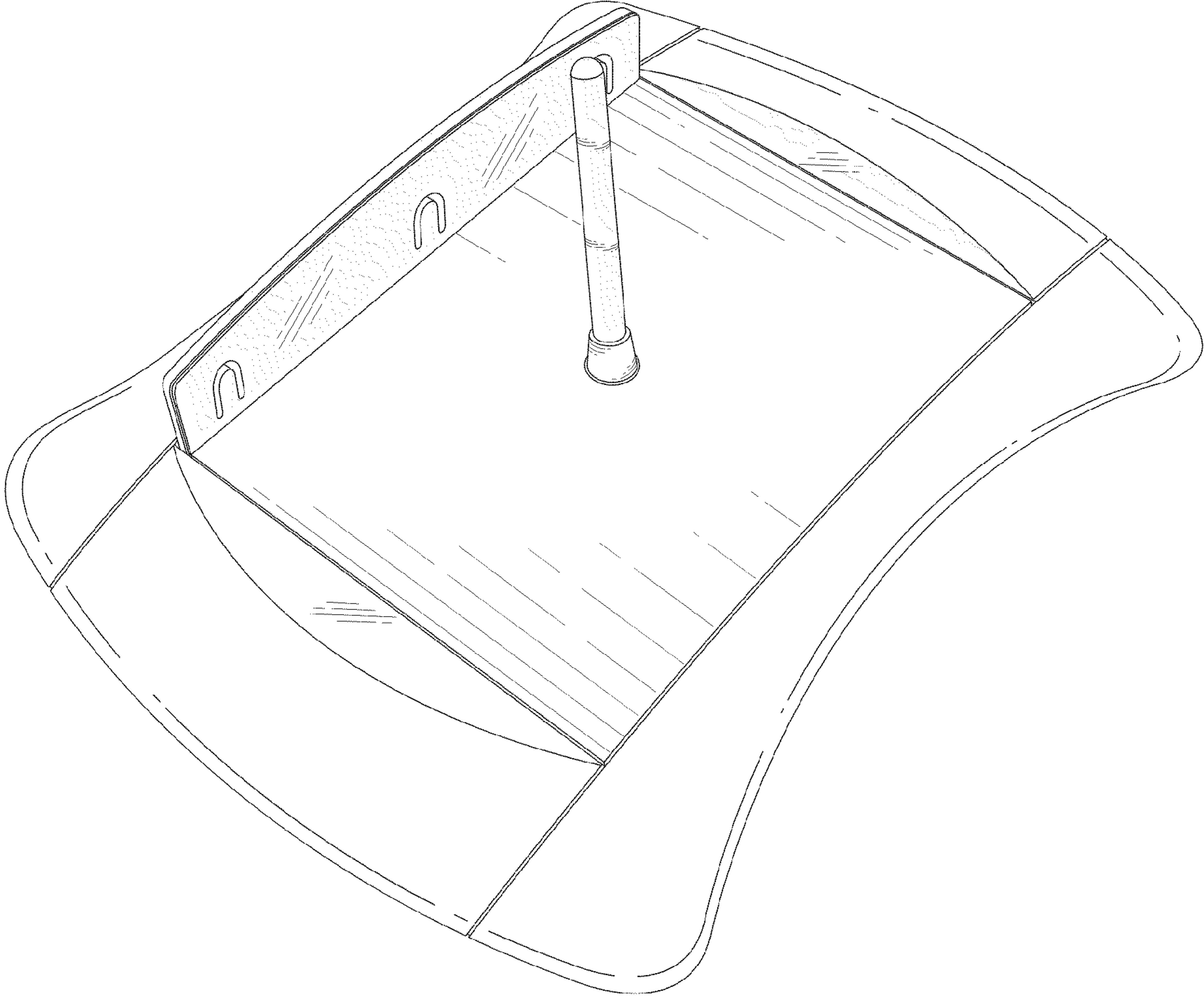


Fig. 1

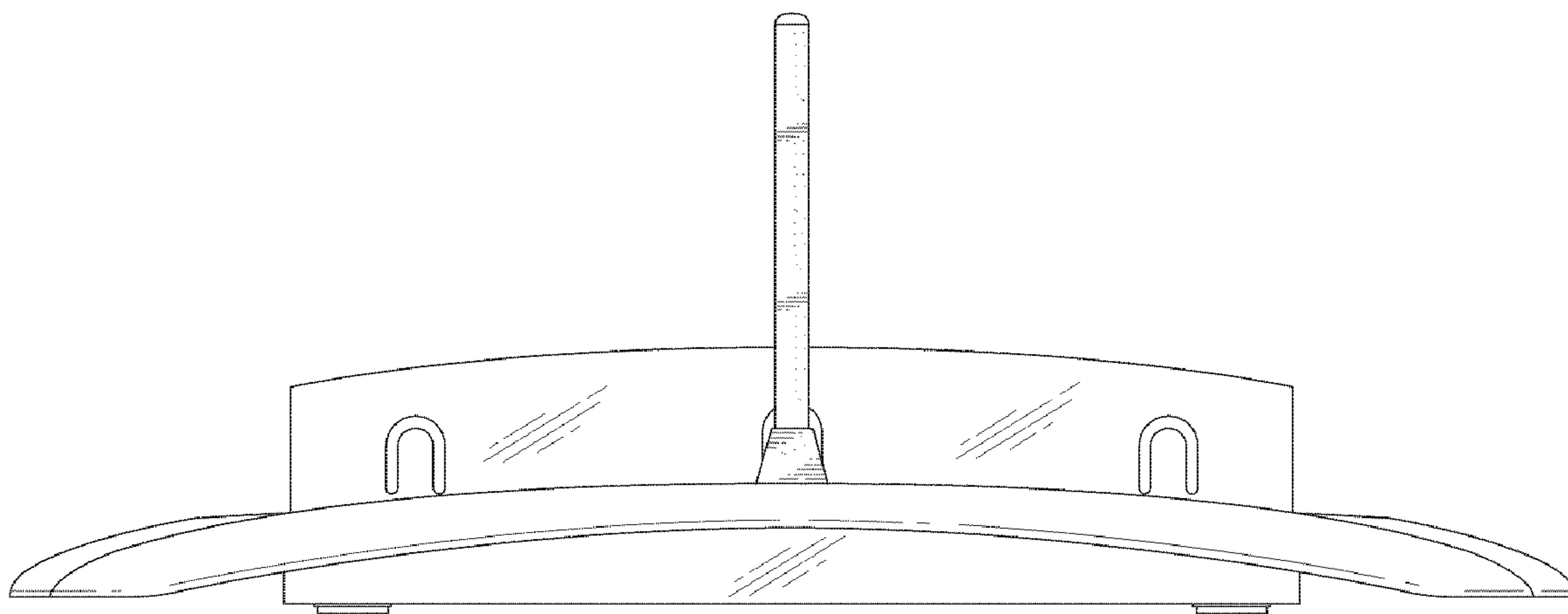


Fig. 2

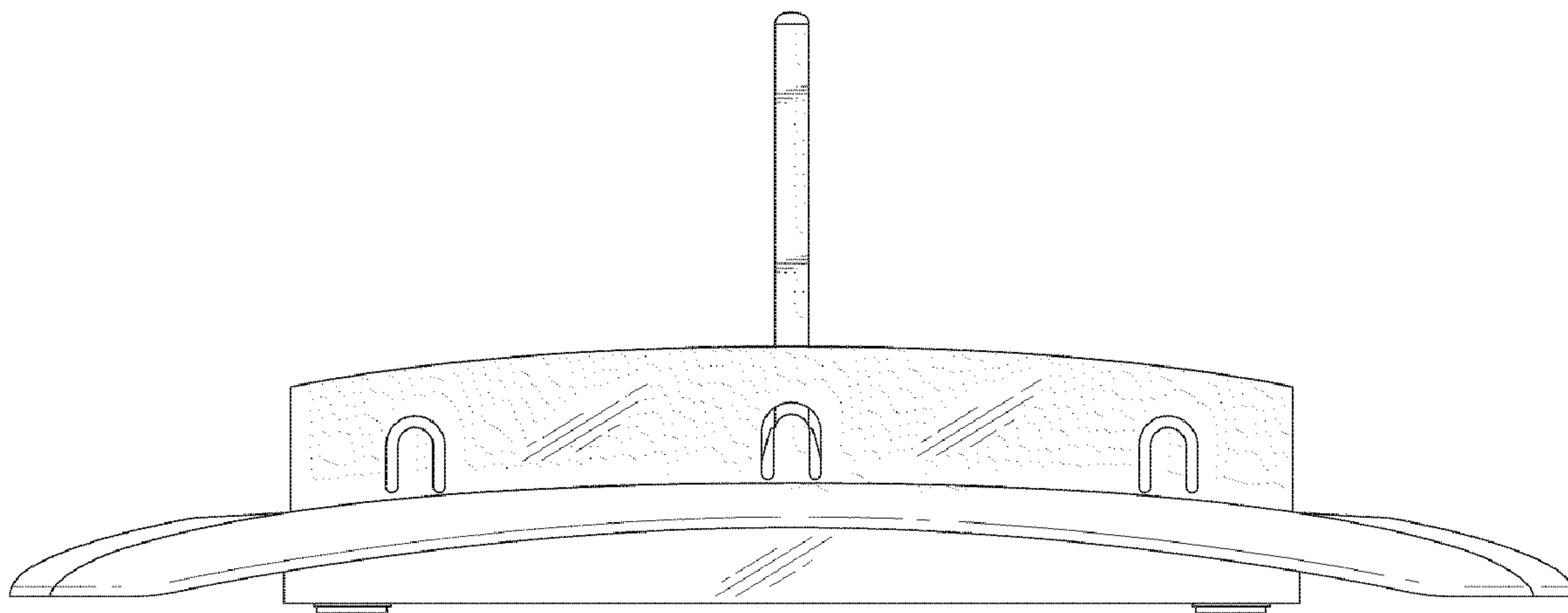


Fig. 3

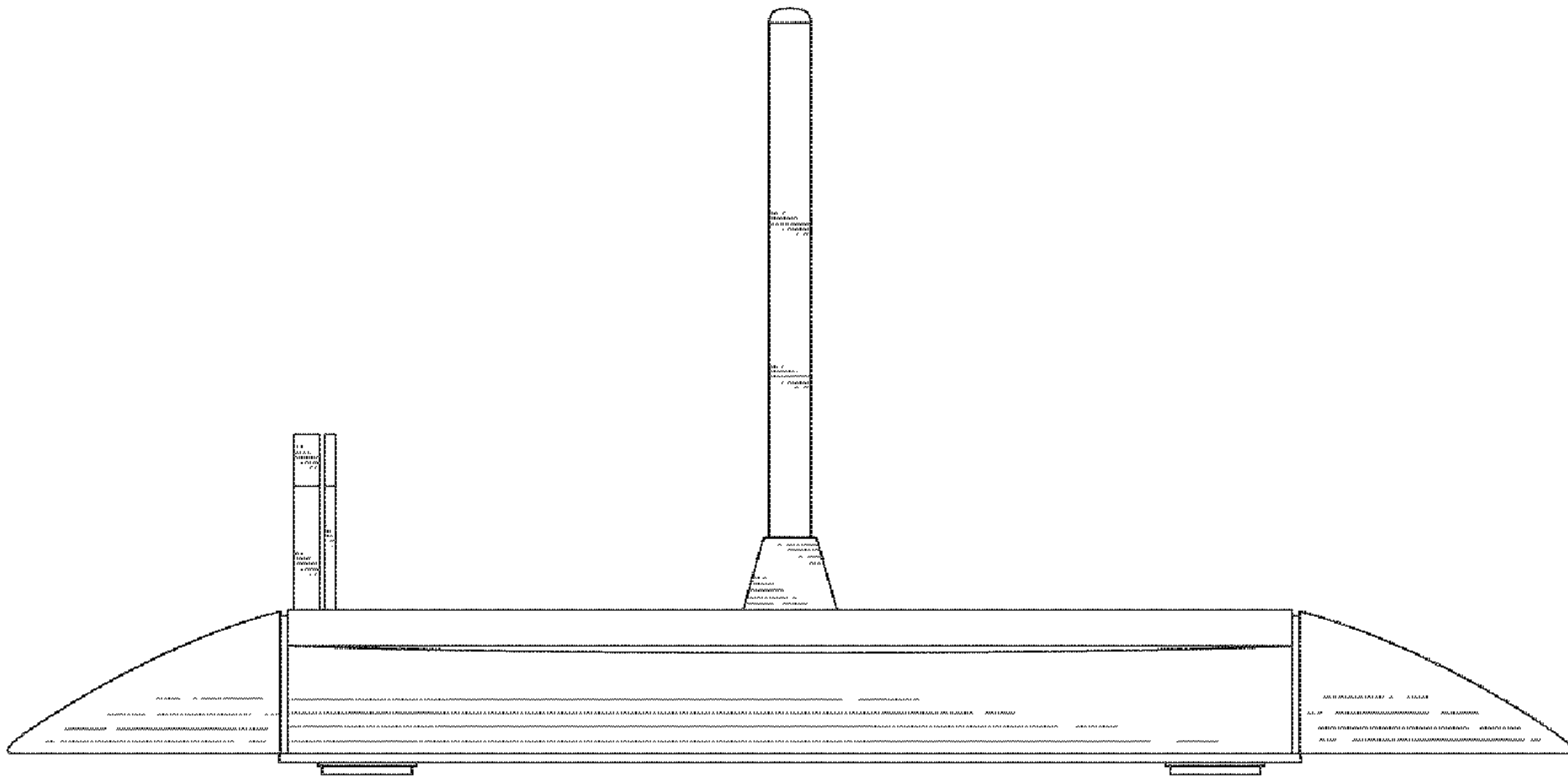


Fig. 4

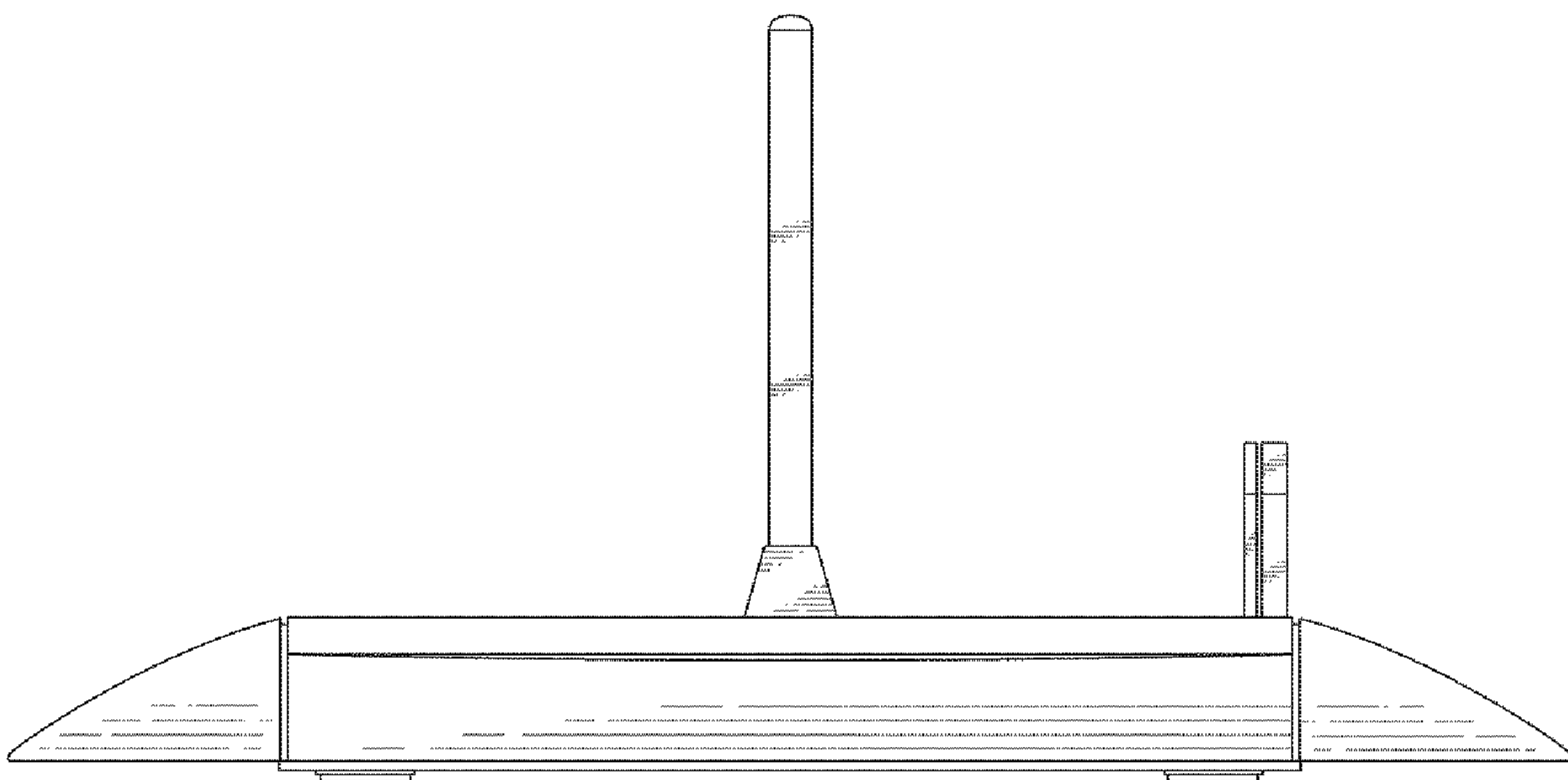


Fig. 5

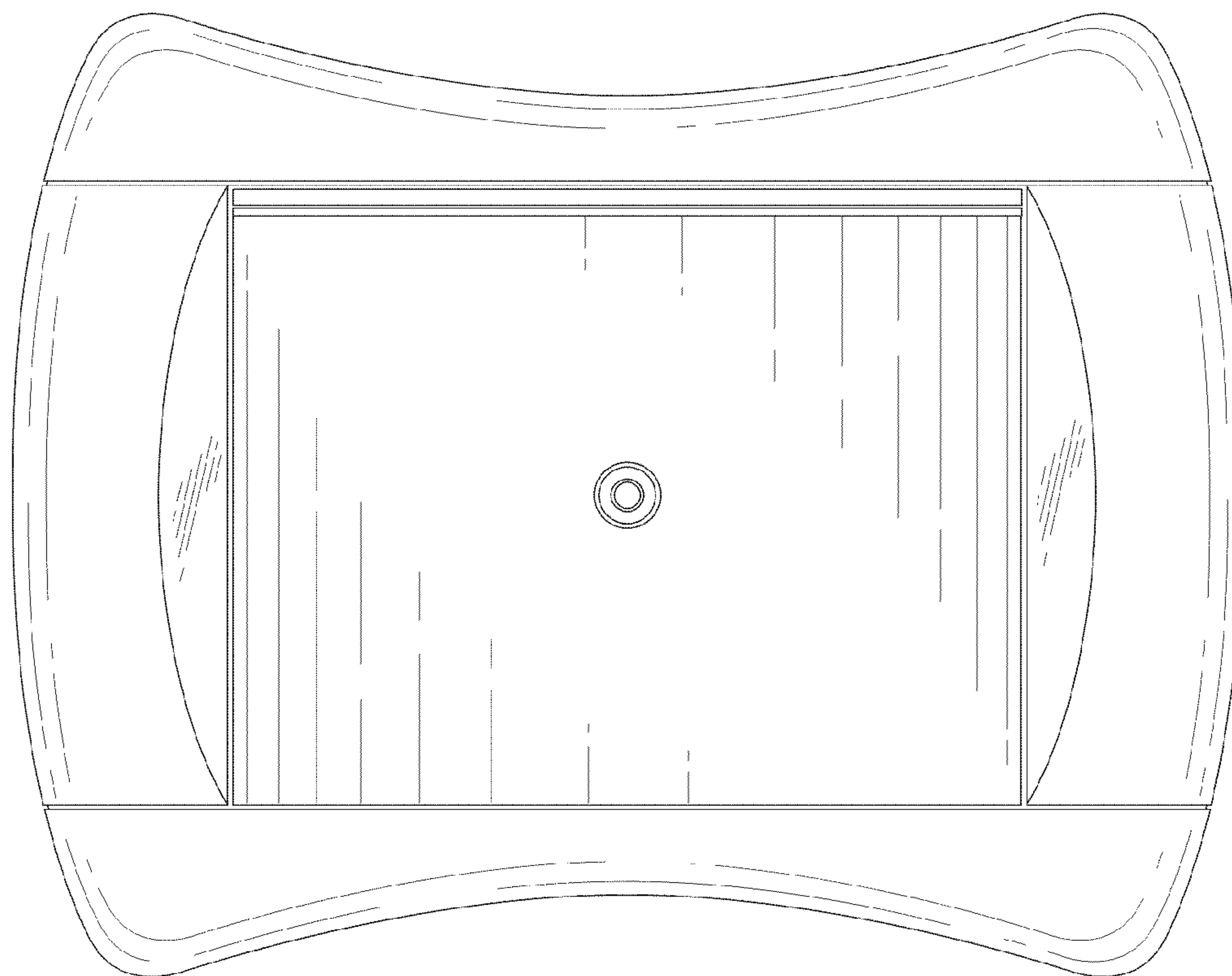


Fig. 6

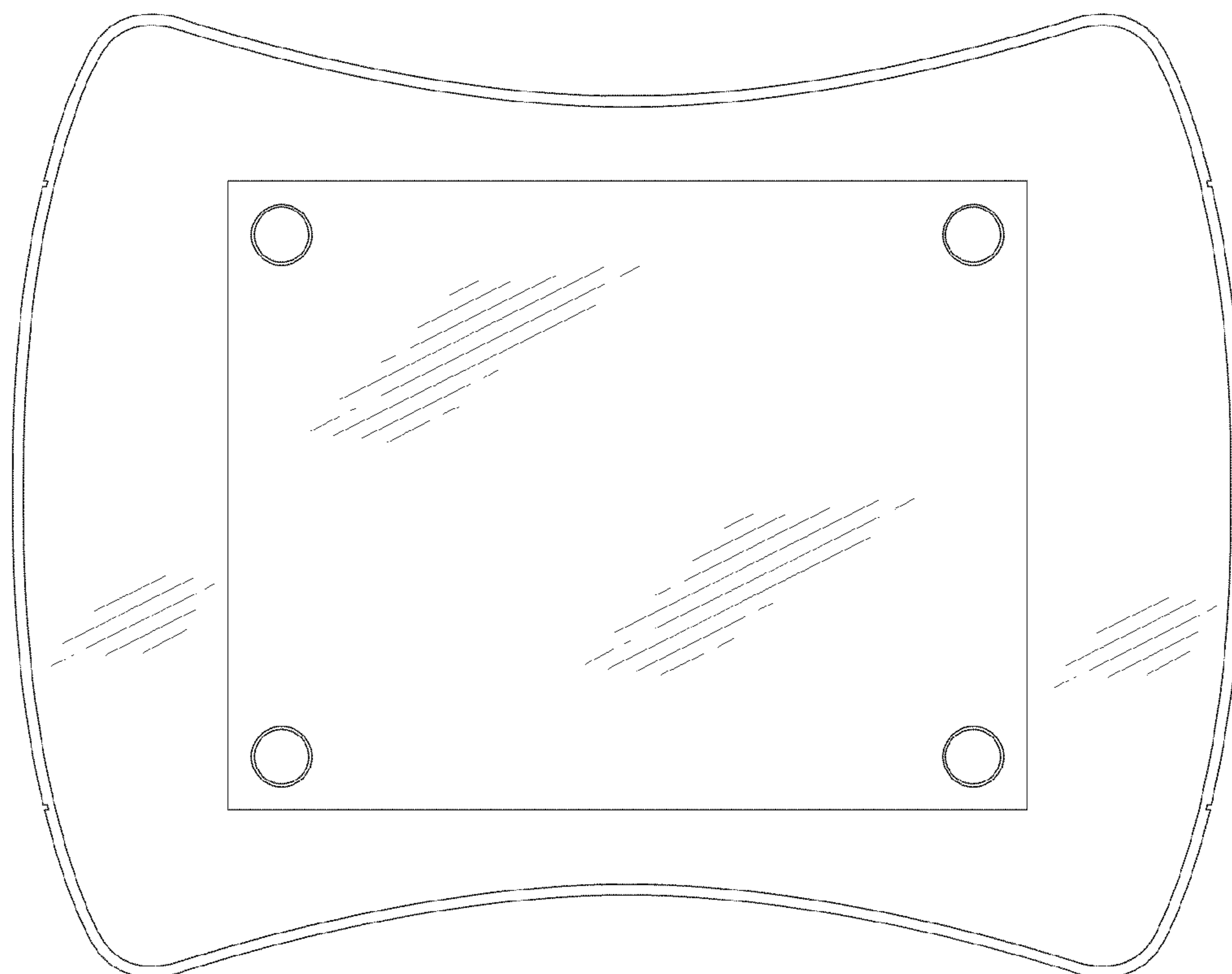


Fig. 7