



US00D607234S

(12) **United States Design Patent**
Chue

(10) **Patent No.:** **US D607,234 S**

(45) **Date of Patent:** **** Jan. 5, 2010**

(54) **STAND**

2009/0194491 A1* 8/2009 Lichodziejewski 211/42

(75) Inventor: **Lap Fu Chue**, New Territories (HK)

* cited by examiner

(73) Assignee: **Kenki (H.K.) Ltd.**, Hong Kong (CN)

Primary Examiner—Sydney R Buffalow
(74) *Attorney, Agent, or Firm*—Kevin J. McNeely; McNeely & Hare LLP

(**) Term: **14 Years**

(21) Appl. No.: **29/333,421**

(57) **CLAIM**

(22) Filed: **Mar. 9, 2009**

The ornamental design for an stand, as shown.

(51) **LOC (9) Cl.** **06-04**

(52) **U.S. Cl.** **D6/466**

(58) **Field of Classification Search** D6/495,
D6/498, 449, 509, 476, 462–467, 396; 211/49.1,
211/42, 71.01, 85.5, 13.1, 85.18, 125; D32/55
See application file for complete search history.

DESCRIPTION

FIG. 1 is a front perspective view of the stand, showing the new design;

FIG. 2 is a front view;

FIG. 3 is a rear view;

FIG. 4 is a left side view;

FIG. 5 is a right side view;

FIG. 6 is a top view; and,

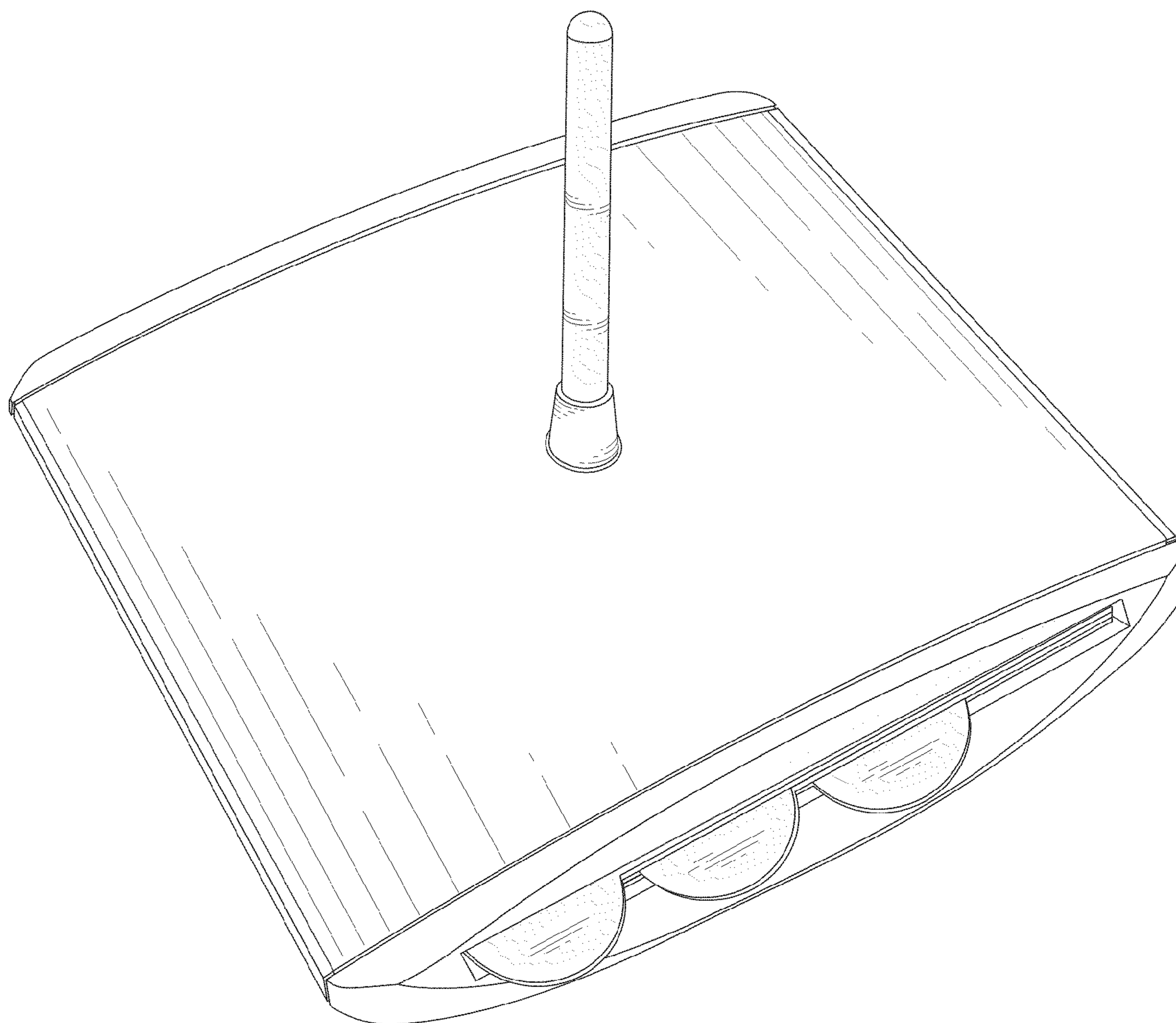
FIG. 7 is a bottom view.

(56) **References Cited**

U.S. PATENT DOCUMENTS

4,978,012 A * 12/1990 Meyers 211/49.1
D314,104 S * 1/1991 Johnson D6/467
D400,736 S * 11/1998 Churchville et al. D6/467
D538,066 S * 3/2007 Wagner D6/467

1 Claim, 5 Drawing Sheets



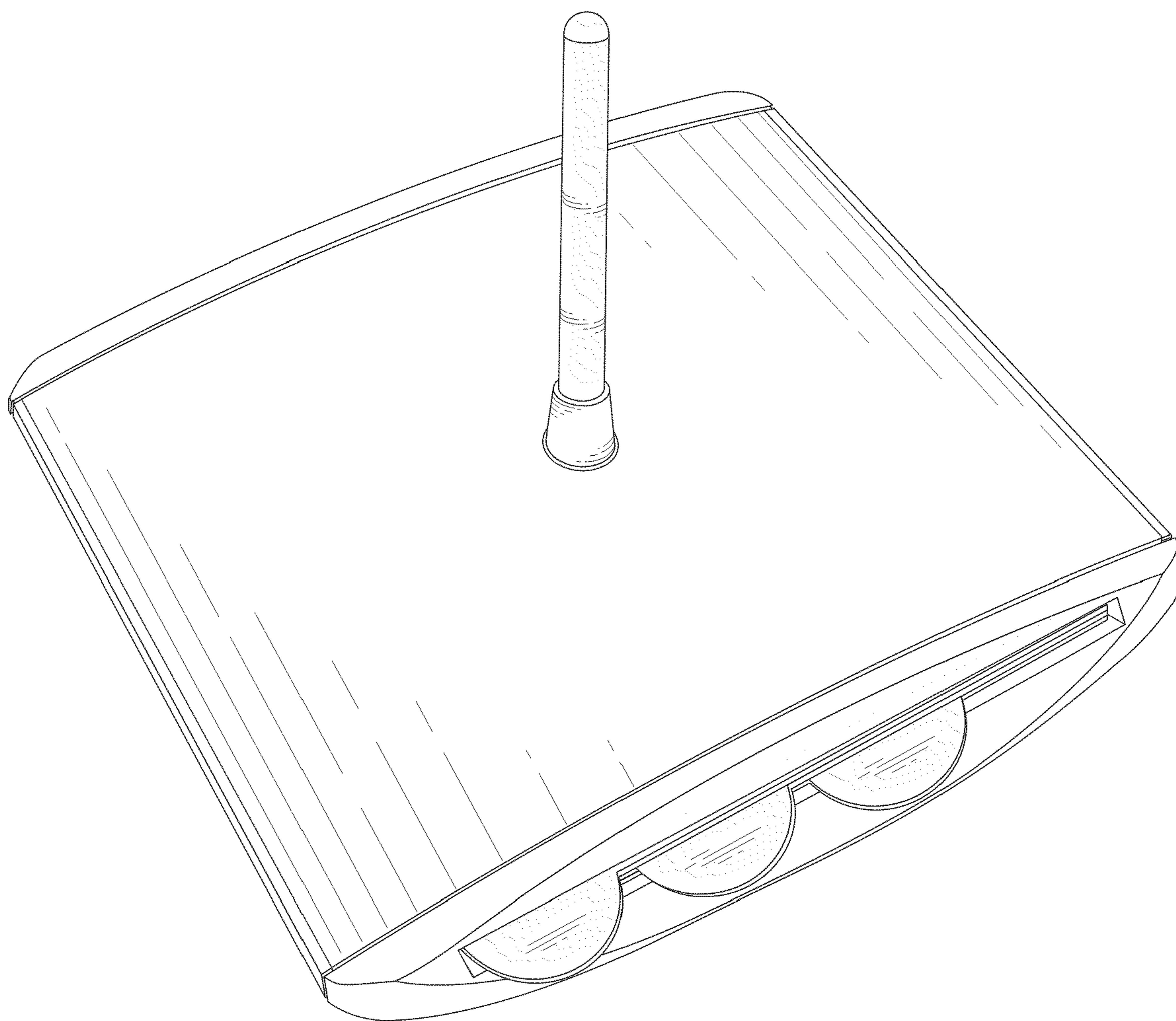


Fig. 1

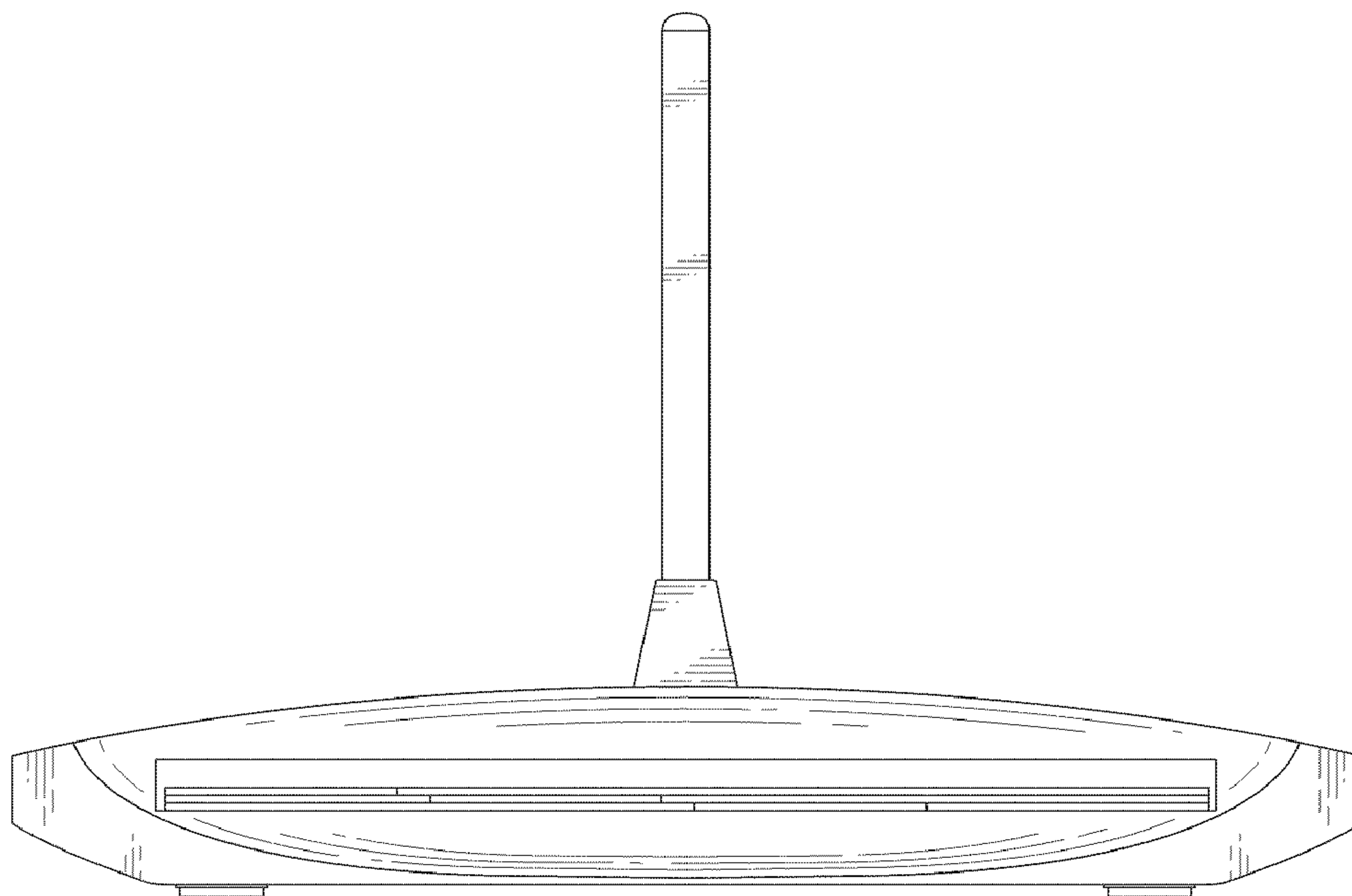


Fig. 2

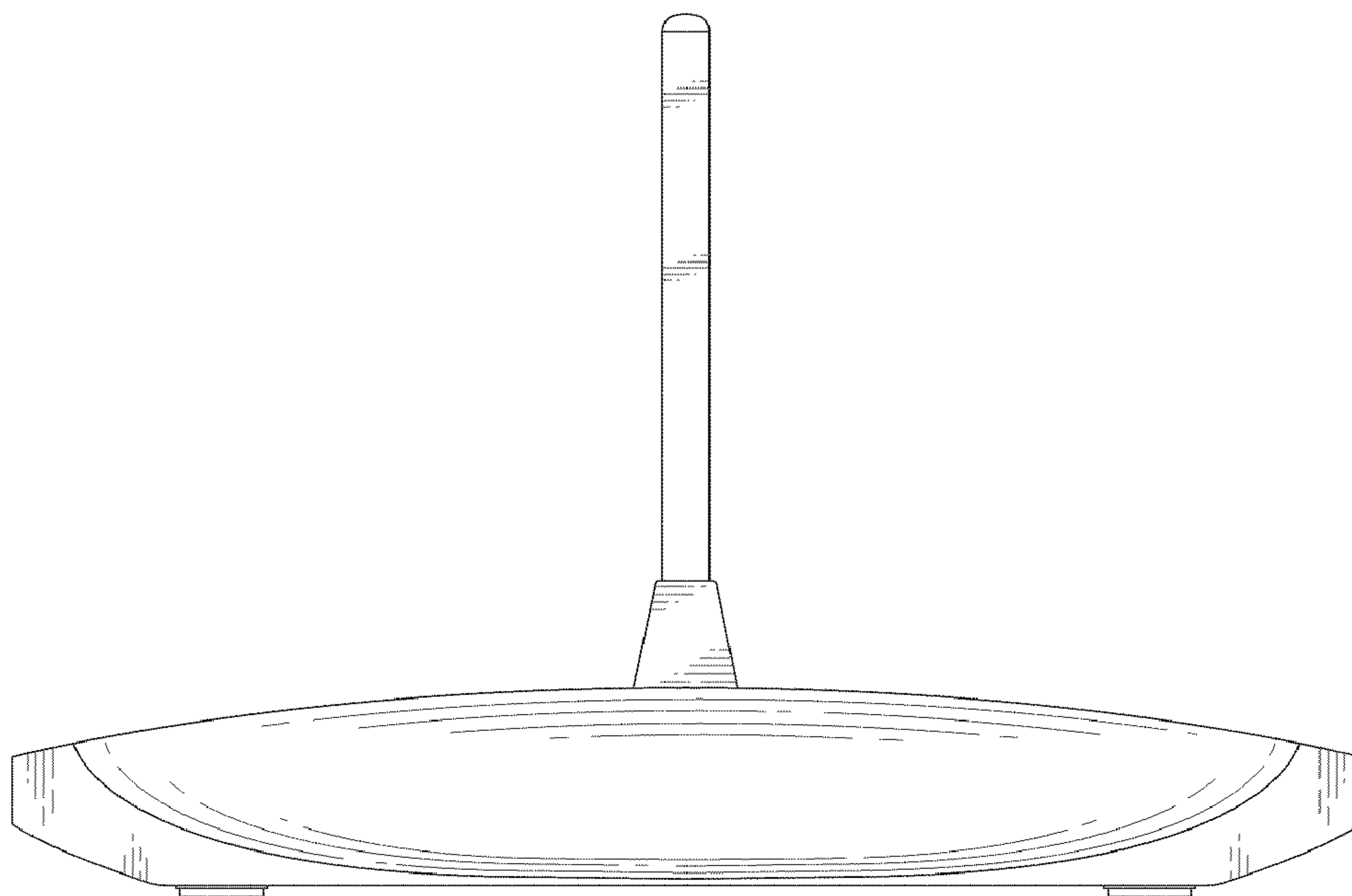


Fig. 3

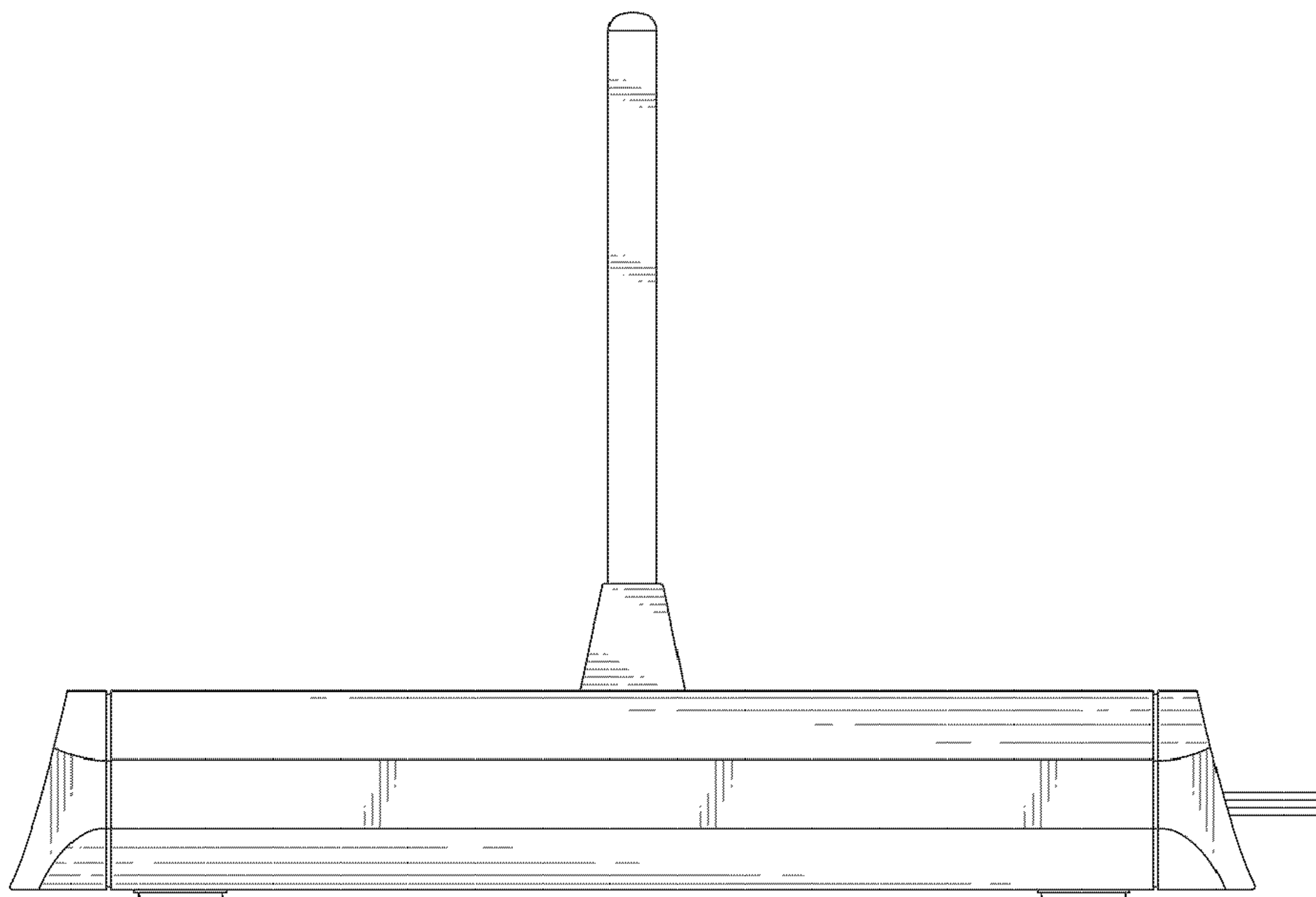


Fig. 4

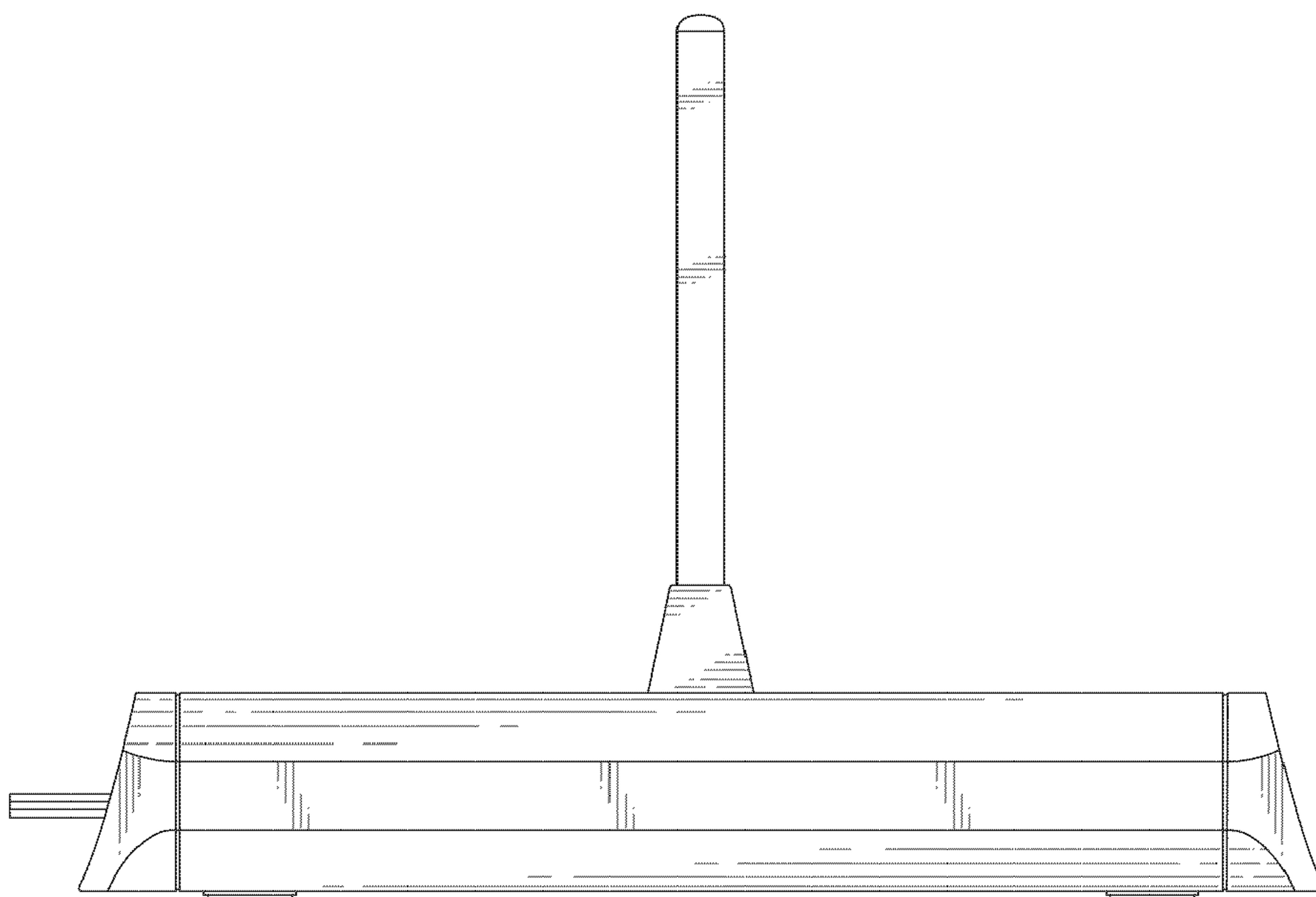


Fig. 5

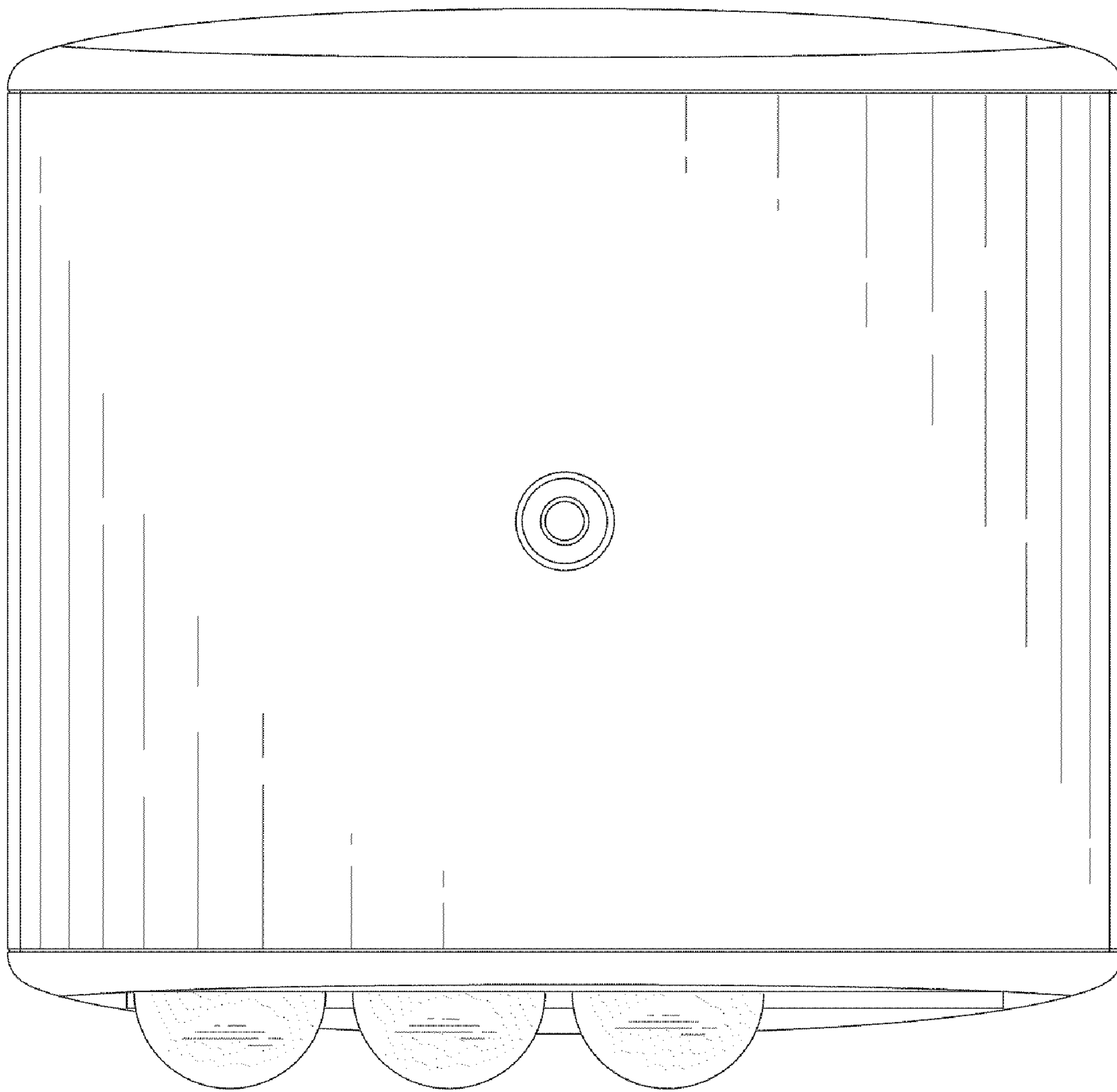


Fig. 6

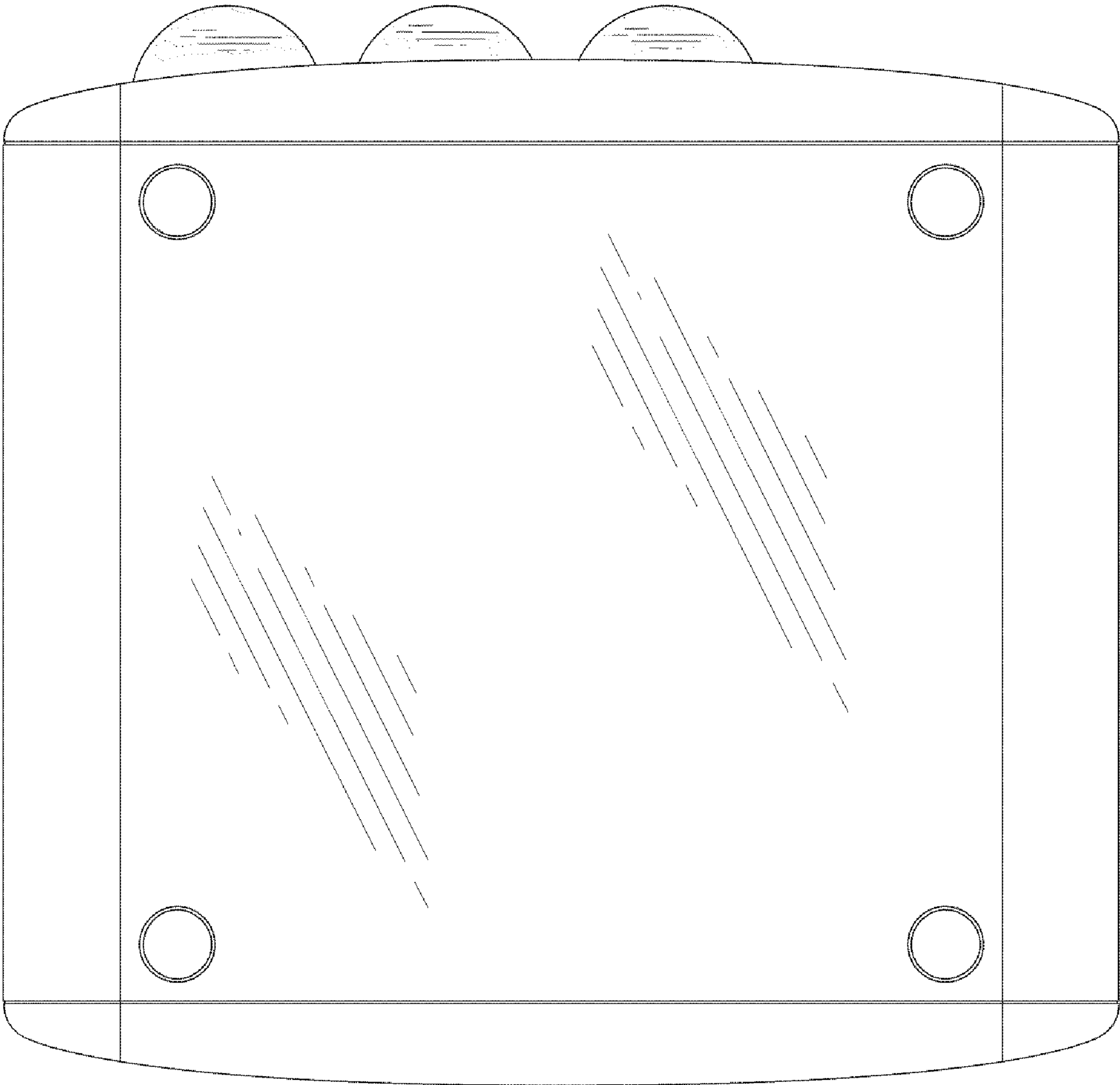


Fig. 7