



US00D607231S

(12) **United States Design Patent**
Amaloo

(10) **Patent No.:** **US D607,231 S**
(45) **Date of Patent:** **** Jan. 5, 2010**

(54) **FOOD KIOSK**

(76) Inventor: **Christopher Amaloo**, 24 Silverleaf Ct.,
Columbia, SC (US) 29209

(**) Term: **14 Years**

(21) Appl. No.: **29/291,939**

(22) Filed: **Sep. 21, 2007**

(51) **LOC (9) Cl.** **06-04**

(52) **U.S. Cl.** **D6/397**

(58) **Field of Classification Search** D25/16,
D25/23-26; D6/437, 396-397, 472-479,
D6/448, 432; 52/36.1-36.2, 34, 79.1, 74;
312/194-196; 108/92-96

See application file for complete search history.

(56) **References Cited**

U.S. PATENT DOCUMENTS

D105,764 S	8/1937	Hunter	
D126,987 S	5/1941	Miller	
D265,617 S	8/1982	Saurage, III et al.	
D346,514 S	5/1994	Barrish	
D351,299 S	10/1994	Barrish	
D396,113 S *	7/1998	Horton	D25/16
D423,113 S *	4/2000	Horton	D25/16
D424,701 S *	5/2000	Horton	D25/18
D435,113 S *	12/2000	Horton	D25/16
D443,069 S *	5/2001	Horton	D25/16
D445,912 S *	7/2001	Cohn	D25/16

D462,779 S *	9/2002	Knoettgen	D25/16
D462,780 S *	9/2002	Cohn	D25/16
D463,035 S *	9/2002	Knoettgen	D25/16
D463,571 S *	9/2002	Cohn	D25/16
D463,572 S *	9/2002	Knoettgen	D25/16
D494,682 S *	8/2004	Baxter et al.	D25/16
D515,845 S *	2/2006	Reeves et al.	D6/471
7,101,000 B2 *	9/2006	DeMars	312/140.2
D551,878 S *	10/2007	Cohen	D6/442

* cited by examiner

Primary Examiner—Elizabeth A Albert

Assistant Examiner—Kelley A Donnelly

(74) *Attorney, Agent, or Firm*—J. Bennett Mullinax, LLC

(57) **CLAIM**

The ornamental design for a food kiosk, as shown and described.

DESCRIPTION

FIG. 1 is a front view of a food kiosk;

FIG. 2 is a right elevation view thereof;

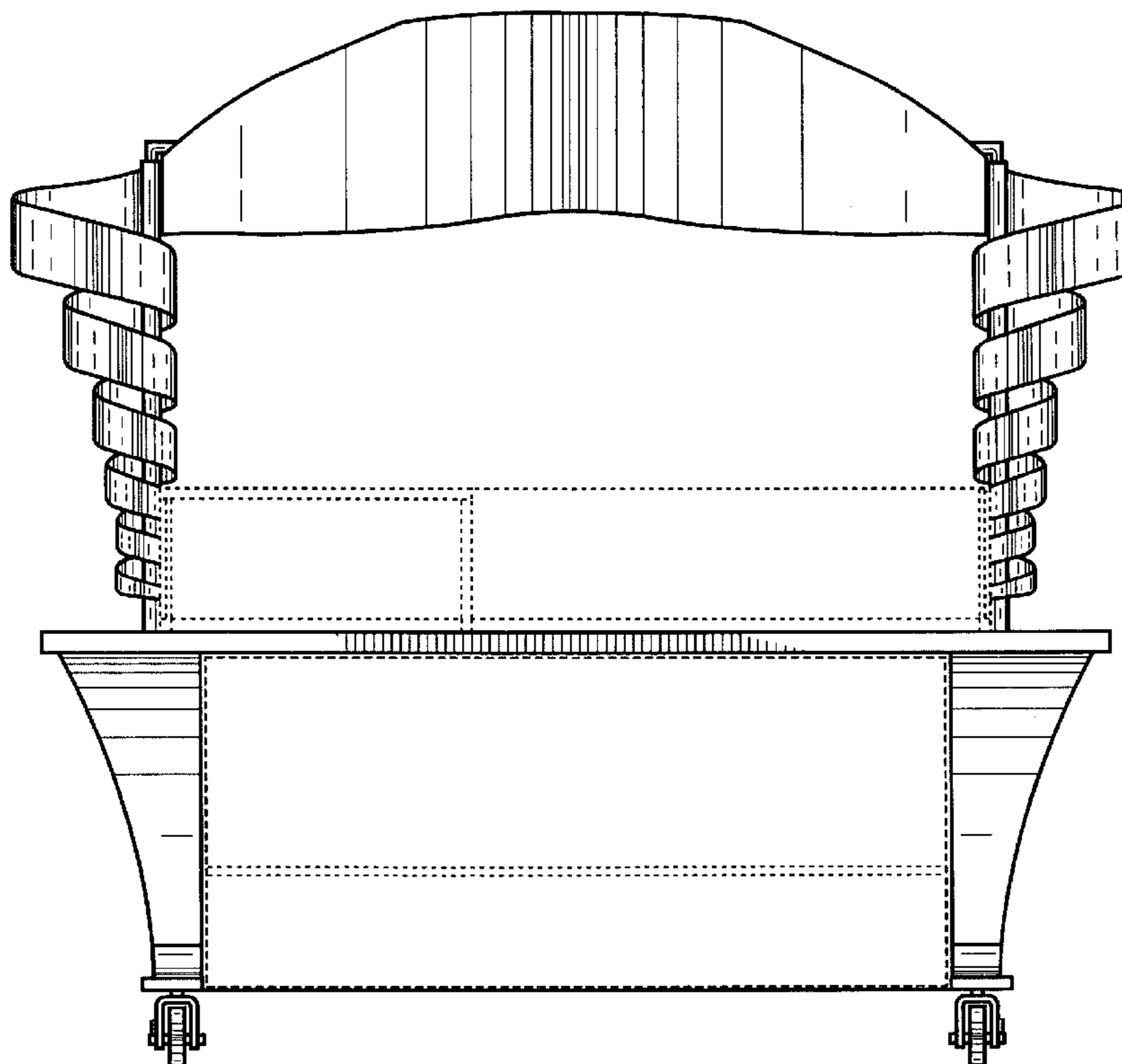
FIG. 3 is left elevation view thereof;

FIG. 4 is a rear view thereof; and,

FIG. 5 is a top plan view thereof.

The features shown in broken lines in FIGS. 4 and 5 depict shelving portions of the food kiosk that form no part of the claimed design.

1 Claim, 4 Drawing Sheets



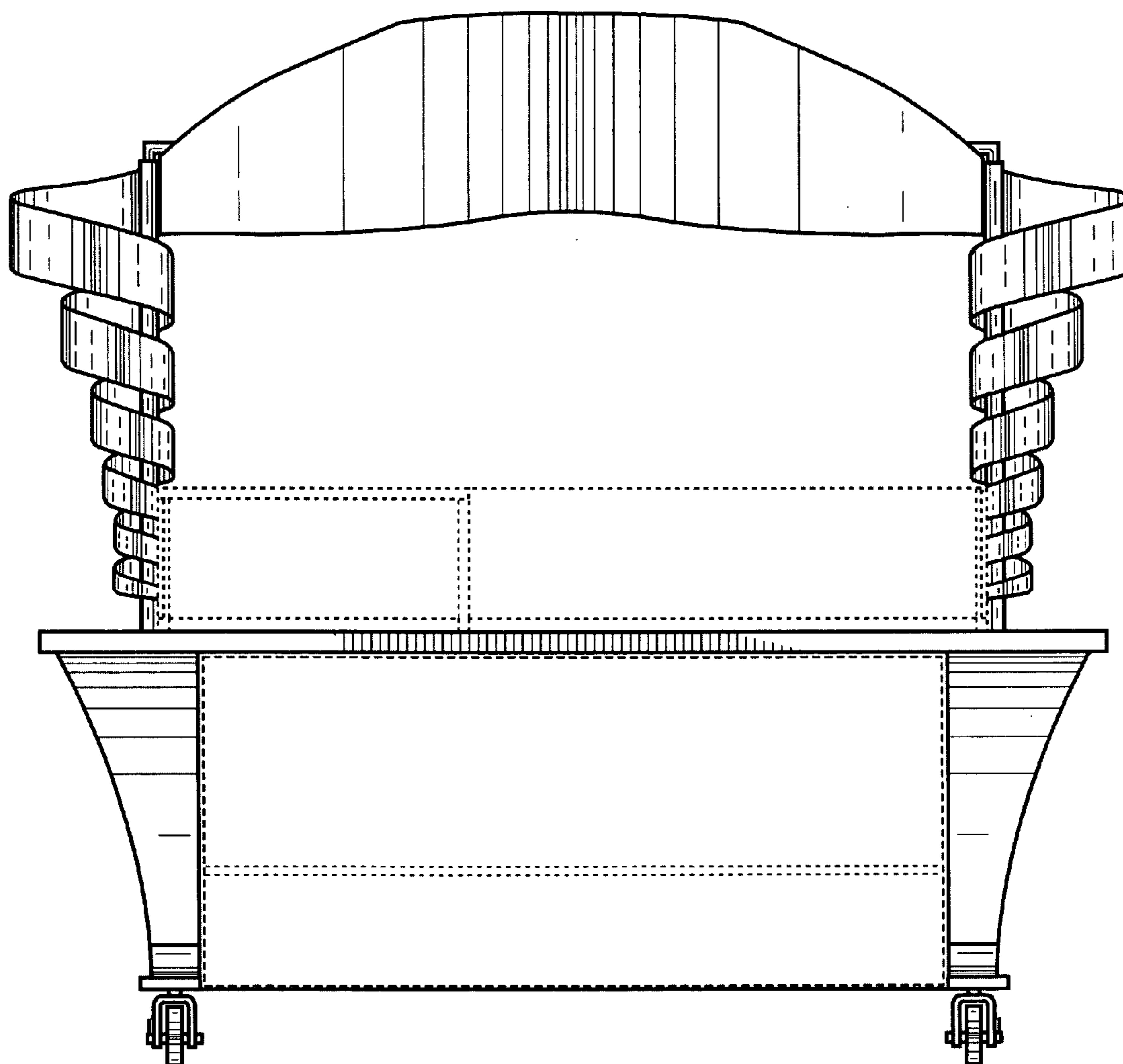


FIG. 1

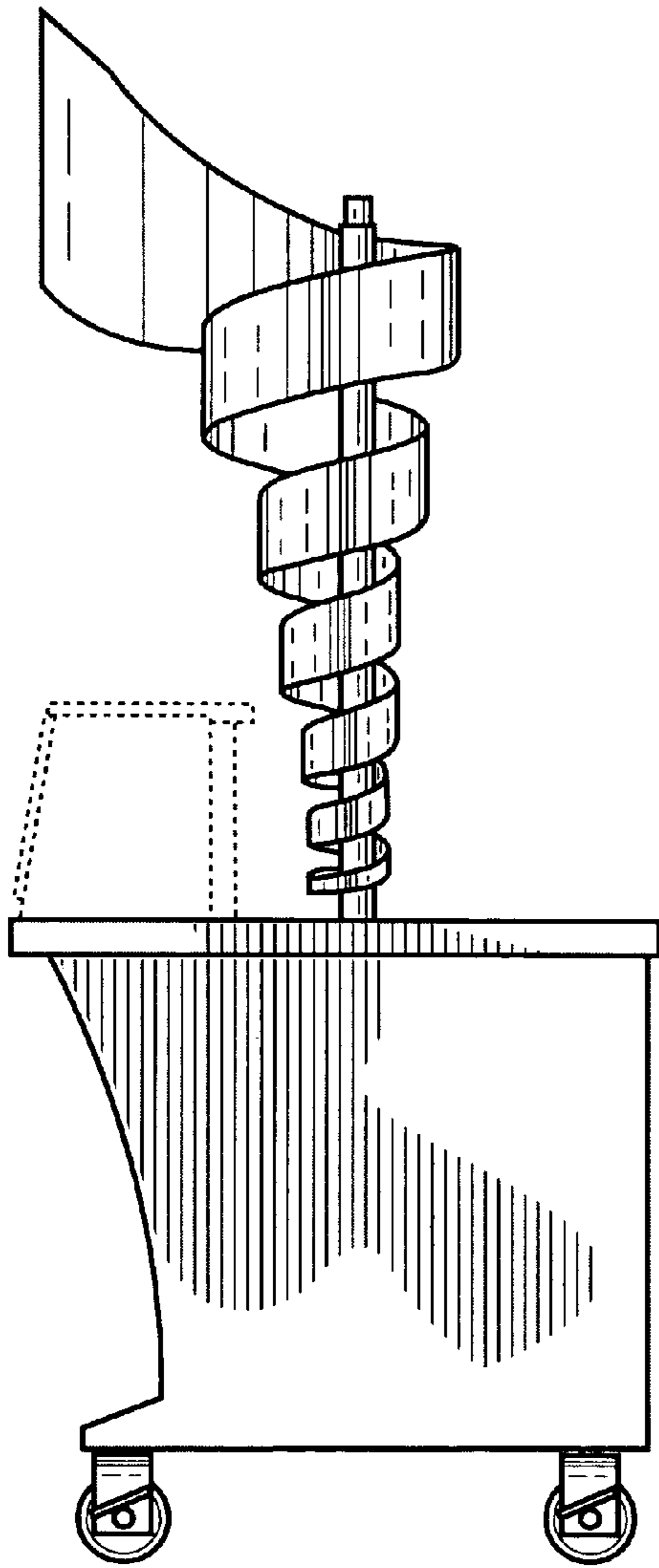


FIG. 2

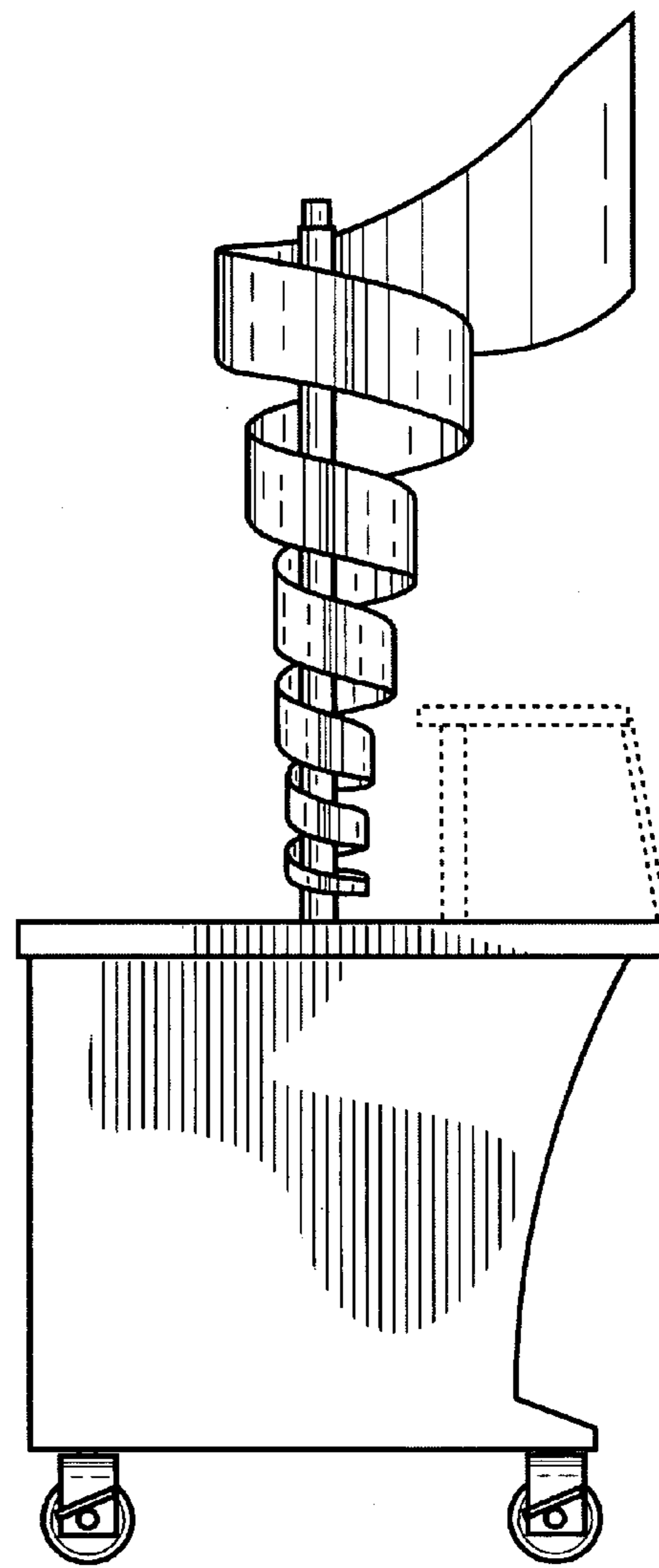


FIG. 3

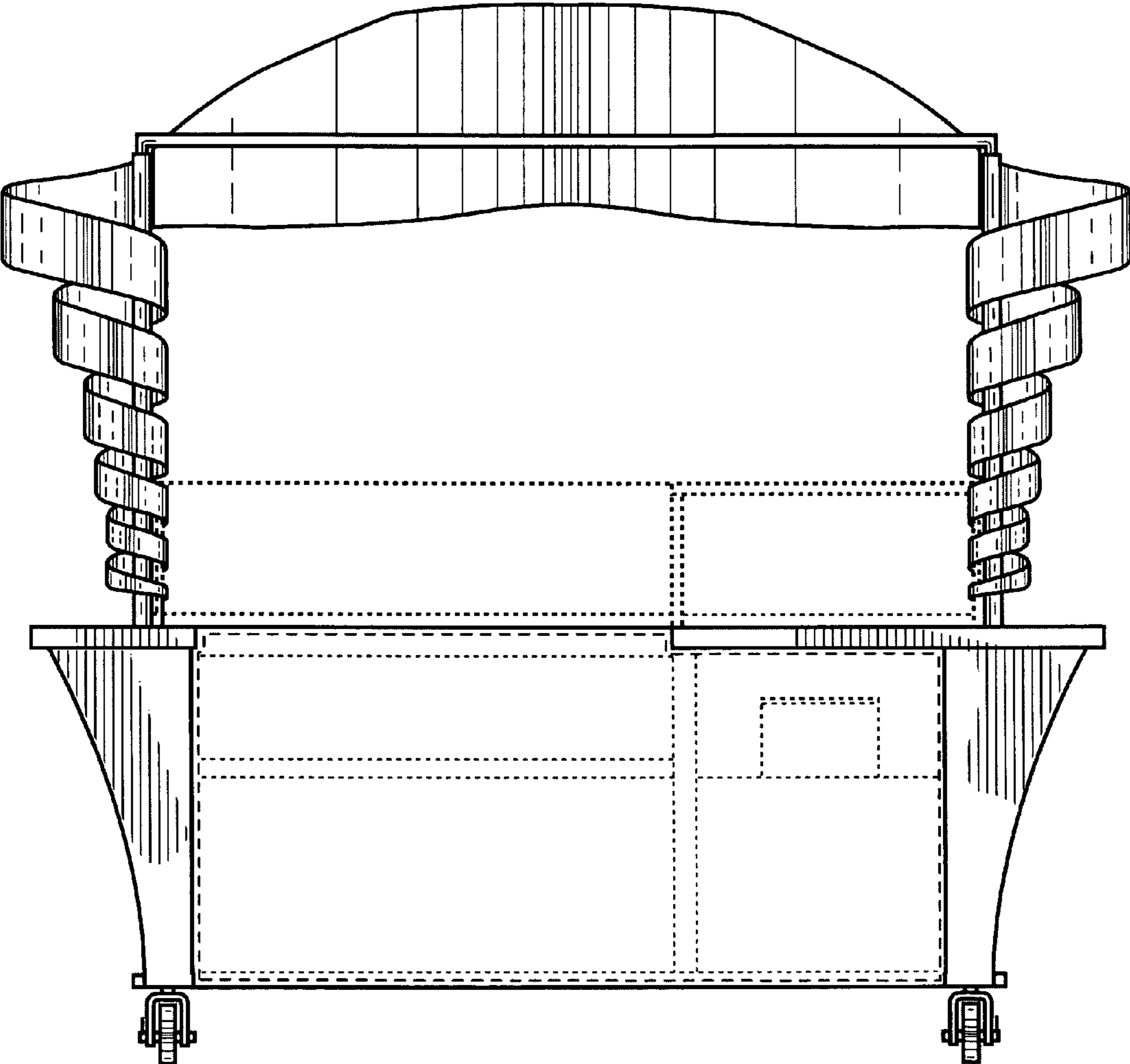


FIG. 4

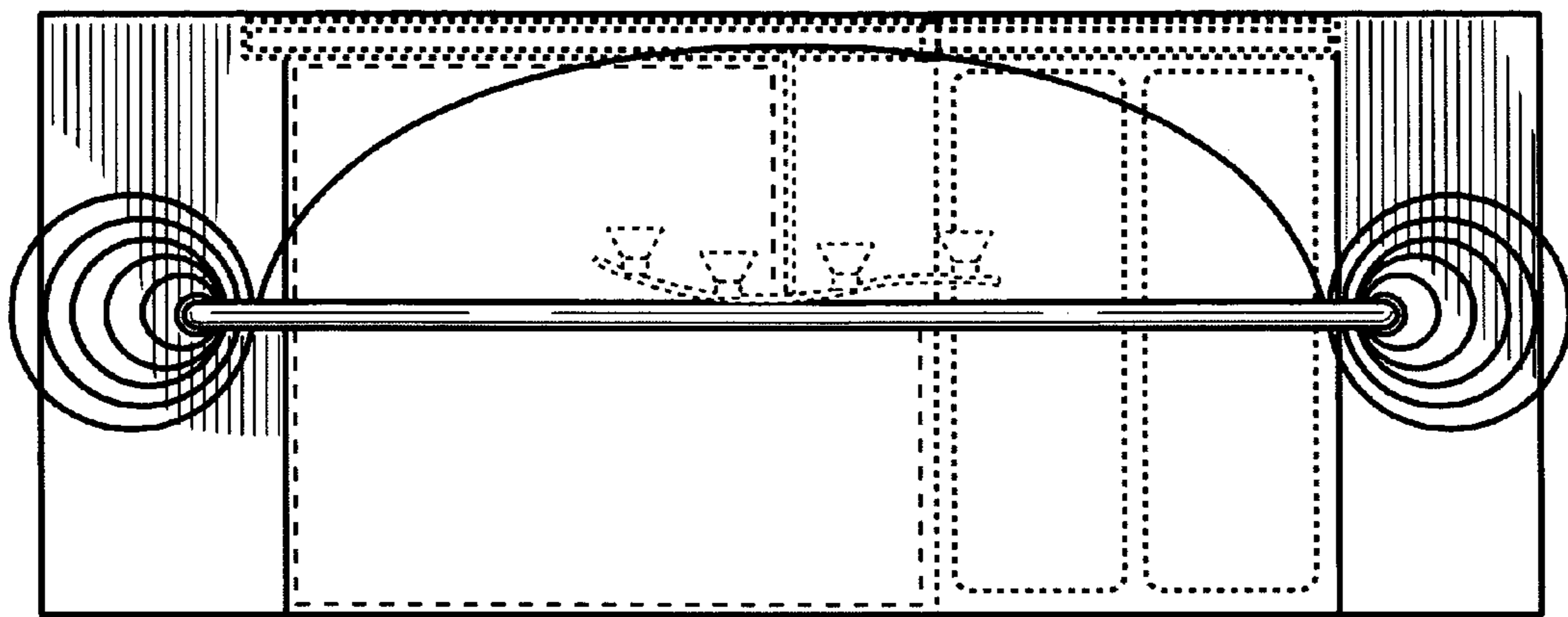


FIG. 5