



US00D607224S

(12) **United States Design Patent**
Gormley

(10) **Patent No.:** **US D607,224 S**
(45) **Date of Patent:** **** Jan. 5, 2010**

(54) **MATERNAL COMFORT CHAIR**

(76) Inventor: **Paul L. Gormley**, 1 Water St., Dracut,
MA (US) 01826

(**) Term: **14 Years**

(21) Appl. No.: **29/315,157**

(22) Filed: **Jun. 2, 2009**

(51) **LOC (9) Cl.** **06-01**

(52) **U.S. Cl.** **D6/373**

(58) **Field of Classification Search** 33/334-336,
33/371, 372, 373, 374, 375, 376, 379, 380,
33/500-502, 601; 297/445.1, 446.1, 448.1,
297/448.2, 451.3, 451.7, 452.3, 452.48; 5/653
See application file for complete search history.

(56) **References Cited**

U.S. PATENT DOCUMENTS

| | | | | |
|--------------|---------|----------|-------|--------|
| D180,660 S * | 7/1957 | Johnson | | D6/373 |
| D237,332 S * | 10/1975 | Laylon | | D6/373 |
| D240,483 S * | 7/1976 | Sklaroff | | D6/373 |
| 3,987,507 A | 10/1976 | Hall | | |
| D246,555 S * | 12/1977 | Laylon | | D6/373 |
| 4,132,228 A | 1/1979 | Green | | |
| D257,088 S * | 9/1980 | Guetat | | D6/373 |
| D266,716 S * | 11/1982 | Caldwell | | D6/373 |
| D274,022 S * | 5/1984 | Caldwell | | D6/373 |
| D278,779 S | 5/1985 | Sink | | |
| D338,580 S * | 8/1993 | Evans | | D6/502 |
| D350,586 S | 9/1994 | Francis | | |

| | | | | |
|----------------|---------|------------------|-------|------------|
| 5,474,362 A | 12/1995 | Albecker, III | | |
| 6,132,004 A * | 10/2000 | Carlino | | 297/452.48 |
| 6,202,234 B1 * | 3/2001 | Henderson | | 5/653 |
| D467,444 S * | 12/2002 | Hess et al. | | D6/373 |
| 6,532,202 B1 | 3/2003 | Wada et al. | | |
| D523,276 S * | 6/2006 | Kuo | | D6/601 |
| 7,216,388 B2 | 5/2007 | Bieganeck et al. | | |
| 7,395,566 B2 * | 7/2008 | Hetzel et al. | | 5/653 |

* cited by examiner

Primary Examiner—Mimosa De

(74) Attorney, Agent, or Firm—Paul R. Martin

(57) **CLAIM**

The ornamental design for maternal comfort chair, as shown and described.

DESCRIPTION

FIG. 1 is a perspective view of a maternal comfort chair of this invention.

FIG. 2 is an front elevational view of the chair shown in FIG. 1.

FIG. 3 is a side elevational view of the chair shown in FIG. 1.

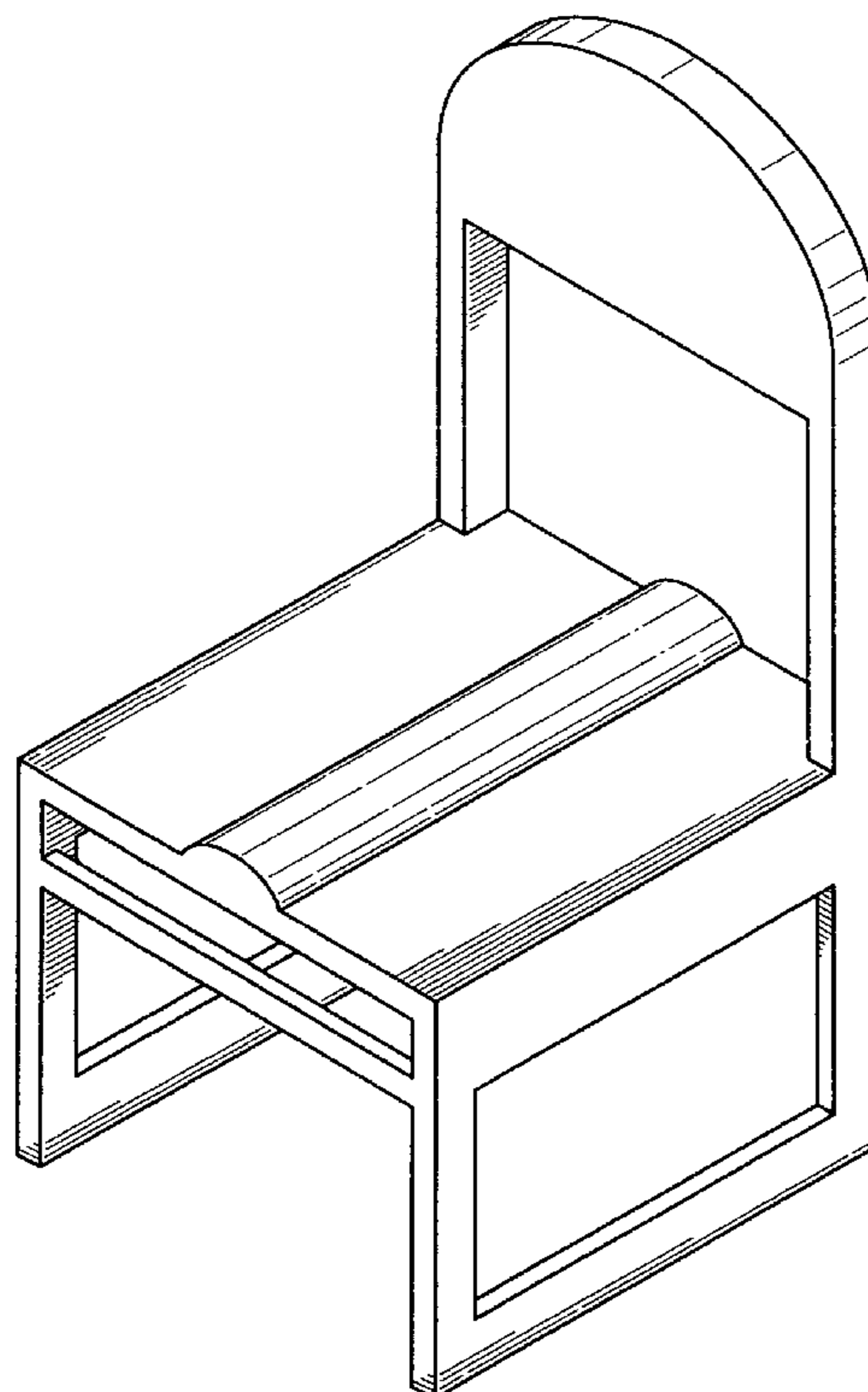
FIG. 4 is a rear elevational view of the chair shown in FIG. 1.

FIG. 5 is an side elevational view of the opposite side of the chair to that shown in FIG. 3.

FIG. 6 is a top plan view of the chair shown in FIG. 1; and,

FIG. 7 is a bottom plan view of the chair shown in FIG. 1.

1 Claim, 4 Drawing Sheets



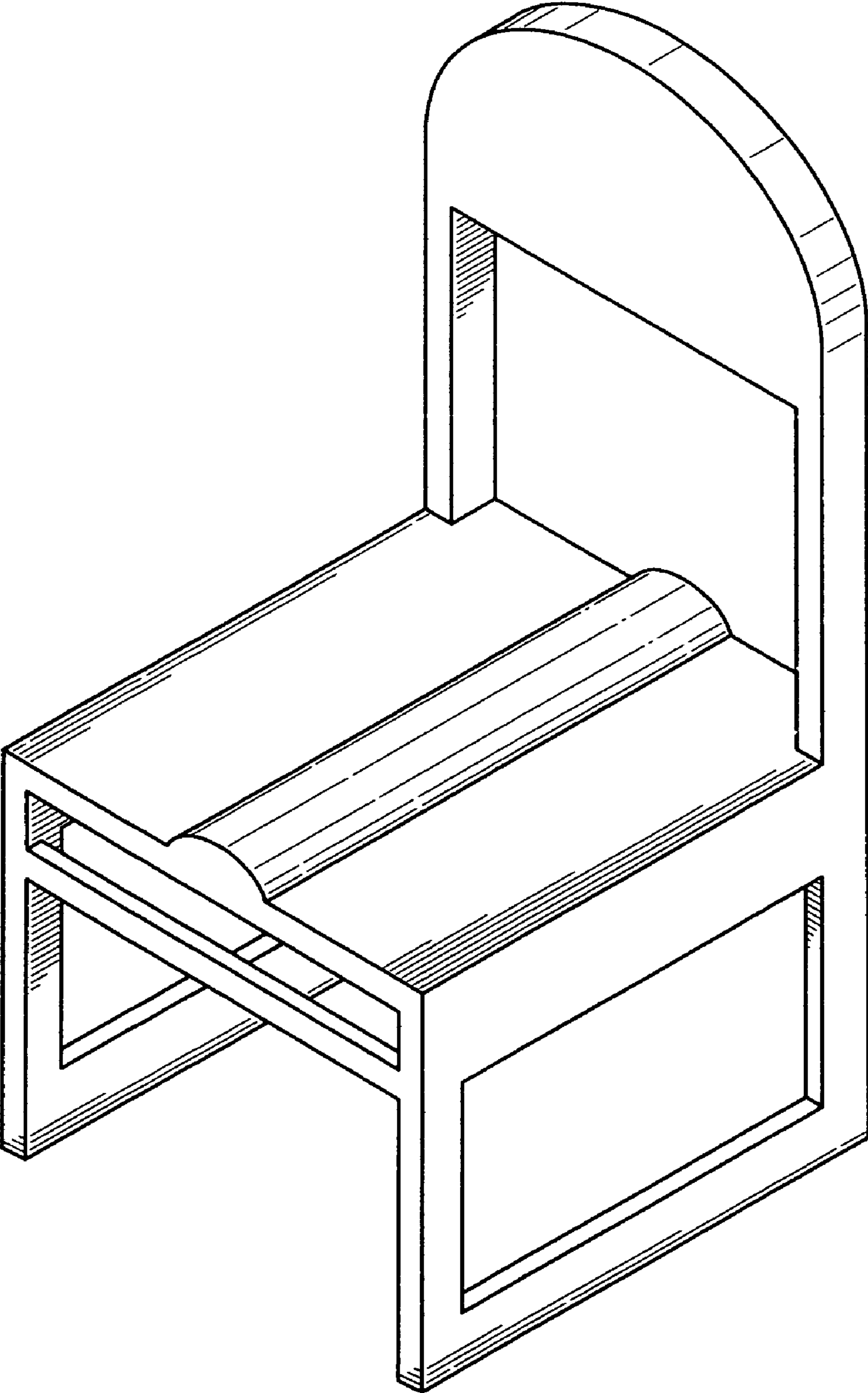


FIG. 1

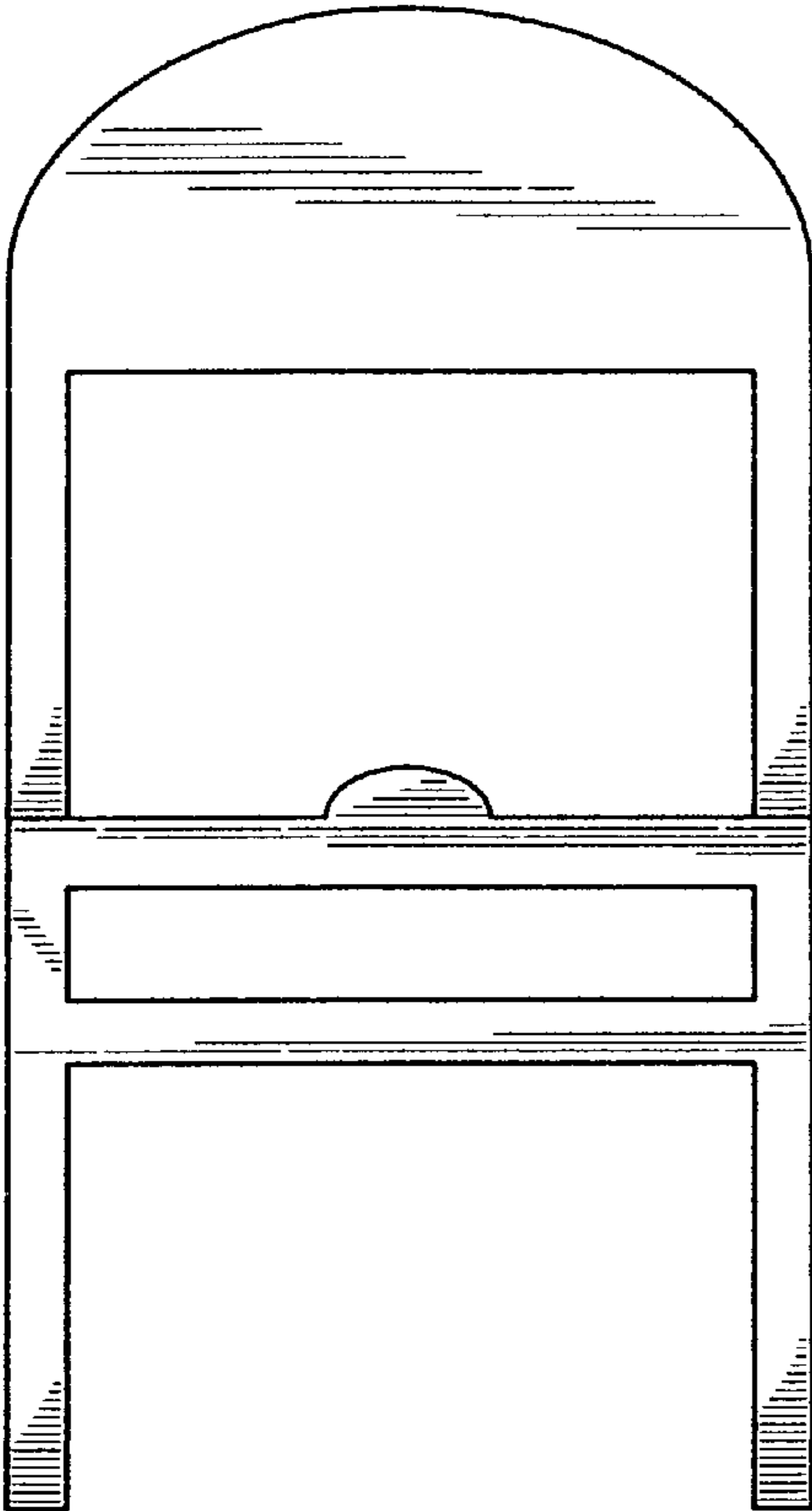


FIG. 2

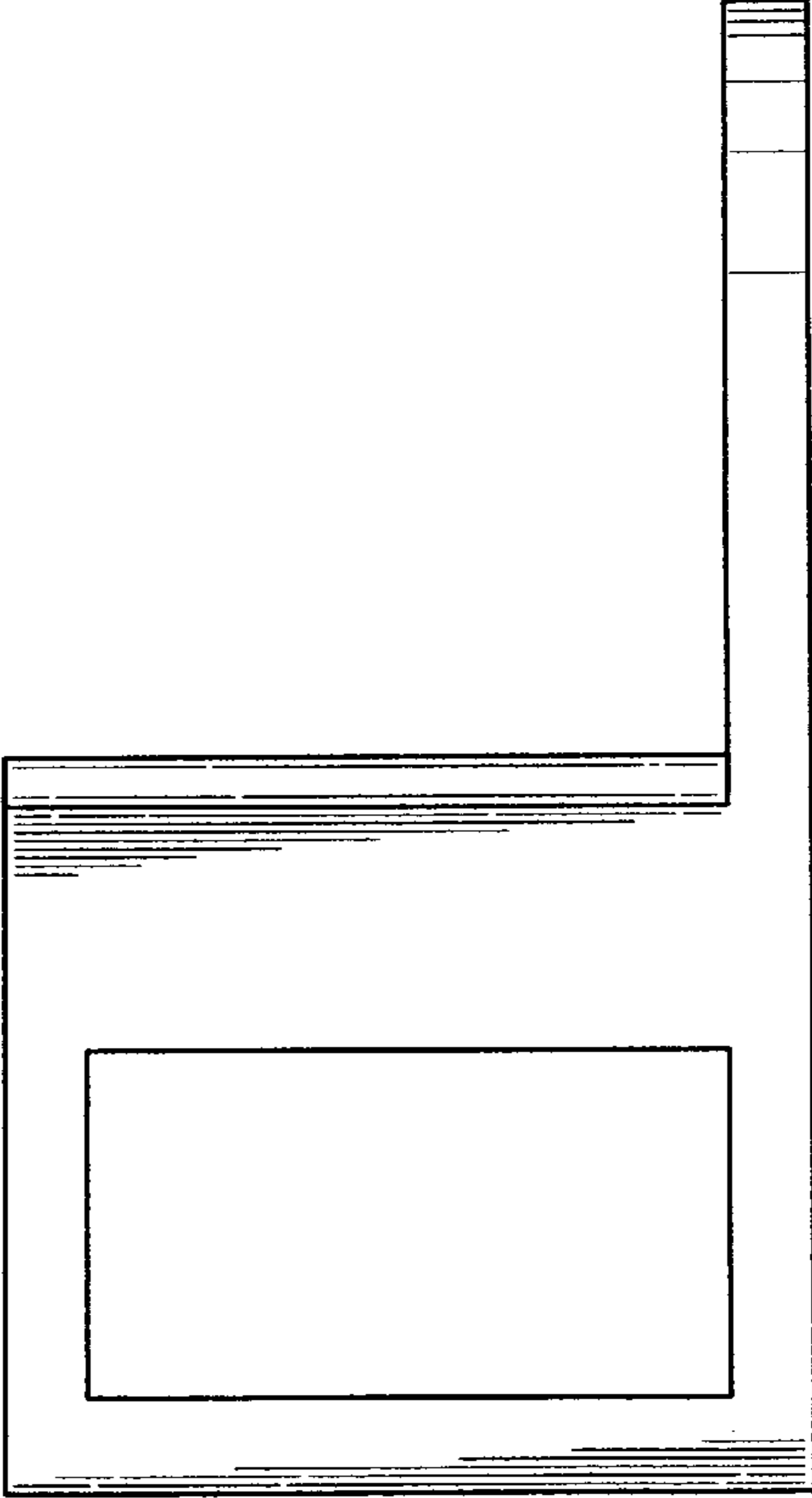


FIG. 3

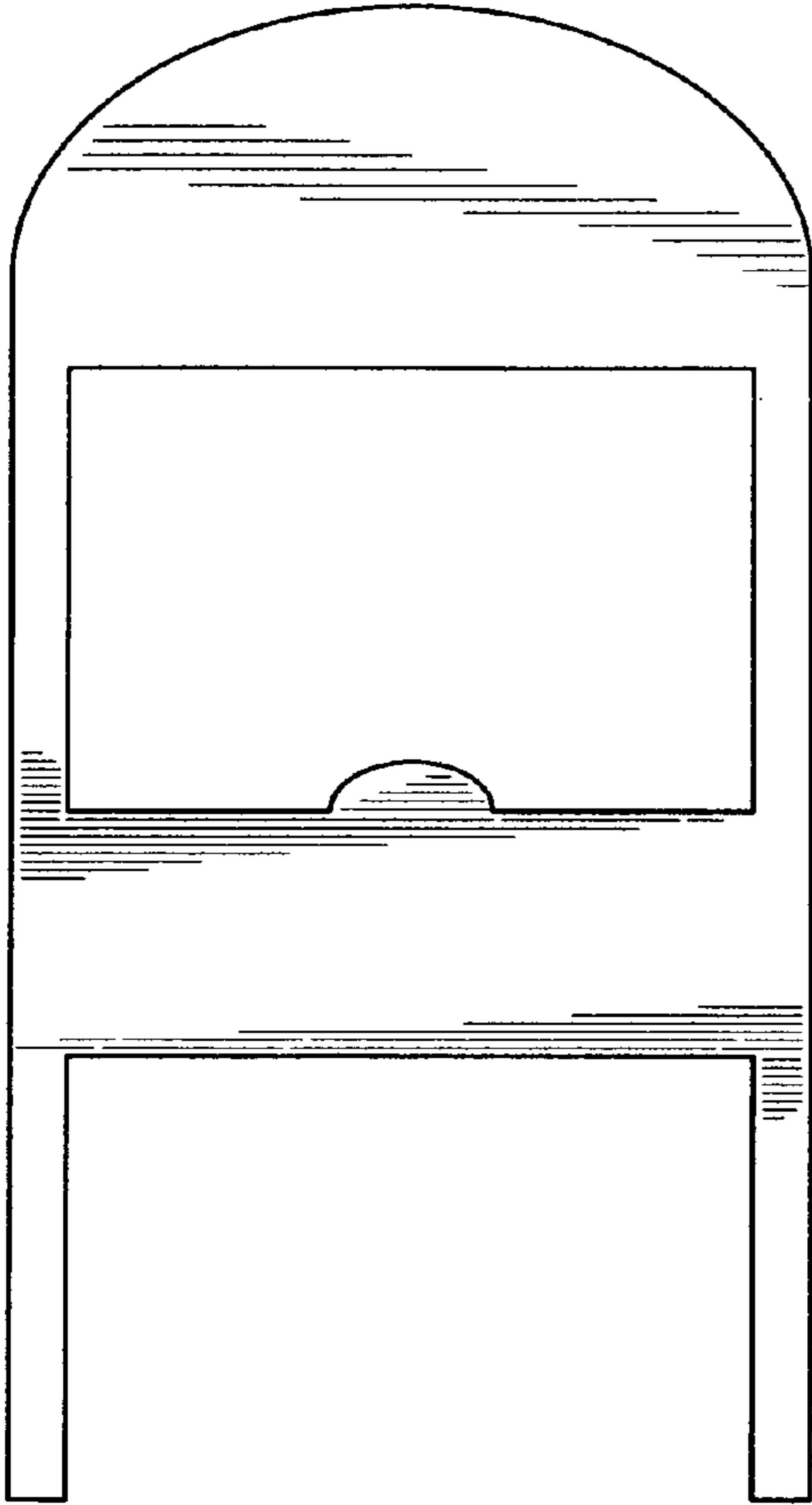


FIG. 4

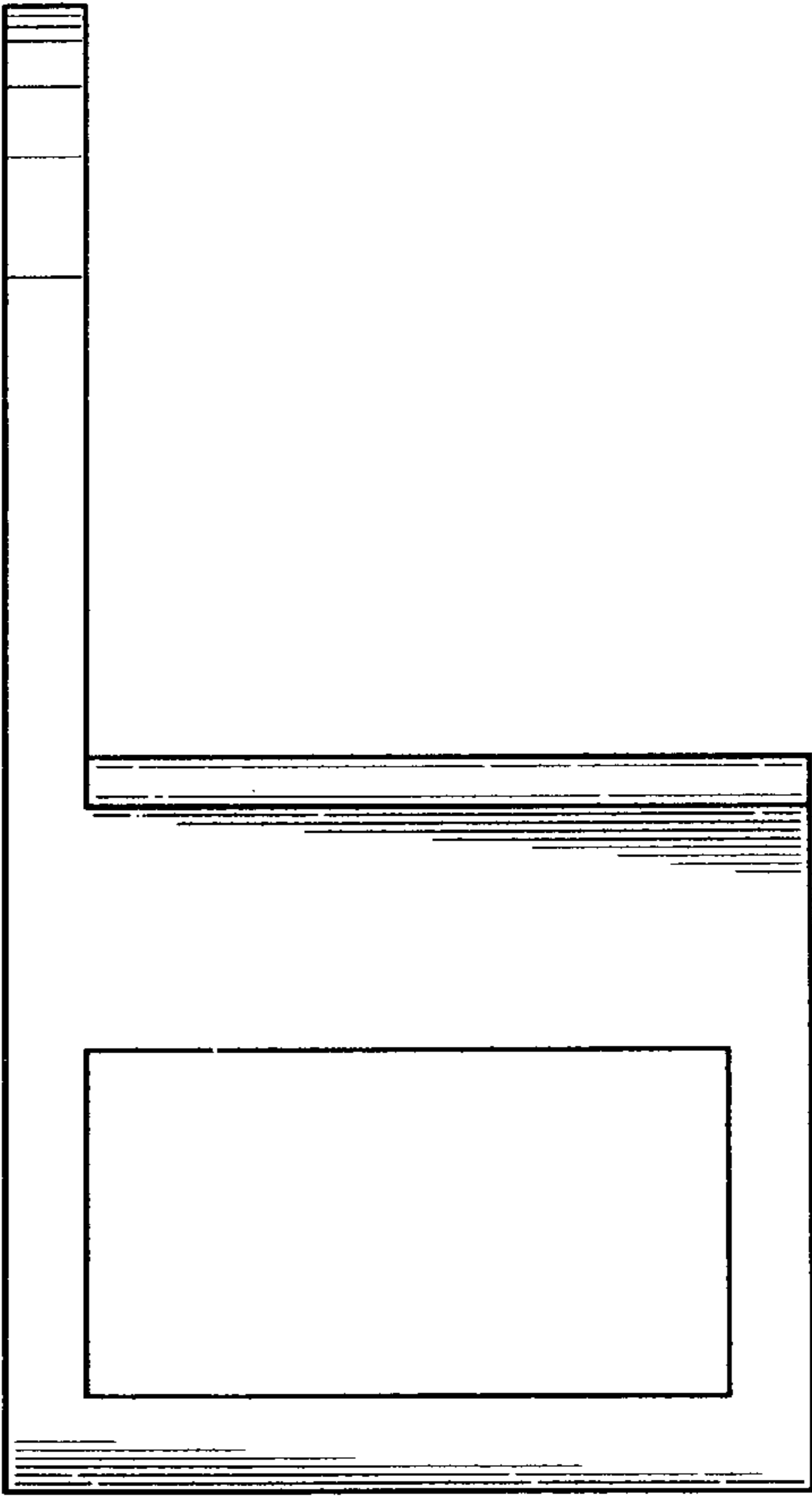


FIG. 5

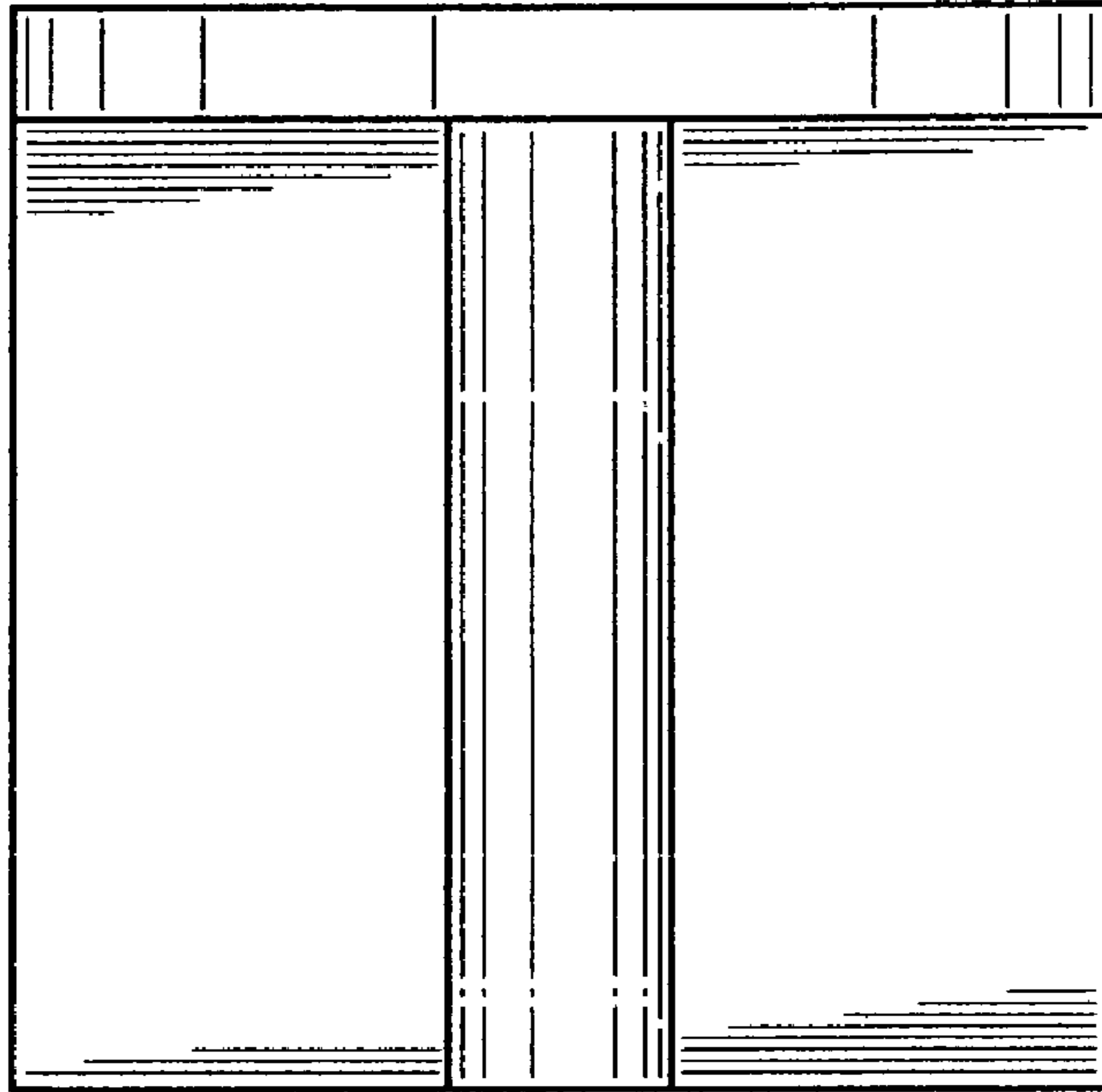


FIG. 6

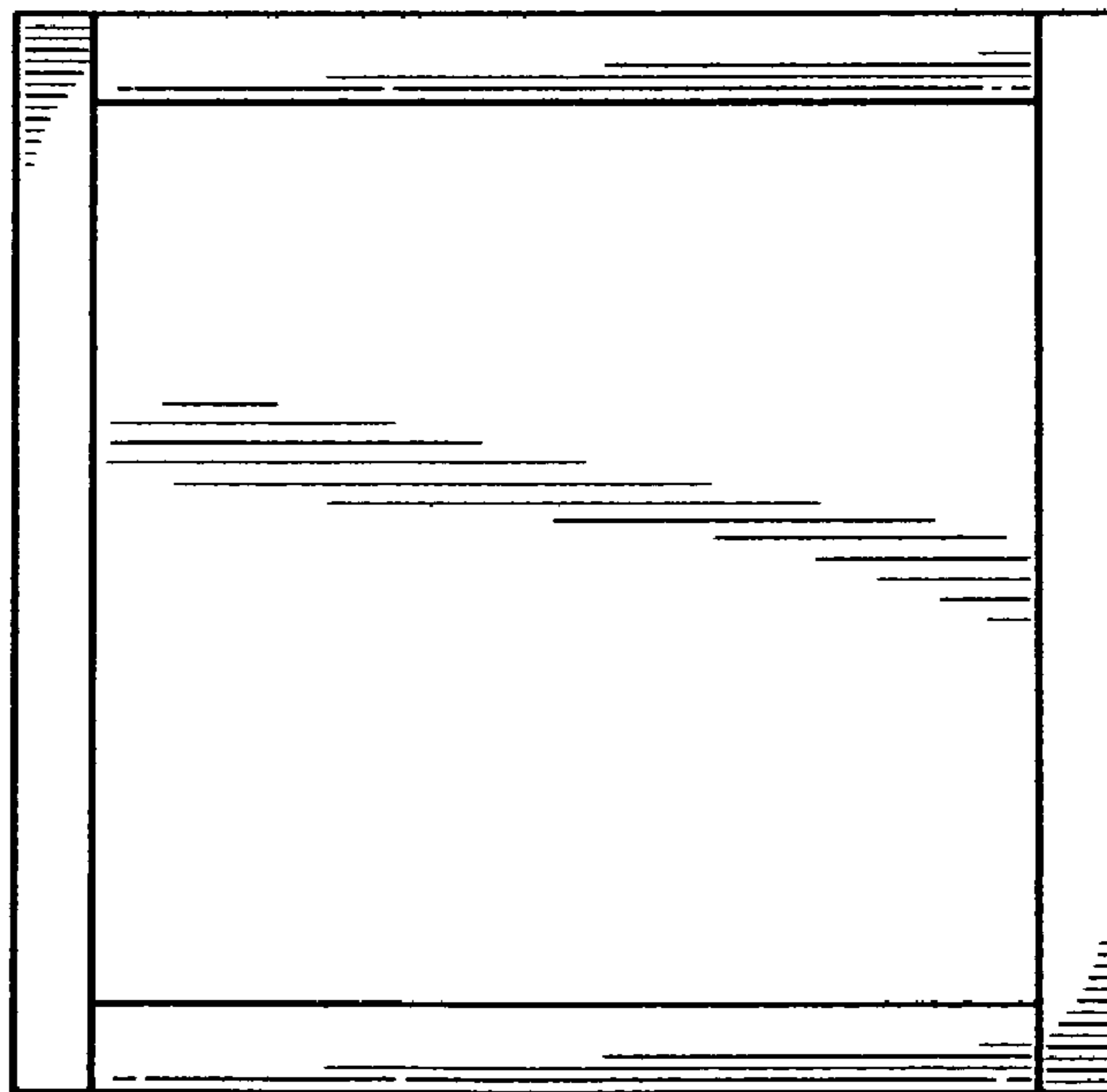


FIG. 7