



US00D607219S

(12) **United States Design Patent**  
**Goldman**

(10) **Patent No.:** **US D607,219 S**

(45) **Date of Patent:** **\*\* Jan. 5, 2010**

(54) **TOP SIZER CLIP**

(75) Inventor: **Stuart Goldman**, Wayne, NJ (US)

(73) Assignee: **Uniplast Industries, Inc.**, Hasbrouck Heights, NJ (US)

(\*\*) Term: **14 Years**

(21) Appl. No.: **29/245,826**

(22) Filed: **Dec. 28, 2005**

(51) **LOC (9) Cl.** ..... **06-08**

(52) **U.S. Cl.** ..... **D6/328**

(58) **Field of Classification Search** ..... D6/315,  
D6/317, 318, 319, 326, 328; 211/13.1, 85.3,  
211/183; 223/85-98; D21/789, 797; D14/204;  
141/110; 361/309

See application file for complete search history.

(56) **References Cited**

U.S. PATENT DOCUMENTS

3,259,153	A *	7/1966	Haase	141/110
D282,982	S *	3/1986	Kodet	D6/328
5,388,024	A *	2/1995	Galvagni	361/309
5,388,354	A	2/1995	Marshall et al.	
5,503,310	A	4/1996	Zuckerman et al.	
5,628,132	A	5/1997	Marshall et al.	
5,775,553	A	7/1998	Marshall et al.	
5,794,363	A	8/1998	Marshall et al.	
5,857,276	A	1/1999	Marshall et al.	
5,884,422	A	3/1999	Marshall et al.	

D441,823	S *	5/2001	Blackhurst	D21/797
D449,744	S *	10/2001	Zuckerman	D6/328
D471,888	S *	3/2003	Solland	D14/204
D476,053	S *	6/2003	Goserud	D21/789
6,726,067	B2	4/2004	Louw et al.	
D510,198	S *	10/2005	Willardson	D6/328
D528,807	S *	9/2006	Mainetti	D6/328
D536,181	S *	2/2007	Wu	D6/328
D547,557	S *	7/2007	Wu	D6/328

\* cited by examiner

*Primary Examiner*—Stella M Reid

*Assistant Examiner*—Shanda C Hill

(74) *Attorney, Agent, or Firm*—Leason Ellis LLP

(57) **CLAIM**

The ornamental design for top sizer clip, as shown and described.

**DESCRIPTION**

FIG. 1 is a bottom perspective view of a top sizer clip showing my new design;

FIG. 2 is a front elevation view thereof, the rear being a mirror image thereof;

FIG. 3 is a right side elevation view thereof, the left side being a mirror image thereof;

FIG. 4 is a top plan view thereof; and,

FIG. 5 is a bottom plan view thereof.

**1 Claim, 2 Drawing Sheets**

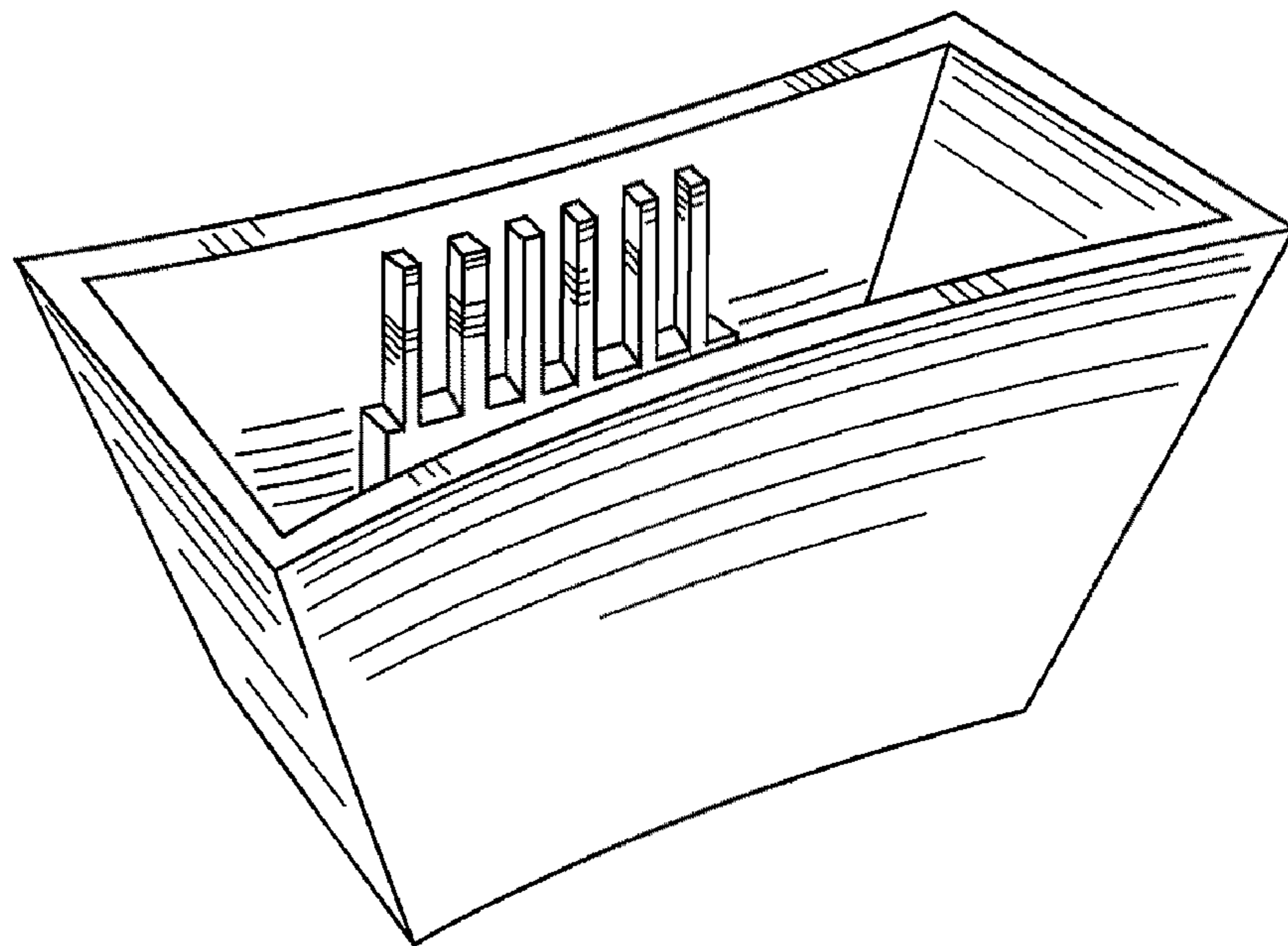


Fig. 1

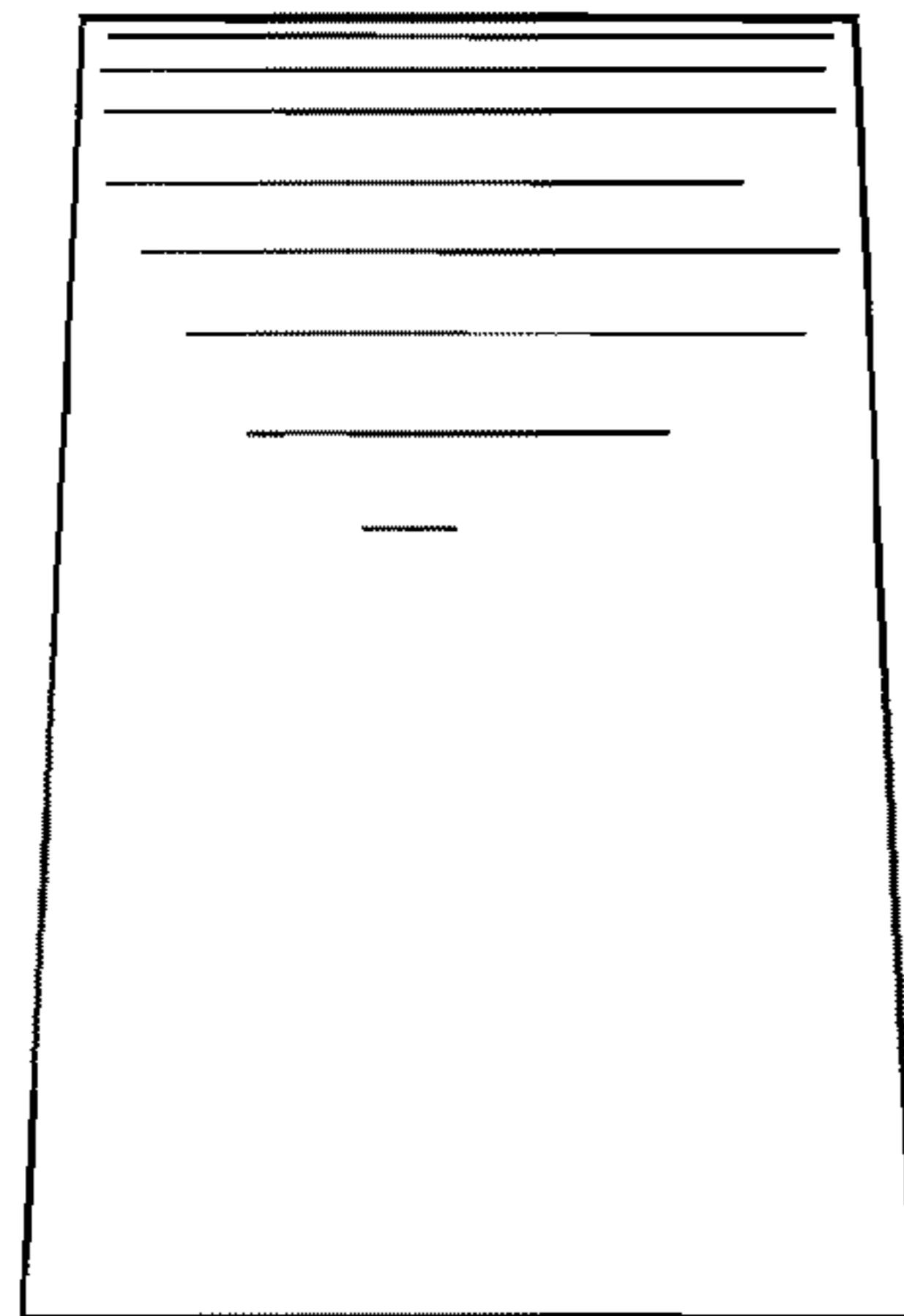
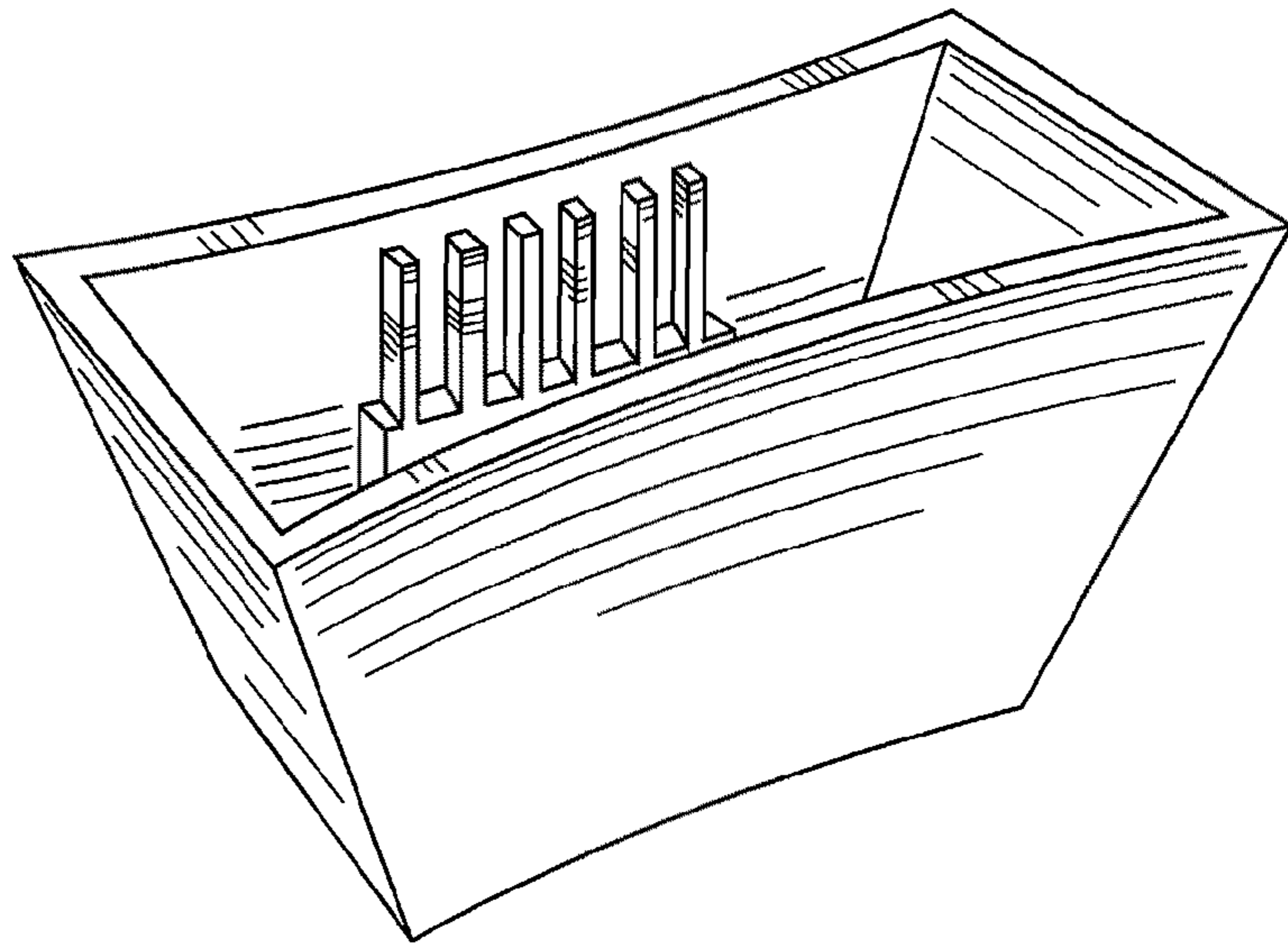


Fig. 3

Fig. 2

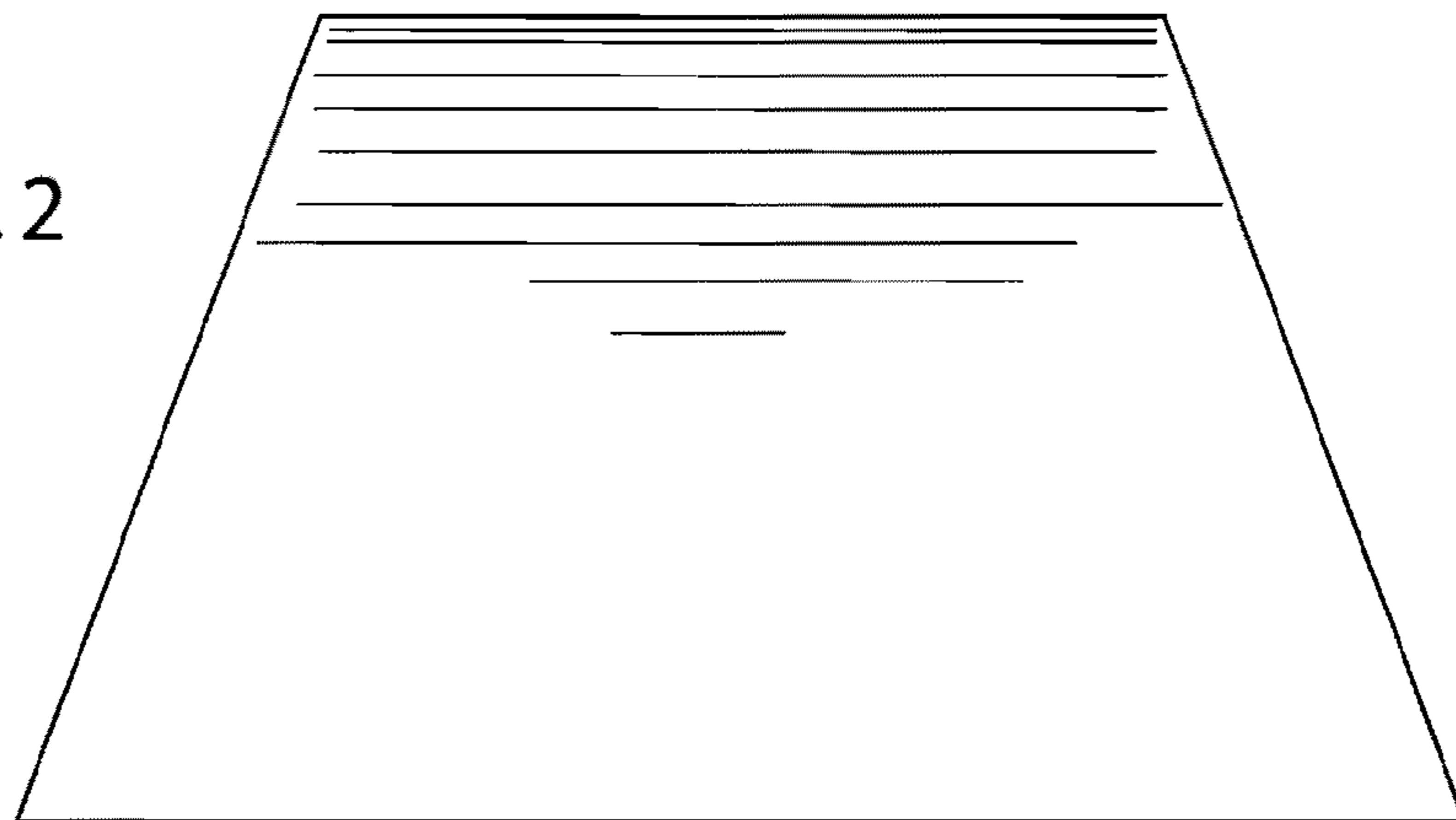


Fig. 4

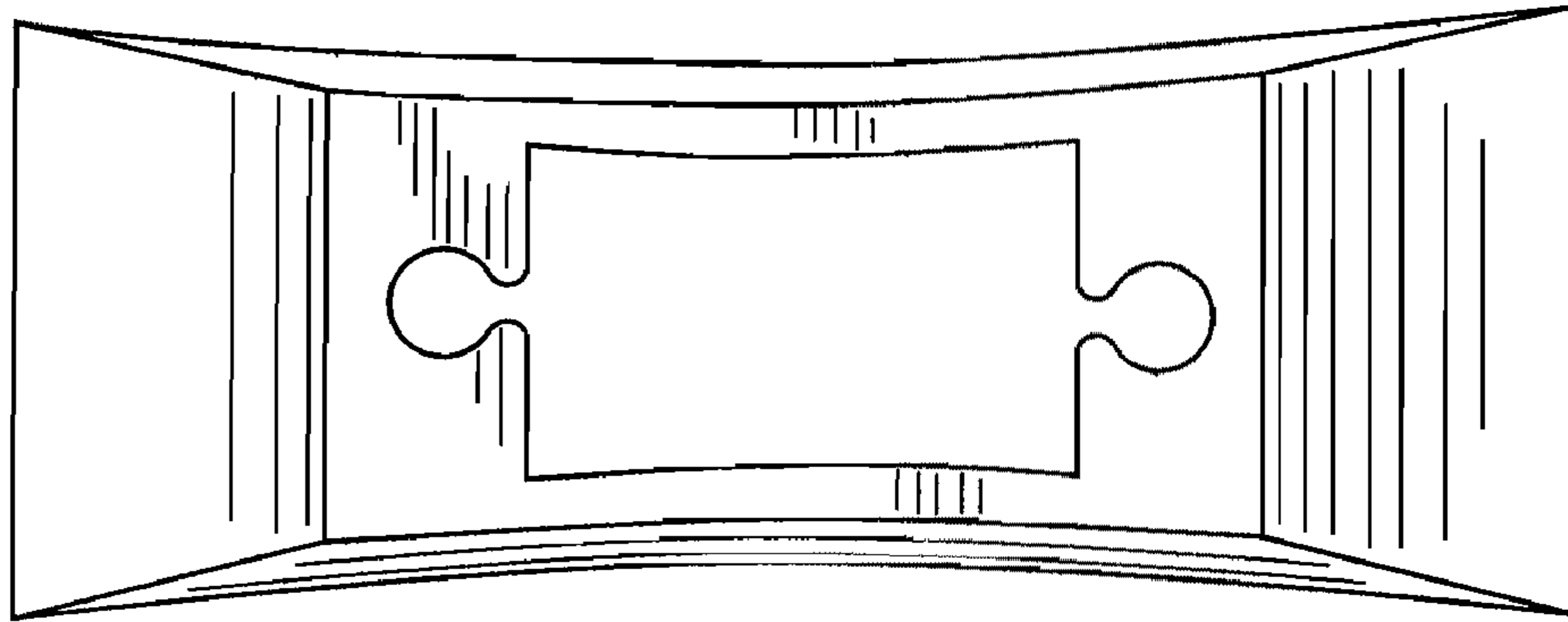


Fig. 5

