



US00D607212S

(12) **United States Design Patent**
Lian

(10) **Patent No.:** **US D607,212 S**
(45) **Date of Patent:** **** Jan. 5, 2010**

(54) **CAULKING TAPE ROLL**

(76) Inventor: **Frank Lian**, Wesenbergsmuet 3B,
Bergen (NO) 5003

(**) Term: **14 Years**

(21) Appl. No.: **29/296,581**

(22) Filed: **Oct. 24, 2007**

Related U.S. Application Data

(63) Continuation of application No. 10/489,737, filed on
Mar. 16, 2004, now abandoned.

(51) **LOC (9) Cl.** **05-04**

(52) **U.S. Cl.** **D5/7**

(58) **Field of Classification Search** D5/3,
D5/4, 7, 40, 45, 46, 47, 49, 52, 53, 54, 55,
D5/57, 58, 60, 61, 62, 99; D7/396.4; 428/42.2,
428/43, 57, 121, 156, 171, 187, 338, 904.4,
428/906; D6/523, 603, 608, 622; D19/69;
D10/71; D24/189; 33/494, 562, 758, 759;
40/641, 638; 206/411; 52/459; 156/71;
256/1

See application file for complete search history.

(56) **References Cited**

U.S. PATENT DOCUMENTS

3,455,077 A * 7/1969 Long 52/459
4,007,835 A * 2/1977 Klothe 206/411
4,582,737 A * 4/1986 Torgerson et al. 428/57
5,212,002 A 5/1993 Madrzak
5,246,775 A 9/1993 Loscuito
5,658,632 A * 8/1997 Krabill 428/43

D396,958 S * 8/1998 Welch D5/7
5,820,958 A * 10/1998 Swallow 428/42.2
6,001,200 A * 12/1999 Hibler 156/71
D421,528 S * 3/2000 Shakora D5/99
D448,935 S * 10/2001 Barnholtz et al. D5/53
D452,617 S * 1/2002 Nguyen D5/7
6,523,275 B2 * 2/2003 Medford et al. 33/759
D472,319 S * 3/2003 Oltmann D24/189
6,772,532 B1 * 8/2004 Honea 33/759
D572,156 S * 7/2008 Payne D10/71
D596,409 S * 7/2009 Santisteban D5/7
2005/0279981 A1 * 12/2005 Onbey 256/1

FOREIGN PATENT DOCUMENTS

JP 60-24378 2/1985
JP 10-128192 5/1998

* cited by examiner

Primary Examiner—Robert M Spear

Assistant Examiner—Barbara B Lohr

(74) *Attorney, Agent, or Firm*—Christian Abel

(57) **CLAIM**

The ornamental design for a caulking tape roll, as shown.

DESCRIPTION

FIG. 1 is a perspective view of a first embodiment of the
caulking tape role according to the invention with tape unroll-
ing from the bottom of the role; and,

FIG. 2 is a perspective view of a second embodiment of the
caulking tape role according to the invention with tape unroll-
ing from the top of the role, shown in an alternate condition of
use.

1 Claim, 1 Drawing Sheet

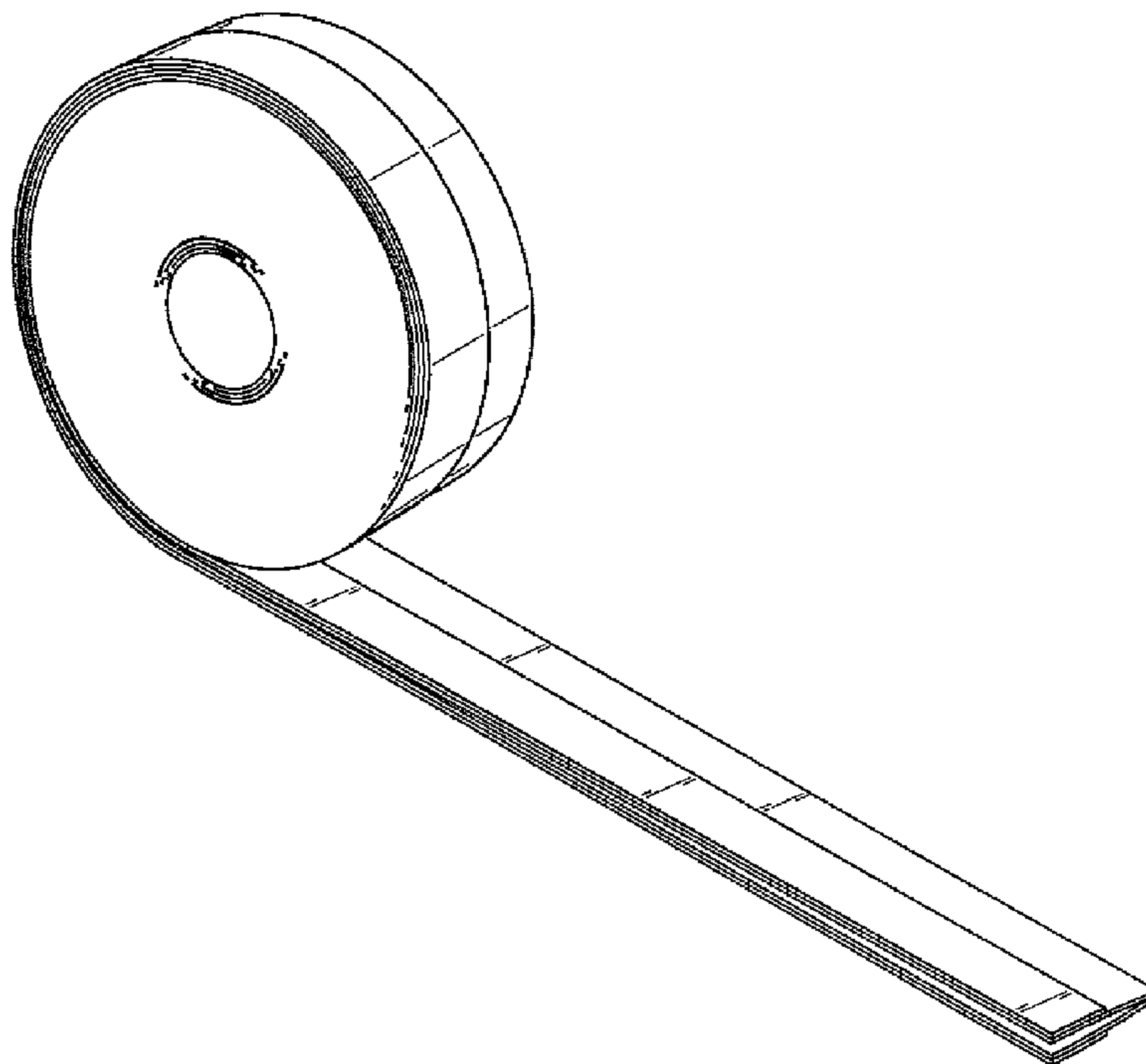


Fig. 1.

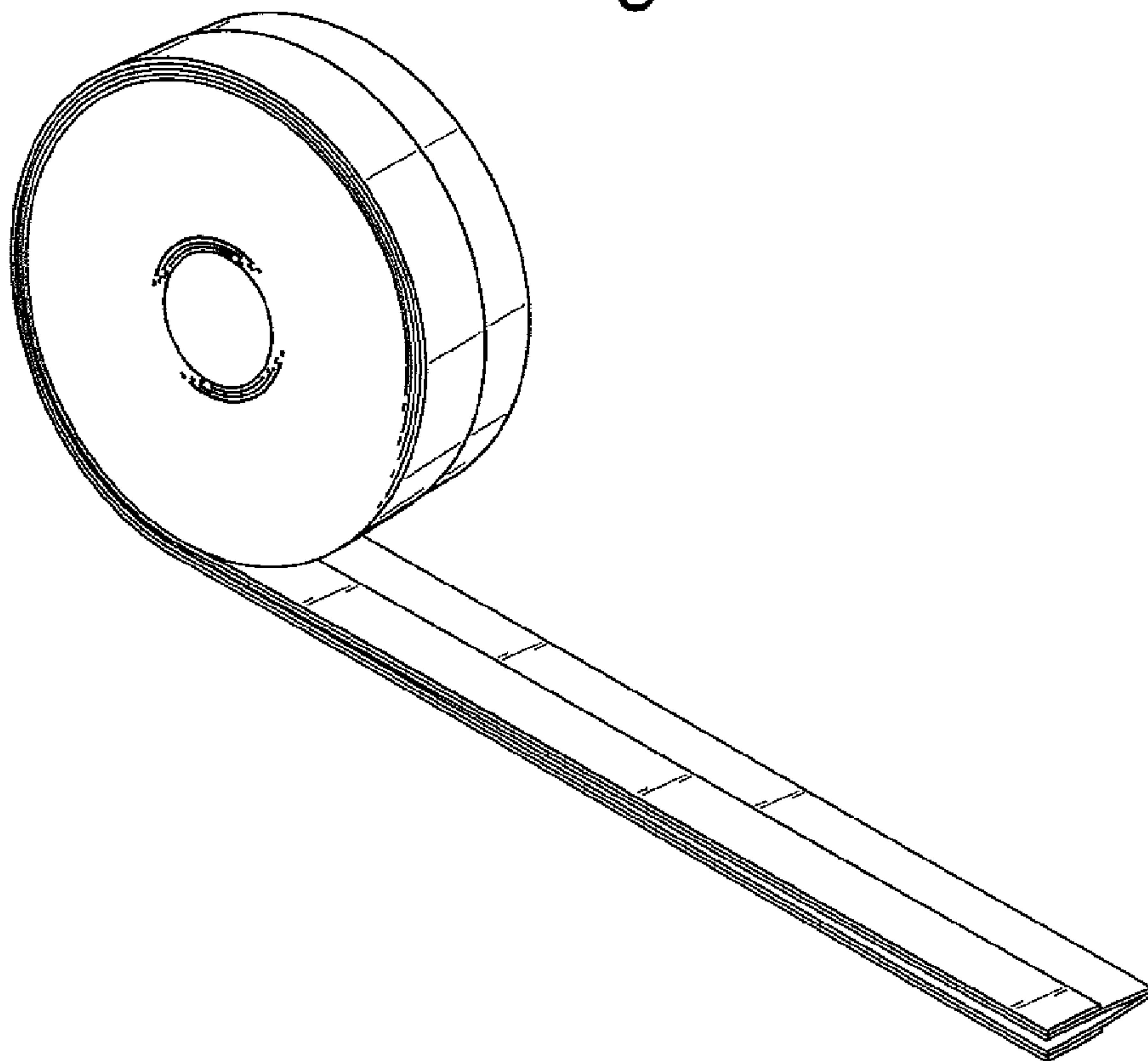


Fig. 2.

