



US00D607206S

(12) **United States Design Patent**  
**Waldman**

(10) **Patent No.:** **US D607,206 S**  
(45) **Date of Patent:** **\*\* Jan. 5, 2010**

(54) **PARTITIONED SOFT WALLET**

D586,121 S 2/2009 Holzner  
7,513,076 B1 4/2009 Gehrts

(75) Inventor: **Matthew Waldman**, New York, NY  
(US)

(73) Assignee: **Nooka, Inc.**, New York, NY (US)

(\*\*) Term: **14 Years**

(21) Appl. No.: **29/314,685**

(22) Filed: **Apr. 17, 2009**

(51) **LOC (9) Cl.** ..... **03-01**

(52) **U.S. Cl.** ..... **D3/247**

(58) **Field of Classification Search** ..... D3/247,  
D3/249-252; 150/130-132

See application file for complete search history.

(56) **References Cited**

**U.S. PATENT DOCUMENTS**

788,060	A *	4/1905	Otto	.....	150/131
D359,310	S *	6/1995	Su	.....	D19/90
7,461,473	B2	12/2008	Riley		
D584,050	S	1/2009	Austin		
D584,895	S	1/2009	Holzner		
D585,642	S	2/2009	Rosenberg		
D585,643	S	2/2009	Preston-Hall		

**OTHER PUBLICATIONS**

Tumi Corp Cat., Mar. 17, 2009, www.tumi.com, 22 pages.

\* cited by examiner

*Primary Examiner*—Holly H Baynham

(74) *Attorney, Agent, or Firm*—The Martinez Group PLLC

(57) **CLAIM**

The ornamental design for a partitioned soft wallet, as shown and described.

**DESCRIPTION**

FIG. 1 is a perspective front view of new design for a partitioned soft wallet, in accordance with the presently disclosed design;

FIG. 2 is a Front view thereof;

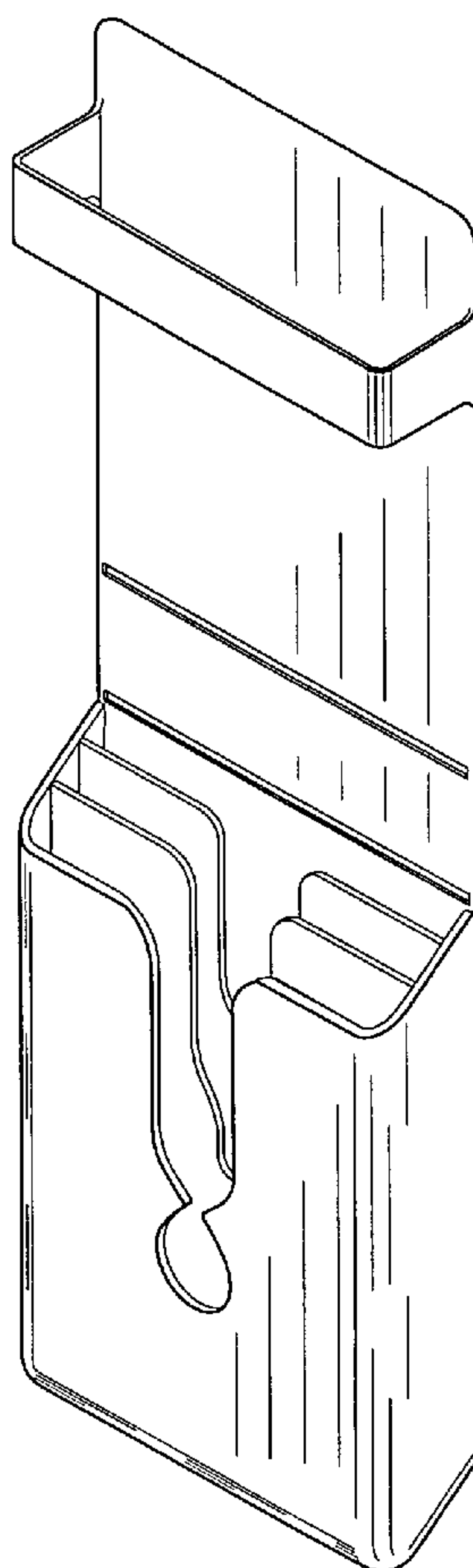
FIG. 3 is a Right Side view thereof; the Left Side being a mirror image thereof;

FIG. 4 is a Back view thereof;

FIG. 5 is a Top view thereof; and,

FIG. 6 is a Bottom view thereof.

**1 Claim, 5 Drawing Sheets**



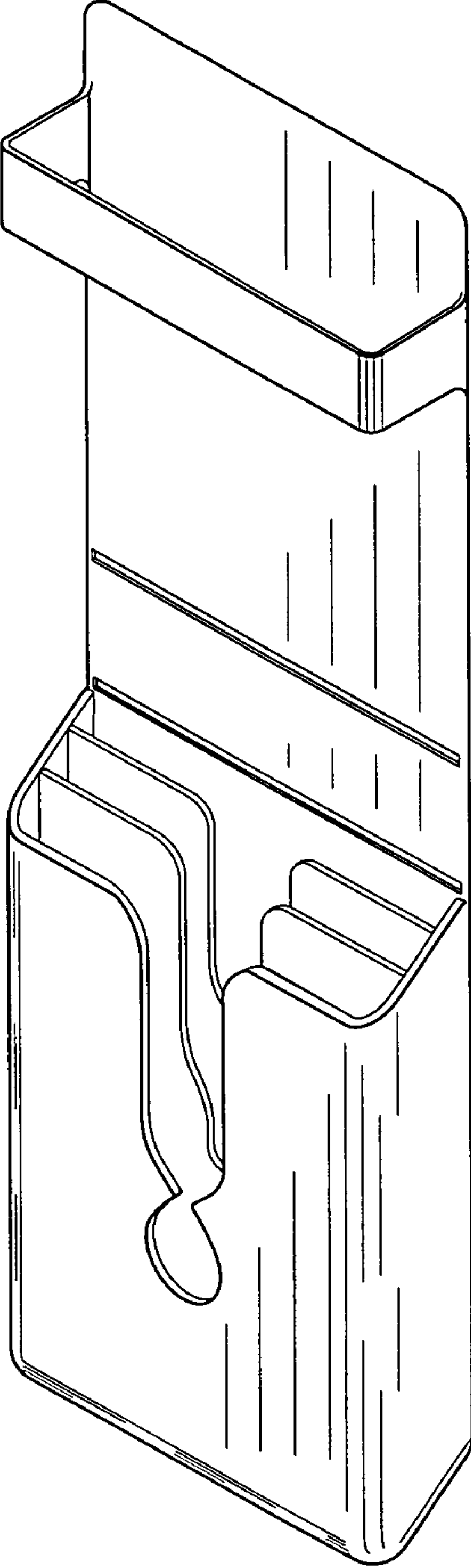


FIG. 1

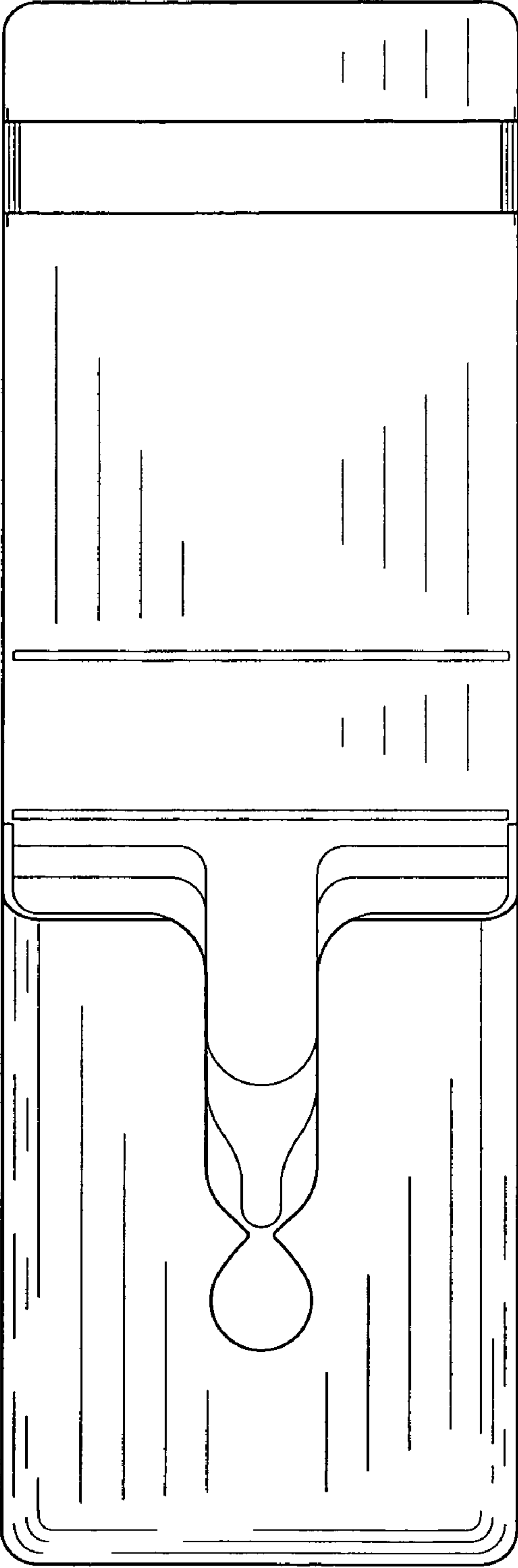
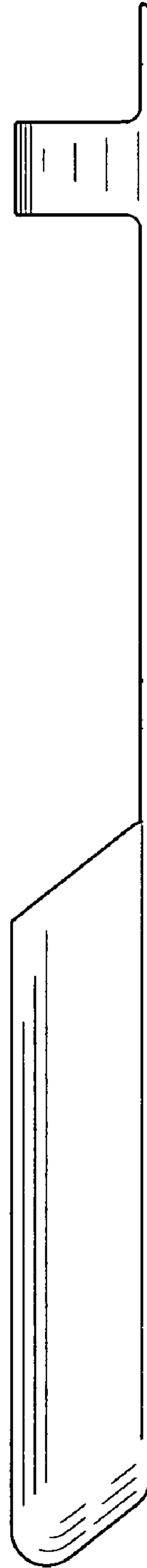
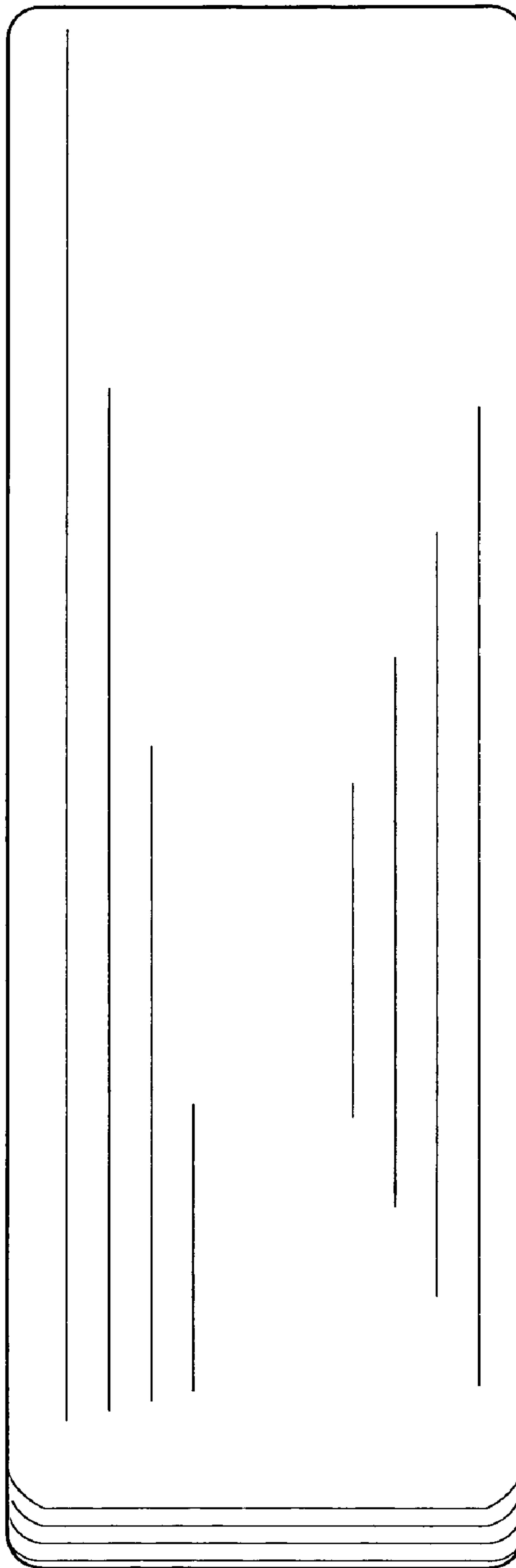


FIG. 2



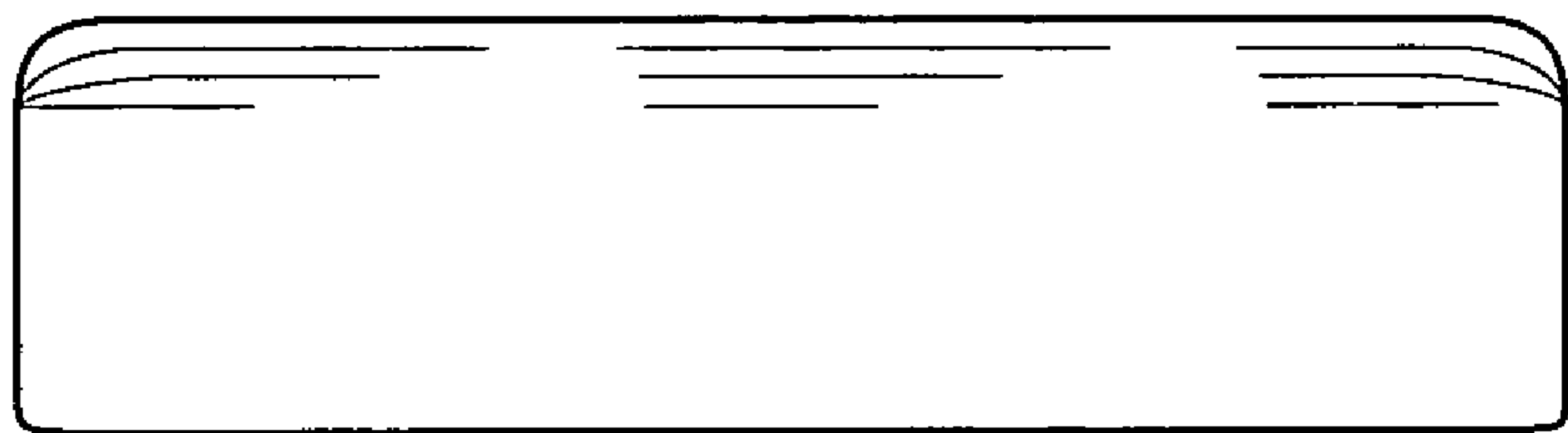
**FIG 3.**



**FIG 4.**



**FIG 5**



**FIG 6**