



US00D607202S

(12) **United States Design Patent**
Pidgeon et al.

(10) **Patent No.:** **US D607,202 S**
(45) **Date of Patent:** **** *Jan. 5, 2010**

(54) **DOUBLE FLAP BAG**

(75) Inventors: **Andy Duncan Pidgeon**, Cambs (GB);
Richard Mann, Cambridge (GB)

(73) Assignee: **Smith & Nephew PLC**, London (GB)

(*) Notice: This patent is subject to a terminal disclaimer.

(**) Term: **14 Years**

(21) Appl. No.: **29/320,523**

(22) Filed: **Jun. 27, 2008**

(30) **Foreign Application Priority Data**

Dec. 28, 2007 (EM) 000851001-0001

(51) **LOC (9) Cl.** **03-01**

(52) **U.S. Cl.** **D3/232**

(58) **Field of Classification Search** D3/232,
D3/240-252; 150/100, 103-104, 106-110,
150/113-114, 118-119, 130-132

See application file for complete search history.

(56) **References Cited**

U.S. PATENT DOCUMENTS

D408,625 S * 4/1999 Barker D3/203.1

D543,691 S * 6/2007 Payne et al. D3/203.1
D545,055 S * 6/2007 Lieberman et al. D3/203.1
D548,954 S * 8/2007 Andersen et al. D3/203.1
D556,444 S * 12/2007 Ipsen et al. D3/203.1

OTHER PUBLICATIONS

U.S. Appl. No. 29/294,234, filed Dec. 28, 2007, Pidgeon et al.

* cited by examiner

Primary Examiner—Holly H Baynham

(74) *Attorney, Agent, or Firm*—Knobbe Martens Olson & Bear LLP

(57) **CLAIM**

We claim the ornamental design for a double flap bag, as shown and described.

DESCRIPTION

FIG. 1 is a front elevation view of a double flap bag, shown with two front flaps folded back.

FIG. 2 is a top plan view of the bag of FIG. 1.

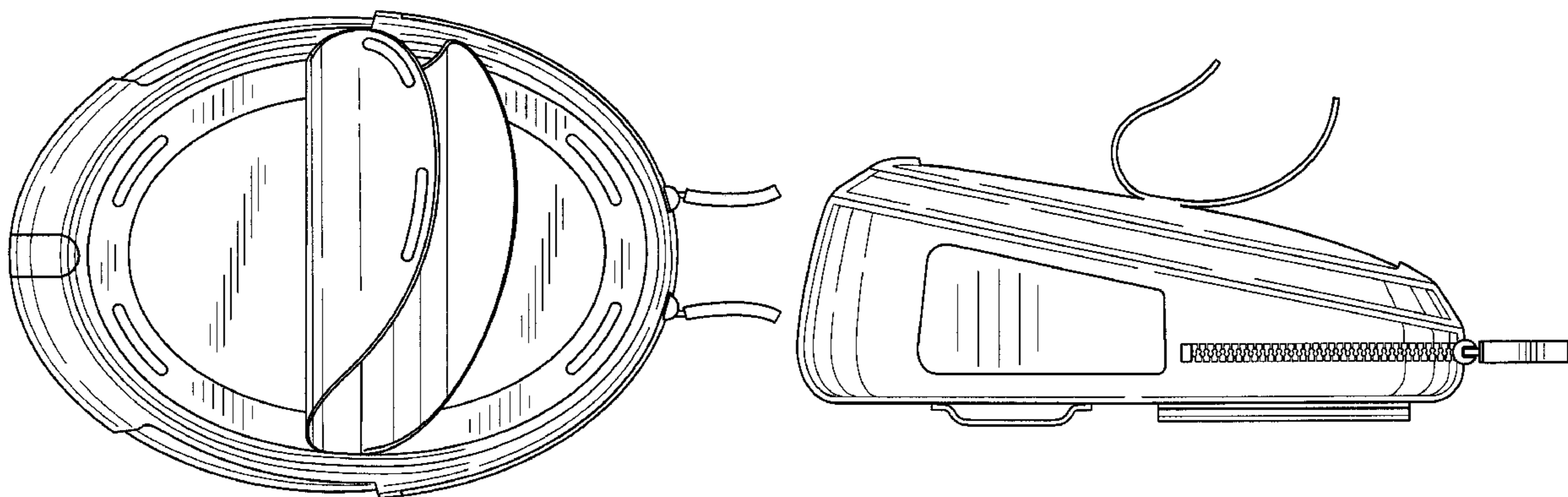
FIG. 3 is a bottom plan view of the bag of FIG. 1.

FIG. 4 is a rear elevation view of the bag of FIG. 1.

FIG. 5 is a left elevation view of the bag of FIG. 1; and,

FIG. 6 is a right elevation view of the bag of FIG. 1.

1 Claim, 3 Drawing Sheets



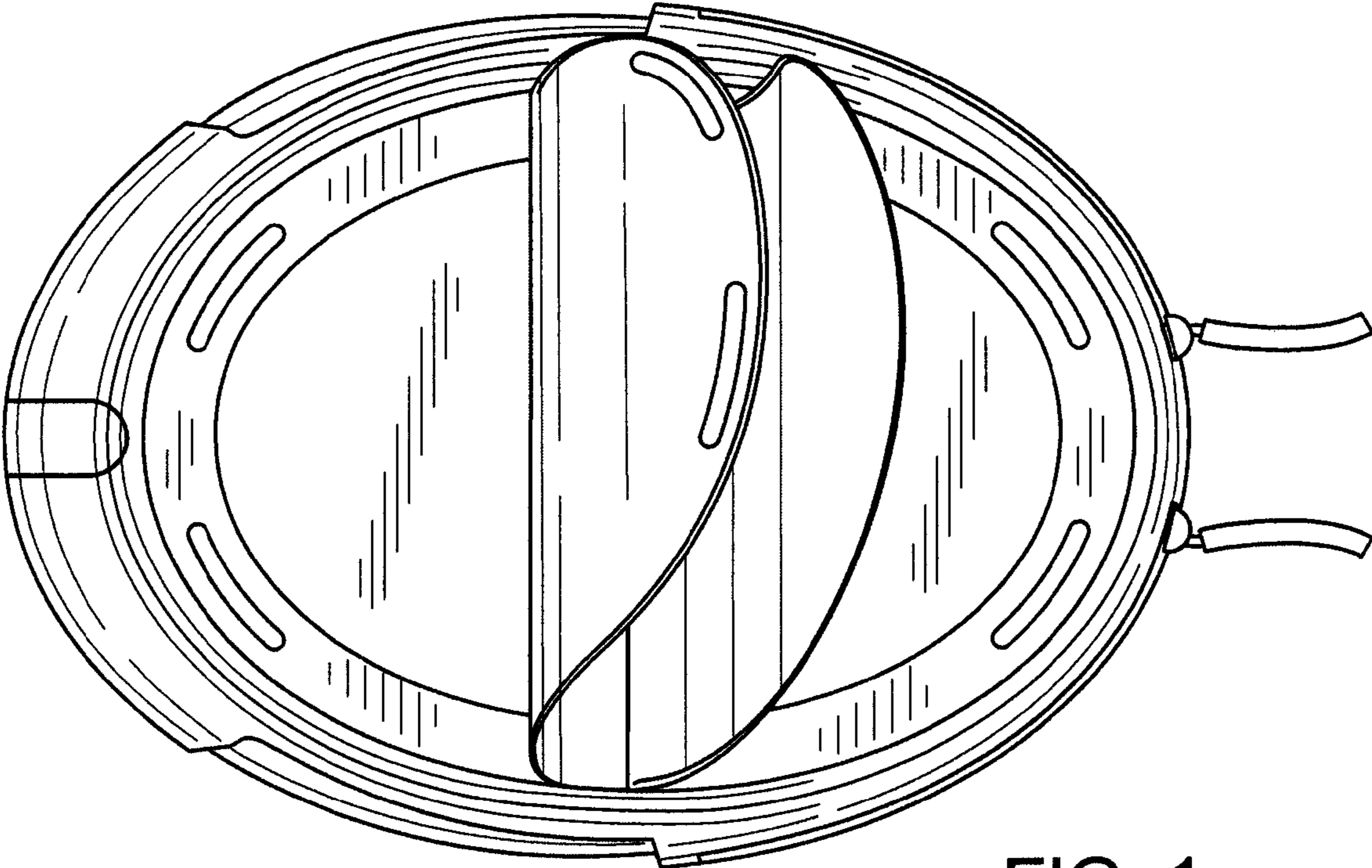


FIG. 1

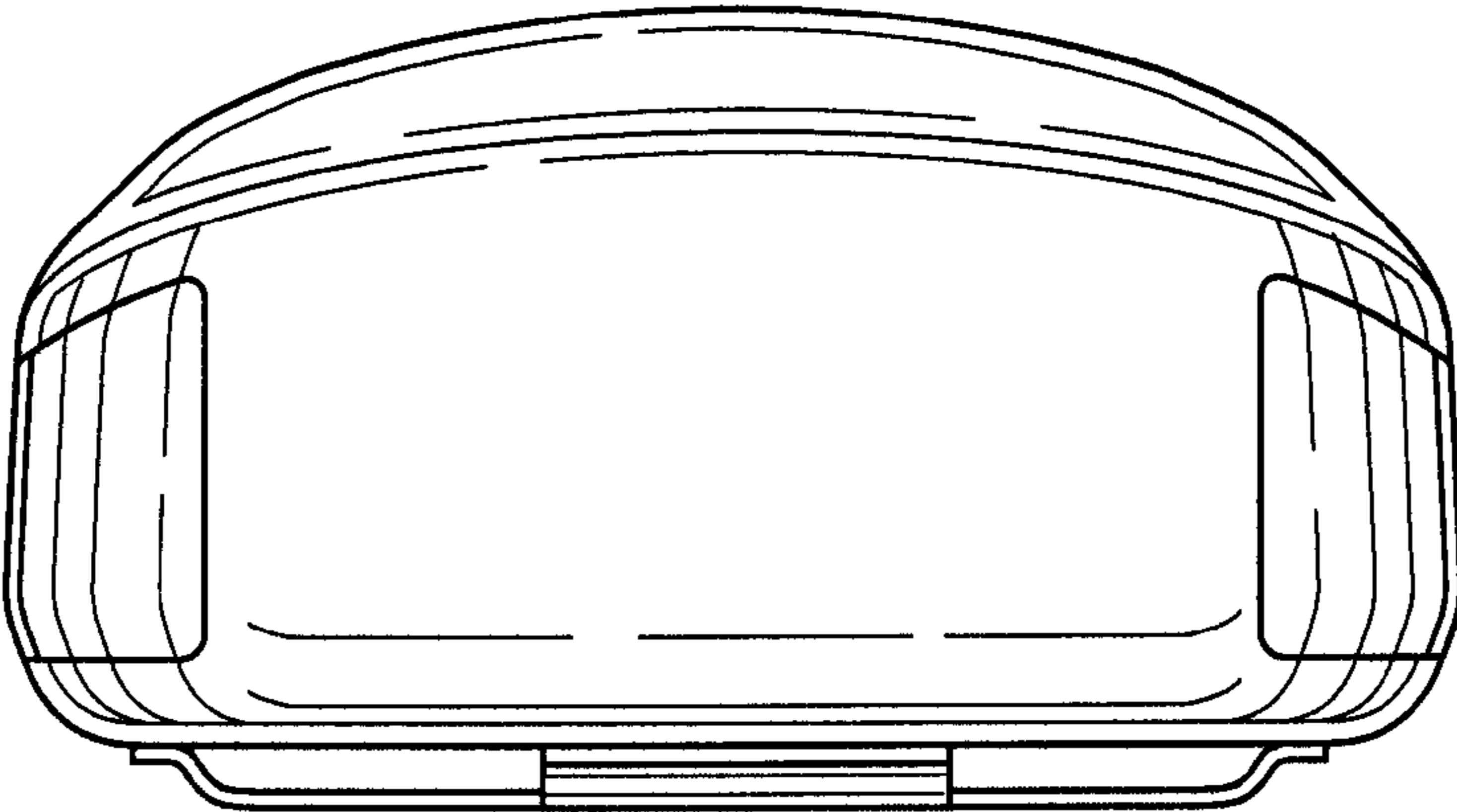


FIG. 2

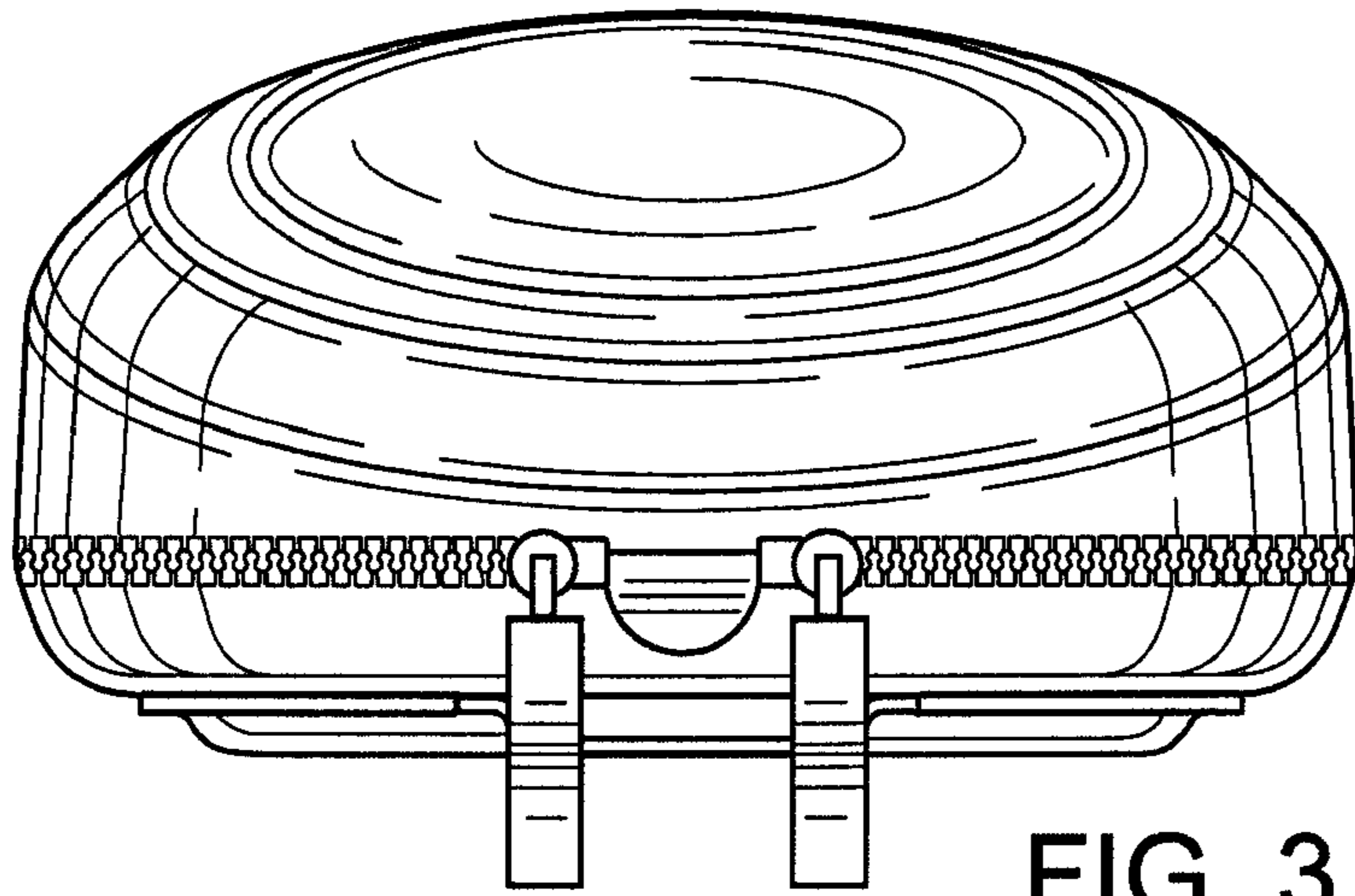


FIG. 3

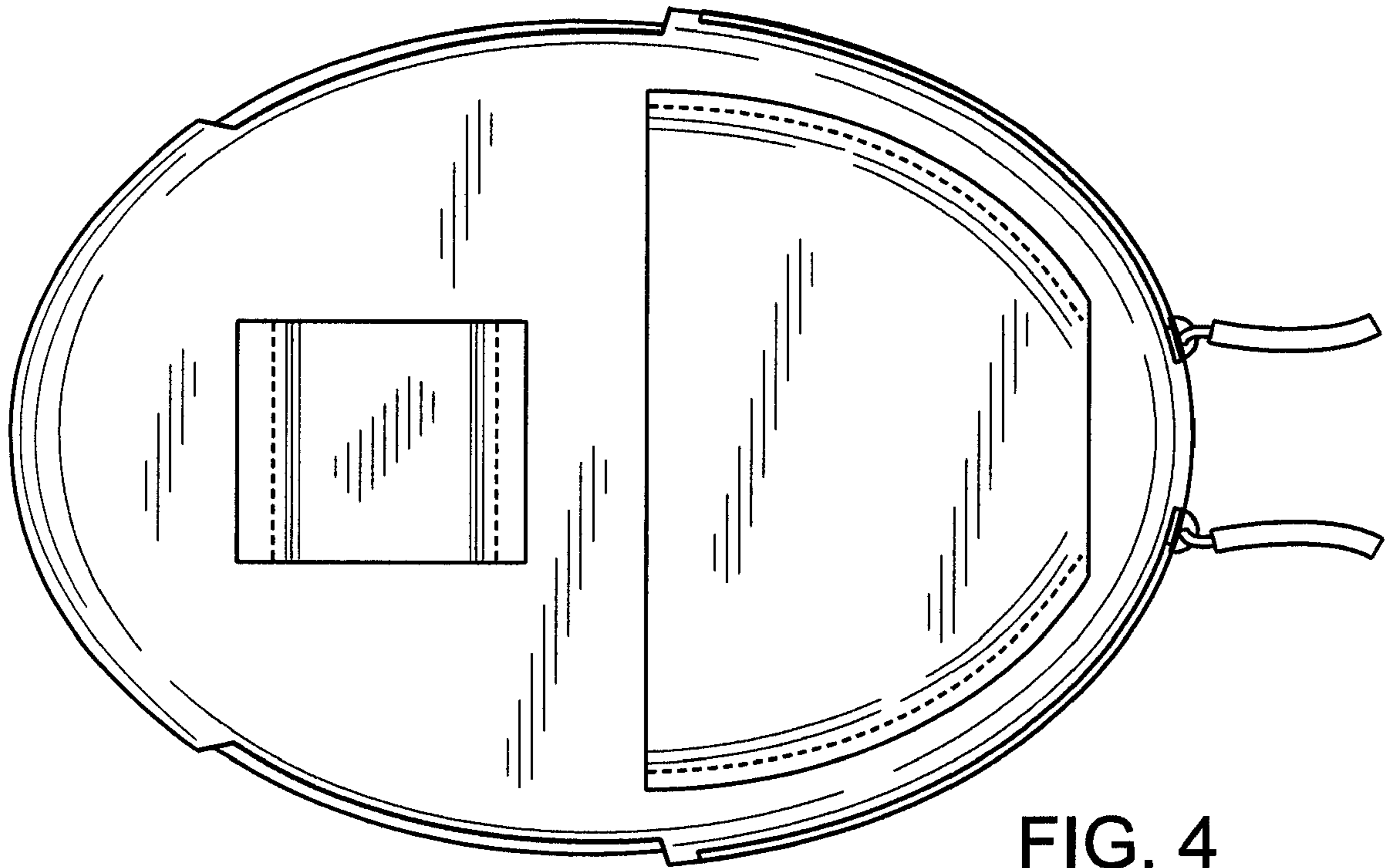


FIG. 4

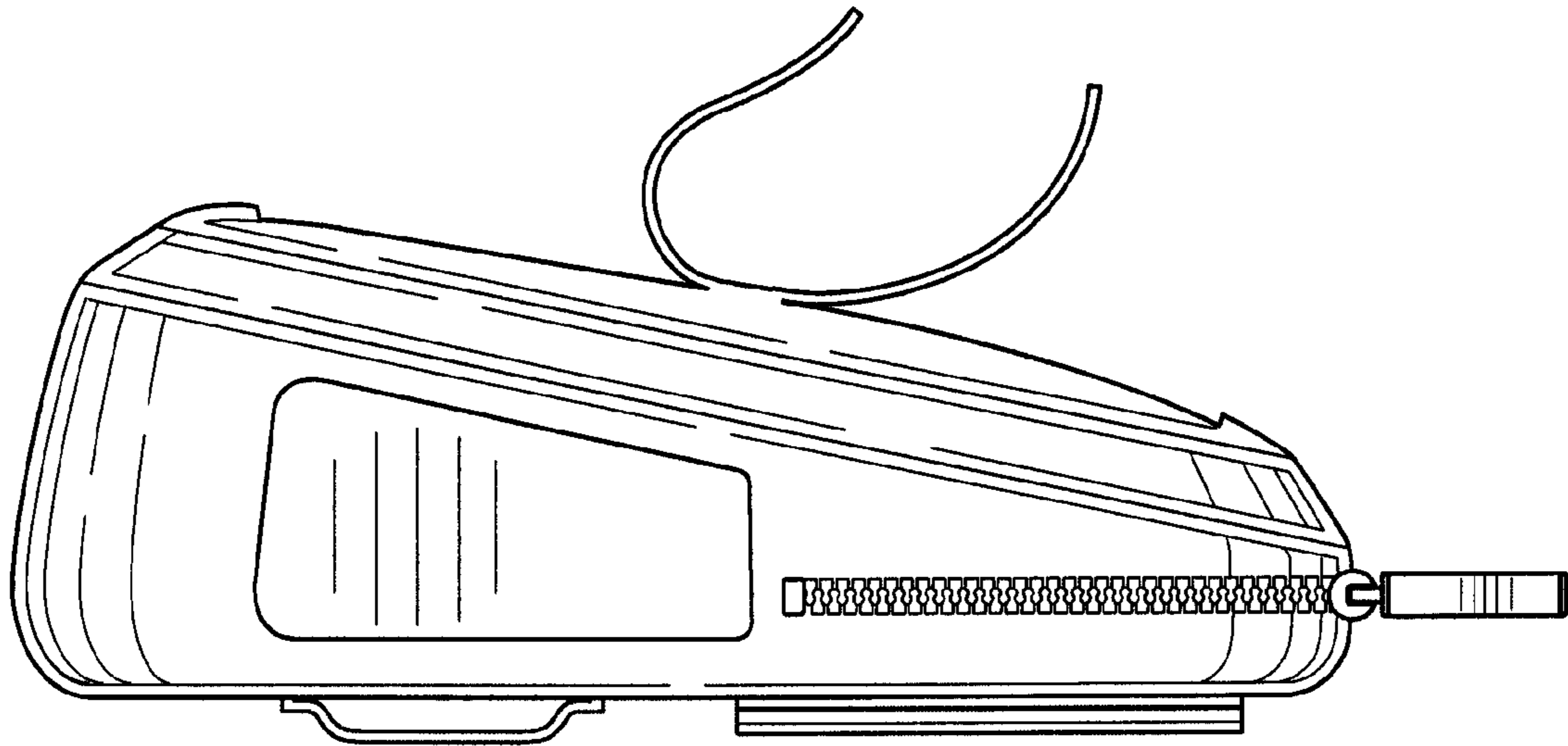


FIG. 5

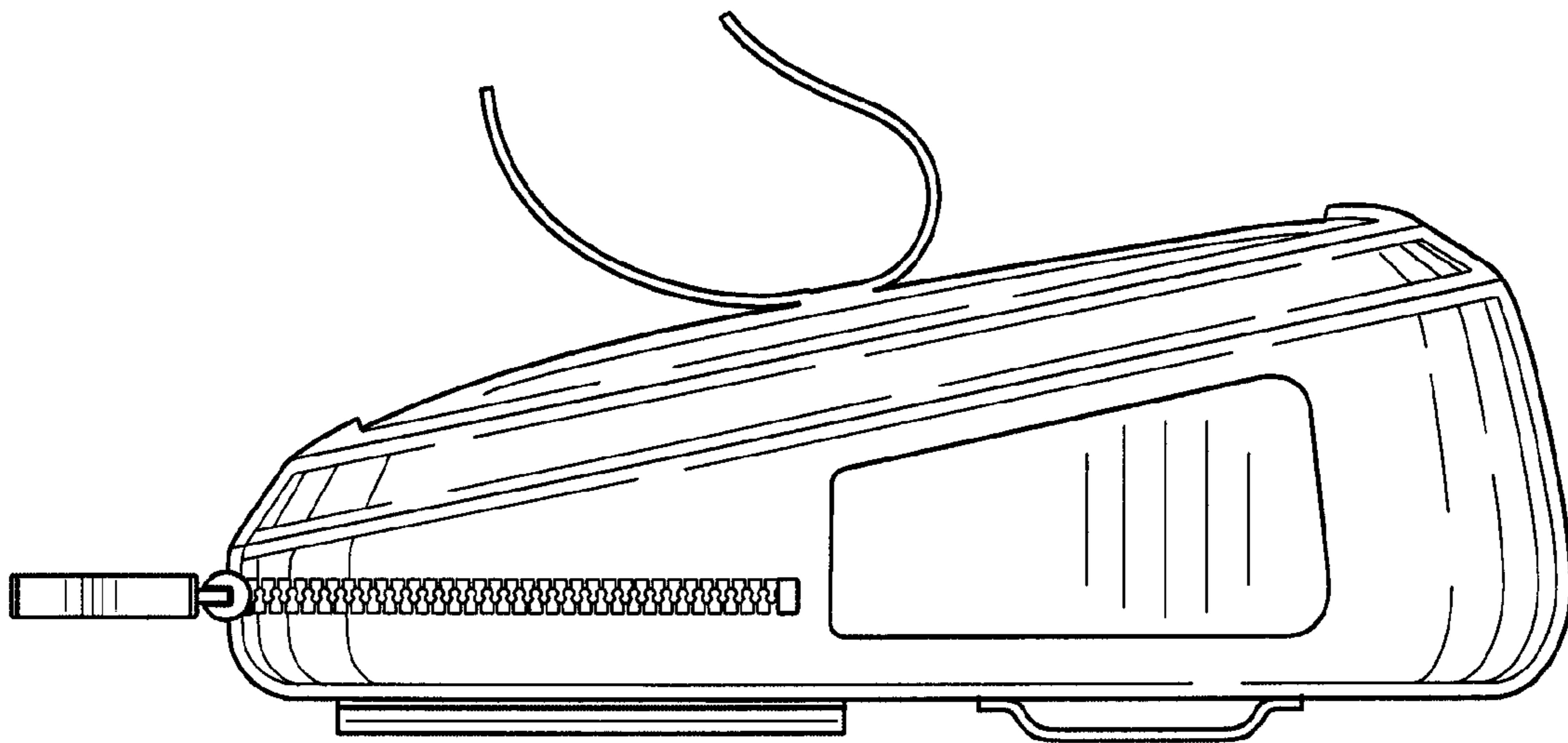


FIG. 6