



US00D607198S

(12) **United States Design Patent**
Andre et al.

(10) **Patent No.:** **US D607,198 S**
(45) **Date of Patent:** **** Jan. 5, 2010**

(54) **ELECTRONIC DEVICE HOLDER**

(75) Inventors: **Bartley K. Andre**, Menlo Park, CA (US); **Daniel J. Coster**, San Francisco, CA (US); **Daniele De Iuliis**, San Francisco, CA (US); **Richard P. Howarth**, San Francisco, CA (US); **Jonathan P. Ive**, San Francisco, CA (US); **Duncan Robert Kerr**, San Francisco, CA (US); **Shin Nishibori**, Portola Valley, CA (US); **Matthew Dean Rohrbach**, San Francisco, CA (US); **Peter Russell-Clarke**, San Francisco, CA (US); **Douglas B. Satzger**, Menlo Park, CA (US); **Calvin Q. Seid**, Palo Alto, CA (US); **Vincent Keane Seid**, legal representative, Los Gatos, CA (US); **Christopher J. Stringer**, Woodside, CA (US); **Eugene Antony Whang**, San Francisco, CA (US); **Rico Zorkendorfer**, San Francisco, CA (US)

(73) Assignee: **Apple Inc.**, Cupertino, CA (US)

(**) Term: **14 Years**

(21) Appl. No.: **29/284,344**

(22) Filed: **Sep. 5, 2007**

(51) **LOC (9) Cl.** **03-01**

(52) **U.S. Cl.** **D3/218**

(58) **Field of Classification Search** D3/218–219,
D3/215, 224, 226, 221; 224/240–241, 904,
224/219, 222, 267, 257, 682, 666

See application file for complete search history.

(56) **References Cited**

U.S. PATENT DOCUMENTS

D306,654 S 3/1990 Brown

(Continued)

Primary Examiner—Catherine R Oliver
(74) *Attorney, Agent, or Firm*—Sterne, Kessler, Goldstein & Fox P.L.L.C.

(57) **CLAIM**

The ornamental design for an electronic device holder, substantially as shown and described.

DESCRIPTION

The electronic device shown in FIGS. 8 and 9 may for example correspond to the electronic device shown and described in U.S. Design patent application Ser. No. 29/284,183, titled “Electronic Device,” filed Aug. 31, 2007, the disclosure of which is incorporated herein in its entirety by reference thereto.

FIG. 1 is a perspective view of an electronic device holder showing our new design;

FIG. 2 is a front view thereof;

FIG. 3 is a rear view thereof;

FIG. 4 is a top view thereof;

FIG. 5 is a bottom view thereof;

FIG. 6 is a right side view thereof;

FIG. 7 is a left side view thereof;

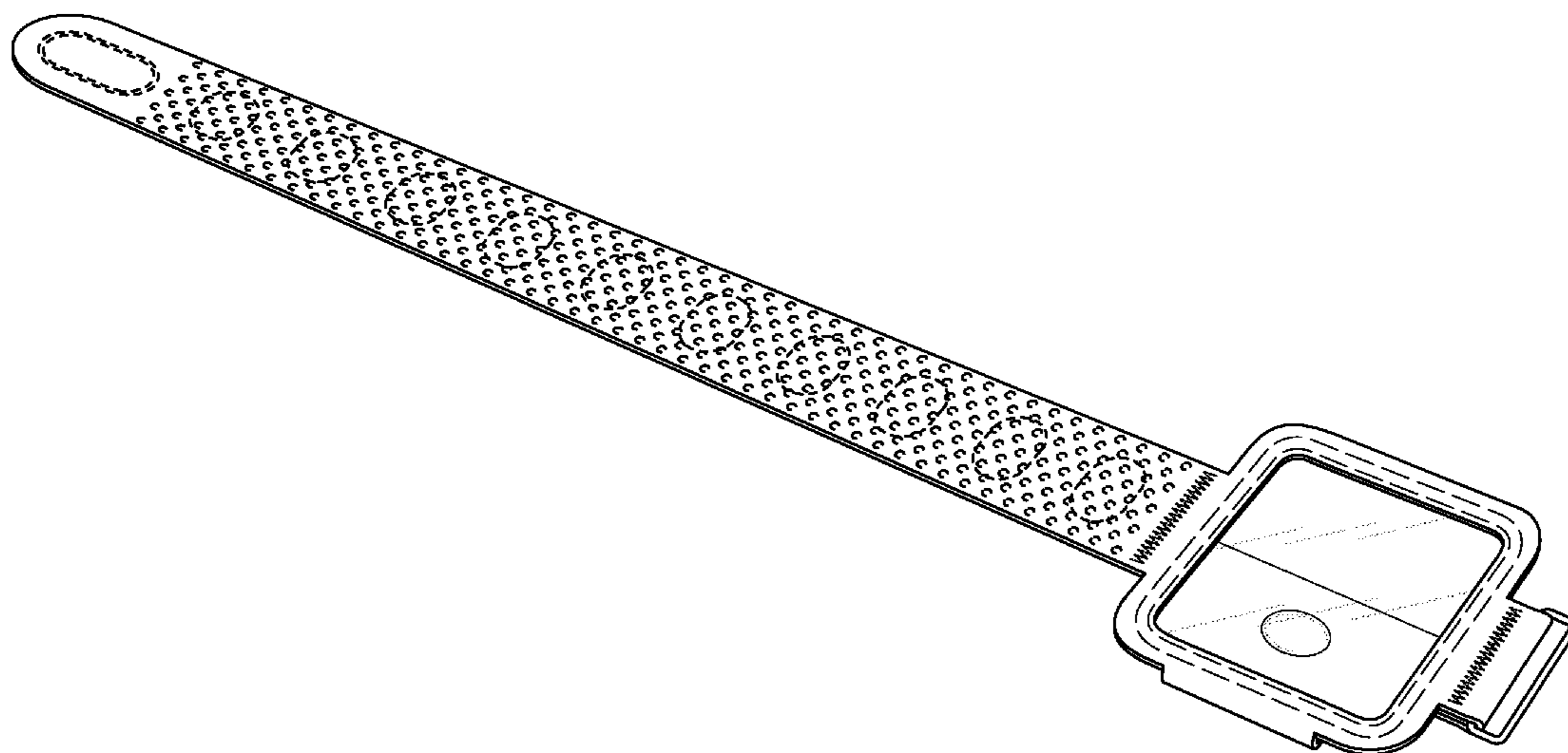
FIG. 8 is another front view thereof in an environment in which it may be used, showing an electronic device (in phantom) being inserted into the electronic device holder;

FIG. 9 is another front view thereof with the electronic device inserted therein; and,

FIG. 10 is a perspective view of the electronic device holder in an environment in which it may be used, showing the holder disposed on the arm (in phantom) of a user.

The broken lines in the Figures are for illustrative purposes only and form no part of the claimed design.

1 Claim, 8 Drawing Sheets



US D607,198 S

Page 2

U.S. PATENT DOCUMENTS

4,913,326 A	4/1990	Echelson	D503,038 S	3/2005	Tabata	
5,511,702 A	4/1996	Yang	D504,224 S	4/2005	Sexson	
D370,120 S	5/1996	Teraoka	D506,058 S	6/2005	Sexson	
D375,197 S	11/1996	Laherty	D526,777 S	8/2006	Andre et al.	
D426,701 S	6/2000	Edwards et al.	D529,280 S *	10/2006	Krieger et al.	D3/218
D431,250 S	9/2000	Richter	D537,623 S *	3/2007	Dennis et al.	D3/218
6,321,957 B1	11/2001	Rossi	D541,042 S	4/2007	Andre et al.	
D455,255 S	4/2002	Zeigler	D548,457 S *	8/2007	Reinerio	D3/218
D474,594 S	5/2003	Casparian	2003/0019894 A1	1/2003	Caldana	
D476,149 S	6/2003	Andre et al.	2006/0076375 A1	4/2006	Bhakta	

* cited by examiner

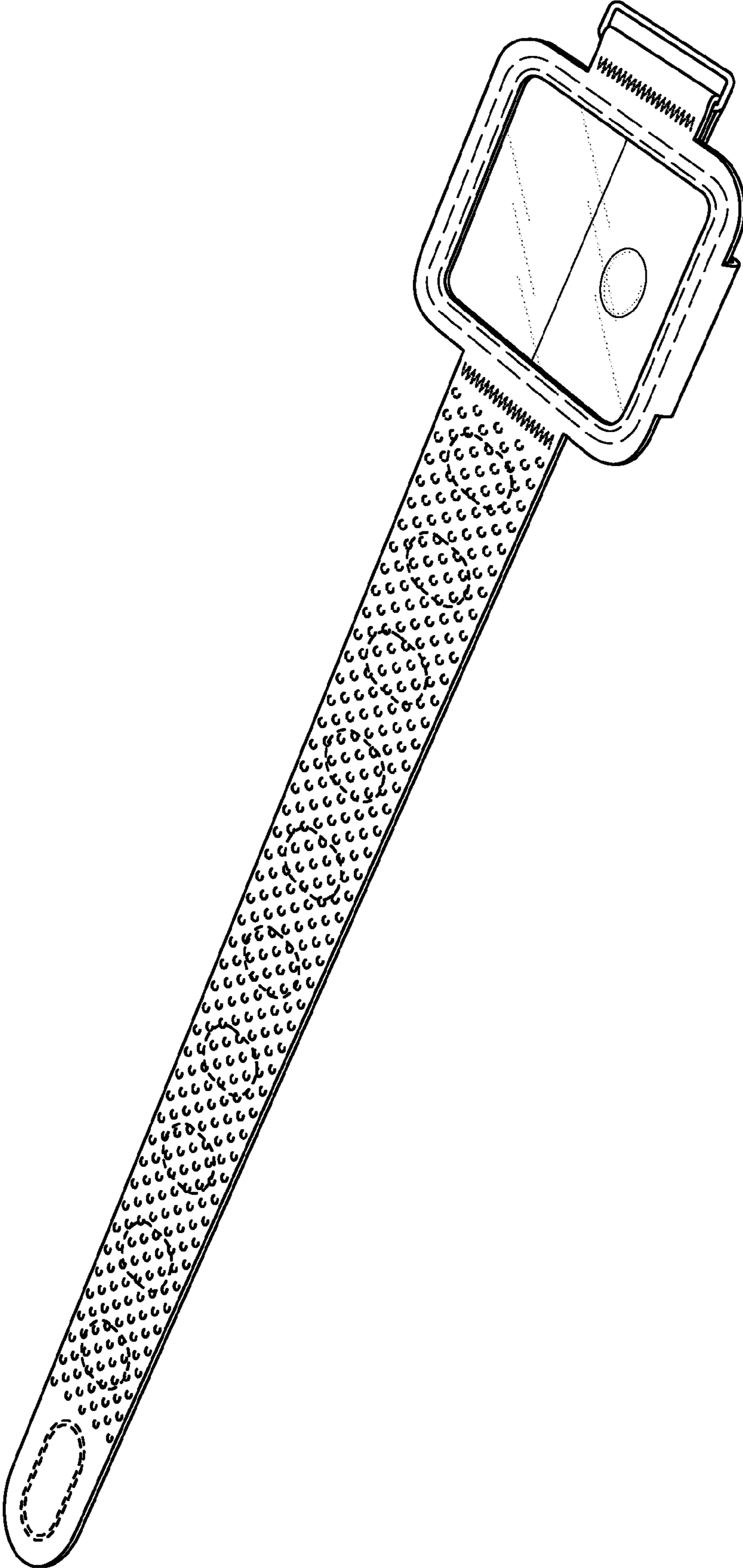


FIG. 1

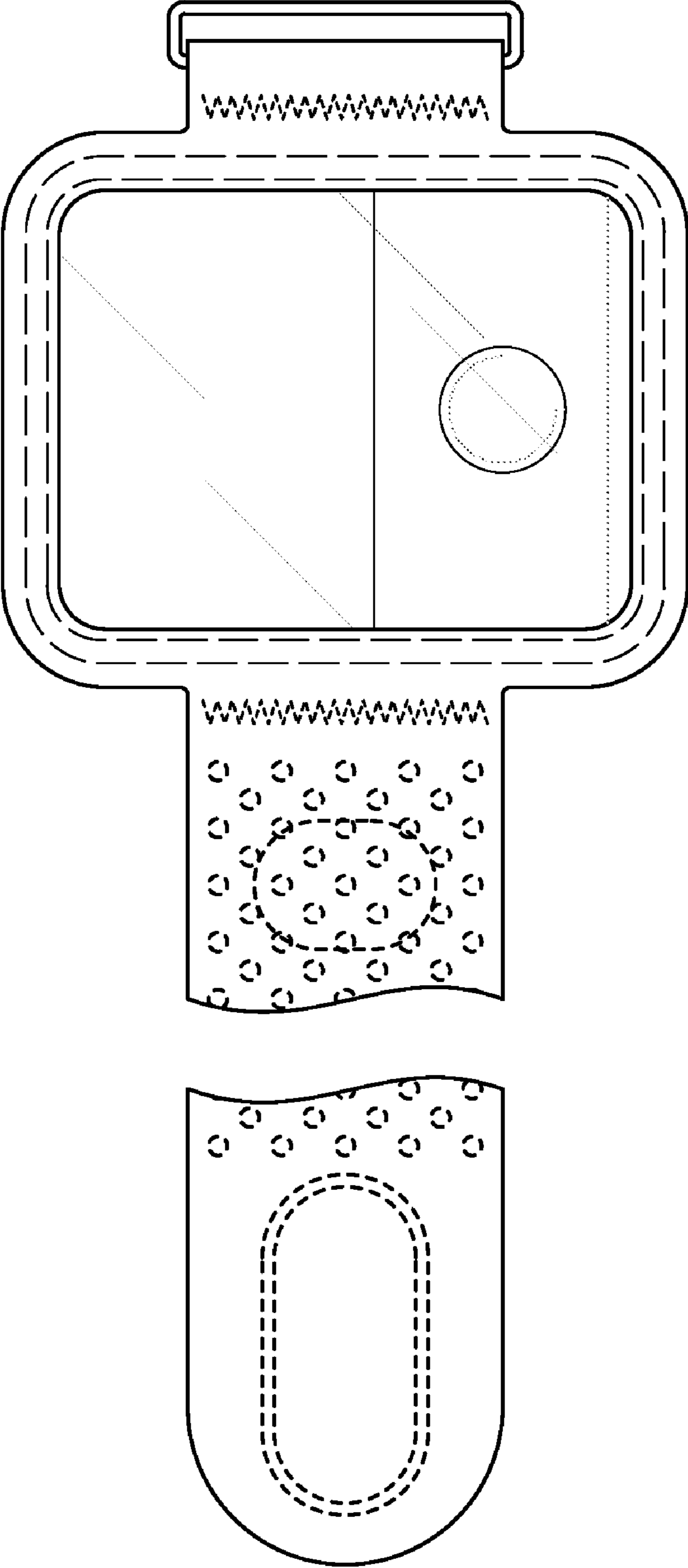


FIG. 2

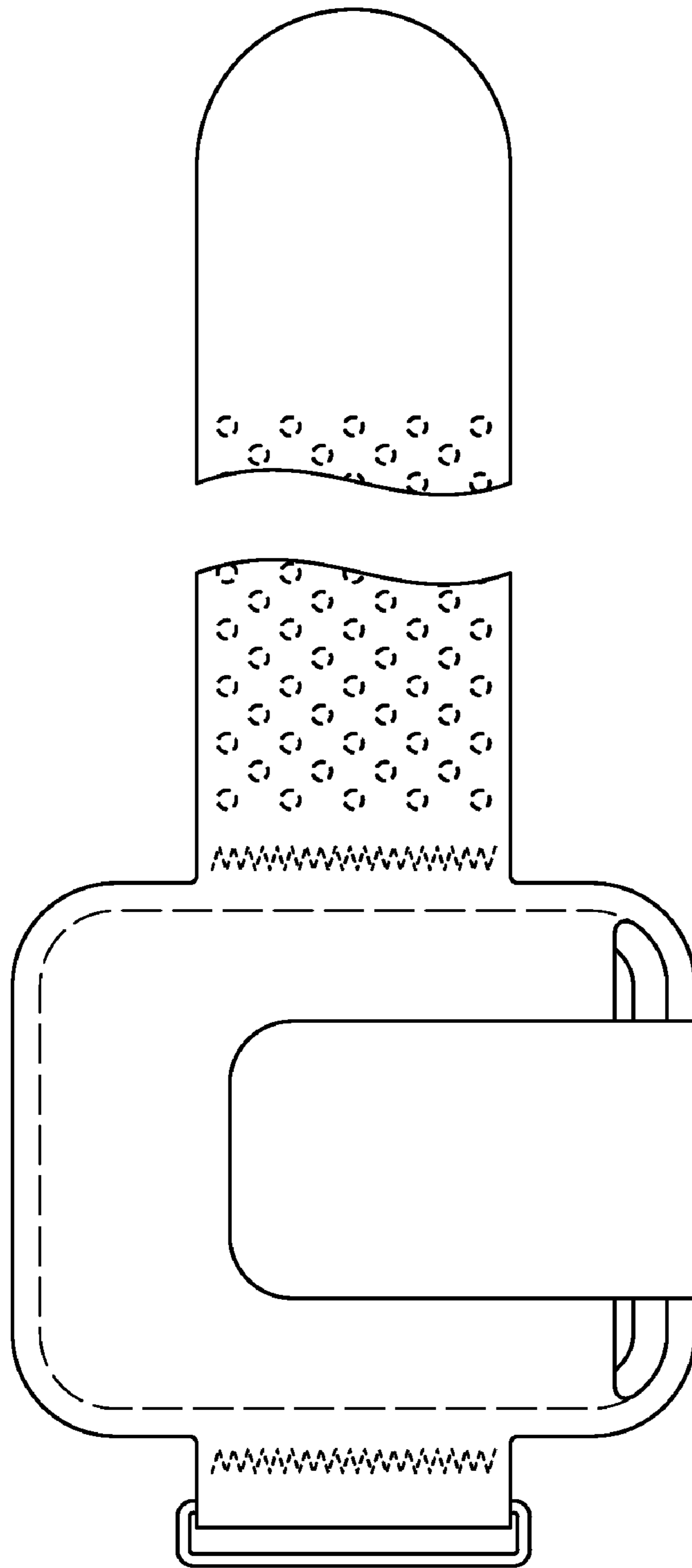


FIG. 3



FIG. 4

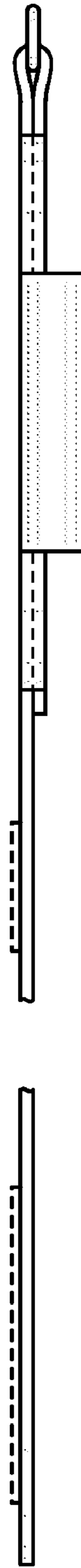


FIG. 5

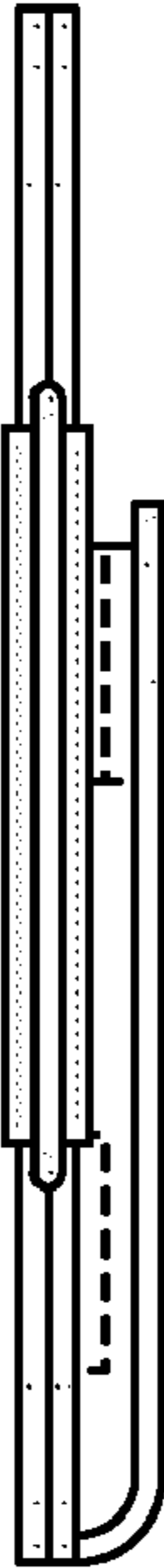


FIG. 6

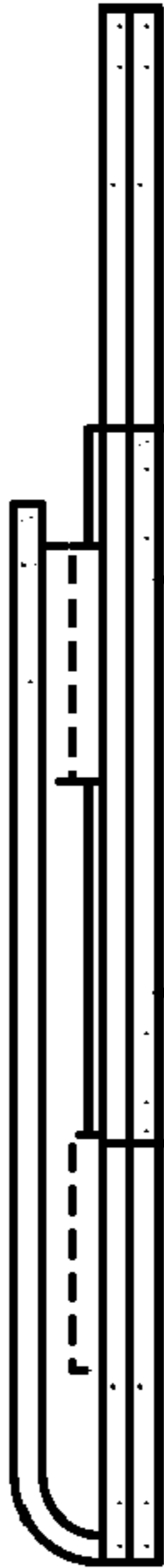


FIG. 7

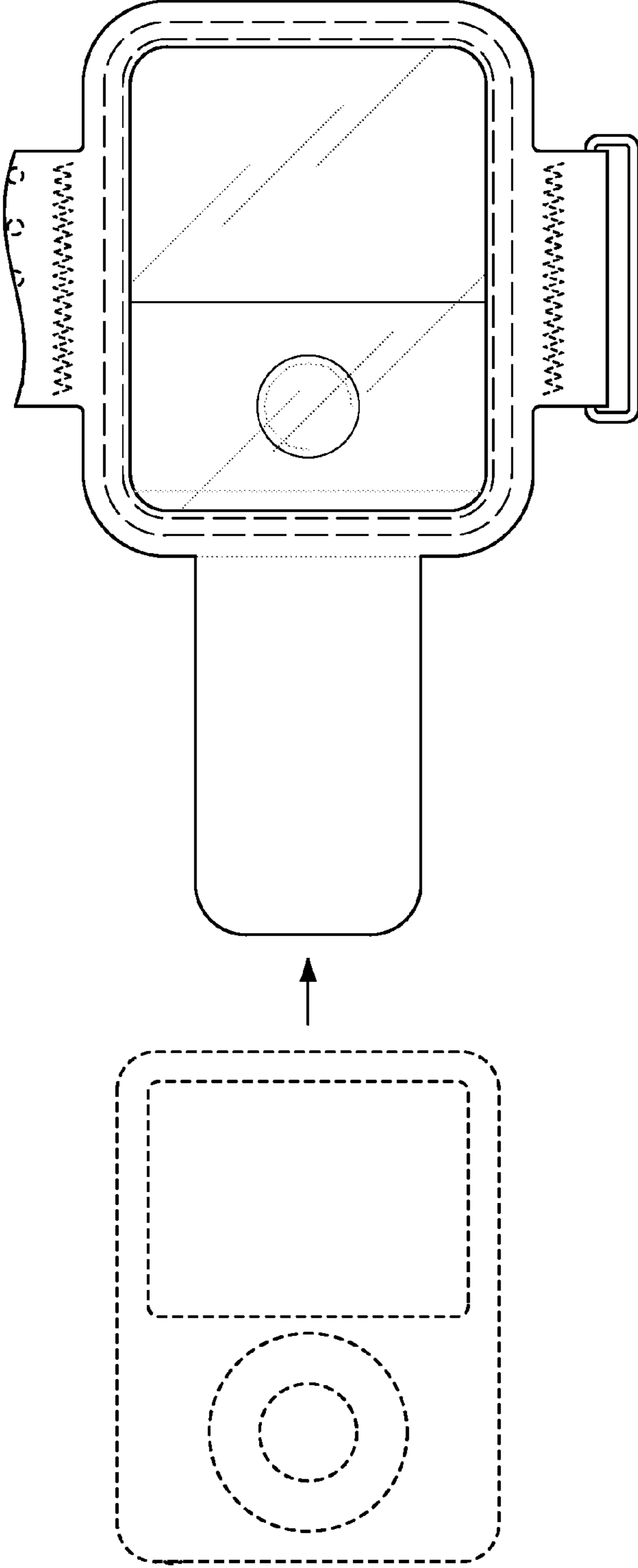


FIG. 8

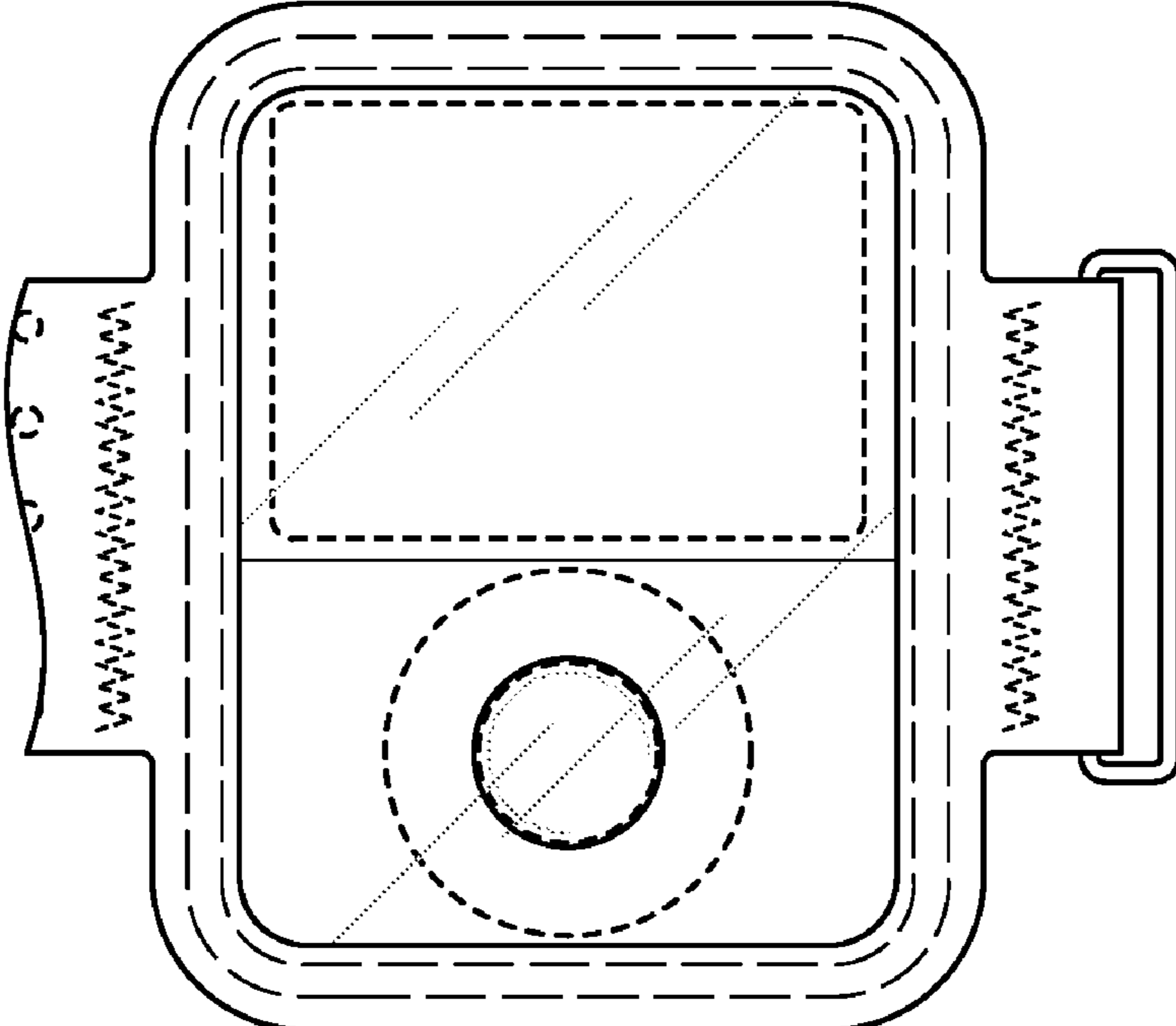


FIG. 9

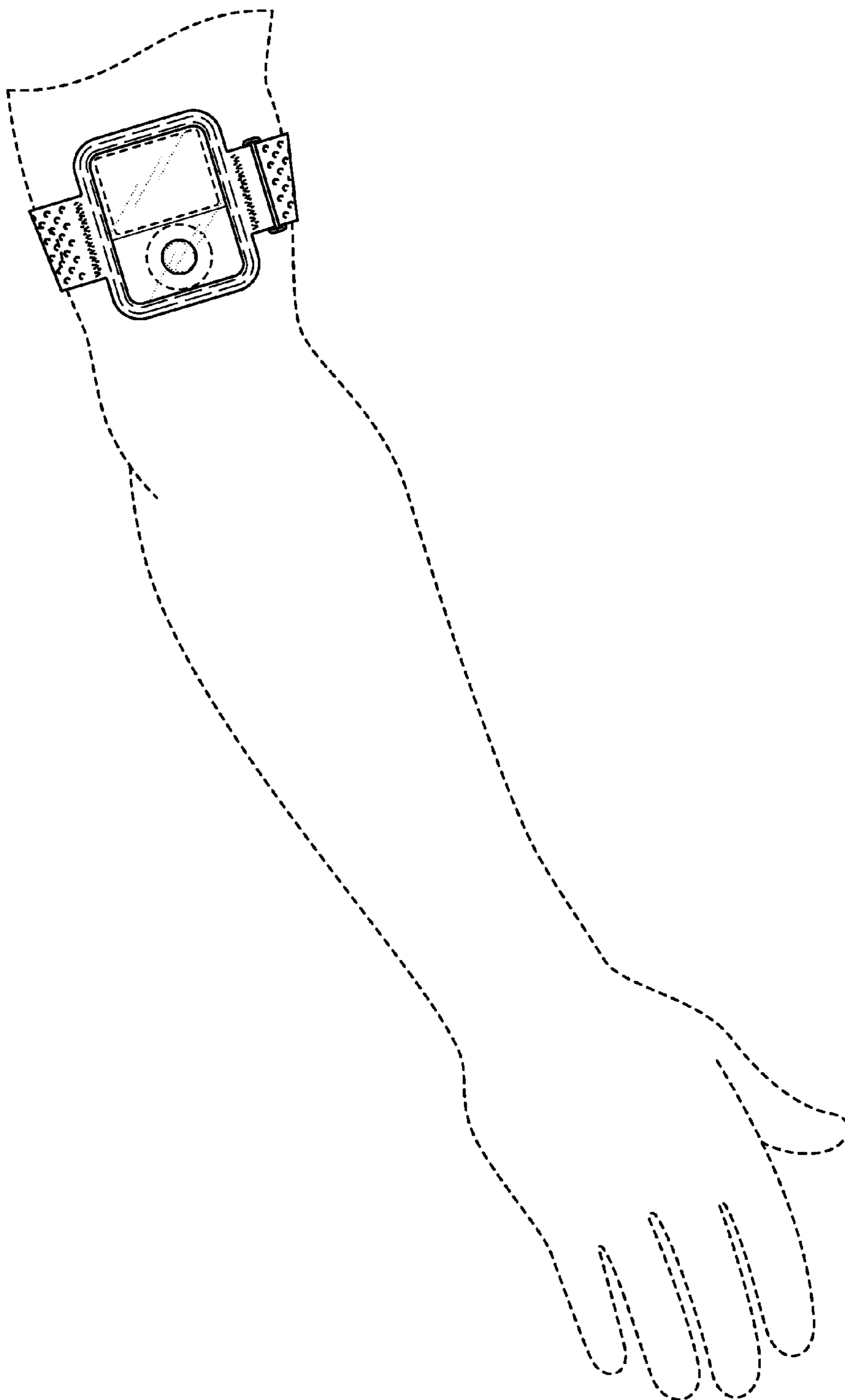


FIG. 10