



US00D607175S

(12) **United States Design Patent**
Stevens

(10) **Patent No.:** **US D607,175 S**
(45) **Date of Patent:** **** Dec. 29, 2009**

(54) **CASH BOX DRAWER**

(75) Inventor: **Scott B. Stevens**, Cudahy, WI (US)

(73) Assignee: **Master Lock Company LLC**, Oak Creek, WI (US)

(**) Term: **14 Years**

(21) Appl. No.: **29/310,359**

(22) Filed: **Aug. 11, 2008**

(51) **LOC (9) Cl.** **64-04**

(52) **U.S. Cl.** **D99/43; D6/510**

(58) **Field of Classification Search** D99/28,
D99/34, 43; D6/397, 445, 446, 491, 510,
D6/511; D3/273, 274, 276, 281, 284, 291,
D3/297, 302, 318, 319; D9/420, 423; 109/52,
109/53; 292/134, 236; 235/22; 312/319.1,
312/311

See application file for complete search history.

(56) **References Cited**

U.S. PATENT DOCUMENTS

2,106,991 A	2/1938	Garfinkel	
2,146,657 A	2/1939	Stanley	
D112,881 S	10/1940	Adams	
D129,484 S *	9/1941	Jiranek	D6/446
D145,008 S	6/1946	Crane	
2,544,118 A	3/1951	Vent	
D166,127 S	3/1952	Rothstein	
2,664,735 A	1/1954	Vahlstrom et al.	
D176,602 S	1/1956	Durham	
D182,212 S	2/1958	Weiner	
2,962,138 A	11/1960	Finkelstein	
2,987,150 A	6/1961	Szabo	
2,987,151 A	6/1961	Frambes	
3,044,287 A	7/1962	Pelcin	
3,301,295 A	1/1967	Fitch	
D257,800 S	1/1981	Pedersen	
4,306,431 A	12/1981	Craig	
D263,100 S *	2/1982	Thompson	D6/432
4,474,116 A	10/1984	Castenada, Jr. et al.	
D277,803 S *	2/1985	Franko et al.	D99/28

D280,678 S	9/1985	Loscalzo et al.
D280,852 S	10/1985	Bakic
4,573,332 A	3/1986	Ma
D283,546 S	4/1986	Nathan
4,611,711 A	9/1986	Warwicker
4,667,491 A	5/1987	Lokken et al.
D291,139 S	7/1987	Warwicker
D291,745 S	9/1987	Hansen
D294,196 S	2/1988	Bialo
4,766,292 A	8/1988	Cone

(Continued)

Primary Examiner—Philip S Hyder

Assistant Examiner—Susan E Krakower

(74) *Attorney, Agent, or Firm*—Calfee, Halter & Griswold LLP

(57) **CLAIM**

I claim the ornamental design for a cash box drawer, as shown and described.

DESCRIPTION

FIG. 1 is a front perspective view of a cash box drawer of the new design, showing the cash box drawer installed within an exemplary cash box;

FIG. 2 is a left side perspective view of the cash box drawer of FIG. 1;

FIG. 3 is a top view of the cash box drawer of FIG. 1;

FIG. 4 is a front elevation view of the cash box drawer of FIG. 1;

FIG. 5 is a right side view of the cash box drawer of FIG. 1;

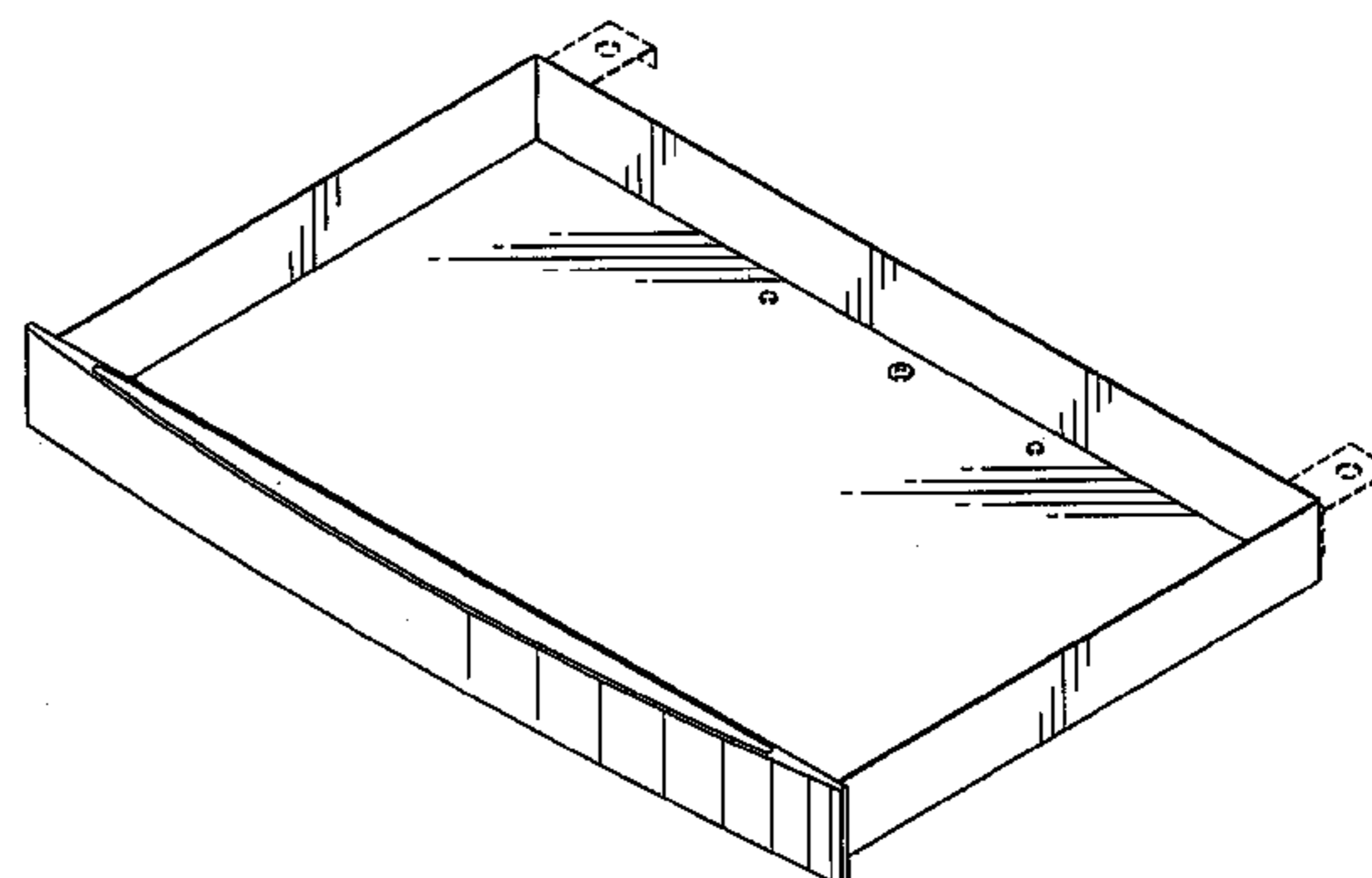
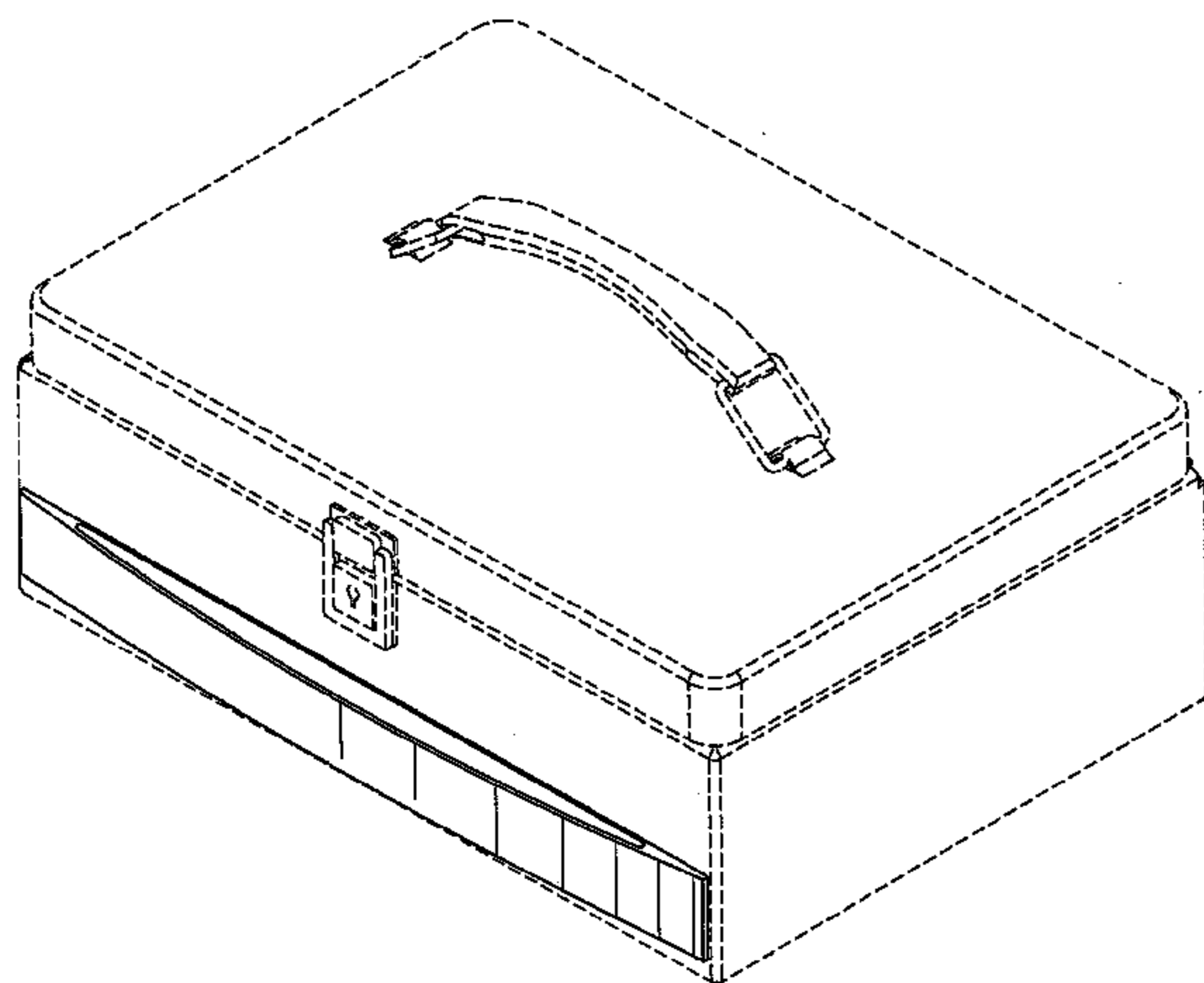
FIG. 6 is a bottom view of the cash box drawer of FIG. 1;

FIG. 7 is a left side view of the cash box drawer of FIG. 1; and,

FIG. 8 is a rear view of the cash box drawer of FIG. 1.

The portions of the Figures shown in broken lines disclose environmental structure and form no part of the claimed design.

1 Claim, 5 Drawing Sheets



US D607,175 S

Page 2

U.S. PATENT DOCUMENTS

D300,987 S	5/1989	Gerch		6,085,671 A	7/2000	Kerr et al.	
D307,354 S	4/1990	Knotter et al.		D431,934 S *	10/2000	Chininis	D6/446
5,009,088 A	4/1991	Cislo		D437,685 S	2/2001	Liu	
D330,913 S	11/1992	Hirumori		D440,401 S	4/2001	Pauser et al.	
5,168,987 A	12/1992	Warwicker		D447,633 S	9/2001	Demsien et al.	
D333,727 S	3/1993	Schurman		D448,931 S	10/2001	Gutierrez et al.	
D338,781 S	8/1993	Eitel		D449,165 S	10/2001	van der Hulst	
D340,132 S	10/1993	Coyle et al.		D454,429 S	3/2002	Hussaini et al.	
D341,935 S	12/1993	Peersmann		D454,689 S	3/2002	Gonda et al.	
5,429,240 A	7/1995	Biebel et al.		D458,127 S	6/2002	de Groote	
D366,280 S	1/1996	Henderson		D460,224 S *	7/2002	Richardson	D32/2
D367,211 S	2/1996	Cautereels		D481,847 S *	11/2003	Van Landingham, Jr.	D34/27
D367,558 S	3/1996	Lai		D493,310 S *	7/2004	Ashby et al.	D6/511
D370,572 S *	6/1996	Lin	D6/446	D502,812 S *	3/2005	Zimmerman	D3/297
D371,906 S	7/1996	Peters		D504,259 S *	4/2005	Arceta	D6/510
D373,901 S	9/1996	Bergstedt		6,925,843 B1 *	8/2005	Pols Sandhu et al.	70/86
D376,691 S	12/1996	Naas et al.		D511,061 S *	11/2005	Ben-Or	D6/510
D386,307 S	11/1997	Naas et al.		D513,141 S *	12/2005	Mehmen et al.	D6/510
D393,526 S	4/1998	Robey et al.		D517,805 S *	3/2006	Hosking	D3/295
D398,186 S *	9/1998	Zaidman	D6/445	D541,045 S	4/2007	Pearl et al.	
D399,632 S	10/1998	Davis et al.		D542,529 S	5/2007	Pearl et al.	
D403,570 S *	1/1999	Relyea et al.	D8/300	D543,033 S *	5/2007	Carbone	D3/319
5,857,682 A	1/1999	Hyman		D549,486 S *	8/2007	Sheppard	D6/446
D404,945 S *	2/1999	Simpkins et al.	D6/510	D549,487 S *	8/2007	Sheppard	D6/446
5,865,314 A	2/1999	Jacobson		D558,977 S	1/2008	Pearl et al.	
D407,239 S *	3/1999	Zaidman	D6/446	D561,994 S	2/2008	Pearl et al.	
D412,786 S	8/1999	Killinger		D577,191 S	9/2008	Moldovan	
6,006,558 A	12/1999	Peters		D579,245 S *	10/2008	Daino et al.	D6/510
				D587,048 S *	2/2009	Hand	D6/510

* cited by examiner

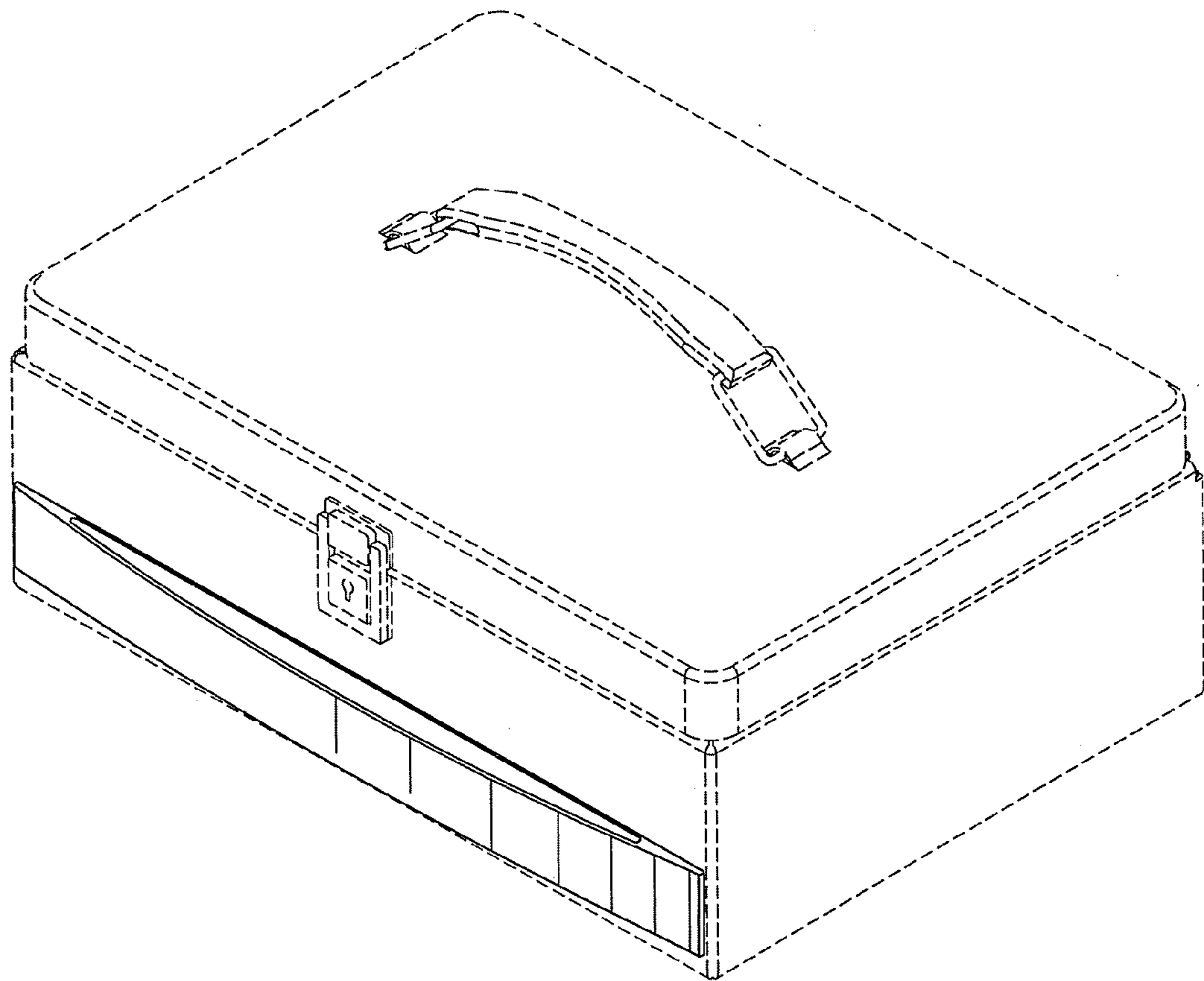


FIG. 1

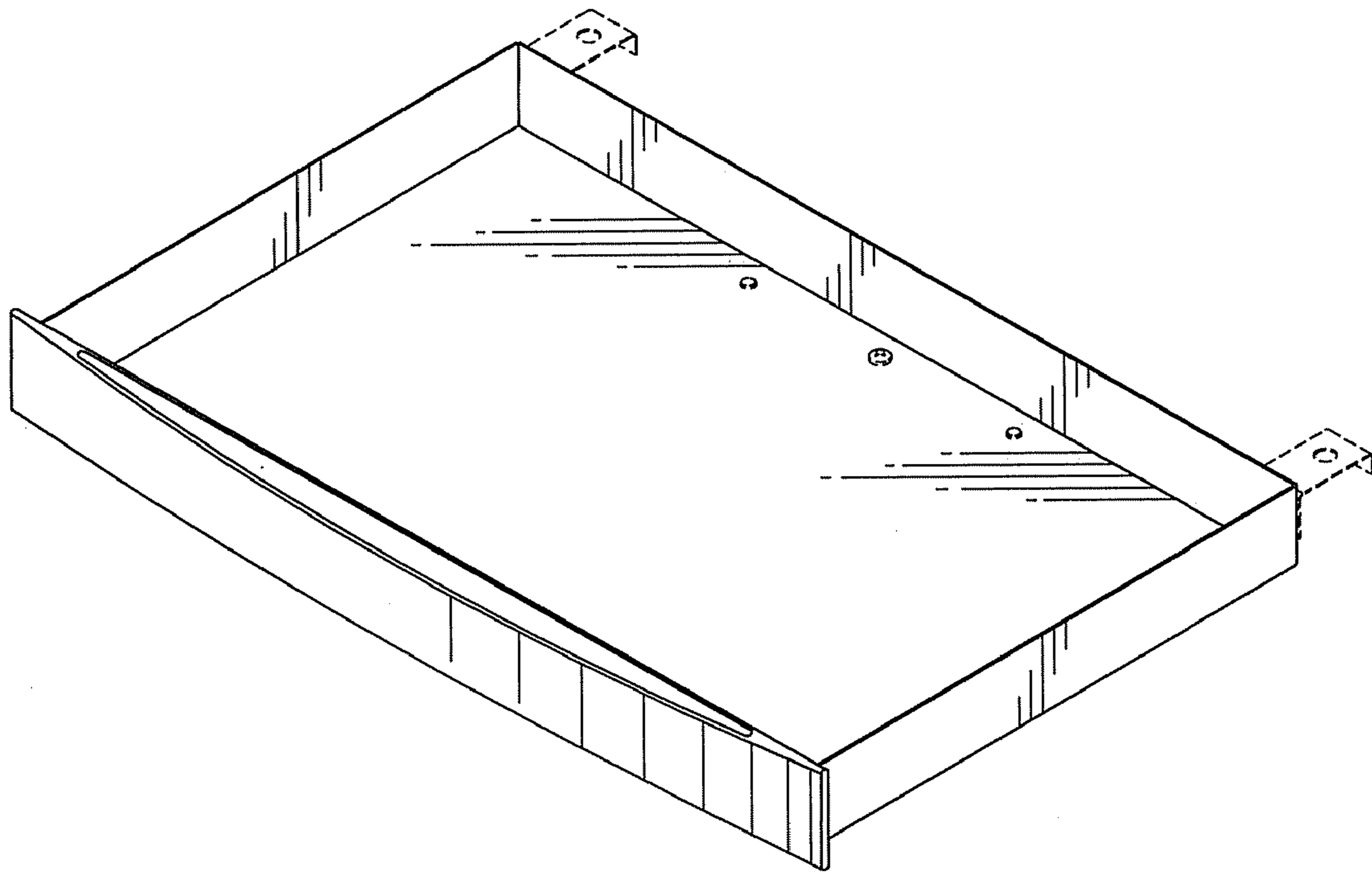


FIG. 2

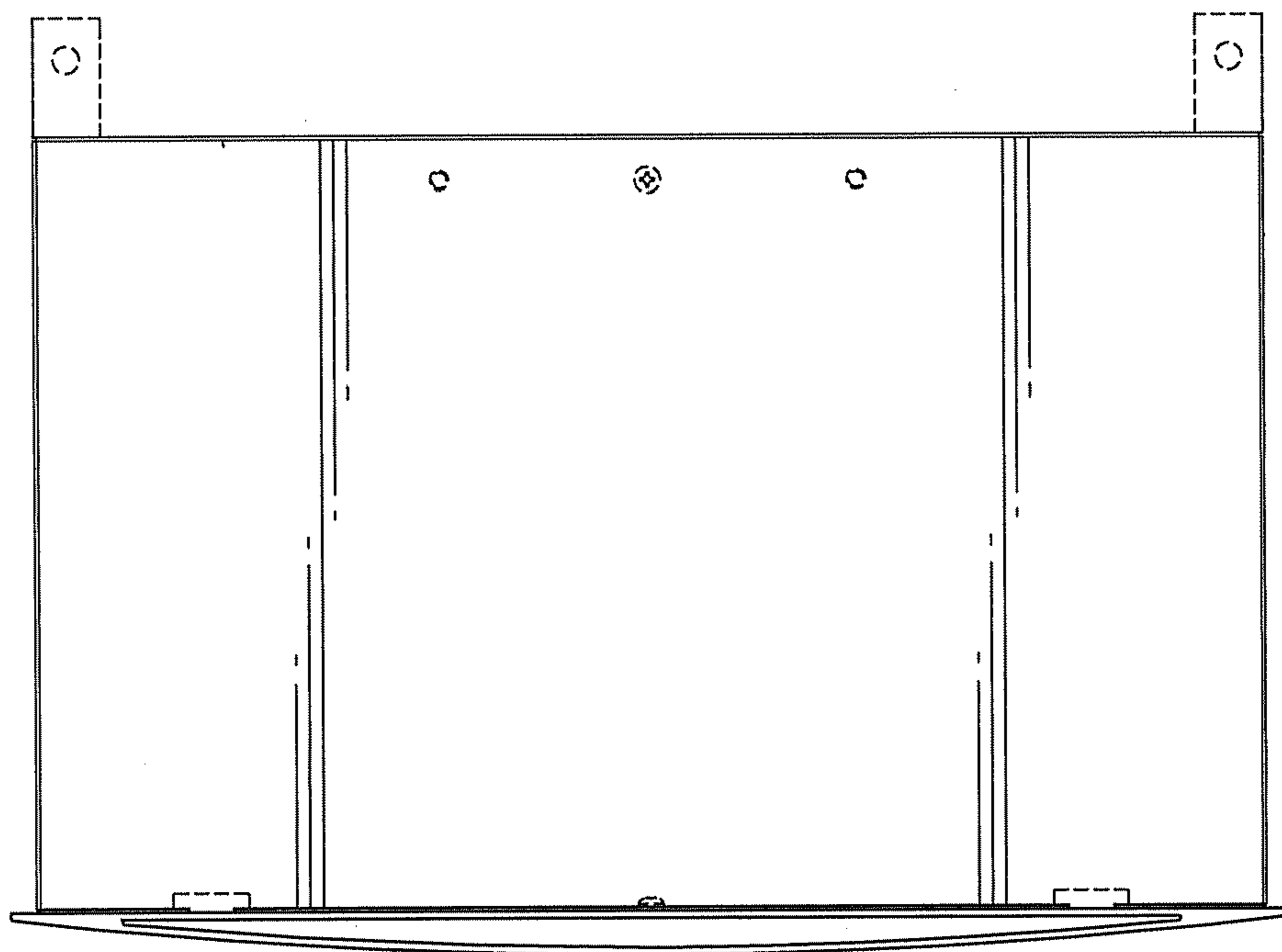


FIG. 3

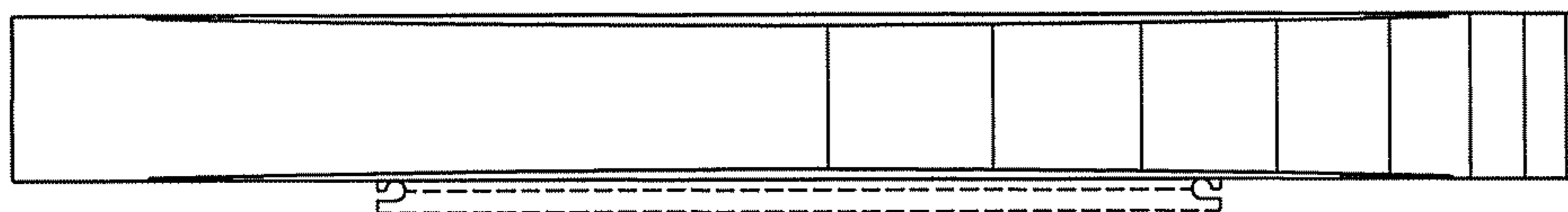


FIG. 4

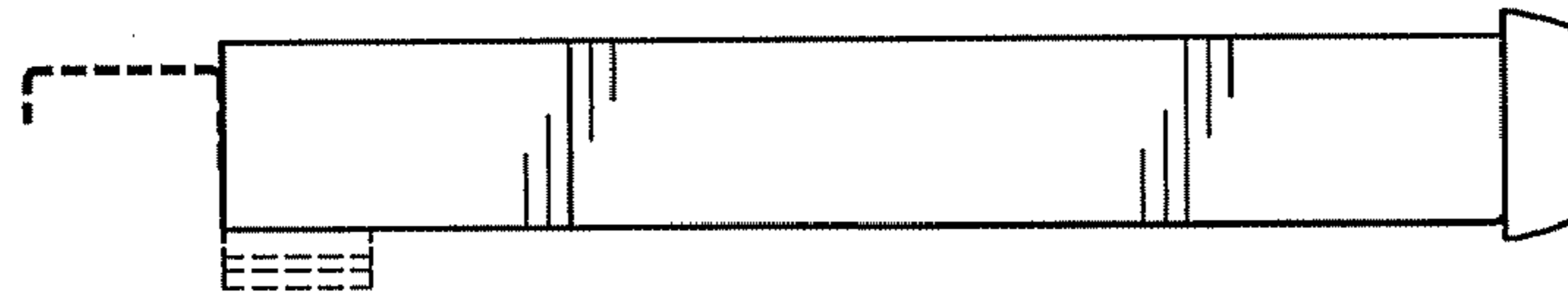


FIG. 5

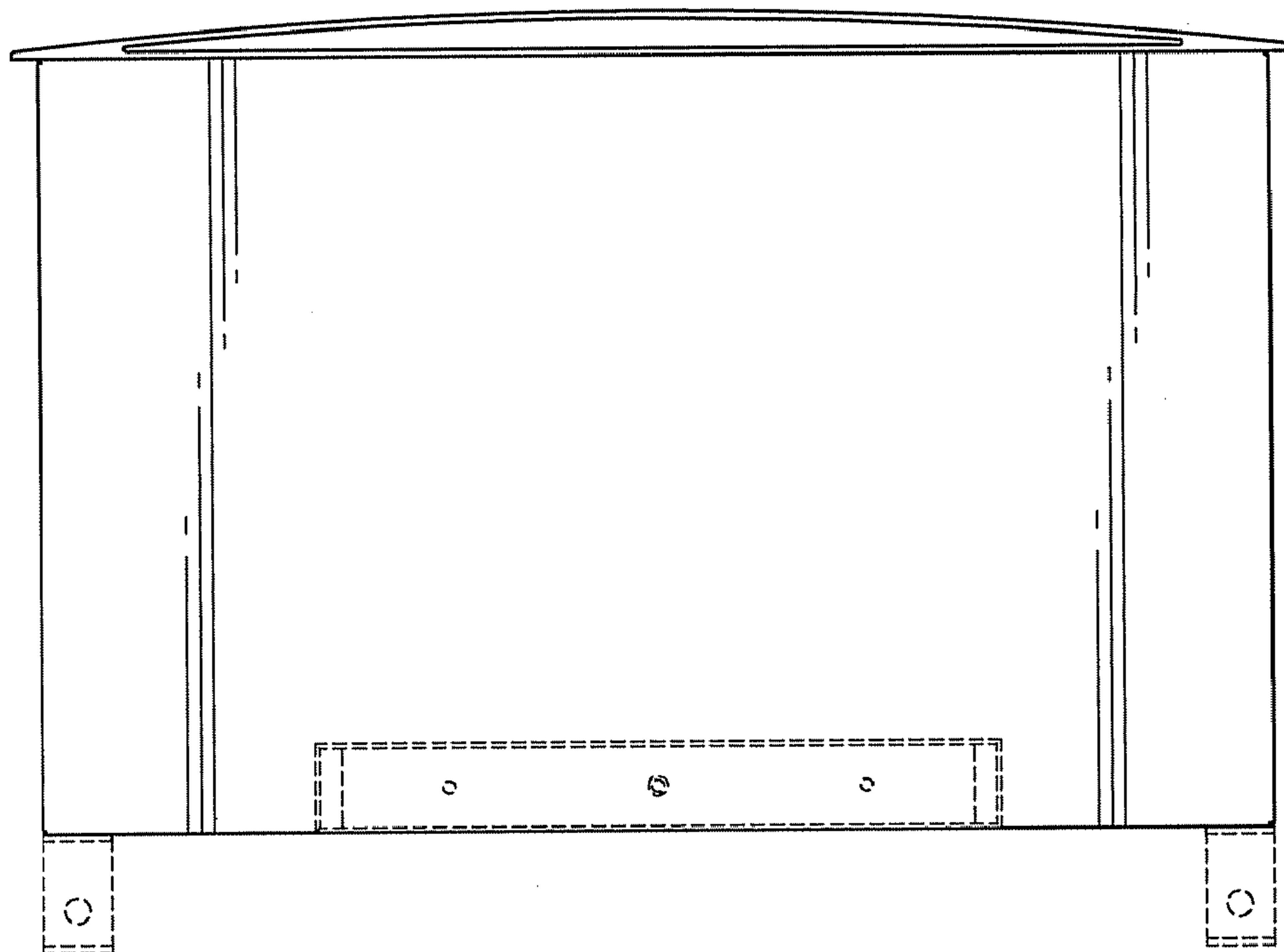


FIG. 6

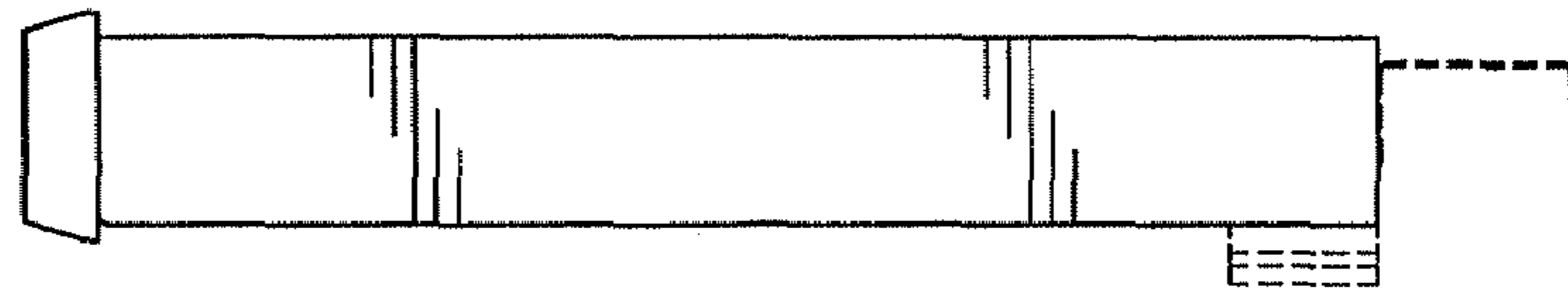


FIG. 7

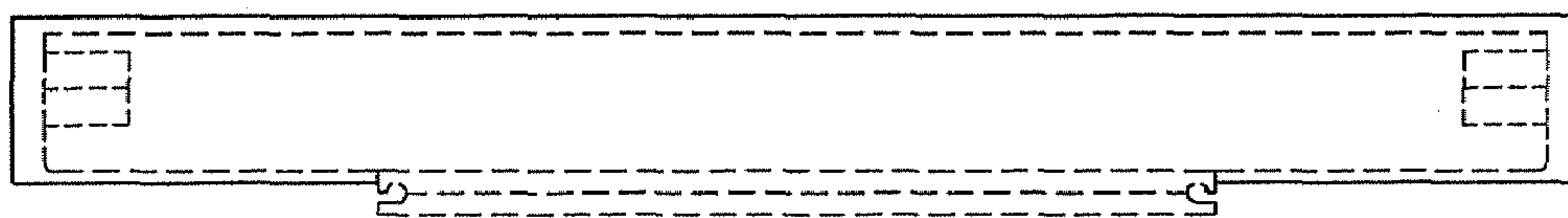


FIG. 8