



US00D607173S

(12) **United States Design Patent**  
**Selvig et al.**

(10) **Patent No.:** **US D607,173 S**  
(45) **Date of Patent:** **\*\* Dec. 29, 2009**

(54) **CART**

(75) Inventors: **Erich Selvig**, Eden Prairie, MN (US);  
**Chris Johnson**, Minneapolis, MN (US)

(73) Assignee: **Target Brands, Inc.**, Minneapolis, MN (US)

(\*\*) Term: **14 Years**

(21) Appl. No.: **29/319,940**

(22) Filed: **Jun. 17, 2008**  
(Under 37 CFR 1.47)

(51) **LOC (9) Cl.** ..... **12-02**

(52) **U.S. Cl.** ..... **D34/21**

(58) **Field of Classification Search** ..... D34/12-27;  
280/33.996, 33.991, 33.992, 33.995, 33.997,  
280/47.35

See application file for complete search history.

(56) **References Cited**

**U.S. PATENT DOCUMENTS**

3,039,564 A \* 6/1962 Shaukis ..... 186/63

5,507,507 A \* 4/1996 Davidson ..... 280/33.991  
6,644,674 B2 \* 11/2003 Simard ..... 280/33.991  
D577,172 S \* 9/2008 Coderre ..... D34/12  
D583,523 S \* 12/2008 Deal et al. .... D34/21  
2003/0151219 A1 \* 8/2003 Simard ..... 280/47.35

\* cited by examiner

*Primary Examiner*—Cynthia E Ramirez

(74) *Attorney, Agent, or Firm*—Fish & Richardson P.C.

(57) **CLAIM**

The ornamental design for a cart, as shown and described.

**DESCRIPTION**

FIG. 1 is a front perspective view of the cart of the present invention.

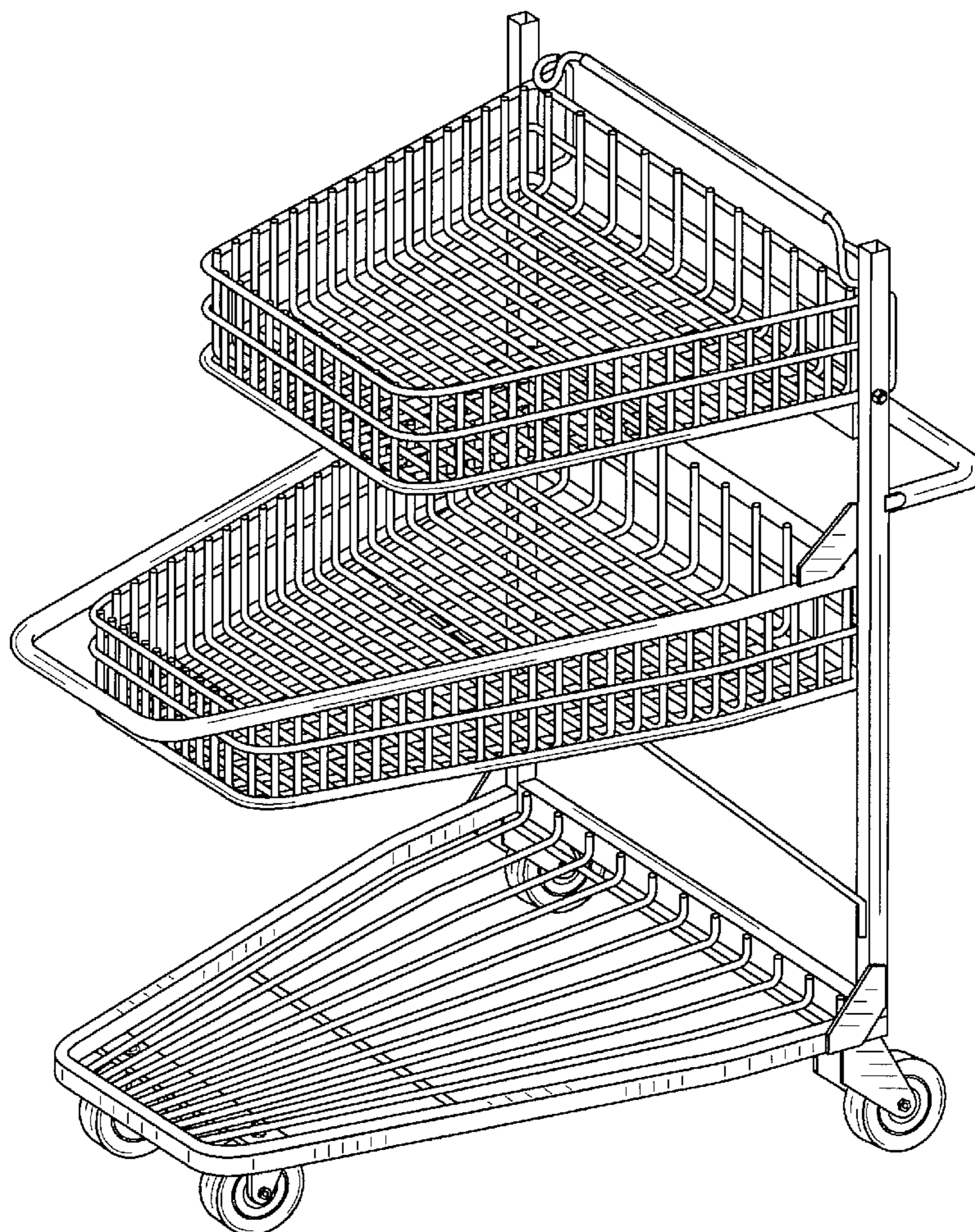
FIG. 2 is a front view of the cart of FIG. 1.

FIG. 3 is a rear view of the cart of FIG. 1.

FIG. 4 is a side view of the cart of FIG. 1; and,

FIG. 5 is a top view of the cart of FIG. 1.

**1 Claim, 5 Drawing Sheets**



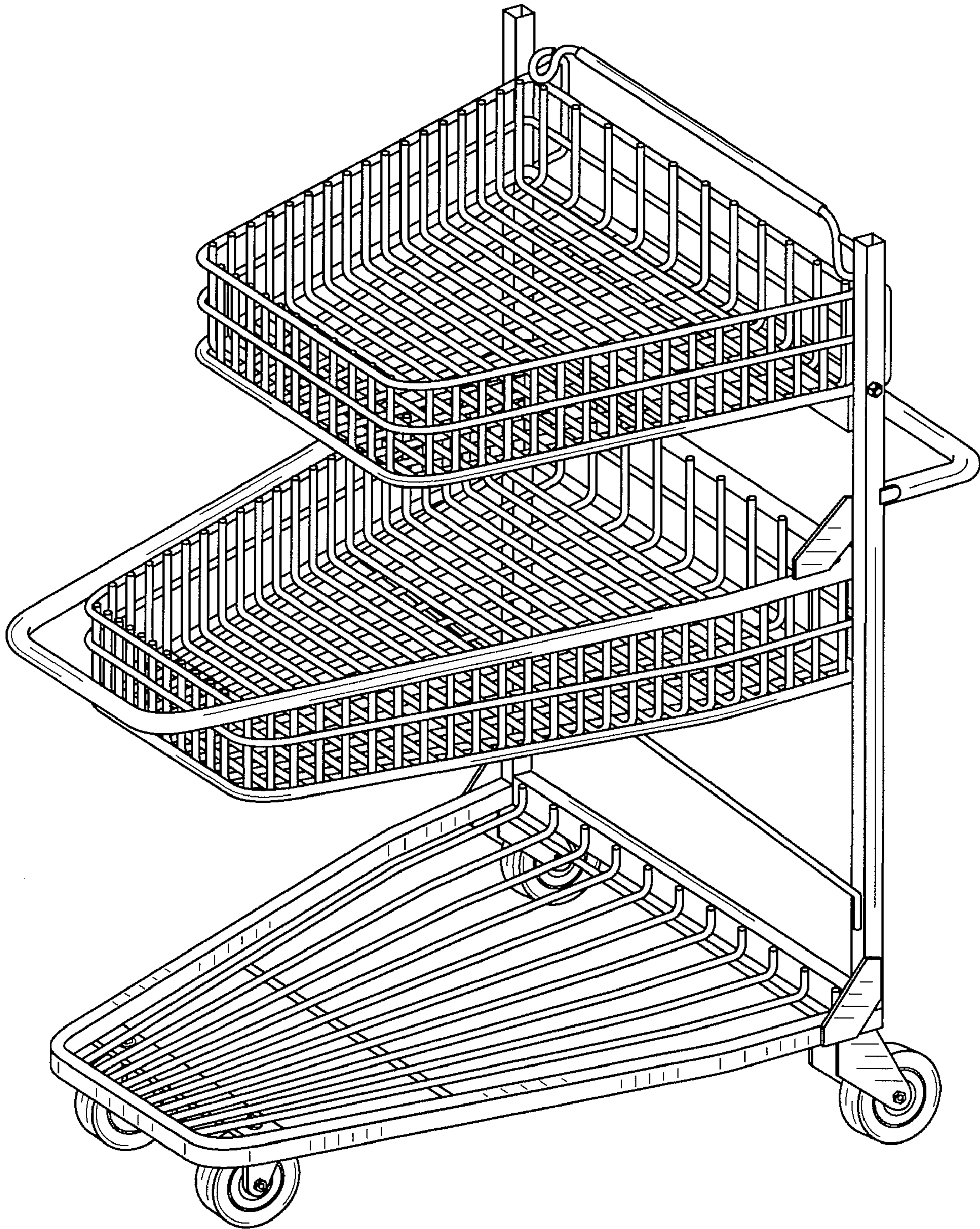


FIG. 1

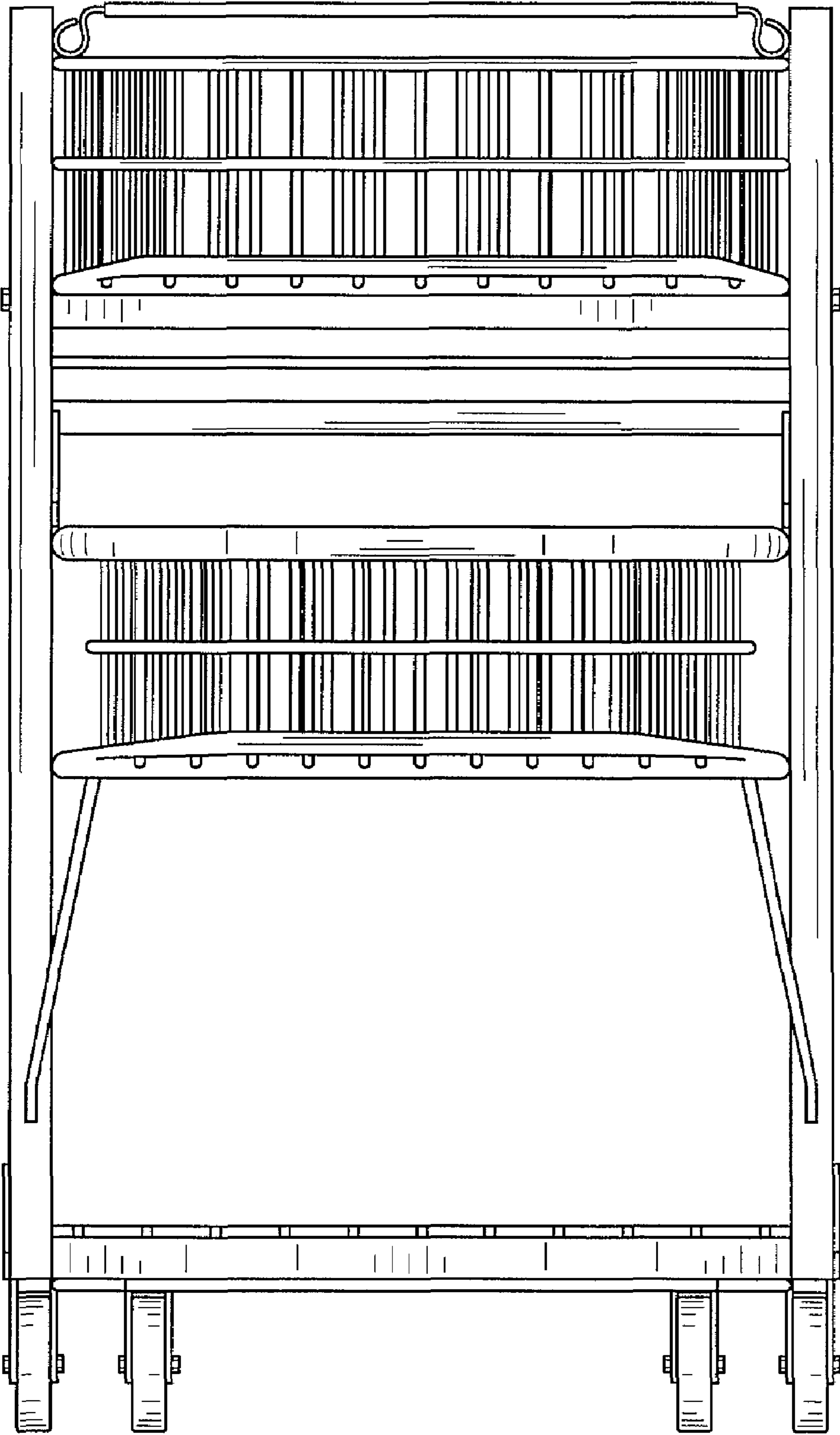


FIG. 2

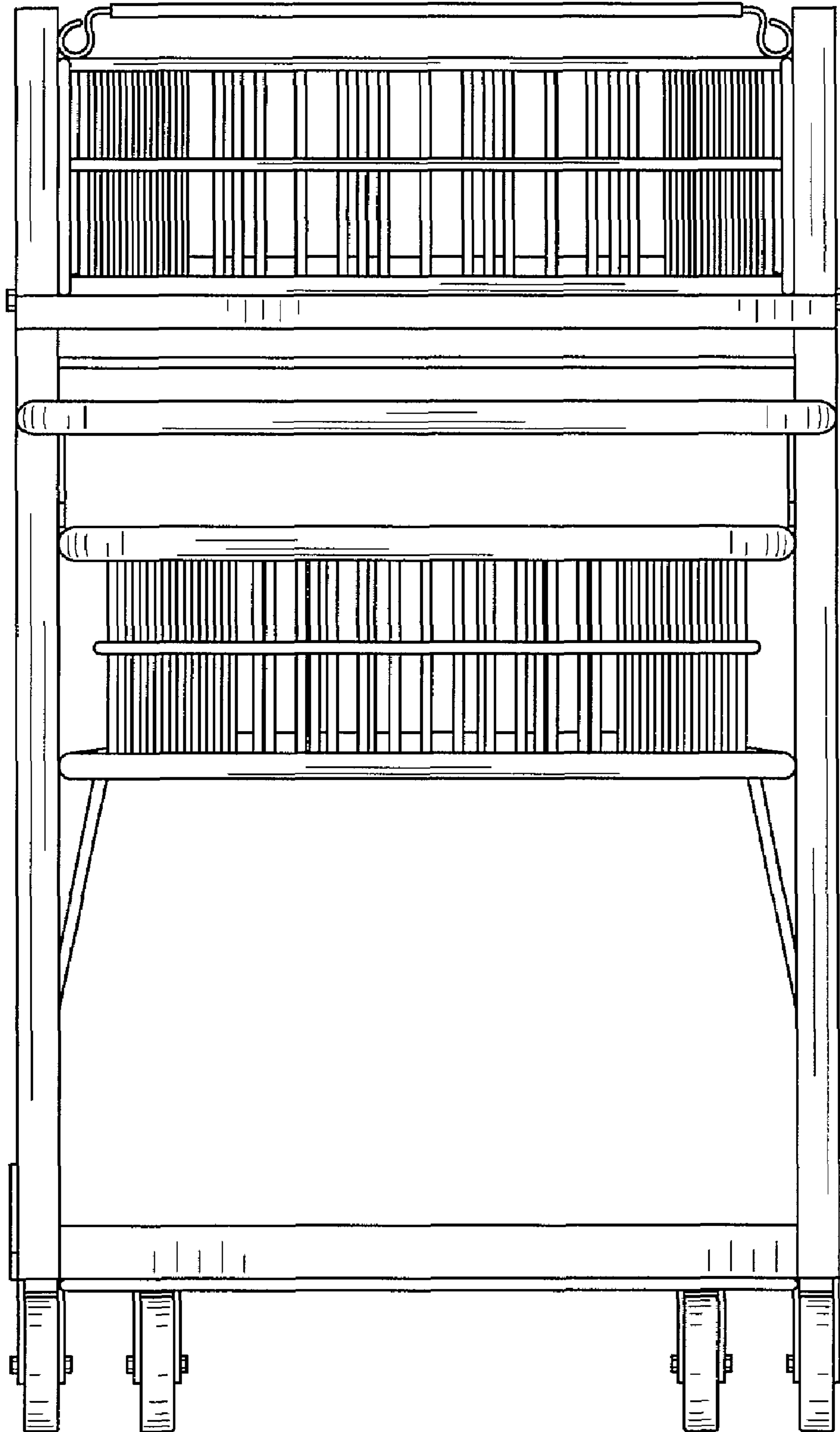


FIG. 3

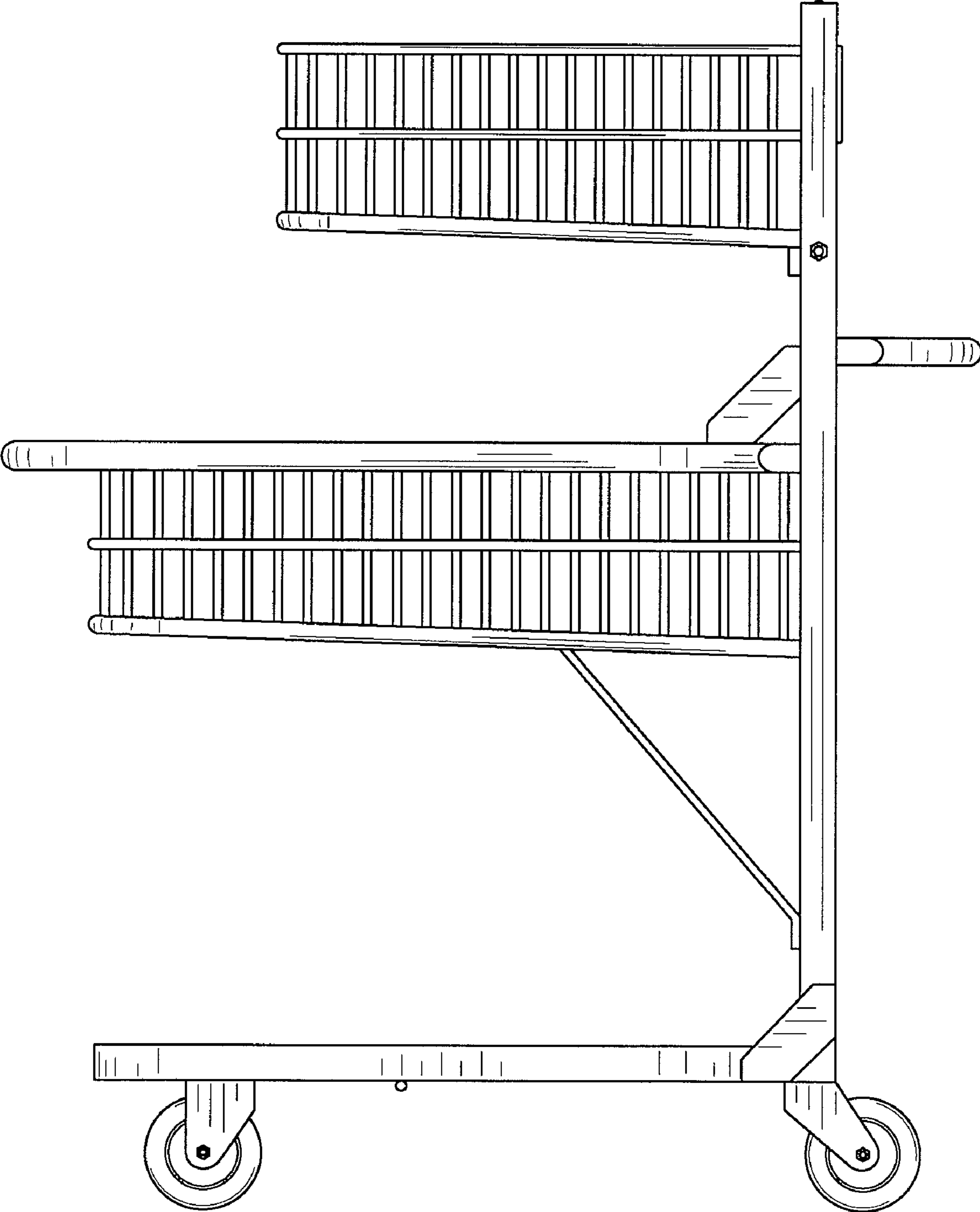


FIG. 4

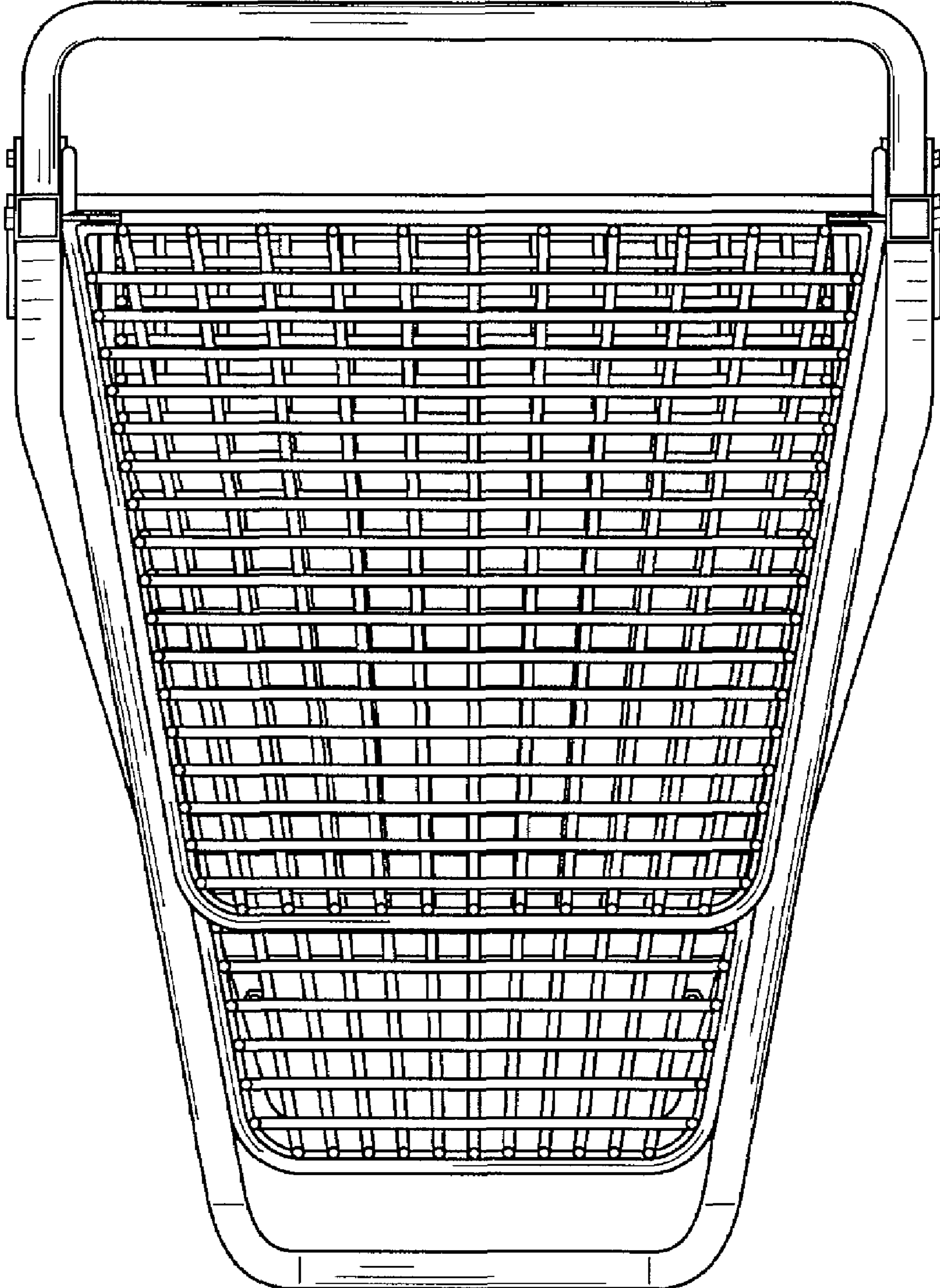


FIG. 5