



US00D607172S

(12) **United States Design Patent**  
**Catron**

(10) **Patent No.:** **US D607,172 S**

(45) **Date of Patent:** **\*\* Dec. 29, 2009**

(54) **CLEANING CART**

D575,473 S \* 8/2008 Presnell ..... D34/27  
D594,170 S \* 6/2009 Catron ..... D34/14

(75) Inventor: **Mark Allen Catron**, Winchester, VA  
(US)

\* cited by examiner

(73) Assignee: **Rubbermaid Commercial Products, LLC**, Winchester, VA (US)

*Primary Examiner*—Cynthia E Ramirez

(74) *Attorney, Agent, or Firm*—Dennis J. Williamson; Moore & Van Allen, PLLC

(\*\*) Term: **14 Years**

(57) **CLAIM**

(21) Appl. No.: **29/336,532**

I claim the ornamental design for a cleaning cart, as shown and described.

(22) Filed: **May 5, 2009**

**DESCRIPTION**

**Related U.S. Application Data**

(62) Division of application No. 29/323,239, filed on Aug. 21, 2008, now Pat. No. Des. 594,170.

FIG. 1 is a perspective view showing a cleaning cart of our design;

(51) **LOC (9) Cl.** ..... **12-02**

(52) **U.S. Cl.** ..... **D34/14; D34/21; D34/17**

FIG. 2 is a left side view showing our new design shown in FIG. 1;

(58) **Field of Classification Search** ..... D34/12-27;  
280/47.34, 47.35, 79.2, 47.26, 79.5; D6/477,  
D6/479

FIG. 3 is a right side view showing our new design shown in FIG. 1;

See application file for complete search history.

FIG. 4 is a front view showing our new design shown in FIG. 1;

(56) **References Cited**

**U.S. PATENT DOCUMENTS**

D115,352	S	*	6/1939	Scudder	.....	D34/18
4,923,202	A	*	5/1990	Breveglieri et al.	.....	280/47.35
5,326,117	A	*	7/1994	Cook	.....	280/79.2
6,497,423	B1	*	12/2002	Perelli et al.	.....	280/47.34
D485,037	S	*	1/2004	Presnell et al.	.....	D34/21
D555,869	S	*	11/2007	Zorzo	.....	D34/14
D555,870	S	*	11/2007	Zorzo	.....	D34/14
D572,424	S	*	7/2008	Presnell et al.	.....	D34/14

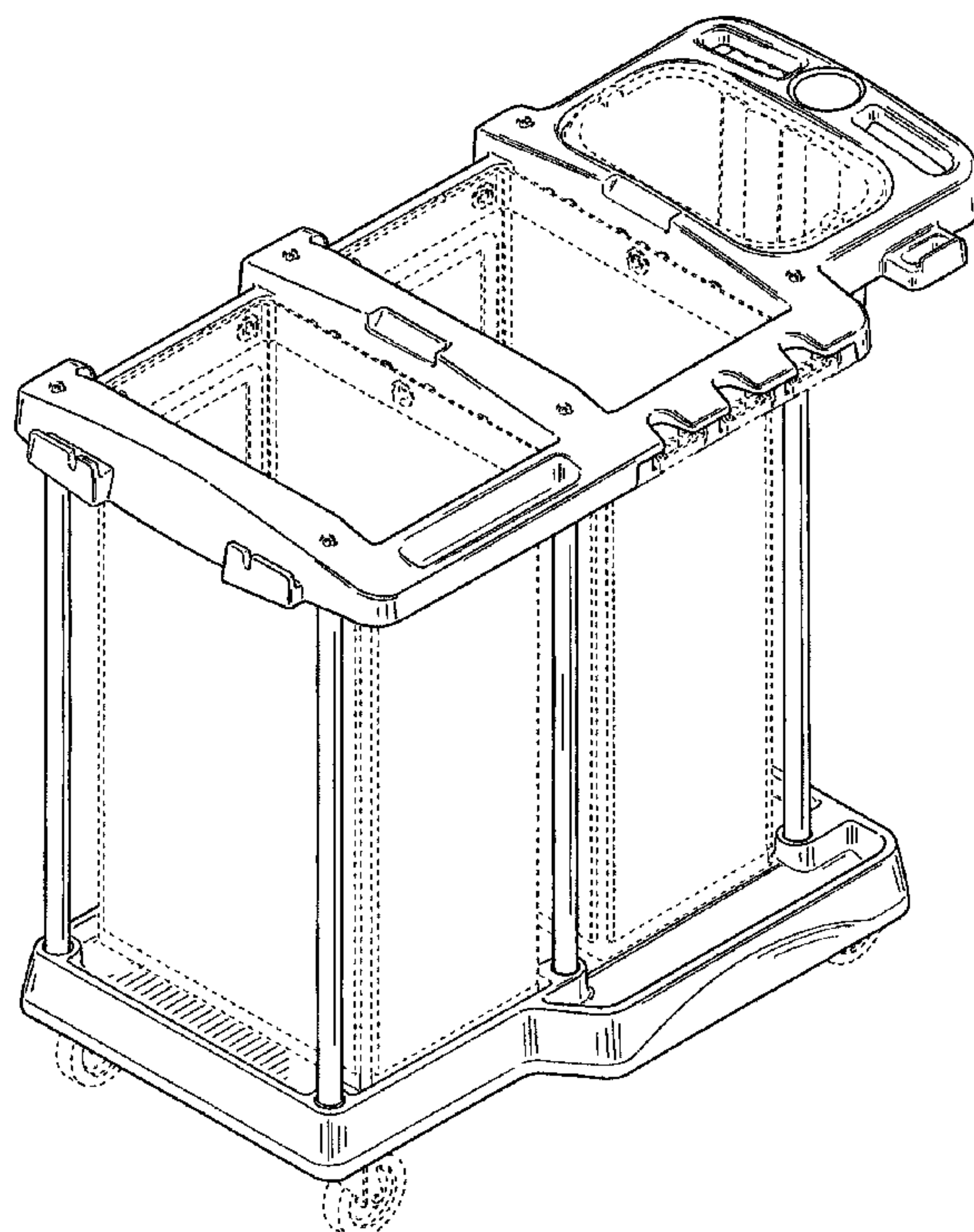
FIG. 5 is a back view showing our new design shown in FIG. 1;

FIG. 6 is a top view showing our new design shown in FIG. 1; and,

FIG. 7 is a bottom view showing our new design shown in FIG. 1.

The portions shown in broken lines are not part of the claimed design but show the environment in which the design is associated.

**1 Claim, 7 Drawing Sheets**



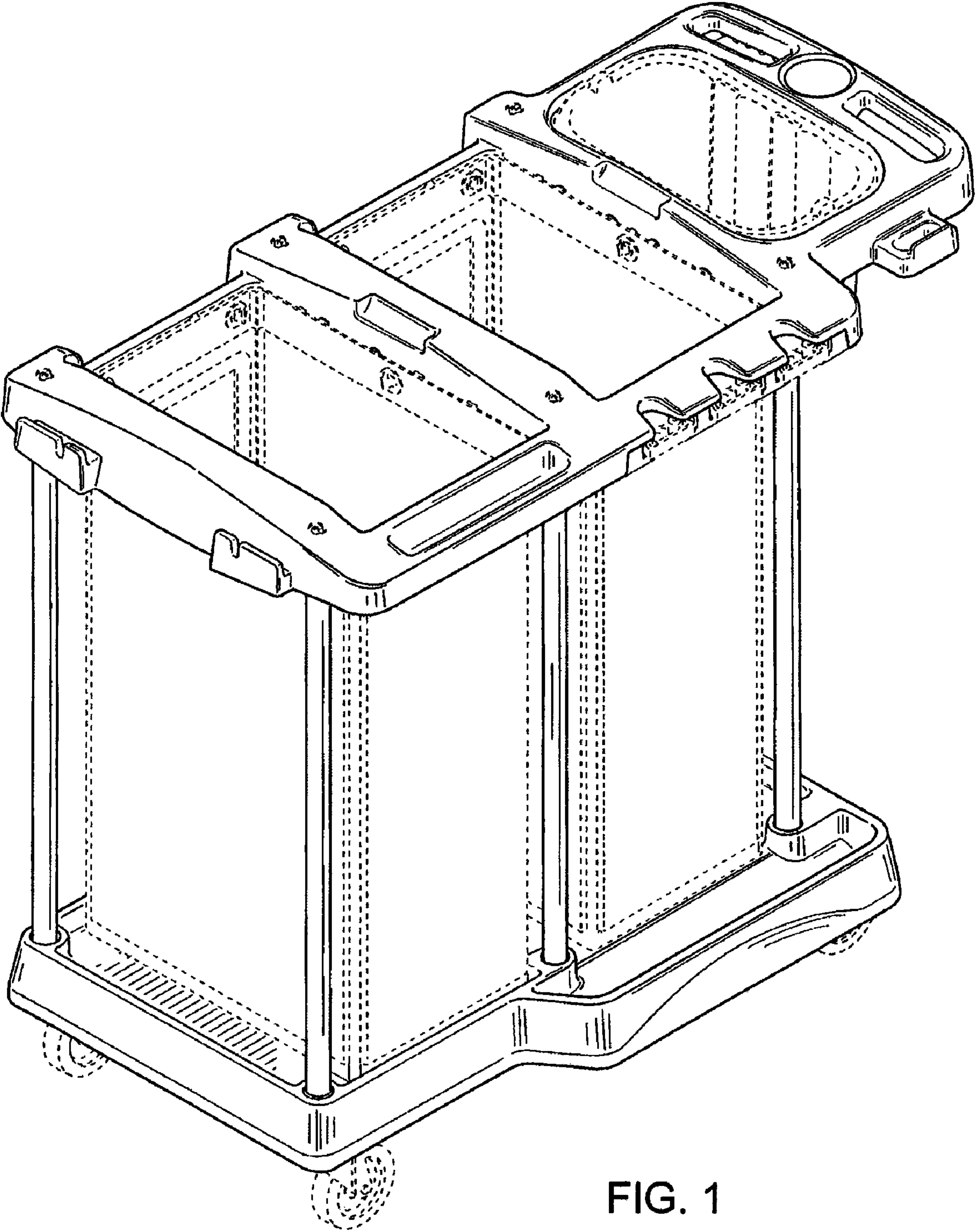


FIG. 1

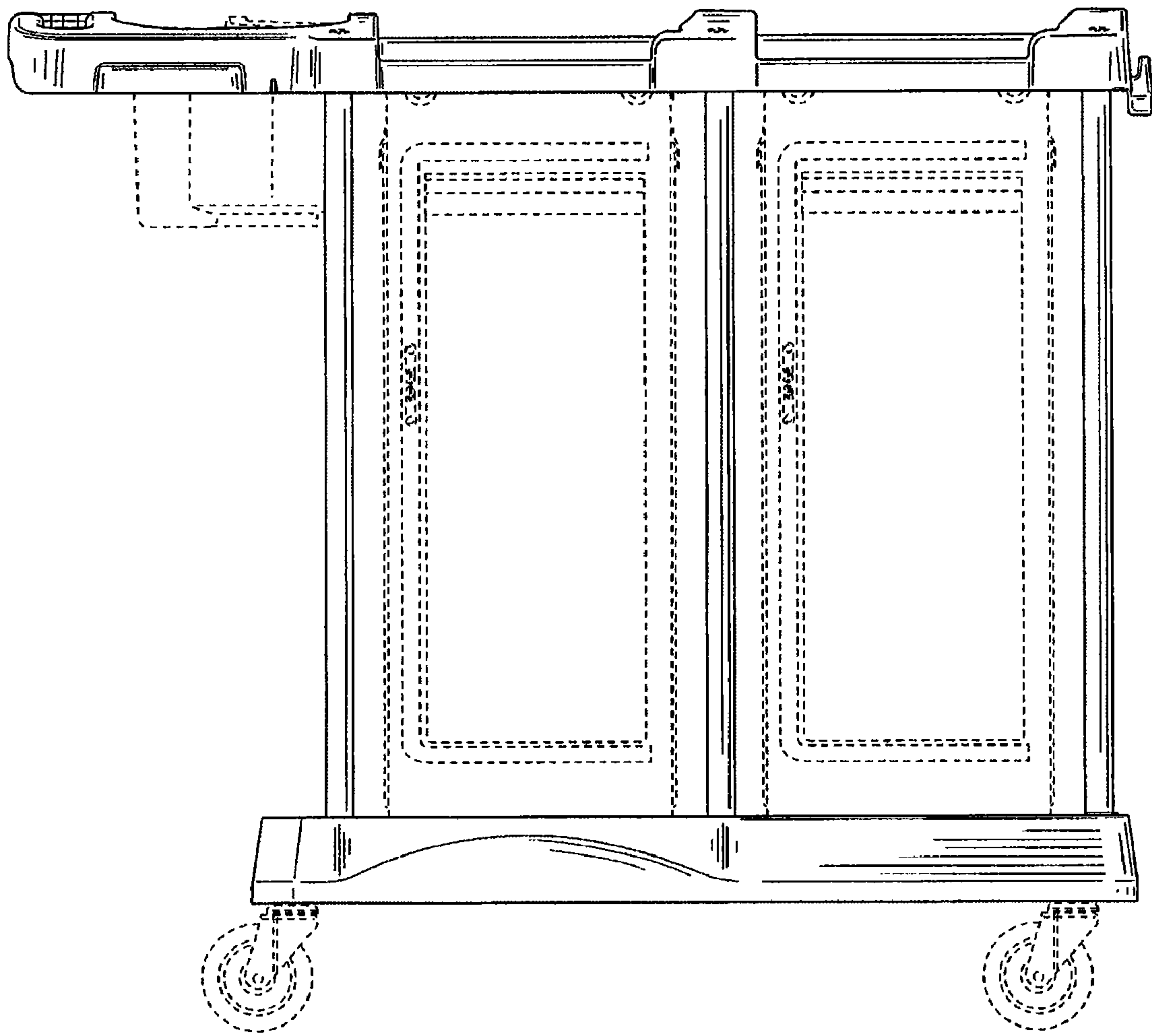


FIG. 2

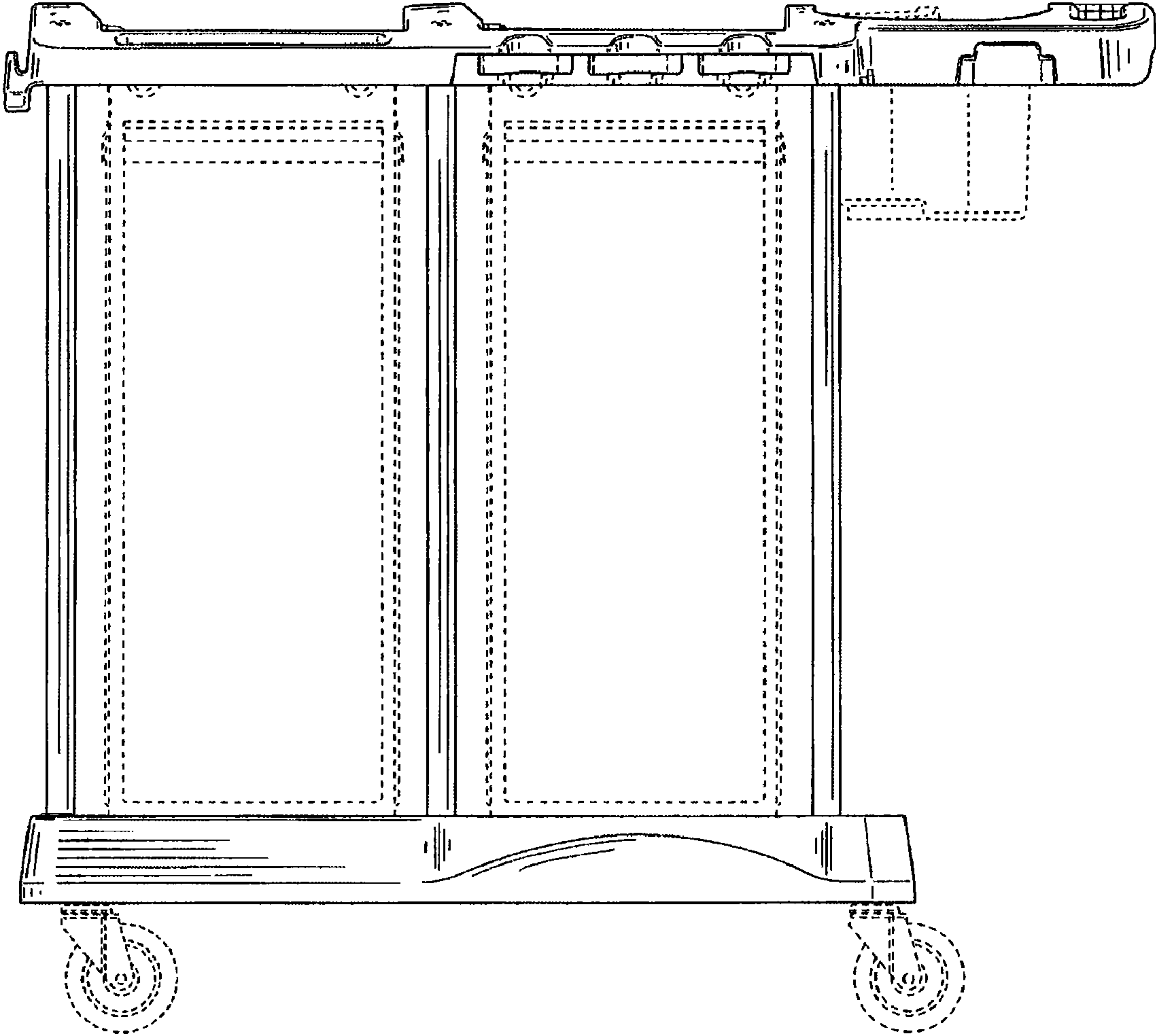


FIG. 3



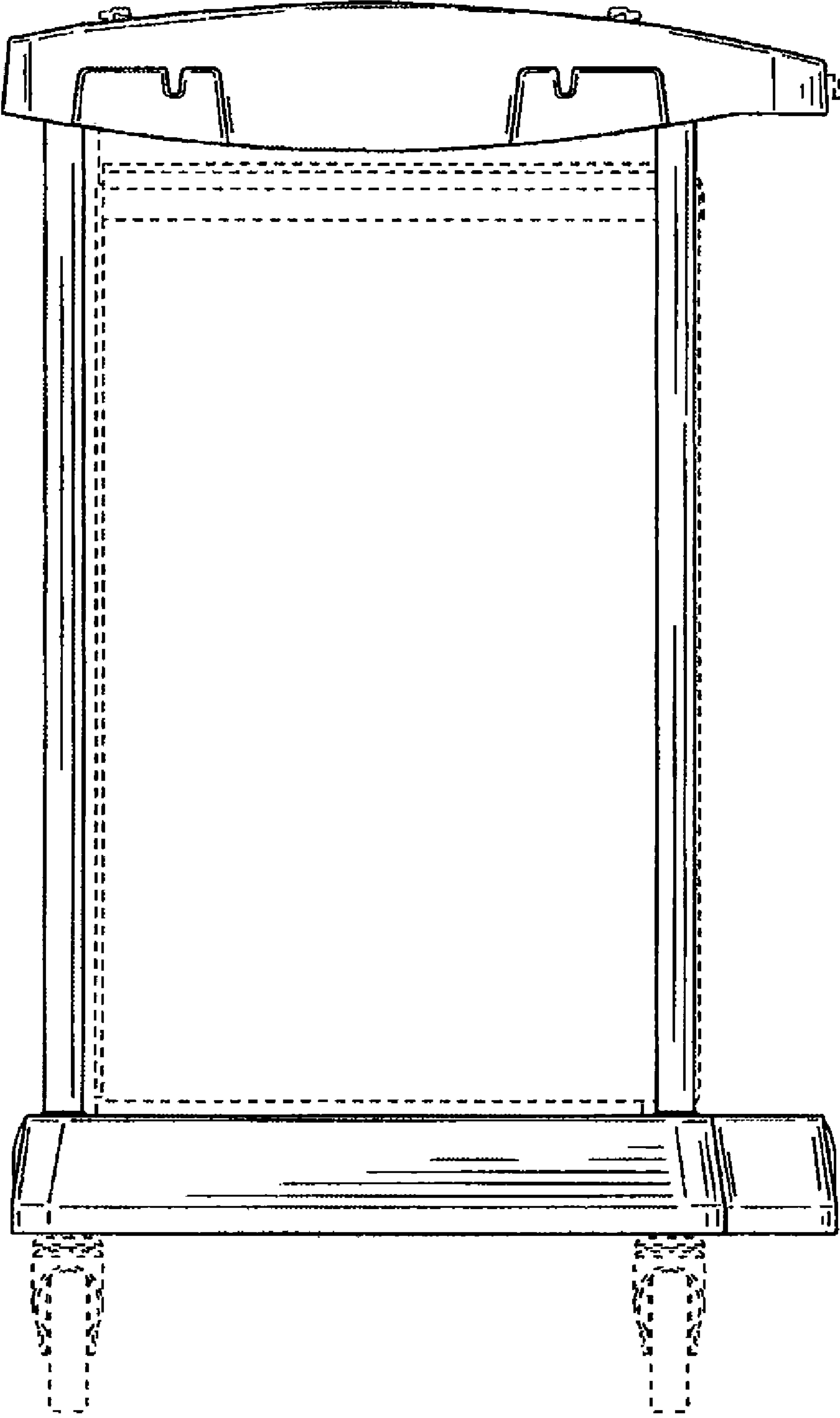


FIG. 4

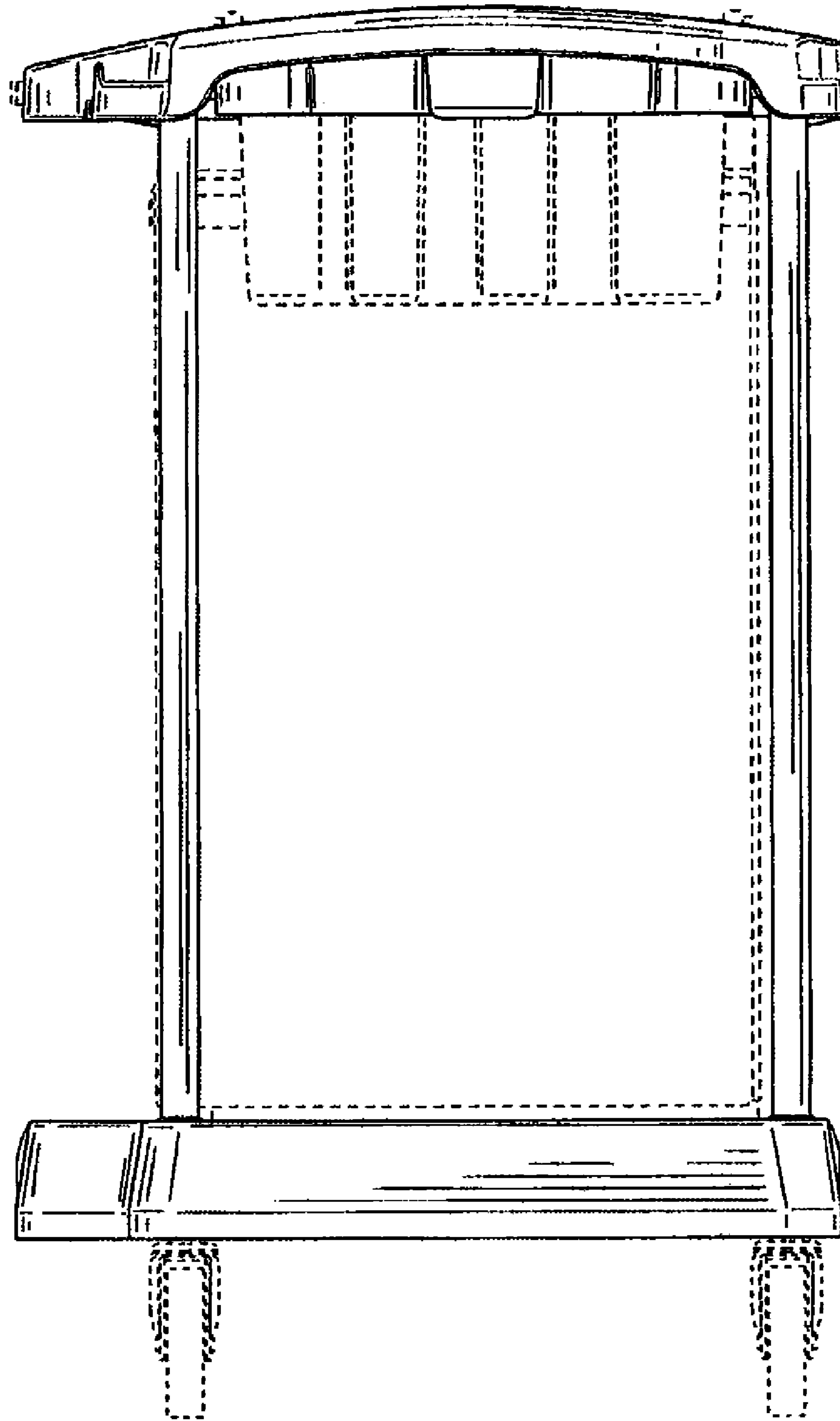


FIG. 5

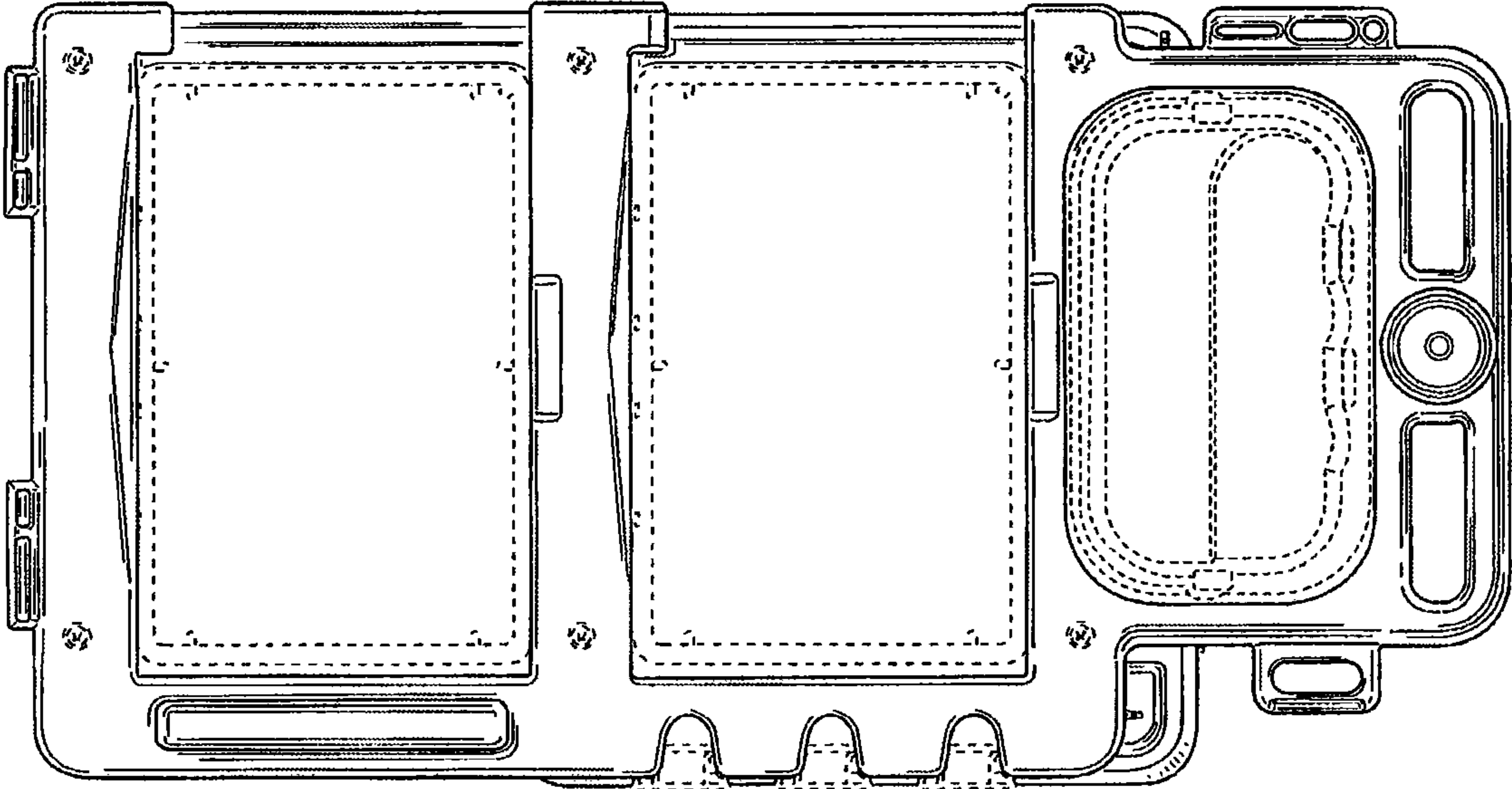


FIG. 6

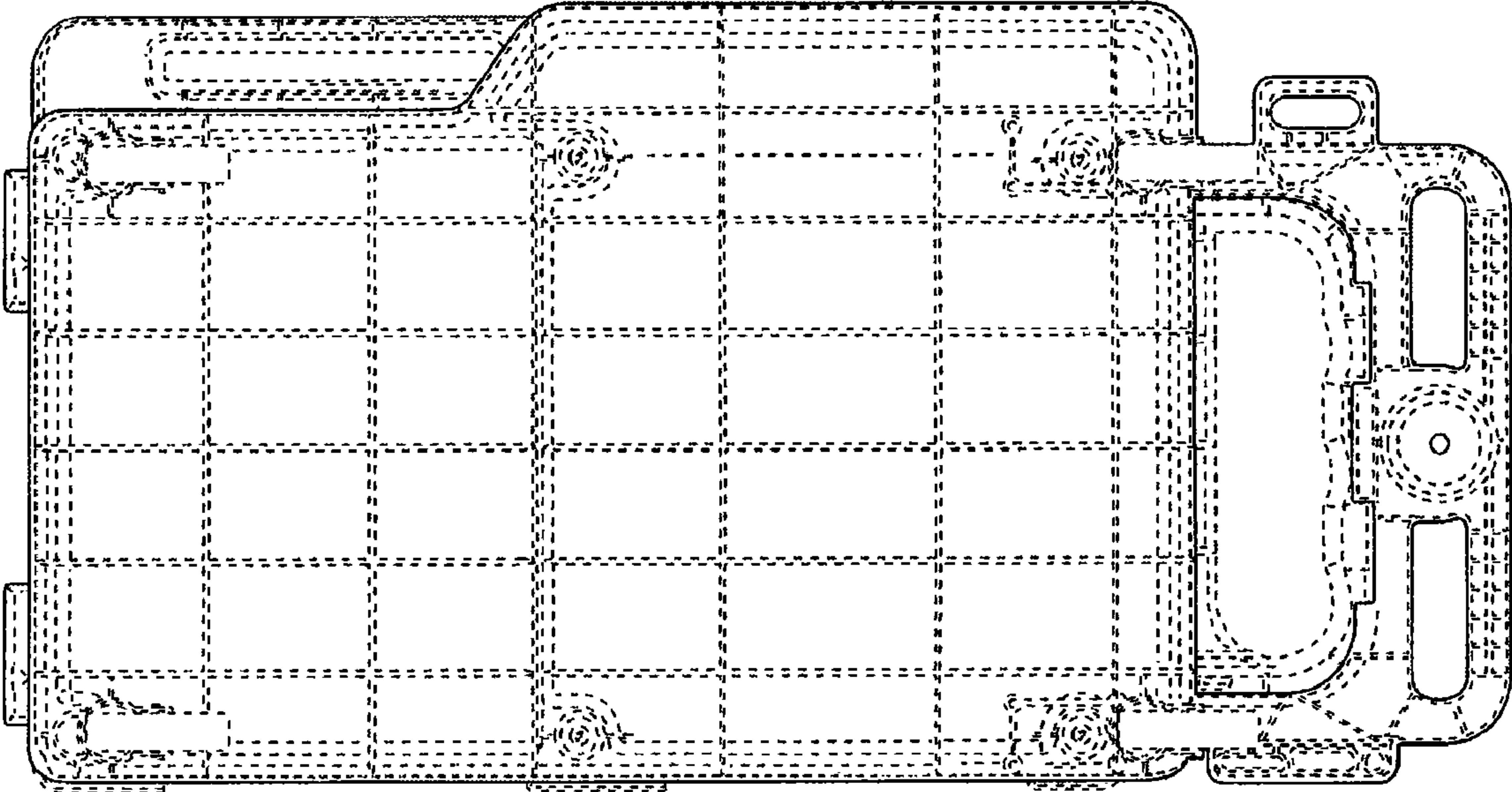


FIG. 7