

US00D607165S

(12) **United States Design Patent**
Libman et al.

(10) **Patent No.:** **US D607,165 S**

(45) **Date of Patent:** **** Dec. 29, 2009**

(54) **MOP**

(75) Inventors: **Robert J. Libman**, Arcola, IL (US);
Enzo Berti, Pianiga (IT); **Marco Bizzotto**, Padua (IT)

(73) Assignee: **The Libman Company**, Arcola, IL (US)

(**) Term: **14 Years**

(21) Appl. No.: **29/332,050**

(22) Filed: **Feb. 6, 2009**

(51) **LOC (9) Cl.** **14-01**

(52) **U.S. Cl.** **D32/45; D32/50**

(58) **Field of Classification Search** D32/35,
D32/40, 45, 50, 51, 30; 15/143.1, 147.1,
15/147.2, 209.1, 210.1, 228, 231, 233; 401/137-140,
401/15, 188 R, 268, 270, 278-279
See application file for complete search history.

(56) **References Cited**

U.S. PATENT DOCUMENTS

D401,703 S * 11/1998 Beechuk et al. D32/45
5,888,006 A * 3/1999 Ping et al. 401/139
6,101,661 A * 8/2000 Policicchio et al. 15/228
D458,427 S * 6/2002 Kunkler et al. D32/45
6,497,525 B1 * 12/2002 Huang 401/138
D482,829 S * 11/2003 Vosbikian et al. D32/45
6,669,391 B2 * 12/2003 Policicchio et al. 401/270

D487,174 S * 2/2004 Colman et al. D32/45
D497,699 S * 10/2004 Chi-Hsiang et al. D32/45
D514,267 S * 1/2006 Tsai D32/45
D583,118 S * 12/2008 Snyder D32/51
D590,117 S * 4/2009 Crawford et al. D32/45
D591,921 S * 5/2009 Rosenzweig et al. D32/45
D592,819 S * 5/2009 Crawford et al. D32/45
D597,717 S * 8/2009 Rosenzweig et al. D32/45
D597,718 S * 8/2009 McNeil et al. D32/45

* cited by examiner

Primary Examiner—Cathron C Brooks

Assistant Examiner—Austin Murphy

(74) *Attorney, Agent, or Firm*—Banner & Witcoff, Ltd.

(57) **CLAIM**

The ornamental design for a mop, as shown and described.

DESCRIPTION

FIG. 1 is a rear left perspective view of a mop showing a first embodiment of our new design;

FIG. 2 is a front view thereof;

FIG. 3 is a right view thereof,

FIG. 4 is a rear view thereof;

FIG. 5 is a left view thereof;

FIG. 6 is a top view thereof; and,

FIG. 7 is a bottom view thereof.

1 Claim, 4 Drawing Sheets

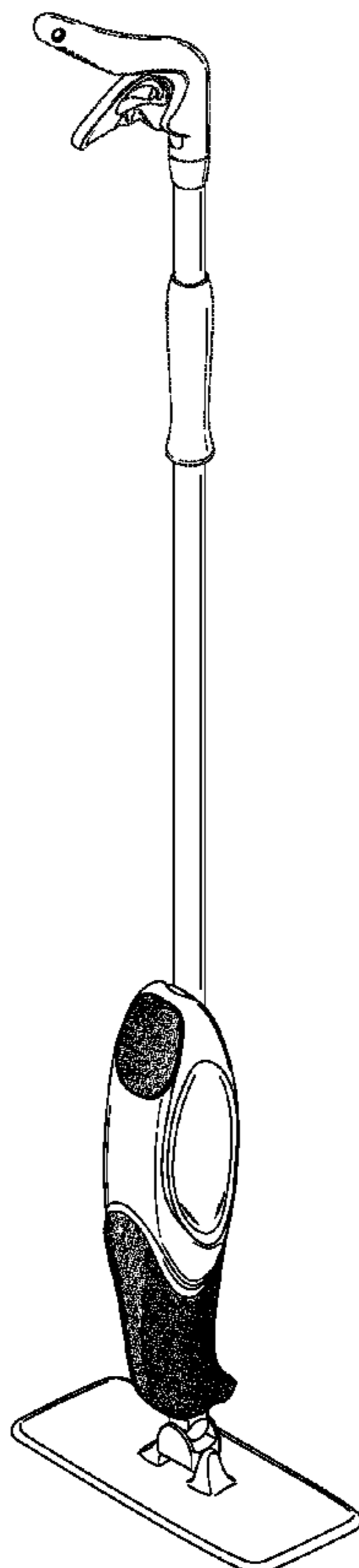


Fig. 1

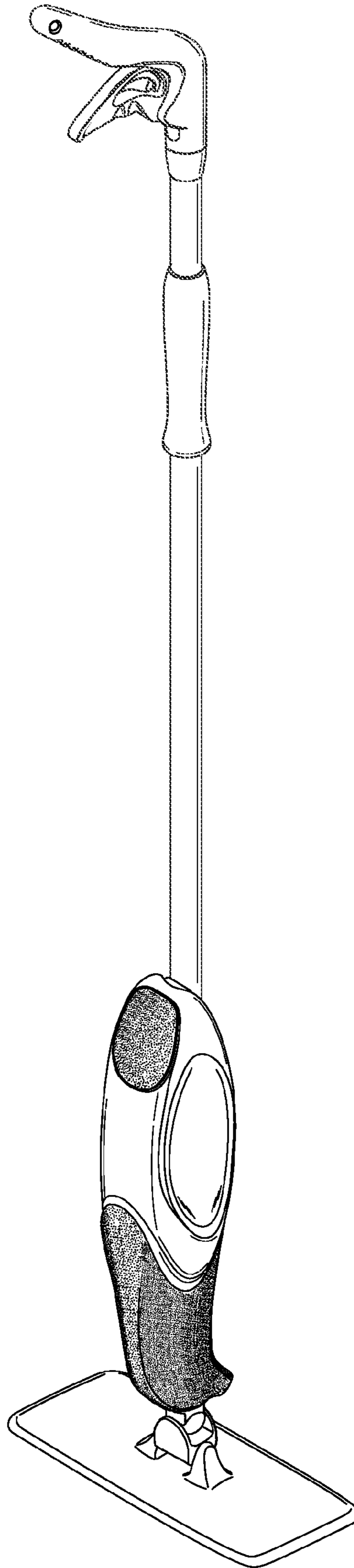


Fig. 2

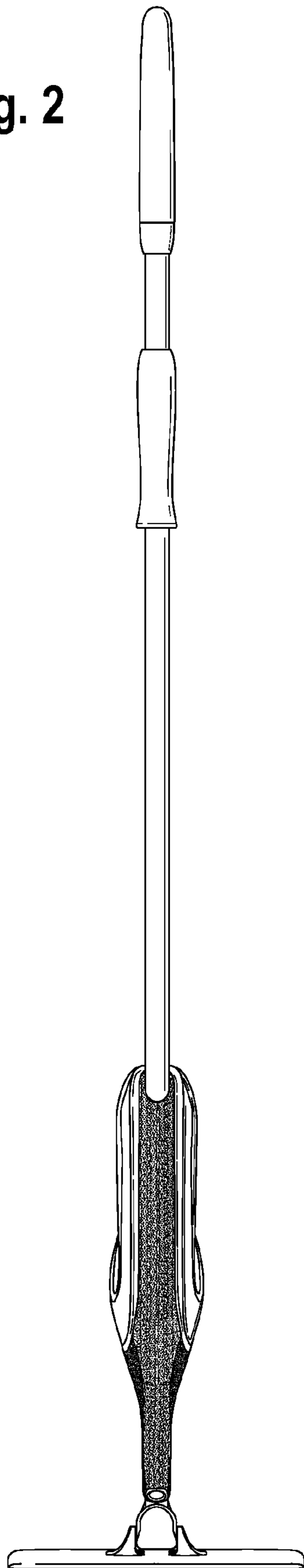


Fig. 3

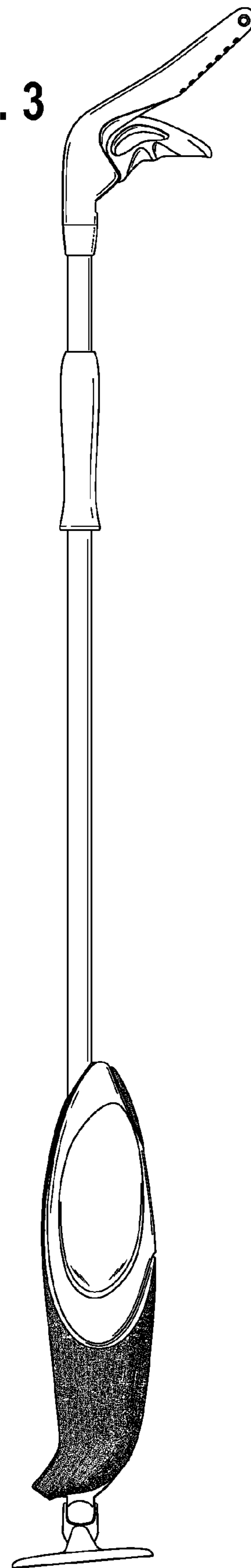


Fig. 4

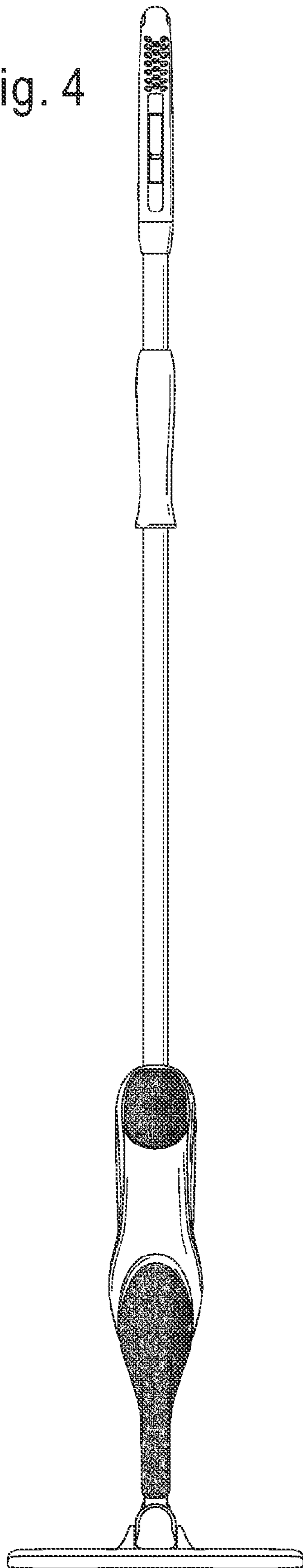


Fig. 5

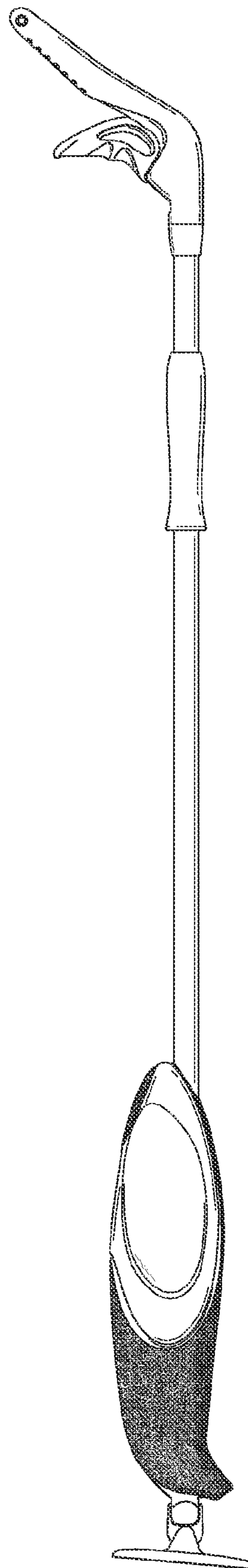


Fig. 6

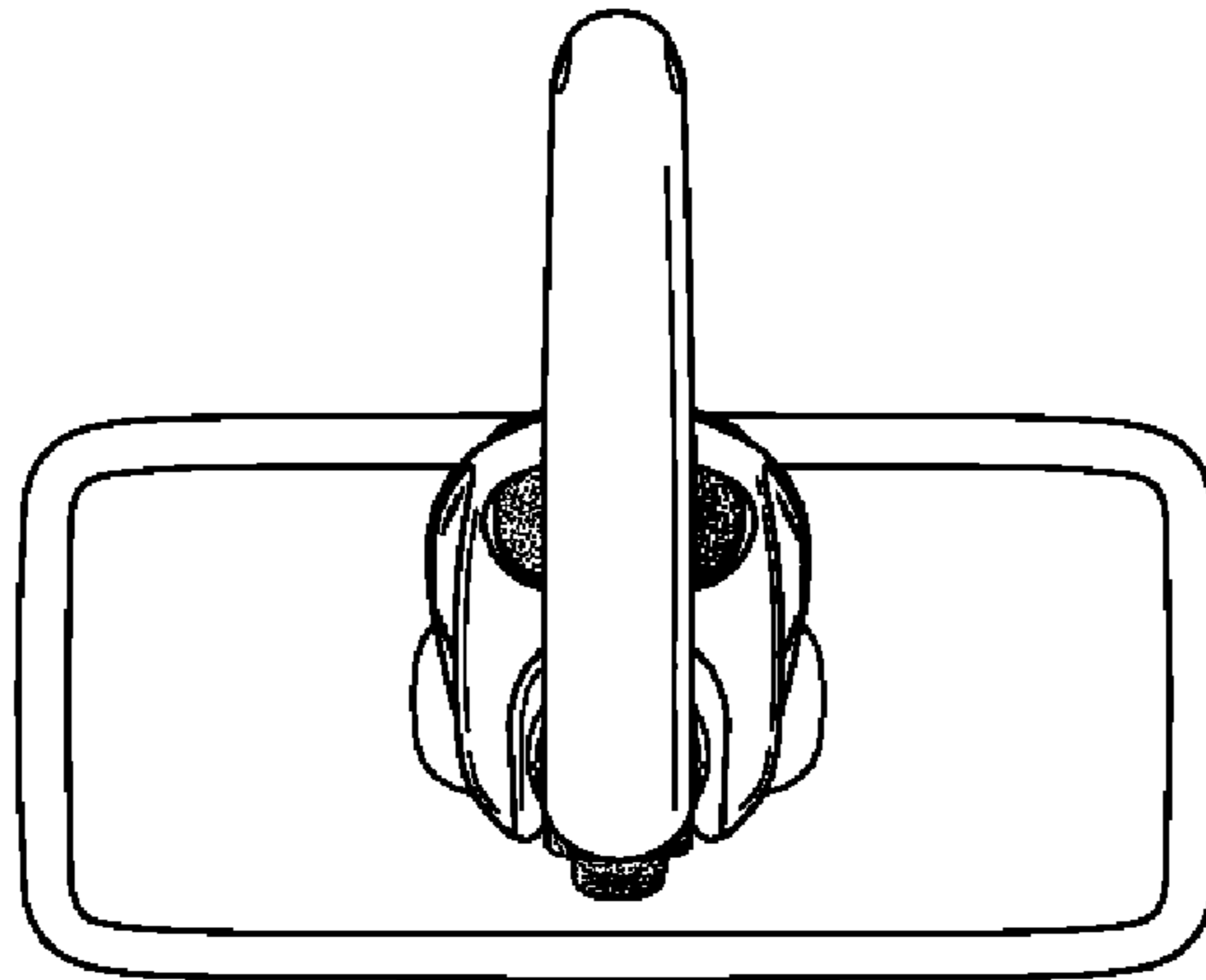


Fig. 7

