



US00D607162S

(12) **United States Design Patent**
Brown

(10) **Patent No.:** **US D607,162 S**
(45) **Date of Patent:** **** Dec. 29, 2009**

(54) **BAGLESS UPRIGHT VACUUM CLEANER**

(75) Inventor: **Morgan S. Brown**, Danville, KY (US)

(73) Assignee: **Panasonic Corporation of North America**, Secaucus, NJ (US)

(**) Term: **14 Years**

(21) Appl. No.: **29/332,121**

(22) Filed: **Feb. 9, 2009**

(51) **LOC (9) Cl.** **15-05**

(52) **U.S. Cl.** **D32/22**

(58) **Field of Classification Search** D32/22,
D32/30-31, 34; 15/320-321, 329, 350-354,
15/362, 410, 411, 347; 55/366, 429, 315,
55/356, 372, 337, DIG. 3, 345; 95/271
See application file for complete search history.

(56) **References Cited**

U.S. PATENT DOCUMENTS

D398,098 S	9/1998	Mehaffey et al.	
D406,928 S	3/1999	Rowley et al.	
D415,324 S *	10/1999	Wang et al.	D32/22
D416,114 S	11/1999	Mehaffey	
D418,265 S *	12/1999	Farone et al.	D32/22
D455,530 S *	4/2002	Fujii	D32/22
D459,561 S	6/2002	Leyden	
D461,285 S	8/2002	Hammond	
D462,813 S *	9/2002	Nakano et al.	D32/22
D485,026 S	1/2004	Brown	
D485,027 S	1/2004	Brown	

D487,323 S	3/2004	Leyden et al.	
D488,894 S	4/2004	Leyden	
D488,896 S	4/2004	Leyden	
6,735,818 B2 *	5/2004	Hamada et al.	15/410
D494,720 S *	8/2004	Rosenzweig et al.	D32/31
D497,042 S *	10/2004	Elrod	D32/22
D499,220 S *	11/2004	Kim	D32/22
D510,465 S *	10/2005	Takahashi et al.	D32/22
D516,760 S *	3/2006	Choi	D32/22
D519,250 S	4/2006	Leyden	

* cited by examiner

Primary Examiner—Ruth McInroy

(74) *Attorney, Agent, or Firm*—King & Schickli, PLLC

(57) **CLAIM**

The ornamental design for a bagless upright vacuum cleaner, as shown and described.

DESCRIPTION

FIG. 1 is a front perspective view of a bagless upright vacuum cleaner showing my new design;

FIG. 2 is a front elevational view thereof;

FIG. 3 is a left side elevational view thereof;

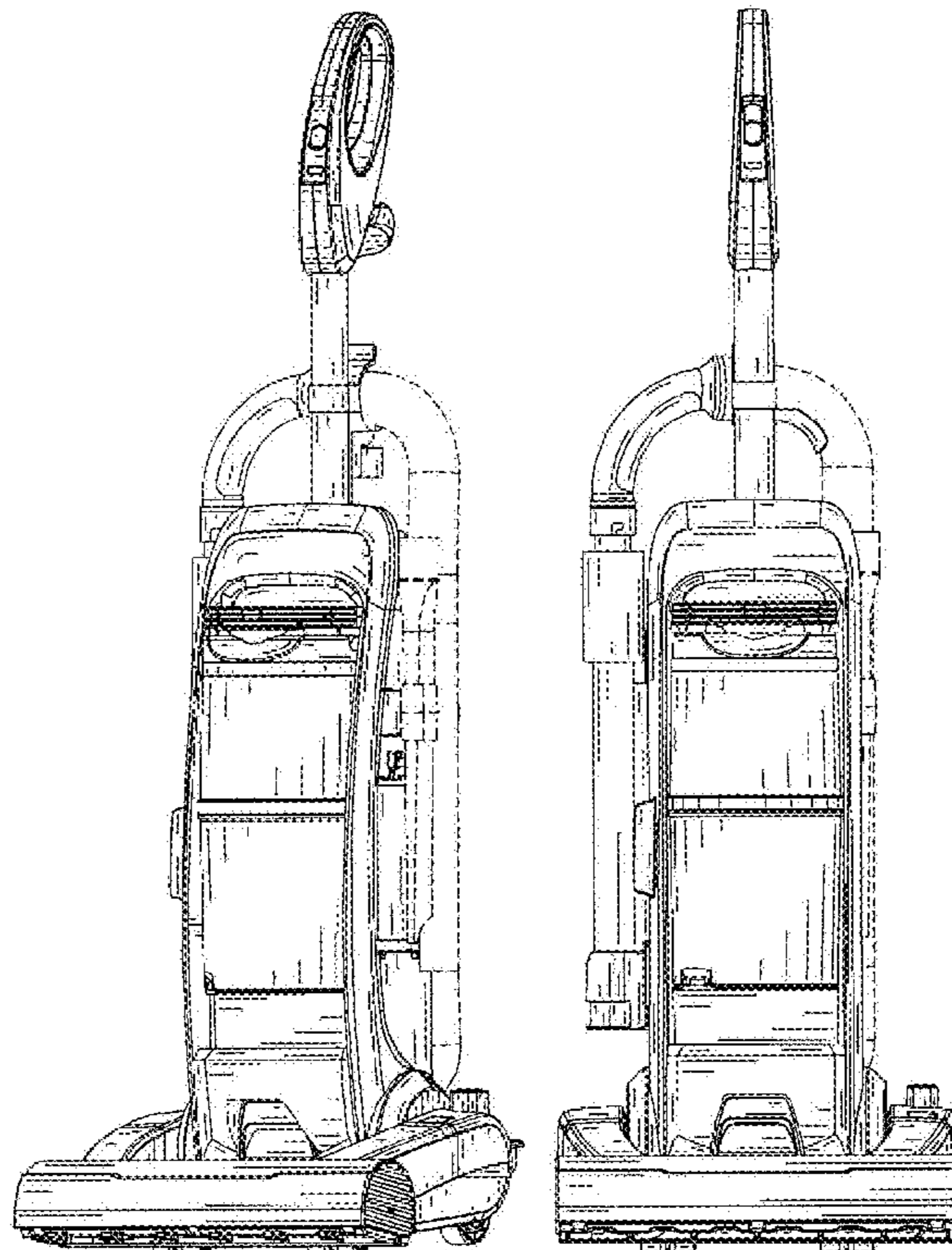
FIG. 4 is a rear elevational view thereof;

FIG. 5 is a right side elevational view thereof; and,

FIG. 6 is a top plan view thereof.

The broken lines in the Figures are for illustrative purposes only and form no part of the claimed design.

1 Claim, 6 Drawing Sheets



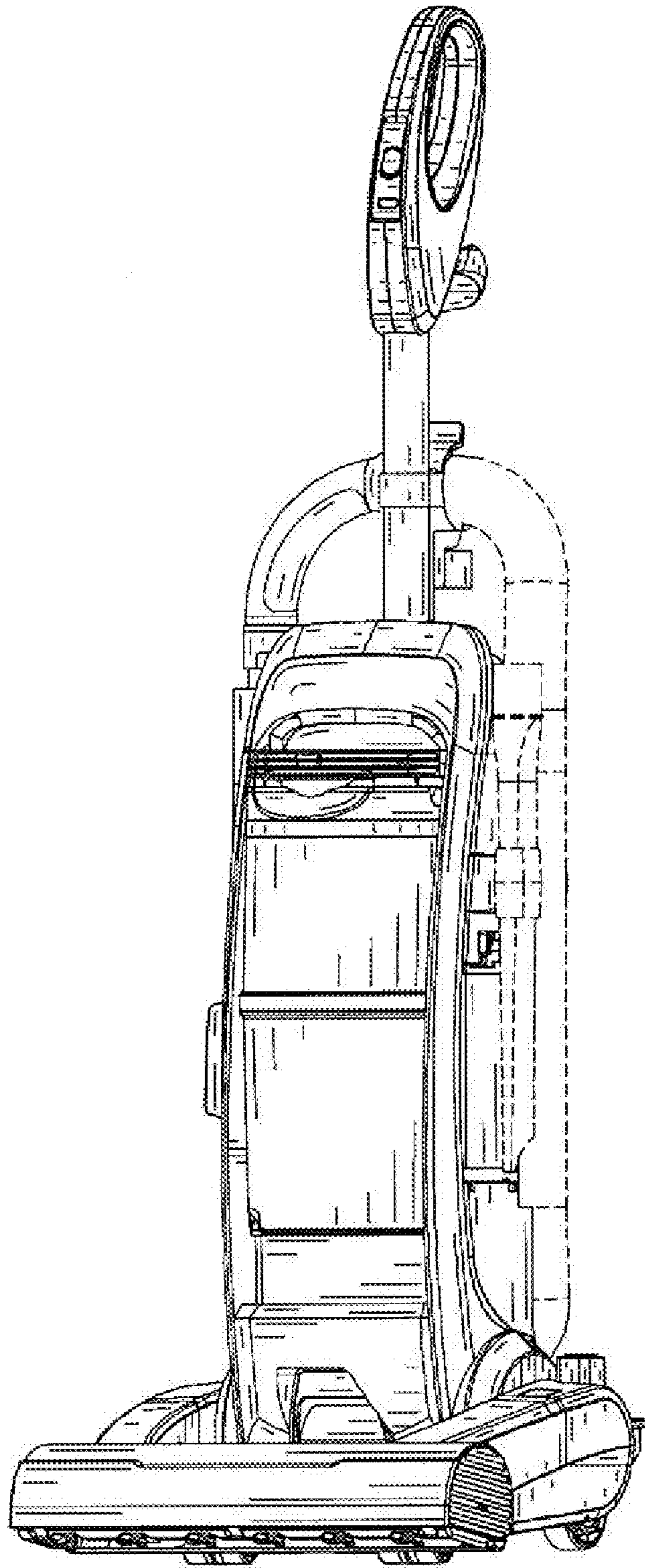


FIG. 1

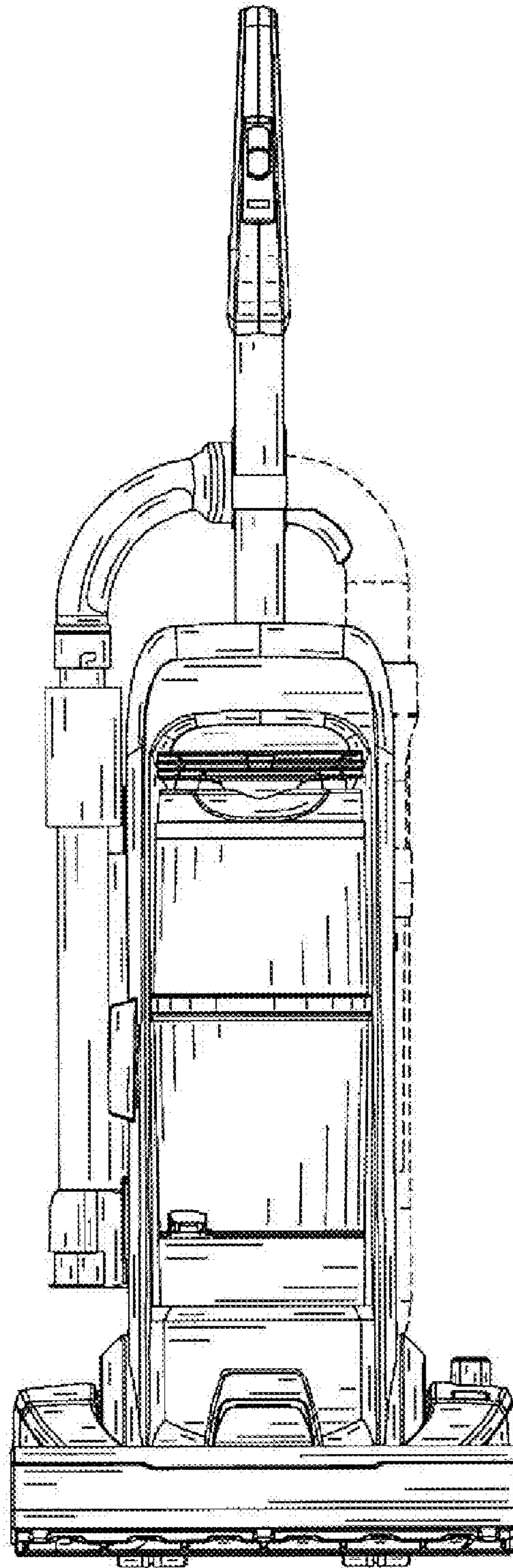


FIG. 2

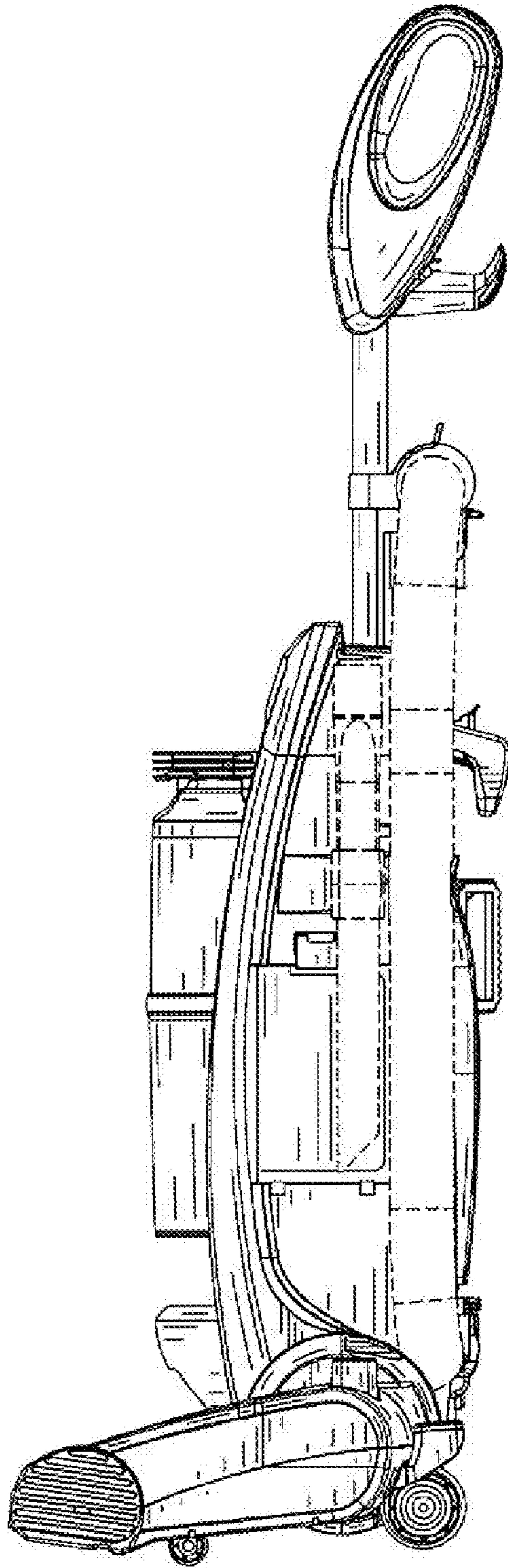


FIG. 3

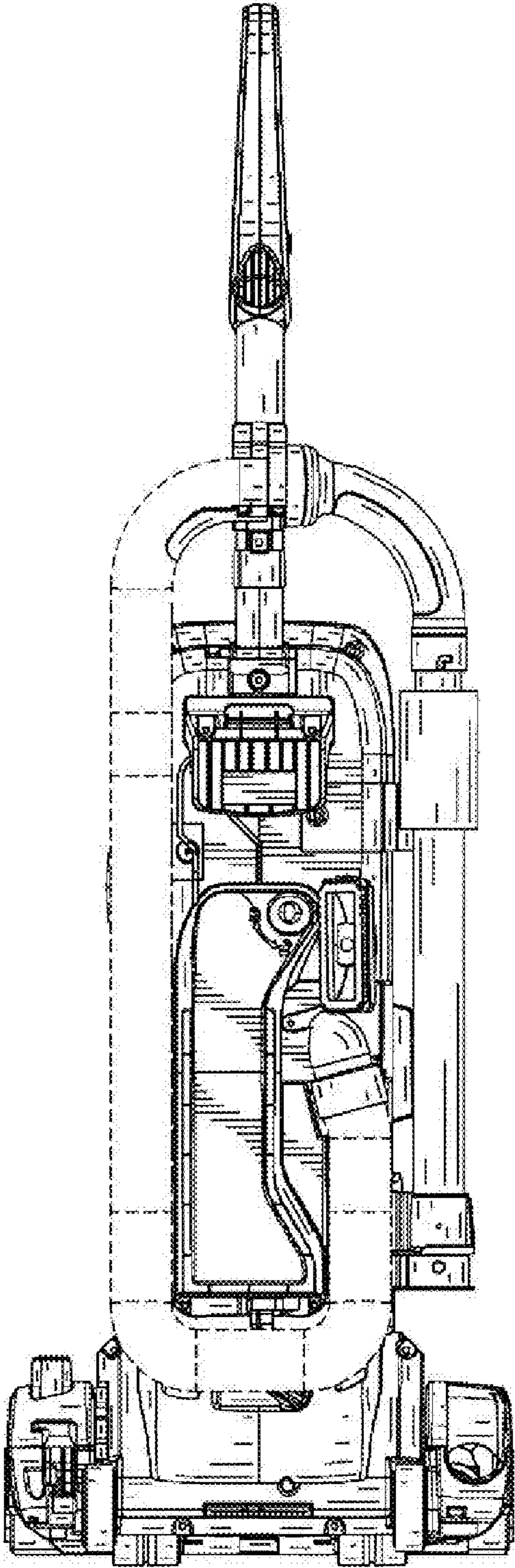


FIG. 4

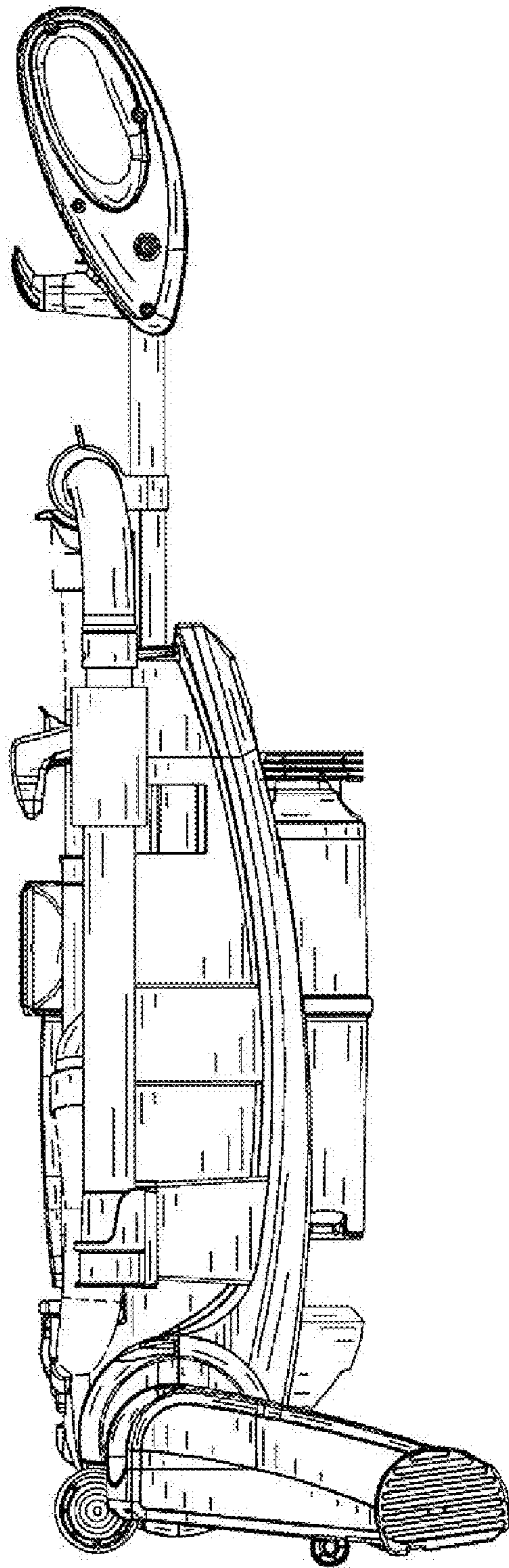


FIG. 5

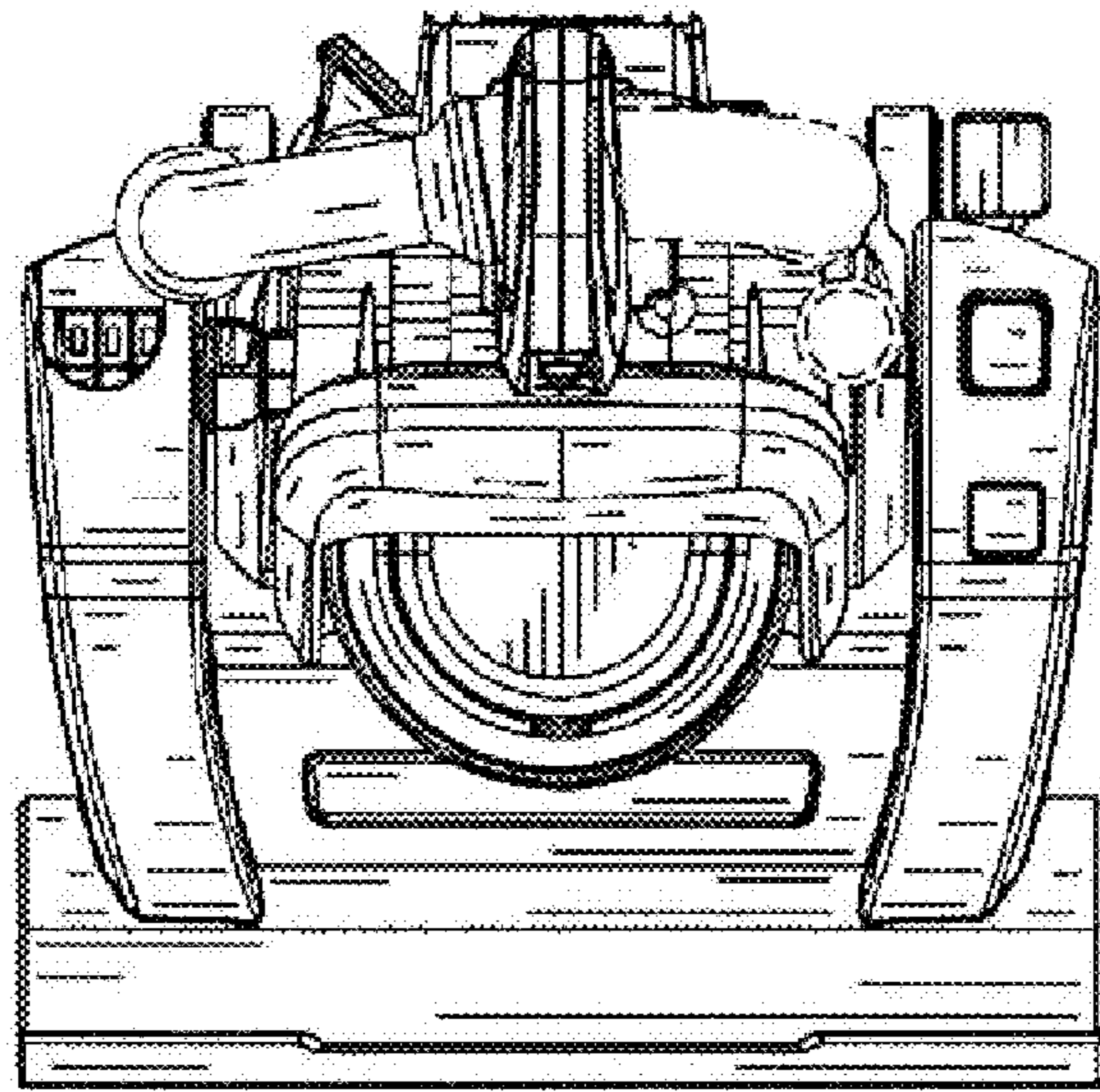


FIG. 6