

US00D607153S

(12) **United States Design Patent**
Campbell et al.

(10) **Patent No.:** **US D607,153 S**

(45) **Date of Patent:** **** Dec. 29, 2009**

(54) **MODULAR STORAGE CONTAINER**

(75) Inventors: **Joan E. Campbell**, Arlington, VA (US);
Barry E. Claybrook, Arlington, VA
(US); **Bradley S. Kell**, Pembroke, MA
(US); **Stephen C. Antonucci**,
Hendersonville, NC (US)

(73) Assignee: **Sleek Stax, LLC**, Arlington, VA (US)

(**) Term: **14 Years**

(21) Appl. No.: **29/322,116**

(22) Filed: **Jul. 29, 2008**

(51) **LOC (9) Cl.** **28-03**

(52) **U.S. Cl.** **D28/76**

(58) **Field of Classification Search** D28/73,
D28/76-78, 83; 220/4.26-4.27; 132/286,
132/287, 293-307, 314-318; 206/581, 823
See application file for complete search history.

(56) **References Cited**

U.S. PATENT DOCUMENTS

2,077,219	A	4/1937	Conner	
2,514,573	A	7/1950	Harrison	
D210,057	S *	1/1968	Pfrommer	D28/76
3,441,033	A	4/1969	Flax	
4,807,773	A	2/1989	Tsai	
5,025,817	A *	6/1991	Wen	132/296
D350,460	S	9/1994	Picozza et al.	
D350,836	S *	9/1994	Chevassus	D28/76
D377,757	S	2/1997	Bertolini et al.	
D404,531	S *	1/1999	Bakic et al.	D28/76
6,145,515	A	11/2000	Wu	
D471,321	S	3/2003	Lai	
6,745,900	B2	6/2004	Lambert	

D517,737	S	3/2006	Lai	
D533,310	S	12/2006	Kuo	
D549,393	S	8/2007	Jackel-Marken	
D560,312	S	1/2008	Washington	
2002/0094224	A1 *	7/2002	Kaufman	401/17
2004/0129600	A1	7/2004	Gueret	
2006/0231116	A1	10/2006	Kaiser et al.	

* cited by examiner

Primary Examiner—Jennifer Rivard

(74) *Attorney, Agent, or Firm*—Law Office of Peter G. Korytnyk, PLLC

(57) **CLAIM**

The ornamental design for a modular storage container, as shown and described.

DESCRIPTION

FIG. 1 is a front, right, and top perspective view of an ornamental design for a modular storage container according to the present teachings;

FIG. 2 is a front view thereof;

FIG. 3 is a back view thereof;

FIG. 4 is a right side view thereof;

FIG. 5 is the left side view thereof;

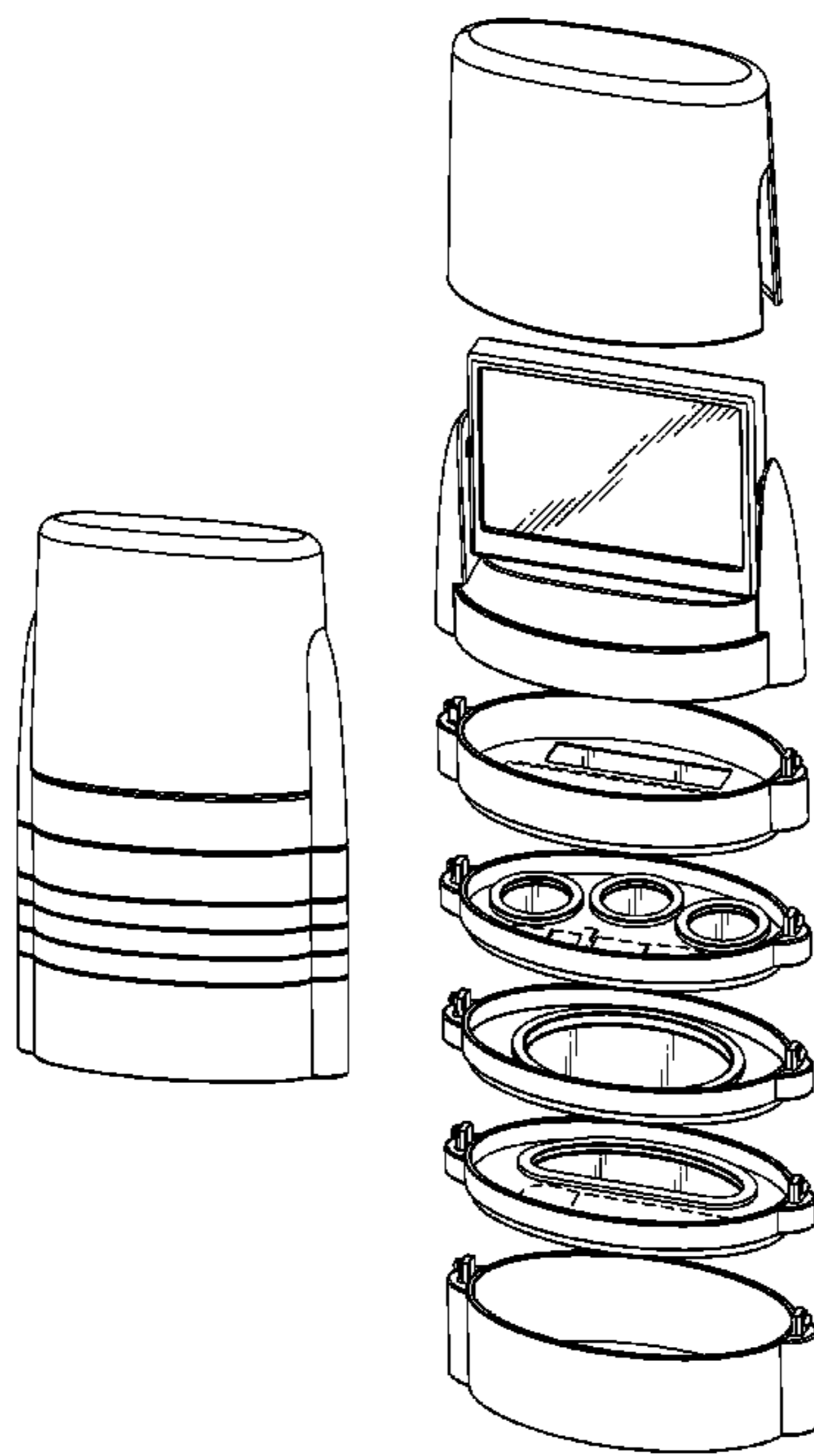
FIG. 6 is a top view thereof;

FIG. 7 is a bottom view thereof; and,

FIG. 8 is an exploded, front, right, and top perspective view thereof.

The broken lines shown in the drawings illustrate portions of the article and form no part of the claimed design.

1 Claim, 3 Drawing Sheets



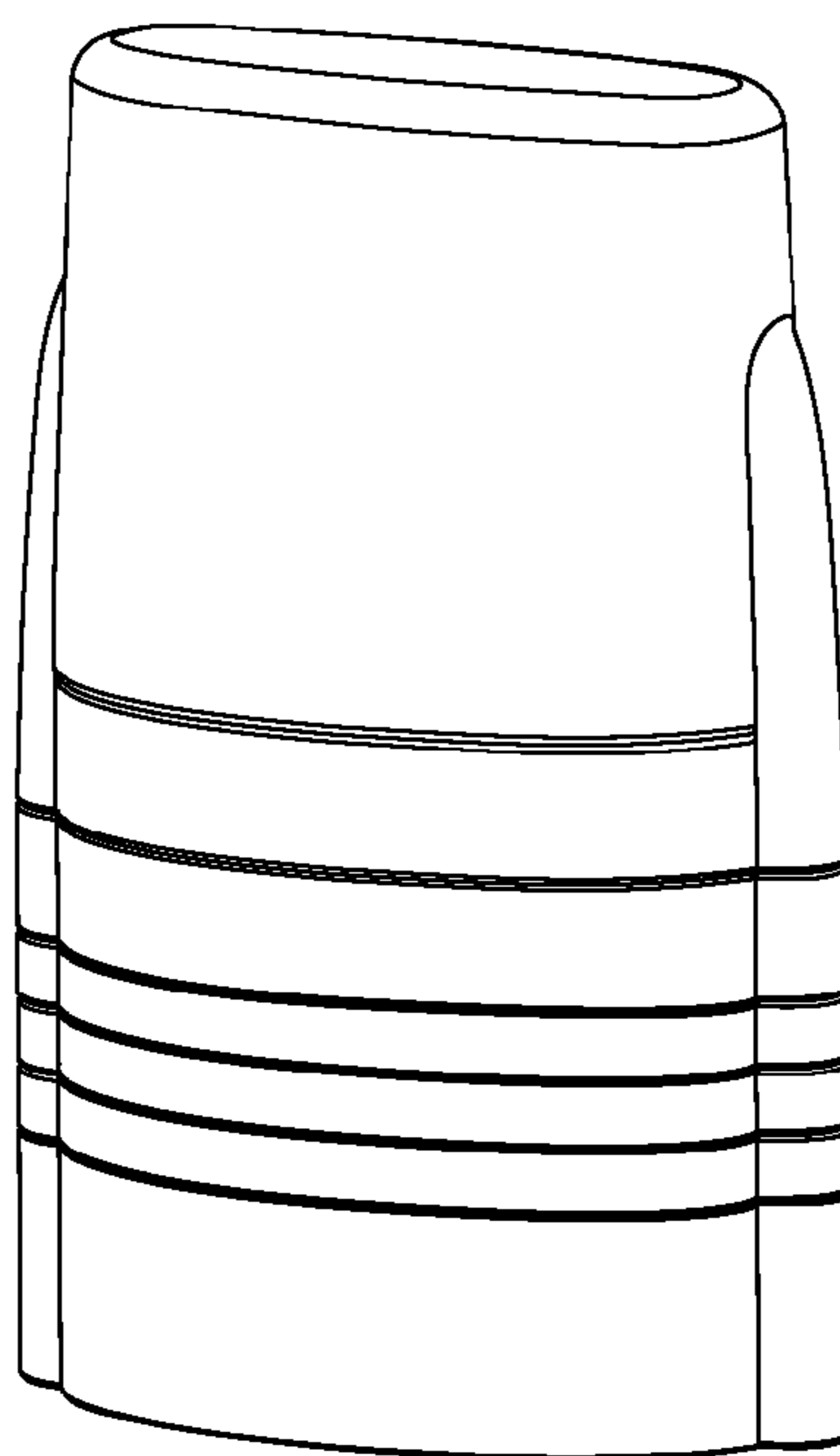


Fig. 1

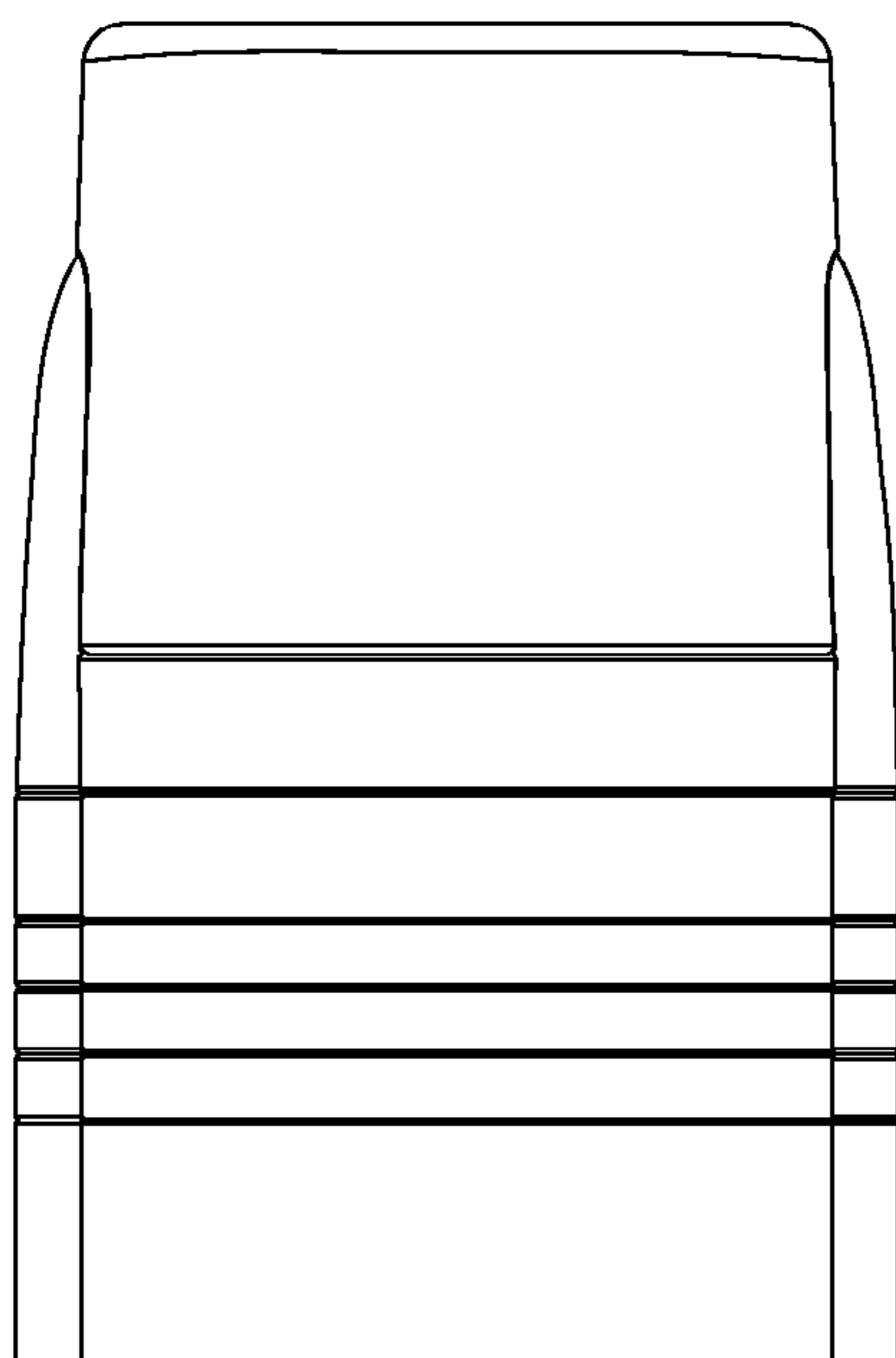


Fig. 2

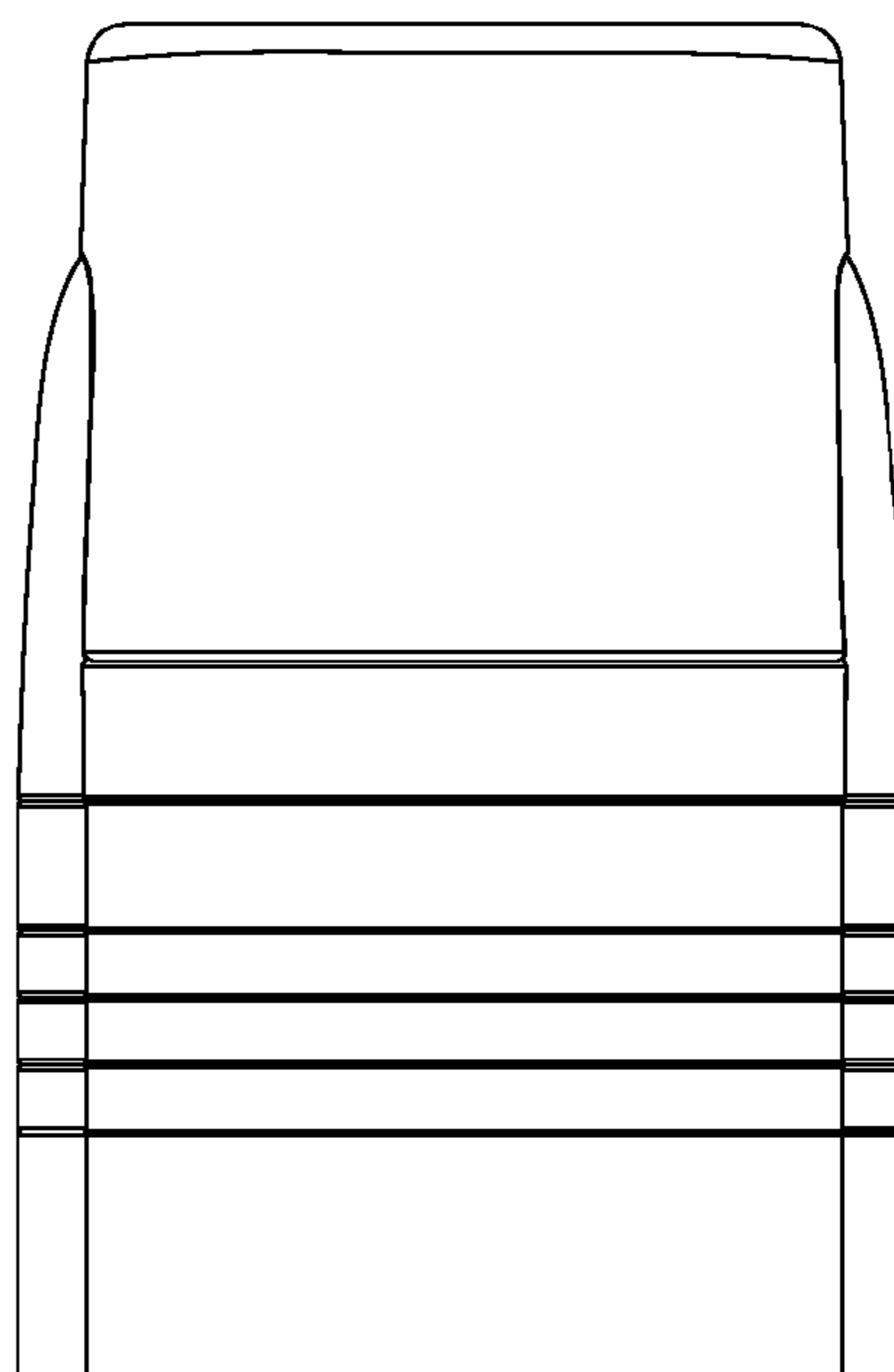


Fig. 3

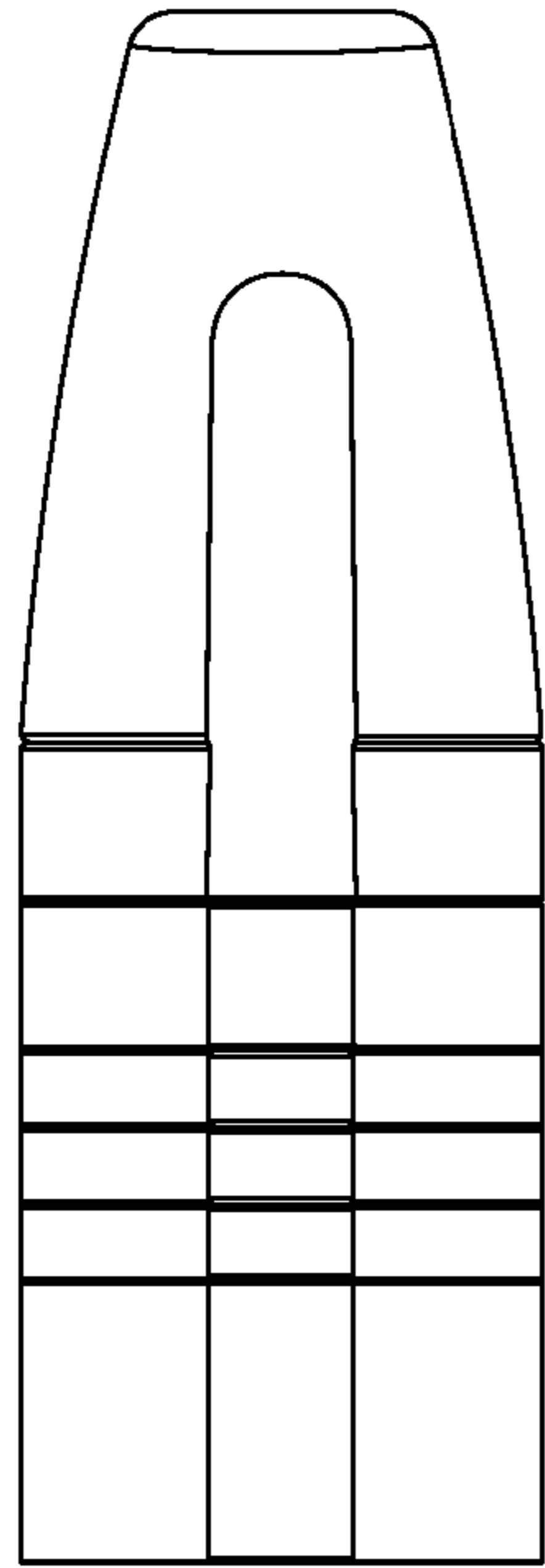


Fig. 4

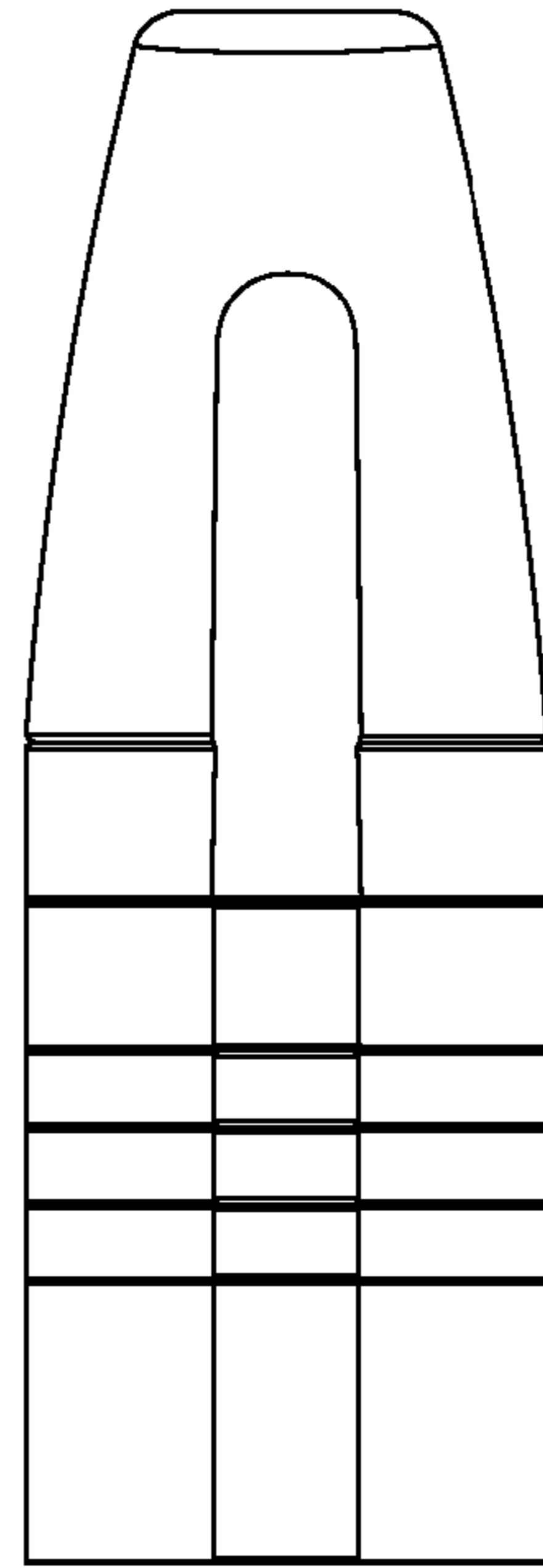


Fig. 5

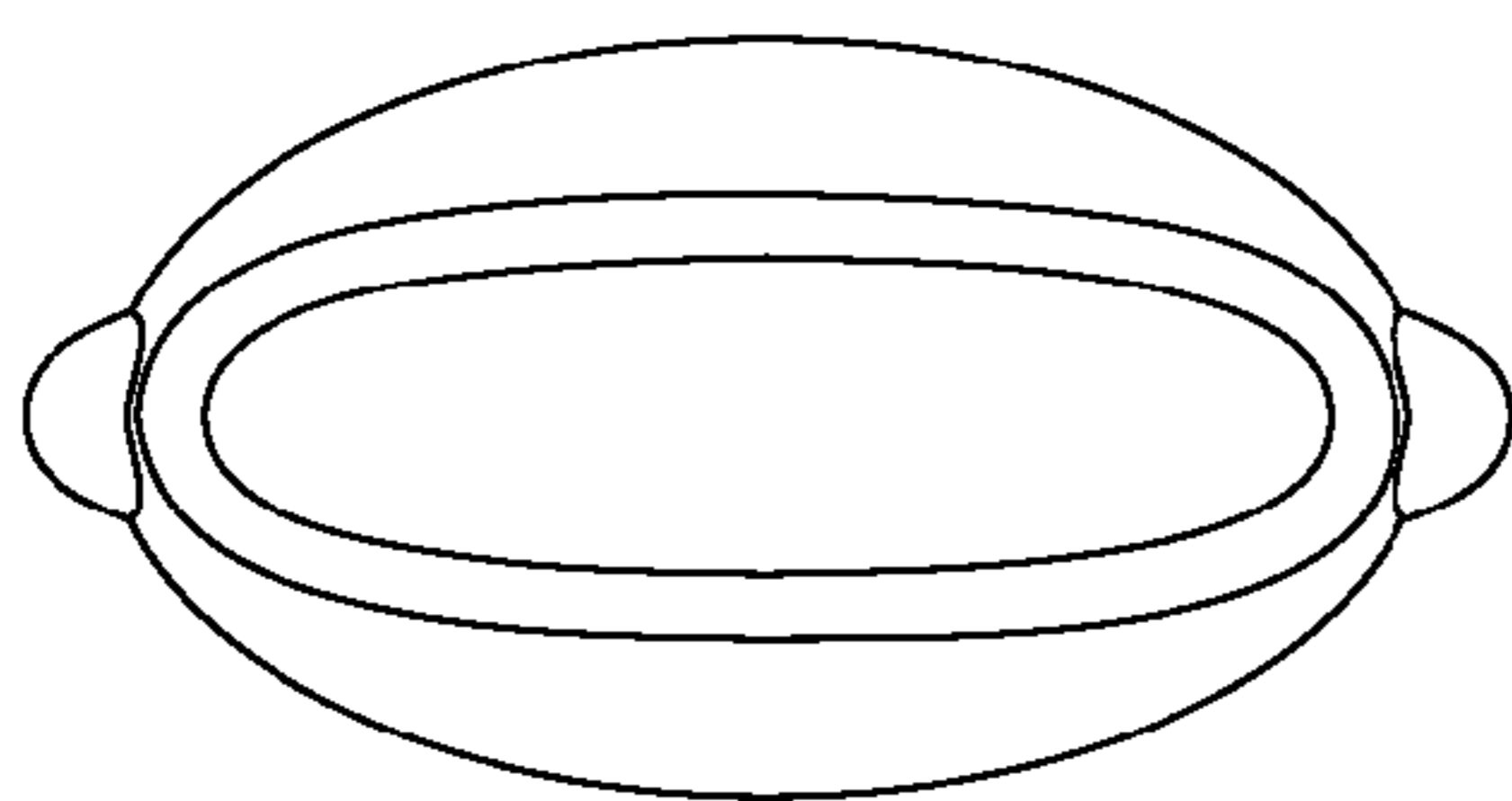


Fig. 6

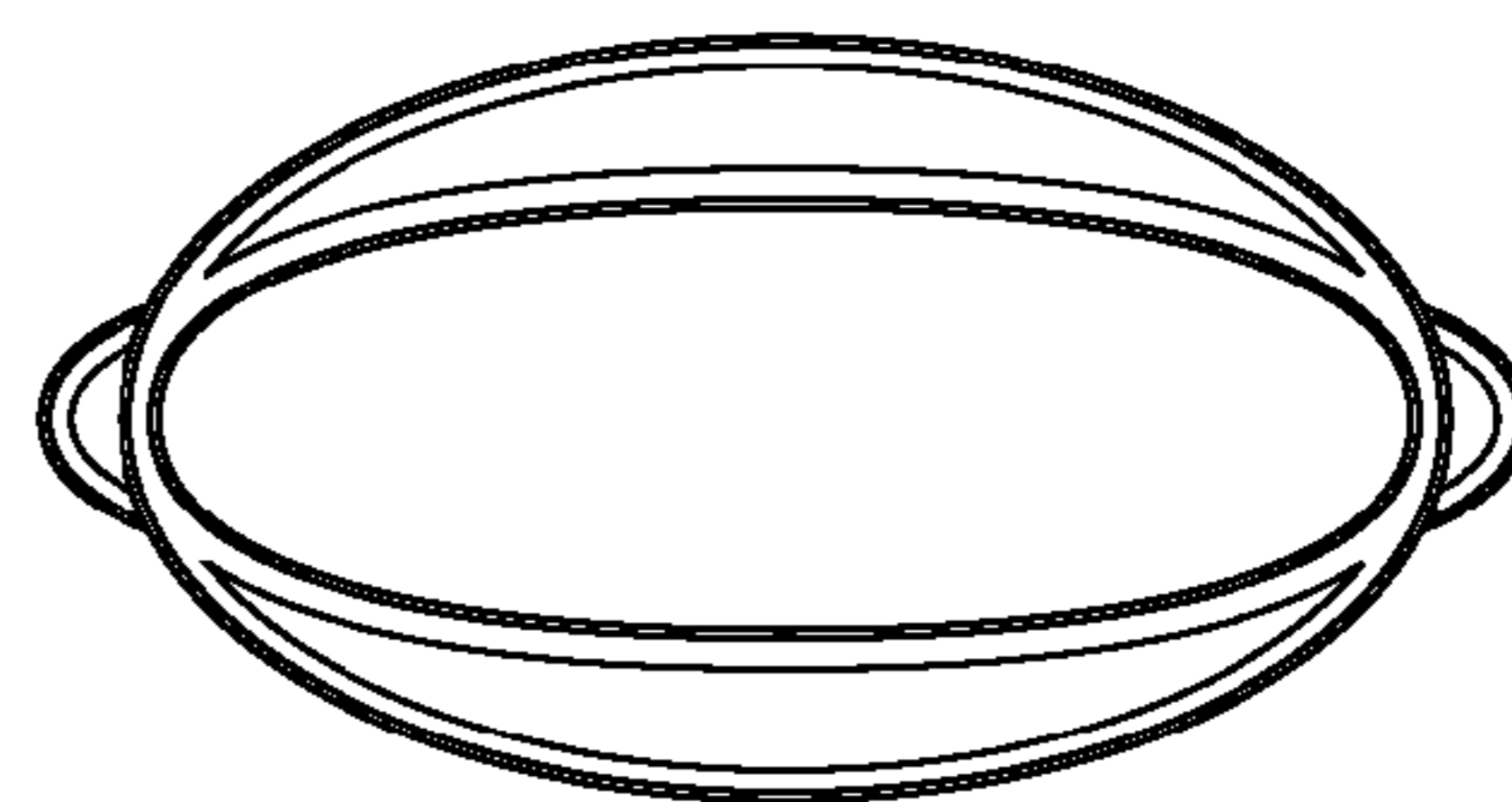


Fig. 7

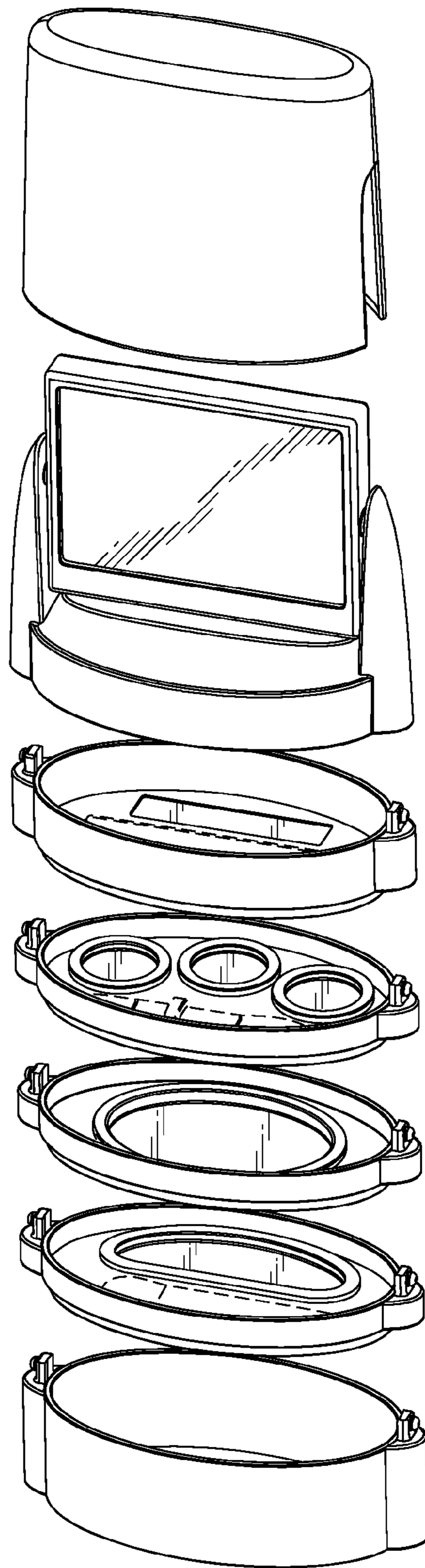


Fig. 8