



US00D607152S

(12) **United States Design Patent**
Chodorow et al.

(10) **Patent No.:** **US D607,152 S**

(45) **Date of Patent:** **** Dec. 29, 2009**

(54) **DENTAL FLOSSER**

(75) Inventors: **Ingram S. Chodorow**, Rancho Santa Fe, CA (US); **Scott D. Salmon**, Tenafly, NJ (US)

(73) Assignee: **Ranir LLC**, Grand Rapids, MI (US)

(**) Term: **14 Years**

(21) Appl. No.: **29/315,975**

(22) Filed: **Aug. 11, 2009**

Related U.S. Application Data

(62) Division of application No. 29/270,485, filed on Dec. 22, 2006.

(51) **LOC (9) Cl.** **28-03**

(52) **U.S. Cl.** **D28/66**

(58) **Field of Classification Search** D28/31, D28/56, 65-68, 73; D24/152; 433/141, 433/146-147; 132/322-329

See application file for complete search history.

(56) **References Cited**

U.S. PATENT DOCUMENTS

- 3,696,821 A * 10/1972 Adams, IV 132/324
- D227,896 S 7/1973 Chodorow
- D241,849 S 10/1976 Thomas
- 4,006,750 A 2/1977 Chodorow
- D244,376 S 5/1977 Chodorow
- D244,609 S 6/1977 Chodorow
- 4,050,470 A 9/1977 Miller
- D250,214 S 11/1978 Chodorow
- D274,375 S 6/1984 Tomlin et al.
- 4,638,824 A 1/1987 De La Hoz
- D301,071 S 5/1989 Franchi
- 4,852,728 A 8/1989 Court
- 4,926,820 A * 5/1990 Wearn 132/323
- D316,617 S 4/1991 Cheung

- D323,722 S 2/1992 Lott
- 5,224,501 A * 7/1993 McKenzie 132/323
- D348,332 S 6/1994 Haggett-King et al.
- D358,001 S 5/1995 Ramsey
- 5,435,330 A 7/1995 Dix
- 5,454,386 A 10/1995 Dix
- 5,477,871 A * 12/1995 Sanchez, Jr. 132/323
- D382,367 S 8/1997 Andrade et al.
- 5,692,531 A 12/1997 Chodorow
- D398,076 S 9/1998 Hafkin
- D401,701 S 11/1998 Chodorow
- 5,829,458 A 11/1998 Chodorow
- D406,395 S 3/1999 Marin
- D410,115 S 5/1999 Chodorow
- 6,065,479 A 5/2000 Chodorow
- 6,397,853 B1 * 6/2002 Lovick 132/76.4
- D484,643 S 12/2003 Nanda
- D489,490 S 5/2004 Chodorow
- D531,758 S 11/2006 Jansheski et al.

* cited by examiner

Primary Examiner—Janice E Seeger

Assistant Examiner—Zenia I Bennett

(74) *Attorney, Agent, or Firm*—Abelman, Frayne & Schwab

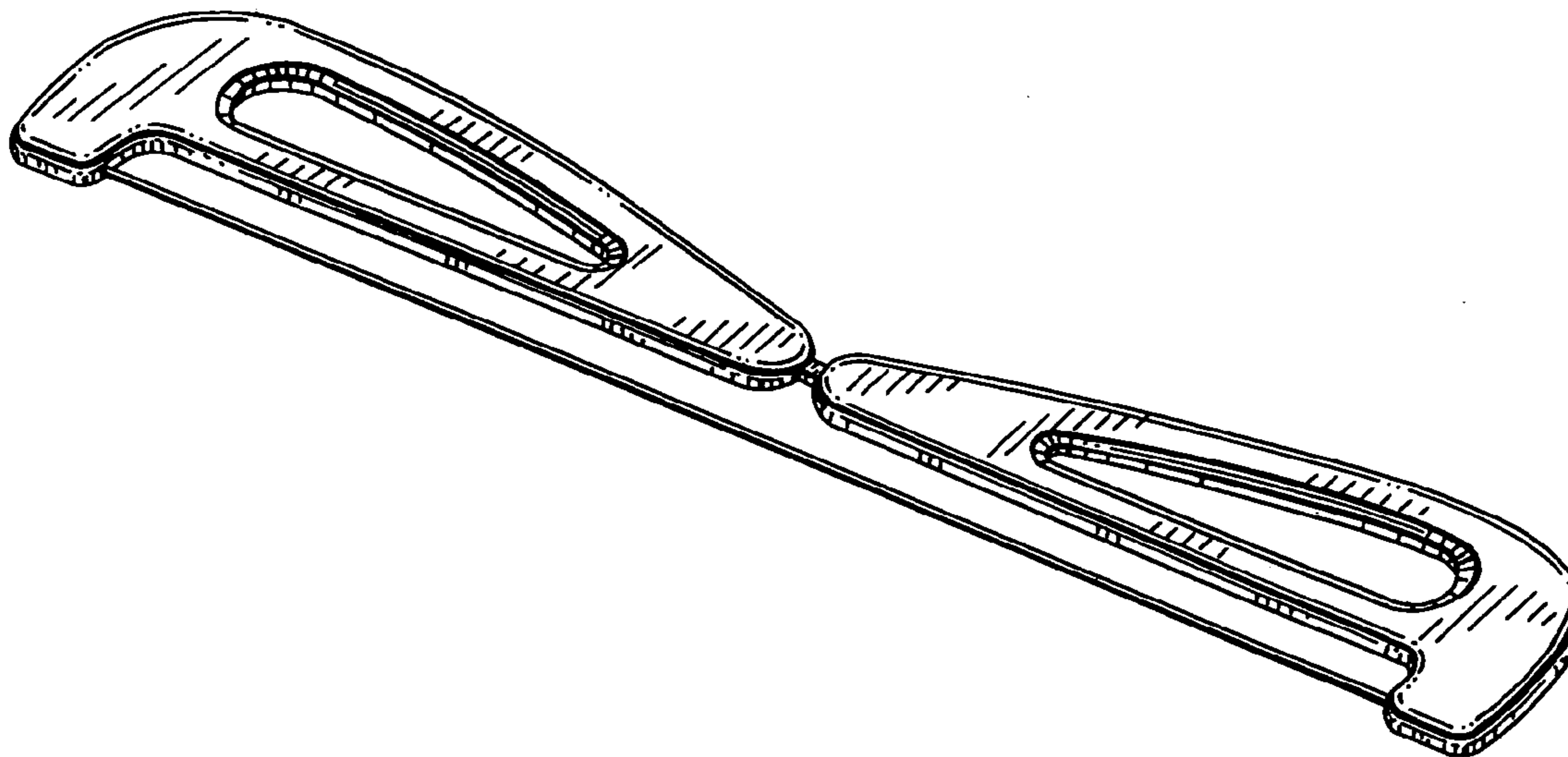
(57) **CLAIM**

The ornamental design for a dental flosser, as shown and described.

DESCRIPTION

FIG. 1 is a bottom perspective view of my new dental flosser, FIG. 2 is a top perspective view thereof, FIG. 3 is a top plan view thereof, FIG. 4 is a right side elevation view thereof, FIG. 5 is a left side elevation view thereof; and, FIG. 6 is a rear end elevation view thereof, the front end elevation view is the mirror image of the rear end elevation view.

1 Claim, 2 Drawing Sheets



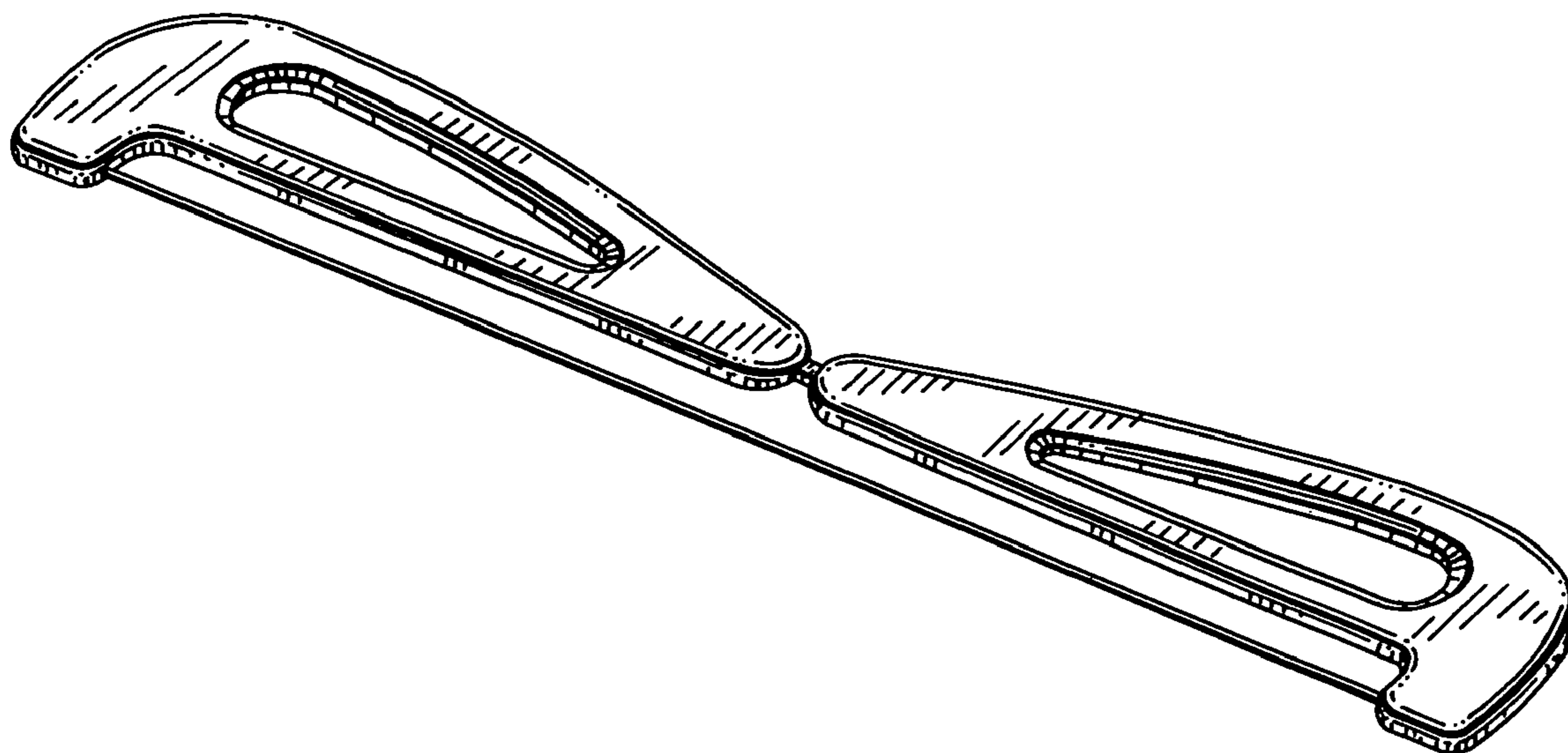


FIG. 1

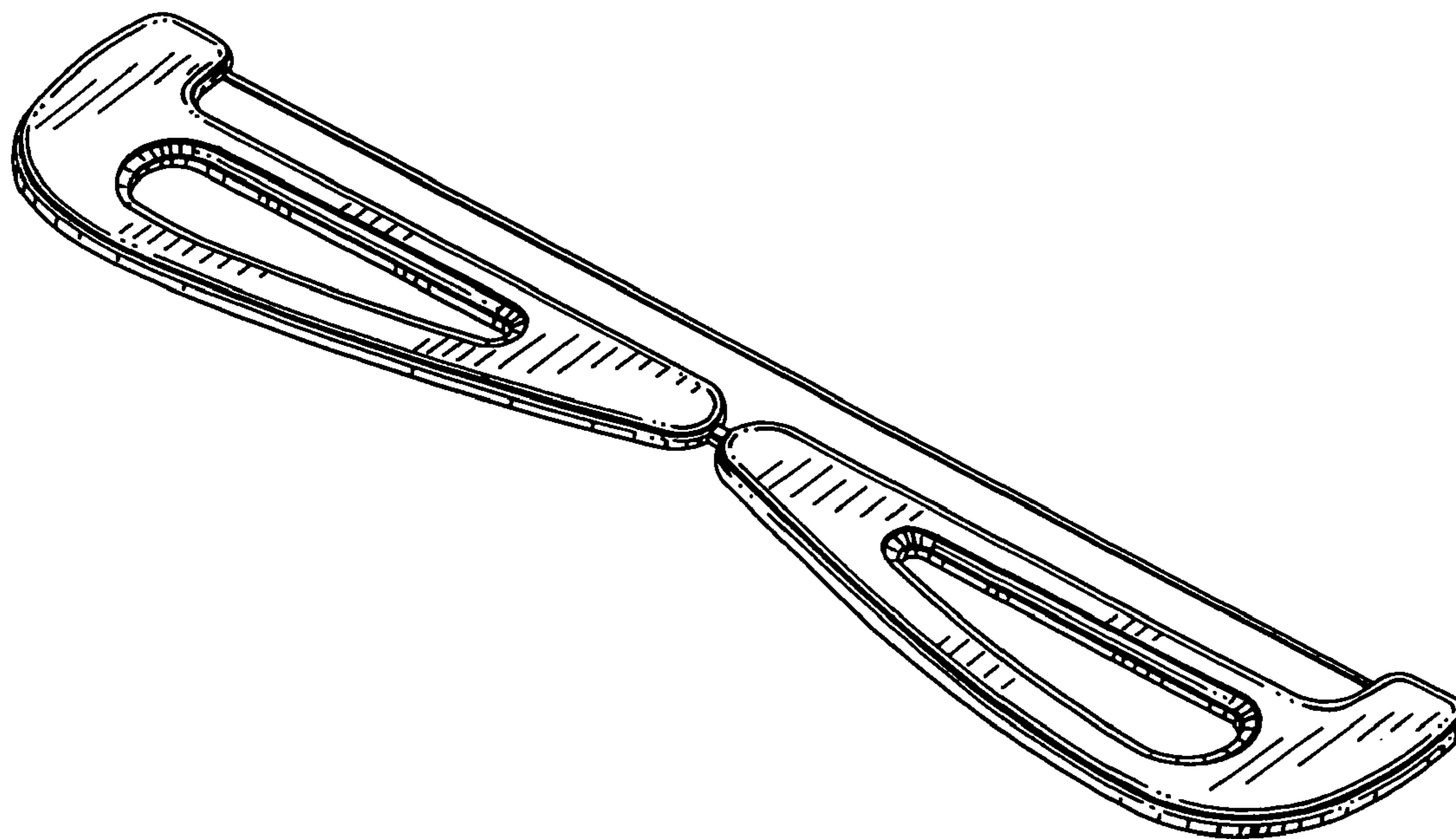


FIG. 2

FIG. 4



FIG. 6



FIG. 3

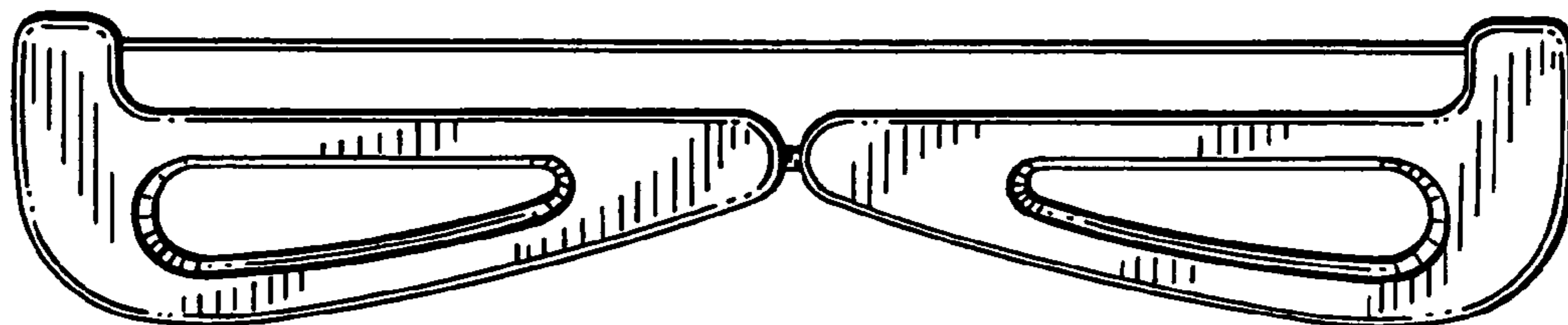


FIG. 5

