



US00D607151S

(12) **United States Design Patent**
Kling et al.

(10) **Patent No.:** **US D607,151 S**
(45) **Date of Patent:** **** Dec. 29, 2009**

(54) **RAZOR ATTACHMENT**

(75) Inventors: **Bjoern Kling**, Glashuetten (DE);
Markus Orthey, Mainz (DE);
Kristopher William Schulz,
Framingham, MA (US)

(73) Assignee: **The Gillette Company**, Boston, MA
(US)

(**) Term: **14 Years**

(21) Appl. No.: **29/327,611**

(22) Filed: **Nov. 10, 2008**

(51) **LOC (9) Cl.** **28-03**

(52) **U.S. Cl.** **D28/48**

(58) **Field of Classification Search** 30/32,
30/34.05, 34.1, 34.2, 41-41.8, 44-45, 47-51,
30/53-58, 526-533, 537; D28/44.1-48
See application file for complete search history.

(56) **References Cited**

U.S. PATENT DOCUMENTS

D426,918 S * 6/2000 Greene D28/48
D431,095 S * 9/2000 Hyman D28/45
6,112,421 A * 9/2000 Greene 30/526
D446,351 S * 8/2001 Greene D28/46

D475,806 S * 6/2003 Yang D28/47
D481,169 S * 10/2003 Cheung D28/44
D512,795 S * 12/2005 Carpenter D28/45
2004/0181954 A1 * 9/2004 Follo et al. 30/527

* cited by examiner

Primary Examiner—Jennifer Rivard

(74) *Attorney, Agent, or Firm*—Dara M. Kendall

(57) **CLAIM**

The ornamental design for a razor attachment, as shown and described.

DESCRIPTION

FIG. 1 is a perspective view of a razor attachment of the present invention;

FIG. 2 is a top plan view thereof;

FIG. 3 is a right side elevational view thereof, the left side elevation being a mirror image thereof;

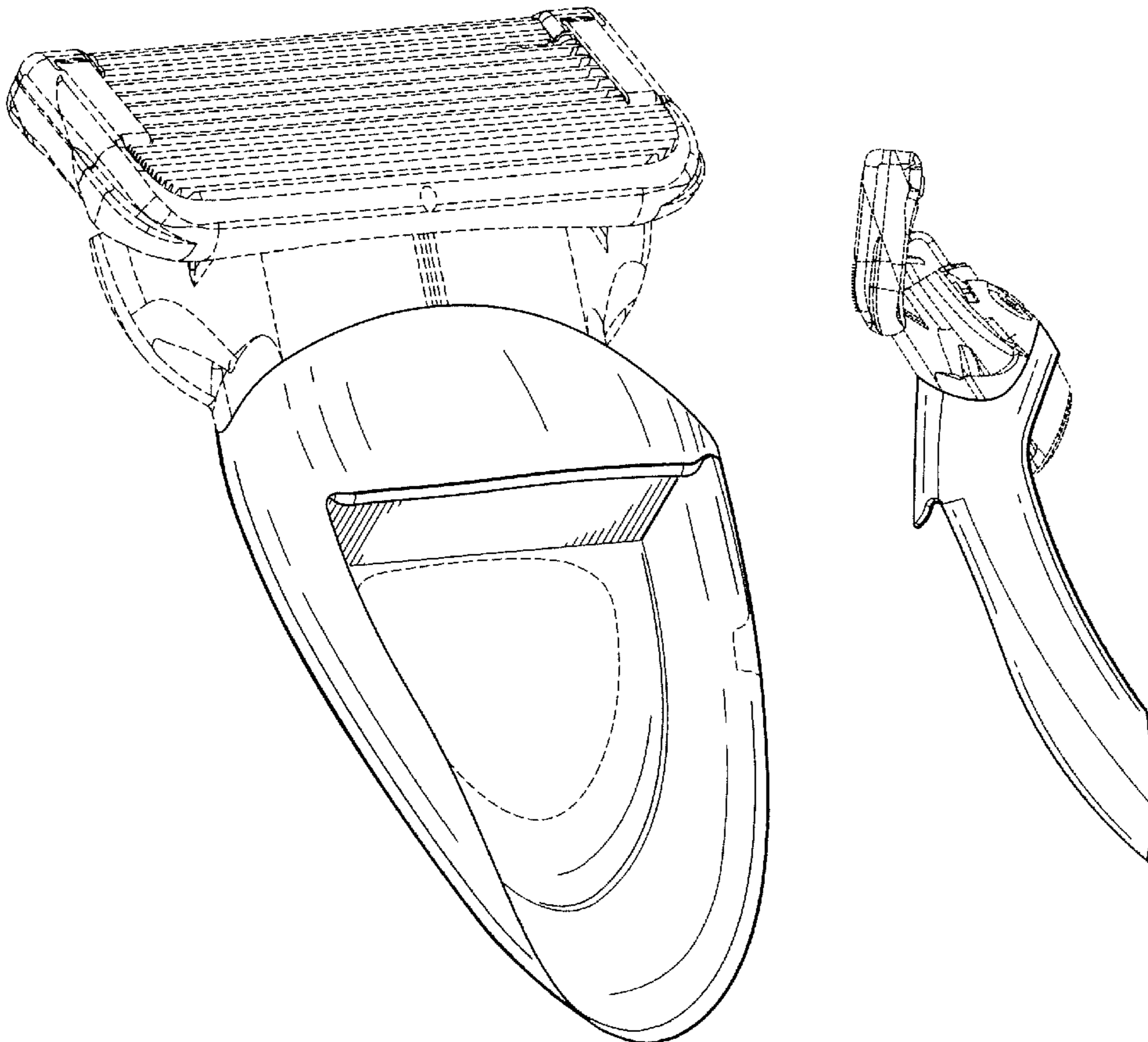
FIG. 4 is a bottom plan view thereof;

FIG. 5 is a front elevational view thereof; and,

FIG. 6 is a rear elevational view thereof.

The broken lines are shown for illustrative purposes only and form no part of the claimed design.

1 Claim, 3 Drawing Sheets



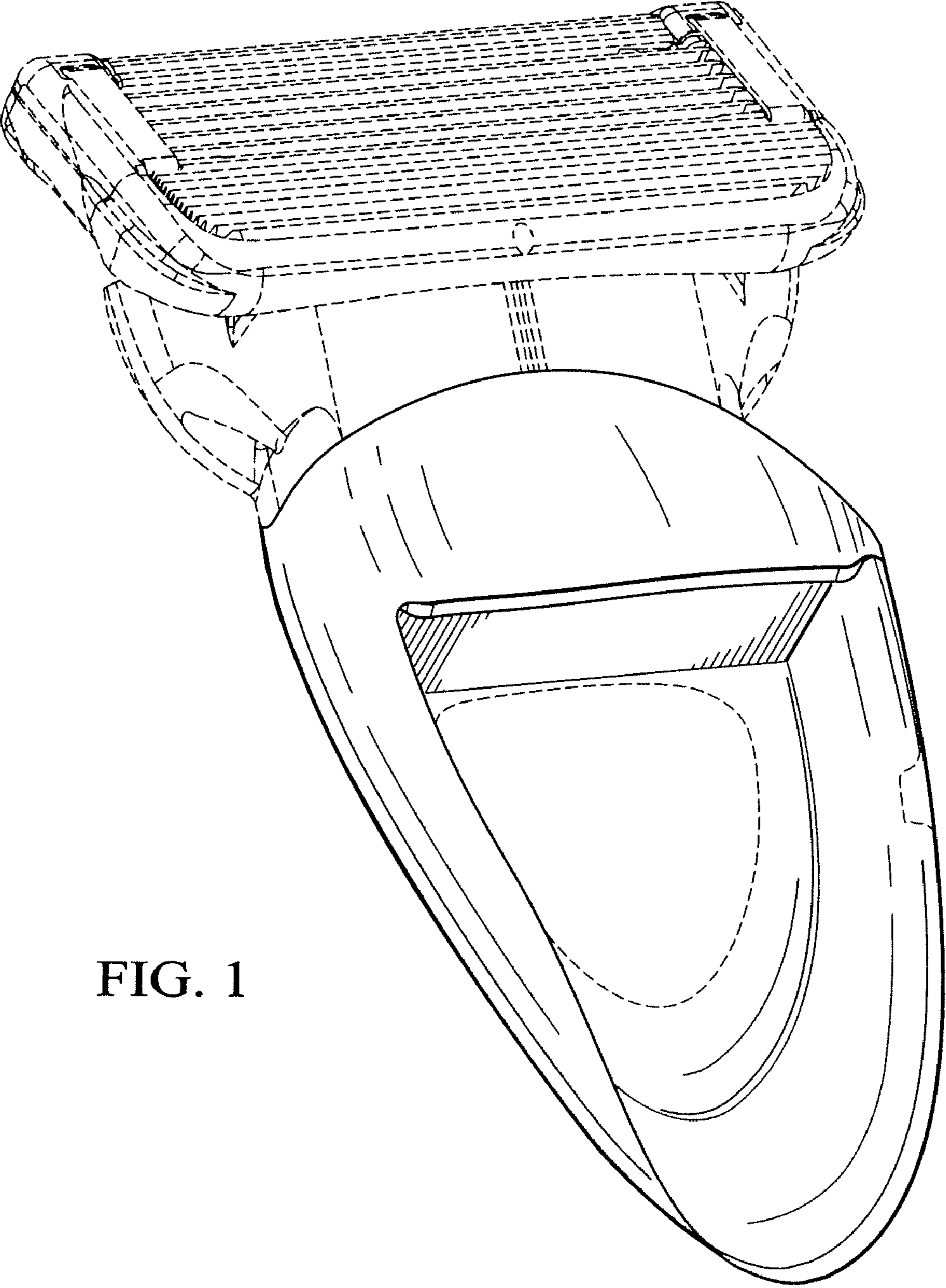


FIG. 1

FIG. 2

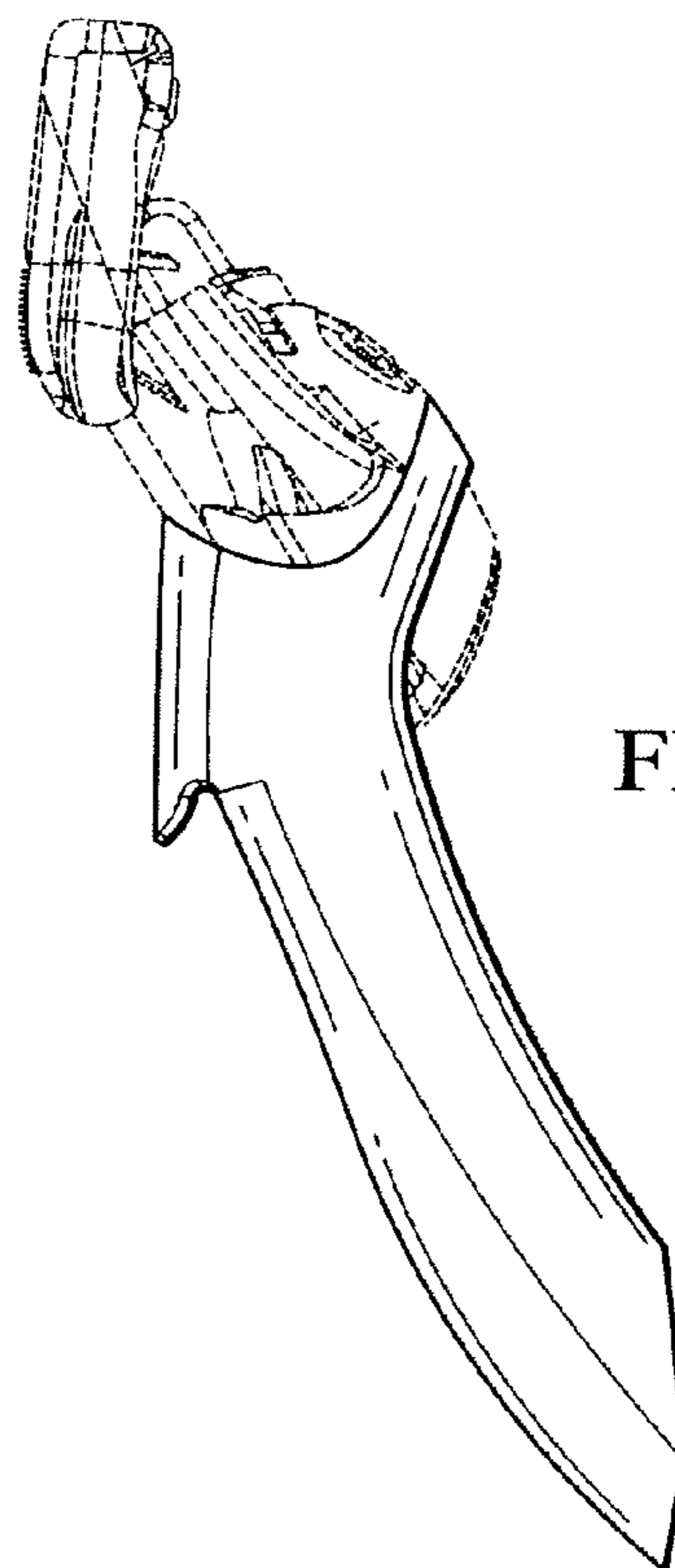
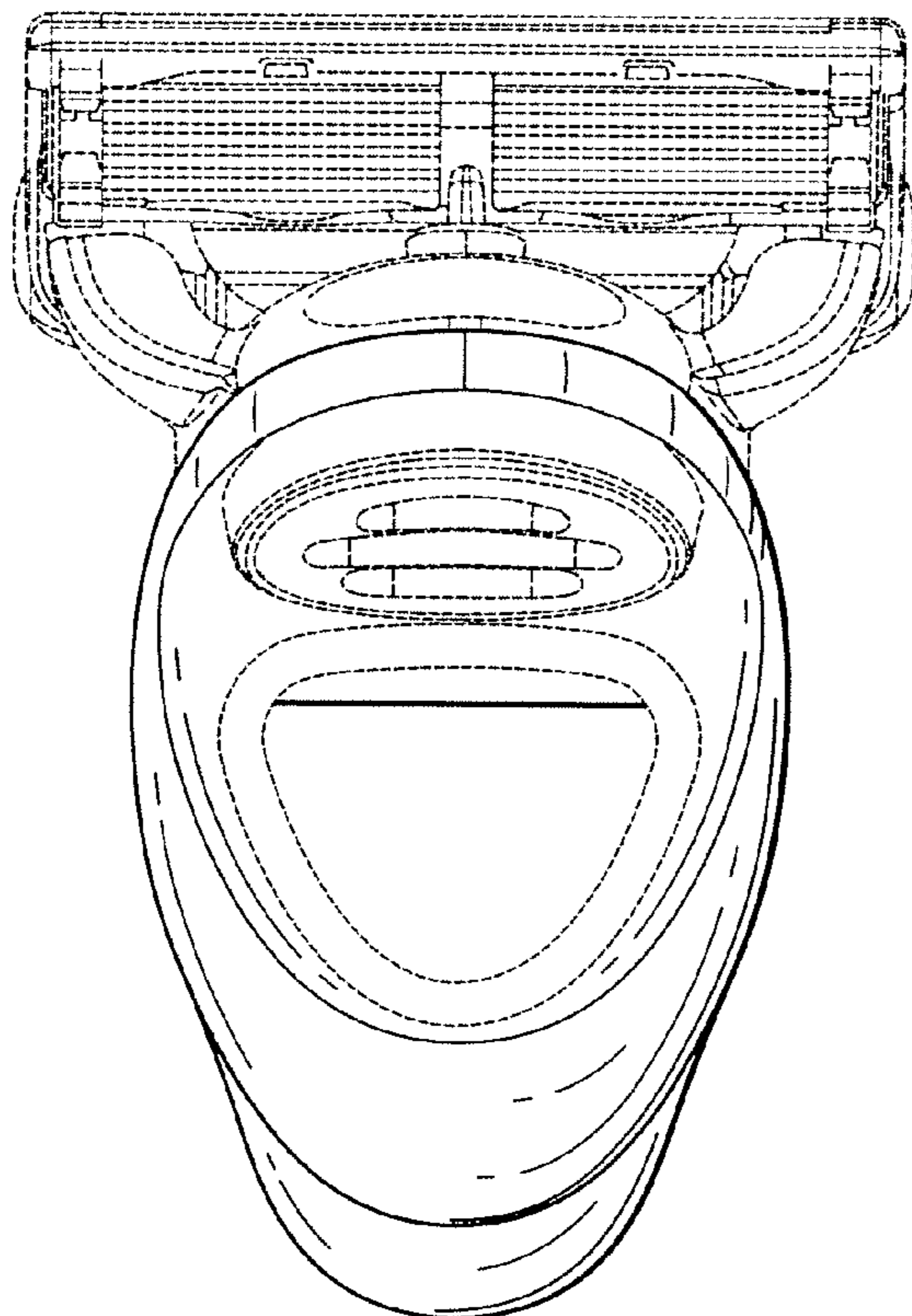


FIG. 3

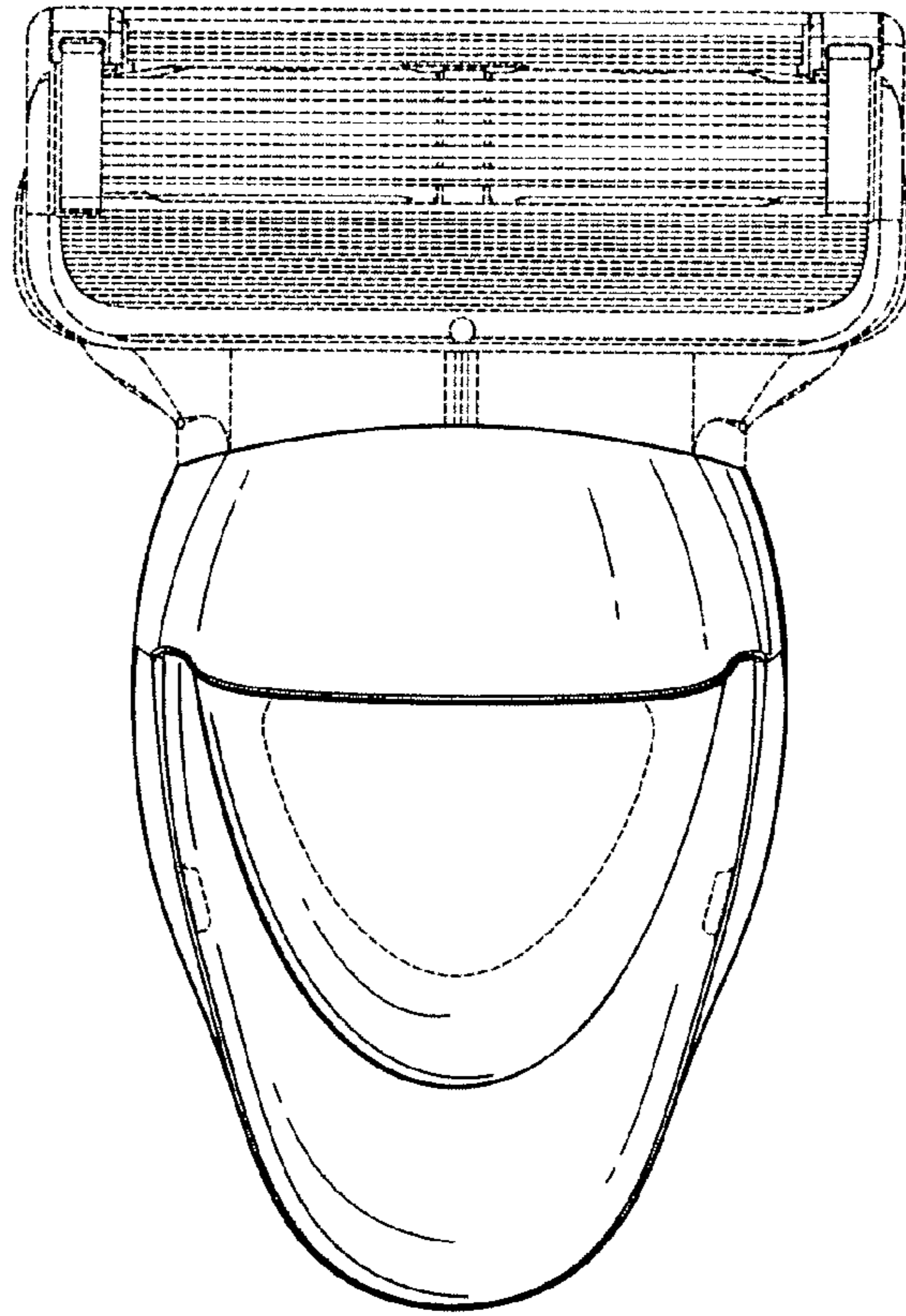


FIG. 4

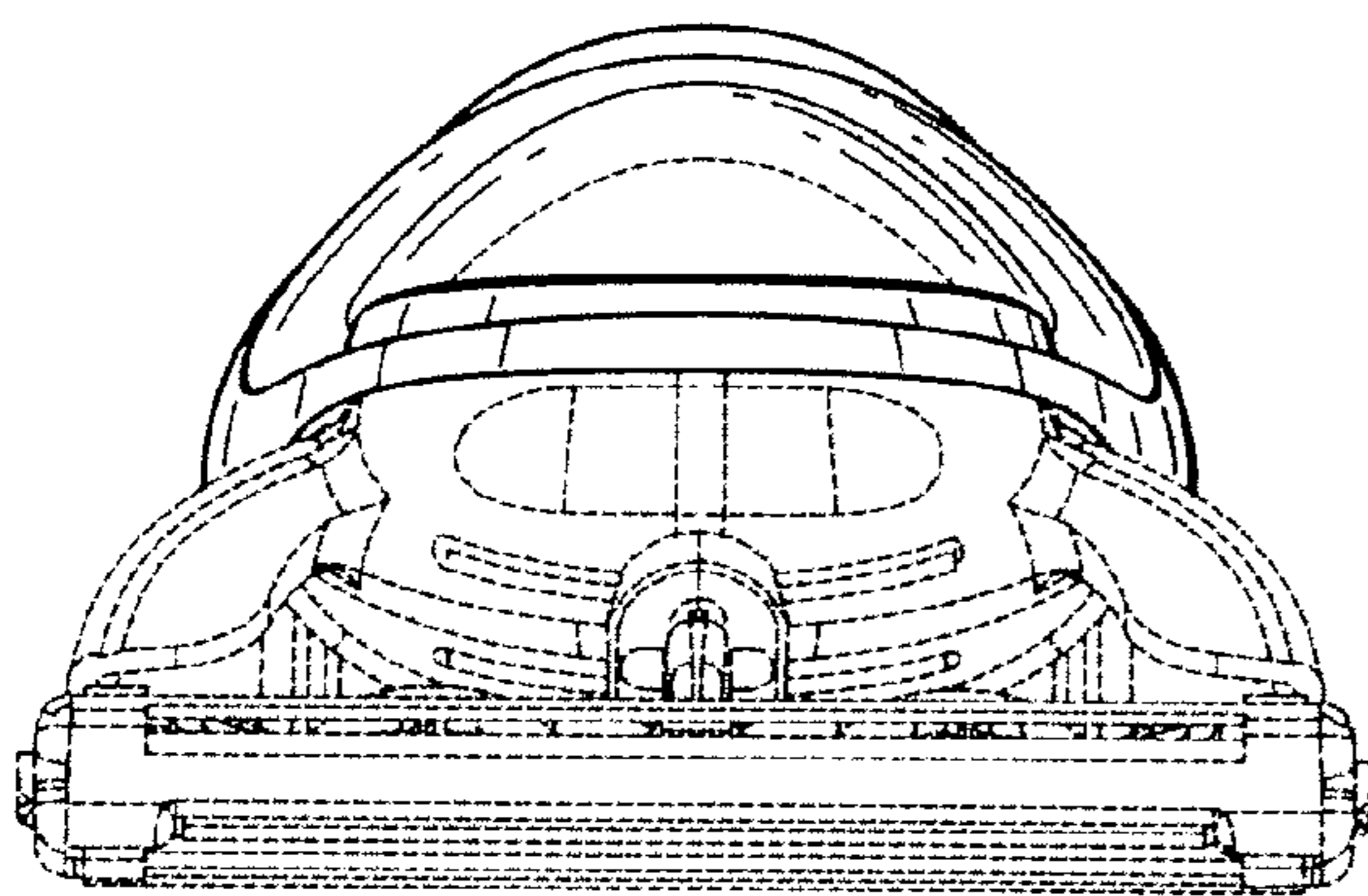


FIG. 5

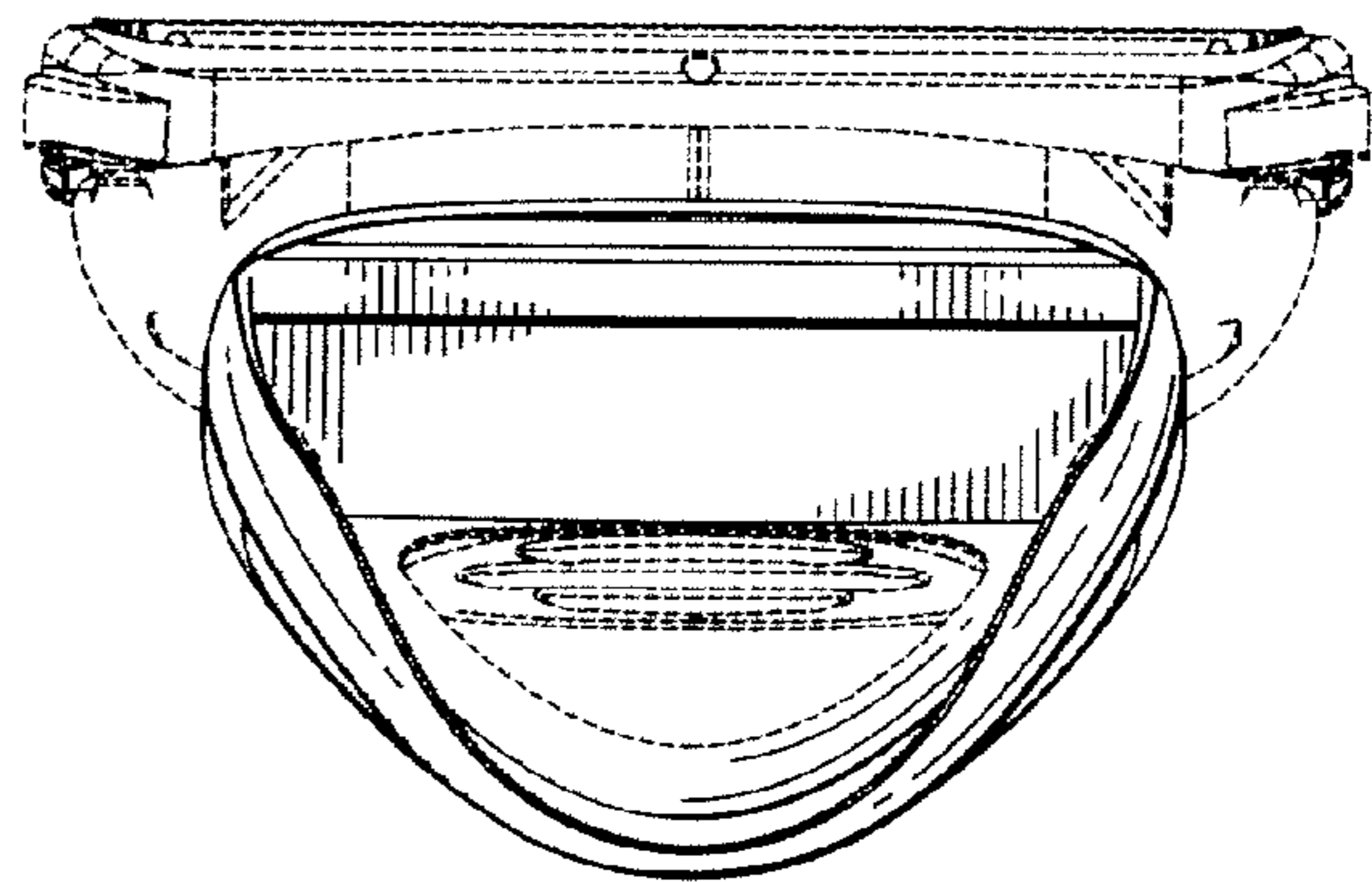


FIG. 6