



US00D607148S

(12) **United States Design Patent**
Sugawara

(10) **Patent No.:** **US D607,148 S**
(45) **Date of Patent:** **** Dec. 29, 2009**

(54) **EYELASH CURLER**

(75) Inventor: **Akira Sugawara**, Gifu-ken (JP)

(73) Assignee: **Kai R&D Center Co., Ltd.** (JP)

(**) Term: **14 Years**

(21) Appl. No.: **29/339,970**

(22) Filed: **Jul. 10, 2009**

(30) **Foreign Application Priority Data**

Jan. 15, 2009 (JP) 2009-000676

(51) **LOC (9) Cl.** **28-03**

(52) **U.S. Cl.** **D28/36**

(58) **Field of Classification Search** D28/35-36;
132/216-217

See application file for complete search history.

(56) **References Cited**

U.S. PATENT DOCUMENTS

D450,156 S * 11/2001 Watanabe et al. D28/36
D492,066 S * 6/2004 Cho D28/36
D501,580 S * 2/2005 Sugawara D28/36
D580,098 S * 11/2008 Zhang D28/36
D581,096 S * 11/2008 Zhang D28/36

FOREIGN PATENT DOCUMENTS

JP D1074606 6/2000
JP D1091066 11/2000
JP D1093217 12/2000
JP D1094249 12/2000
JP D1110651 6/2001
JP 2002-159322 6/2002
JP D1173189 5/2003

JP D1174276 6/2003
JP D1188625 10/2003
JP D1188627 10/2003
JP D1251880 9/2005
JP D1254299 10/2005
JP D1258741 12/2005
JP D1283716 10/2006
JP D1283717 10/2006
JP D1309077 9/2007
JP D1309078 9/2007
JP 4144002 9/2008

* cited by examiner

Primary Examiner—Jennifer Rivard

(74) *Attorney, Agent, or Firm*—Boyle Fredrickson, S.C.

(57) **CLAIM**

The ornamental design for an eyelash curler, as shown and described.

DESCRIPTION

FIG. 1 is a top front perspective view of an eyelash curler showing my new design;

FIG. 2 is a bottom front perspective view thereof;

FIG. 3 is a front elevational view thereof;

FIG. 4 is a rear elevational view thereof;

FIG. 5 is a top plan view thereof;

FIG. 6 is a bottom plan view thereof;

FIG. 7 is a right side elevational view thereof; and,

FIG. 8 is a left side elevational view thereof.

The broken lines are for illustrative purposes only and form no part of the claimed design. The dot-dashed lines define the boundary of the claimed design but form no part thereof.

1 Claim, 6 Drawing Sheets

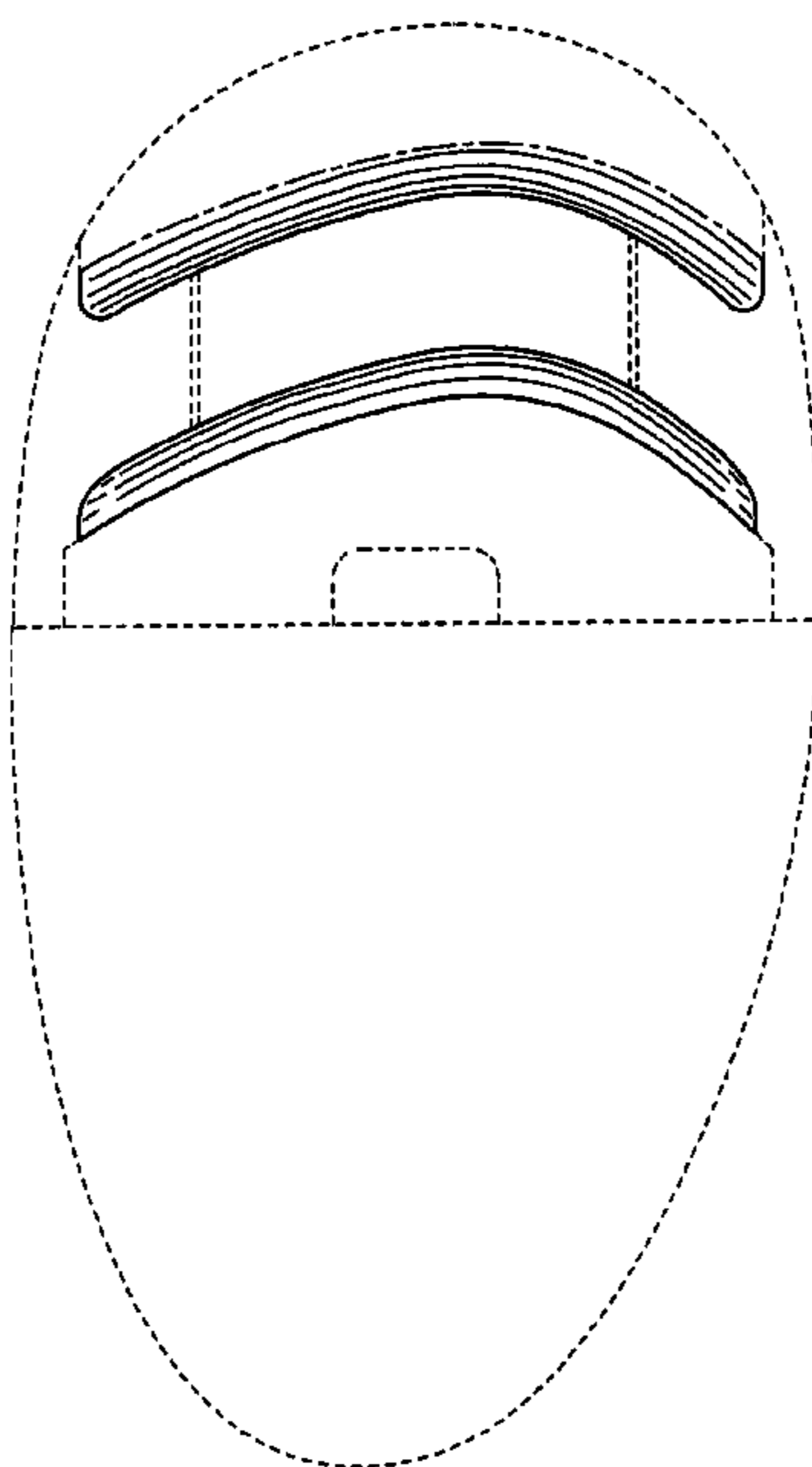


FIG. 1

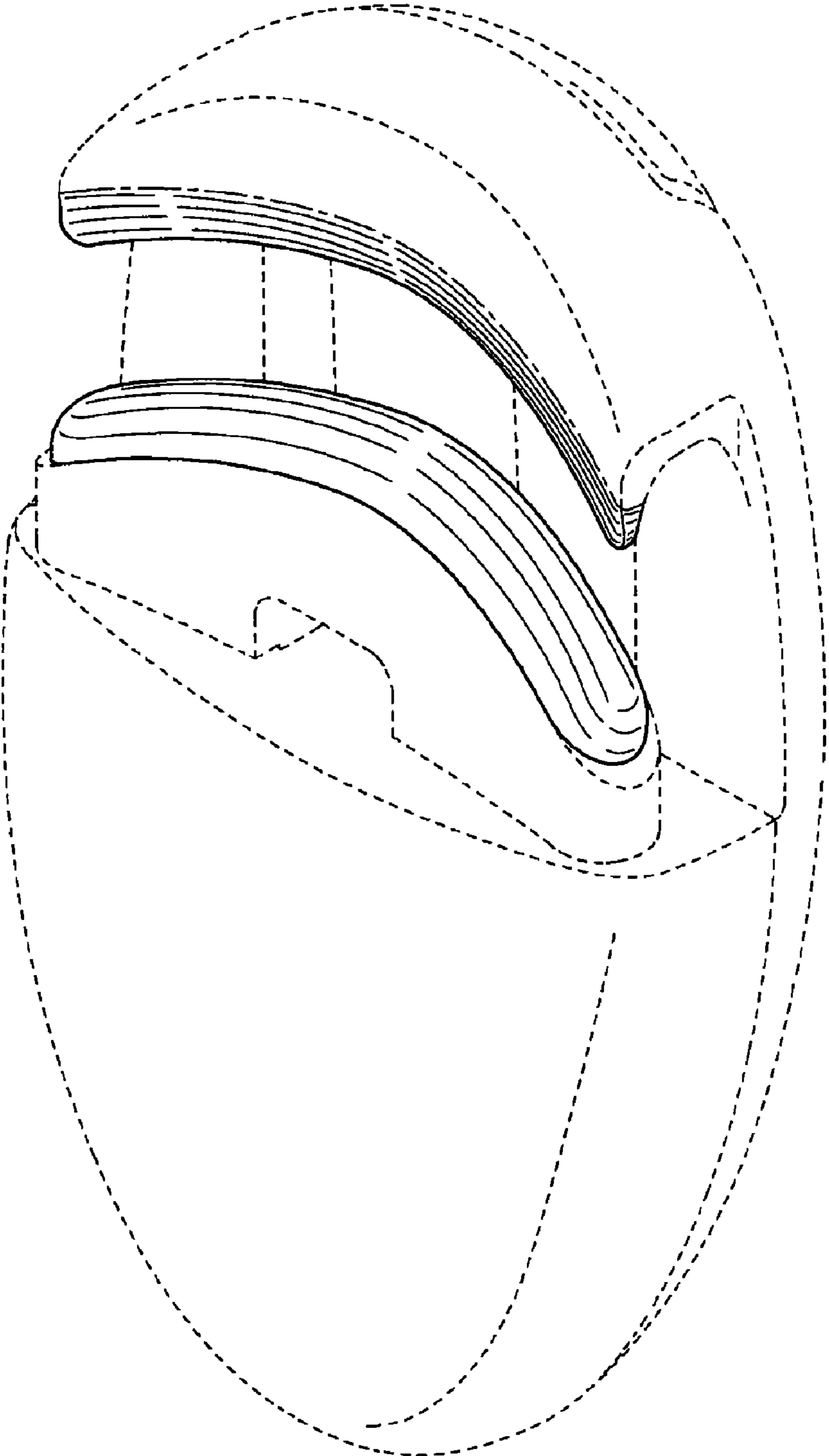


FIG. 2

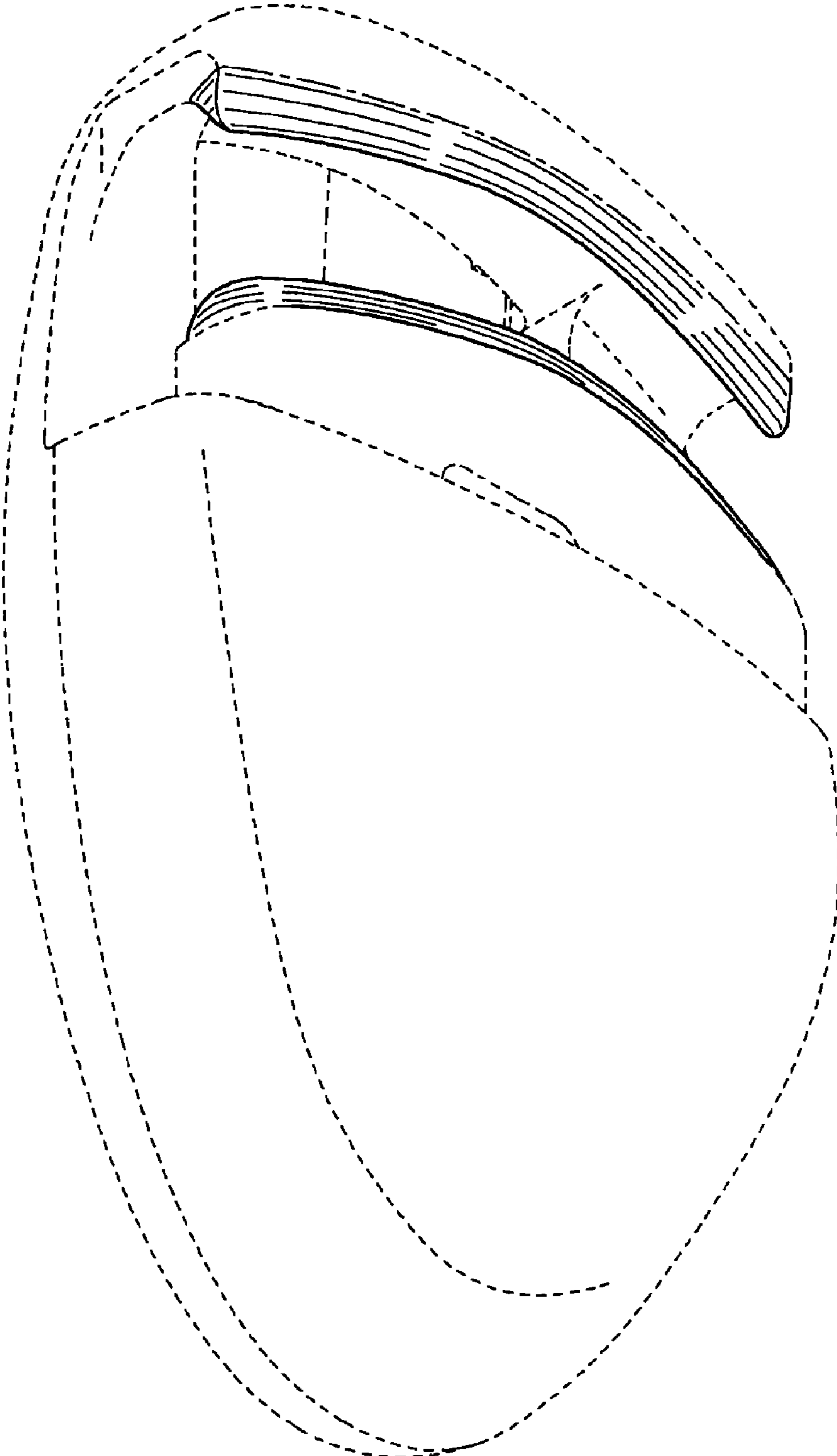


FIG. 3

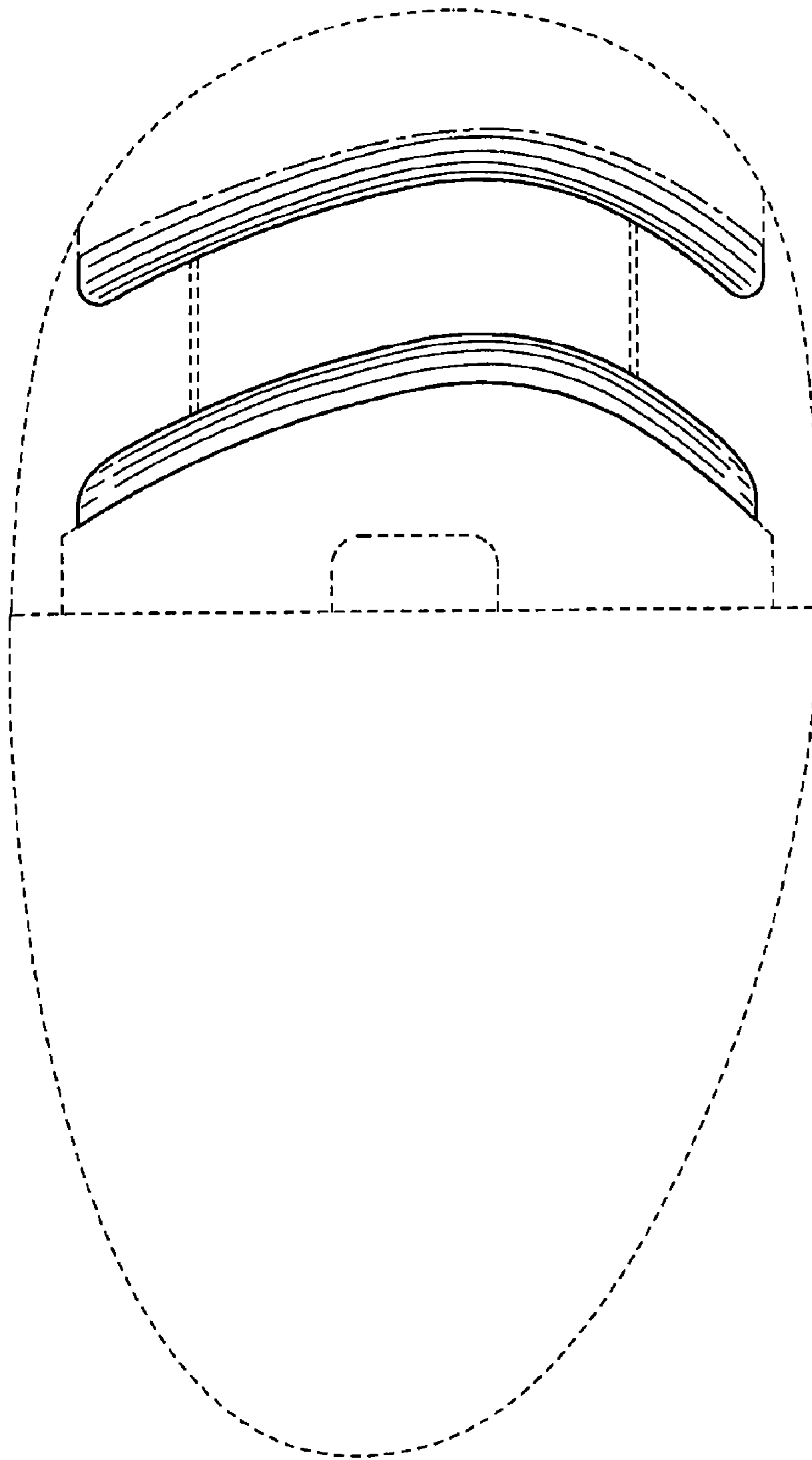


FIG. 4

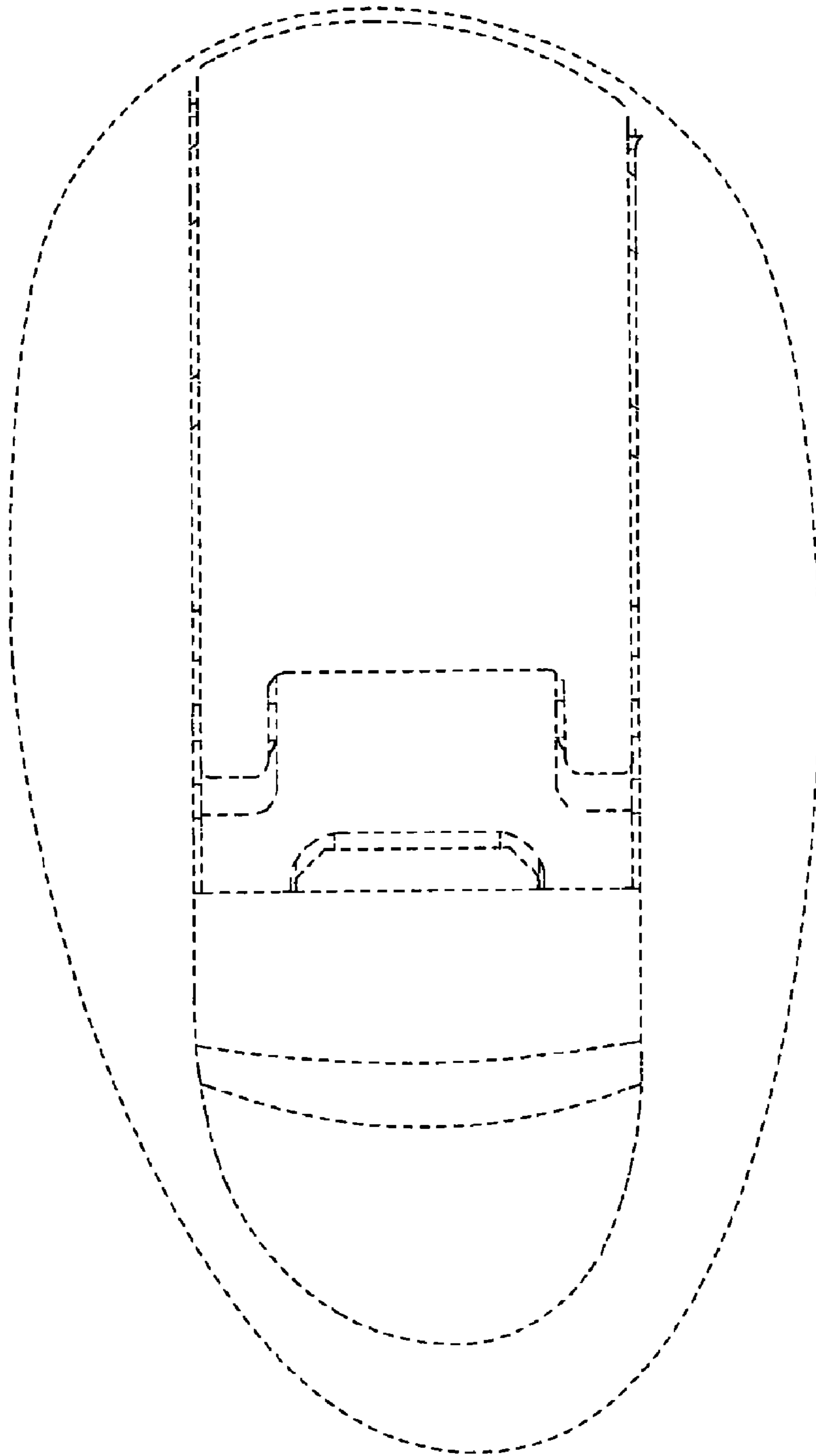


FIG. 5

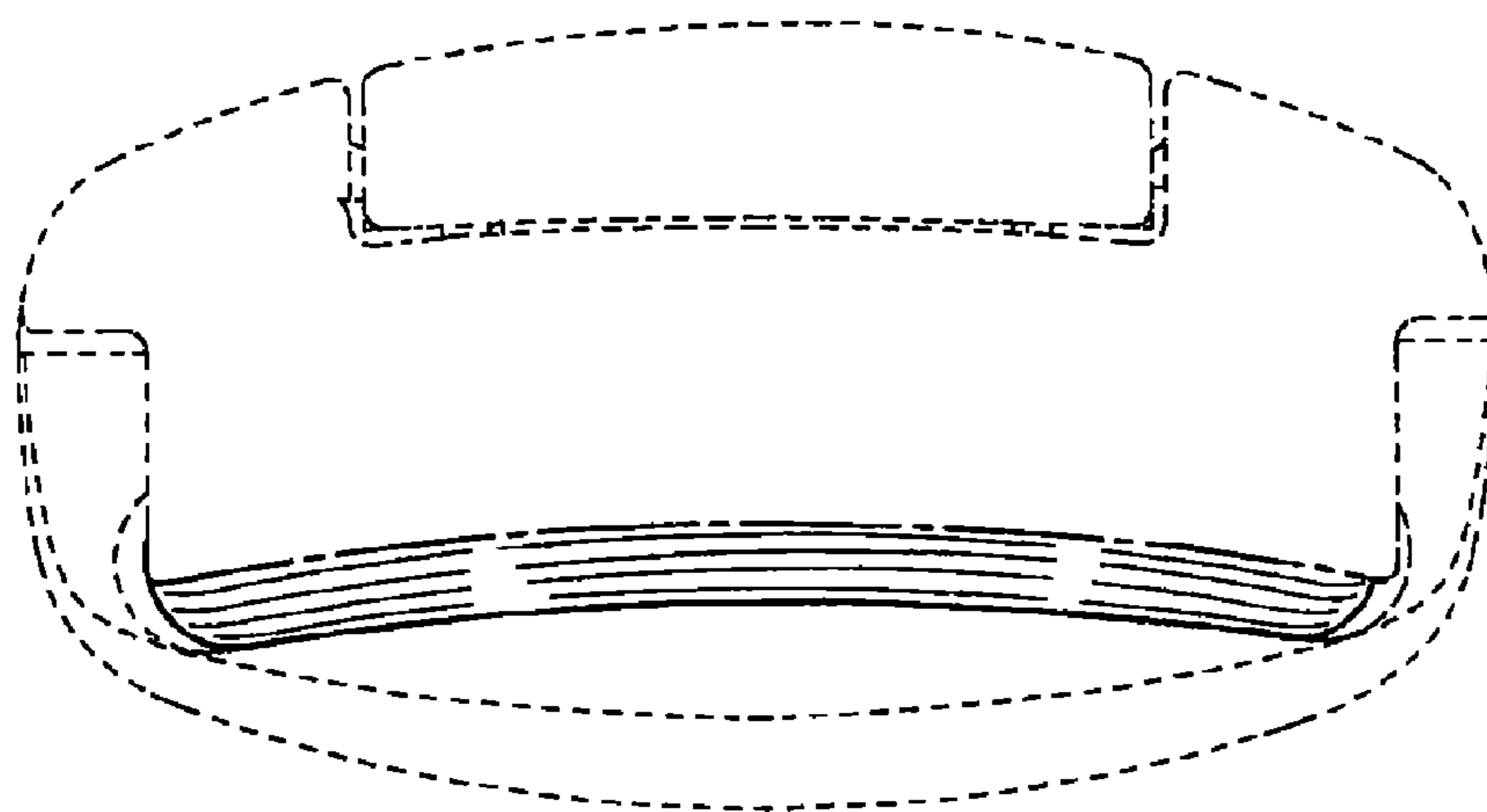


FIG. 6

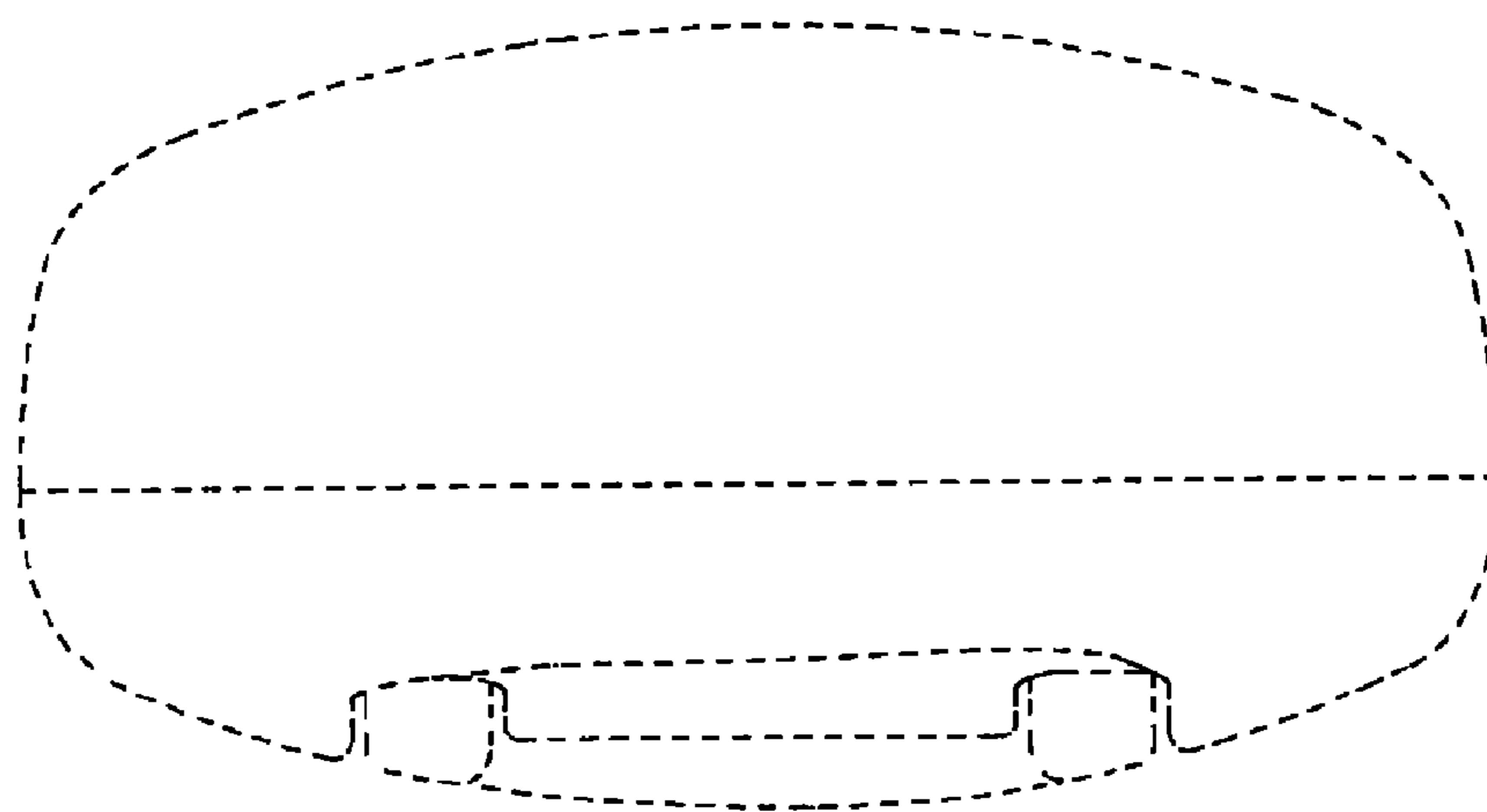


FIG. 7

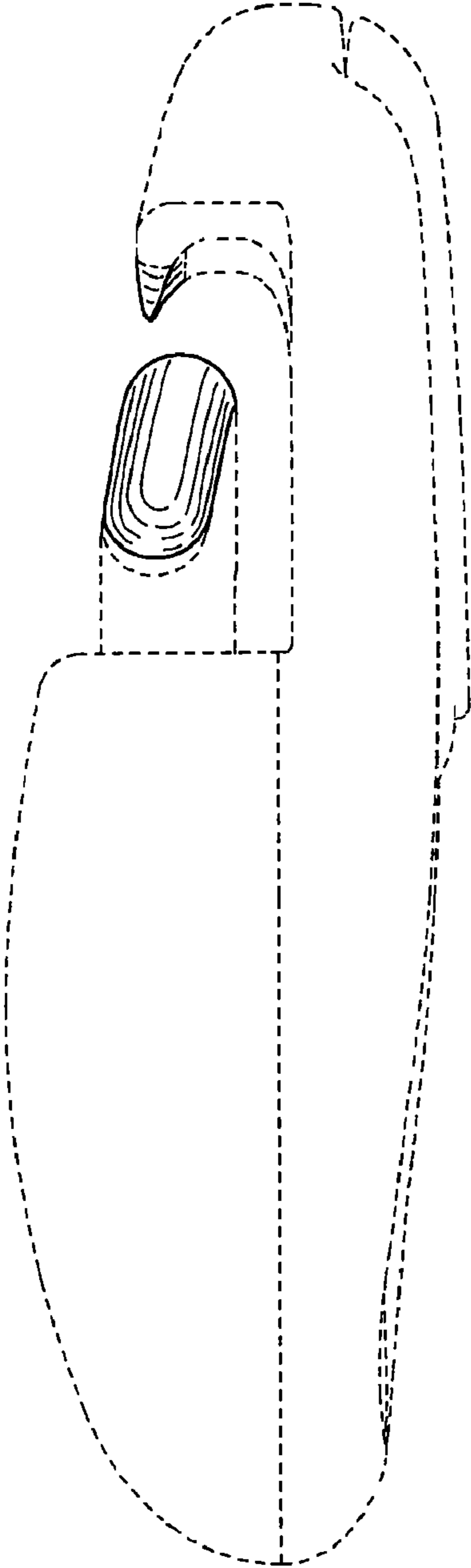


FIG. 8

