



US00D607145S

(12) **United States Design Patent**
Yu

(10) **Patent No.:** **US D607,145 S**

(45) **Date of Patent:** **** *Dec. 29, 2009**

(54) **LIGHT REFLECTOR AND SUPPORT**

7,018,072 B2 * 3/2006 Mier-Langner et al. 362/285
7,063,451 B2 * 6/2006 Shen 362/648

(75) Inventor: **Scott S. Yu**, San Francisco, CA (US)

(73) Assignee: **Vode Lighting, LLC**, Sonoma, CA (US)

(**) Term: **14 Years**

(21) Appl. No.: **29/289,868**

(22) Filed: **Aug. 3, 2007**

(51) **LOC (9) Cl.** **26-99**

(52) **U.S. Cl.** **D26/140**

(58) **Field of Classification Search** D26/75,
D26/76, 77, 78, 85, 63, 24, 60, 61, 64, 66,
D26/72, 92, 113, 118, 120, 121, 122, 128,
D26/138, 140, 141, 142, 145, 152, 155; D12/223;
362/219, 217, 250, 418, 147, 220, 221, 222,
362/225, 455, 648, 232, 269, 270, 277, 432,
362/282, 285, 287, 319, 419, 430, 330, 346,
362/368, 370, 371

See application file for complete search history.

(56) **References Cited**

U.S. PATENT DOCUMENTS

3,686,495	A *	8/1972	Medley	362/223
4,143,413	A *	3/1979	Kelly	362/418
D258,009	S *	1/1981	Wotowiec et al.	D26/75
4,276,579	A *	6/1981	Yako	362/5
4,602,320	A *	7/1986	Tomkin et al.	362/503
4,682,273	A *	7/1987	Taniguchi et al.	362/18
4,991,063	A *	2/1991	Stoneham	362/18
5,217,296	A *	6/1993	Tanner et al.	362/183
5,303,127	A *	4/1994	Kosann	362/296
5,486,886	A *	1/1996	Vaynshteyn	396/175
5,713,662	A *	2/1998	Kira	362/427
5,727,869	A *	3/1998	Crosby et al.	362/217
5,887,969	A *	3/1999	Gordin	362/347
D411,027	S *	6/1999	Herst et al.	D26/79
D468,473	S *	1/2003	Shemitz et al.	D26/76
D476,441	S *	6/2003	Mier-Langner et al.	D26/140

OTHER PUBLICATIONS

U.S. Appl. No. 11/890,064, Warton, et al.
U.S. Appl. No. 11/890,061, Warton et al.
U.S. Appl. No. 11/890,065, Warton et al.
U.S. Appl. No. 11/890,062, Warton et al.
U.S. Appl. No. 29/289,743, Yu, S.
U.S. Appl. No. 29/289,744, Yu, S.
U.S. Appl. No. 29/289,761, Yu, S.

* cited by examiner

Primary Examiner—Cathron C Brooks

Assistant Examiner—Kevin K Rudzinski

(74) *Attorney, Agent, or Firm*—Peter Tormey

(57) **CLAIM**

The ornamental design for a light reflector and support, as shown and described.

DESCRIPTION

FIG. 1 is a front perspective view, with the design shown broken away to indicate no specific length.

FIG. 2 is a right side view thereof,

FIG. 3 is a top view thereof, with the design shown broken away to indicate no specific length.

FIG. 4 is a front view thereof, with the design shown broken away to indicate no specific length.

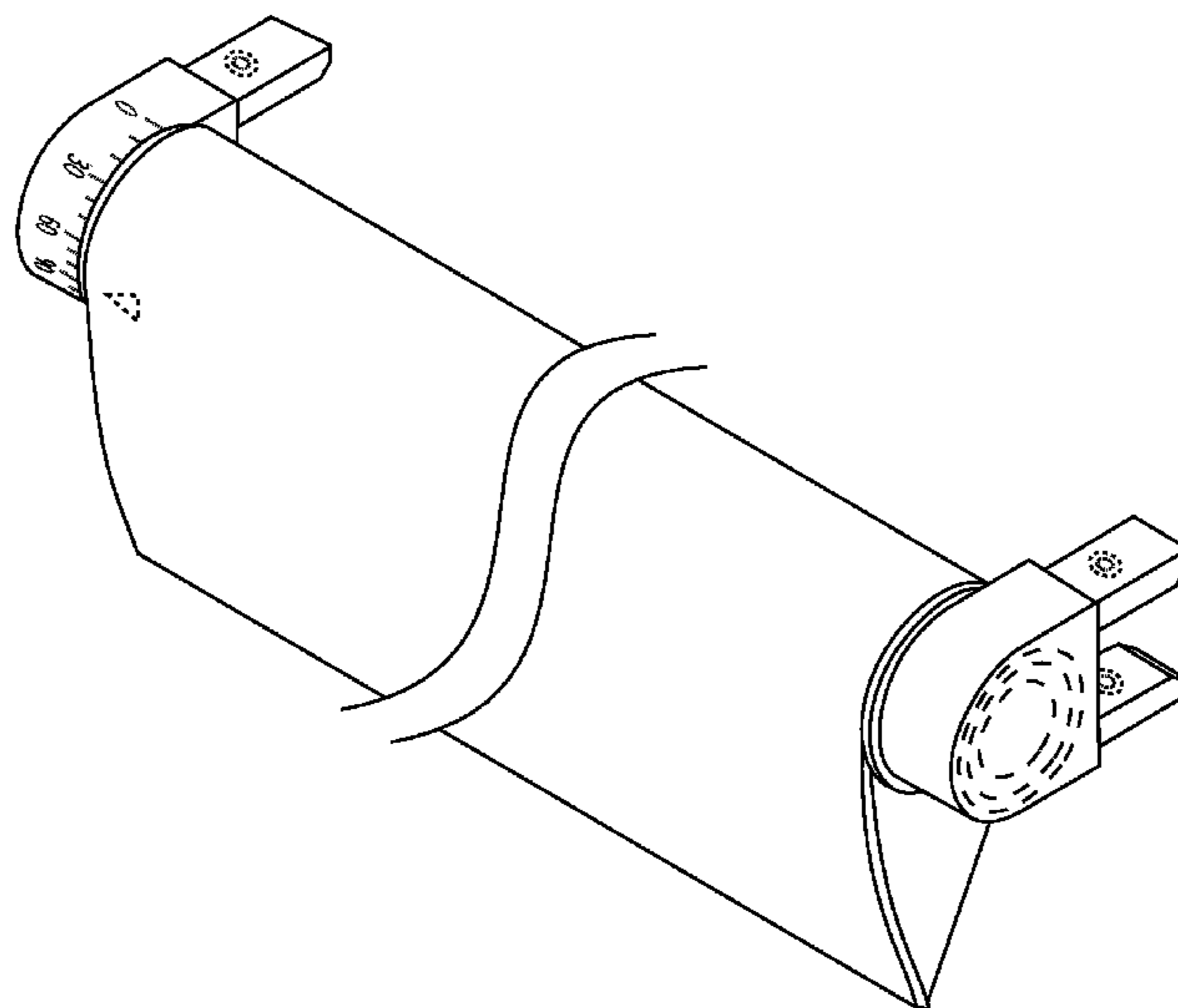
FIG. 5 is a bottom view thereof, with the design shown broken away to indicate no specific length.

FIG. 6 is a rear view thereof, with the design shown broken away to indicate no specific length; and,

FIG. 7 is left side view thereof.

The broken lines shown in the drawings are included for the purpose of illustrating environmental structure and form no part of the claimed design.

1 Claim, 7 Drawing Sheets



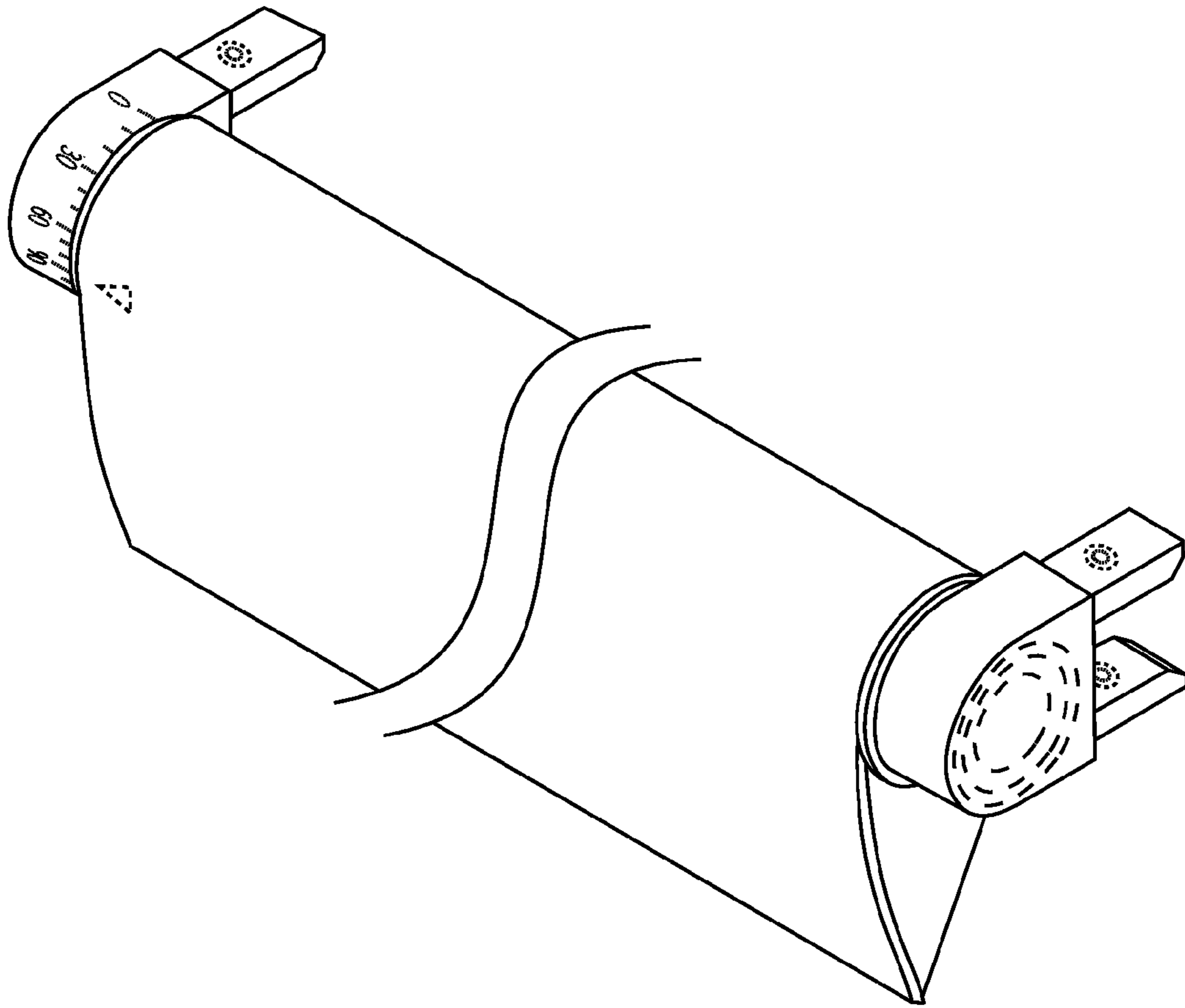


Figure 1

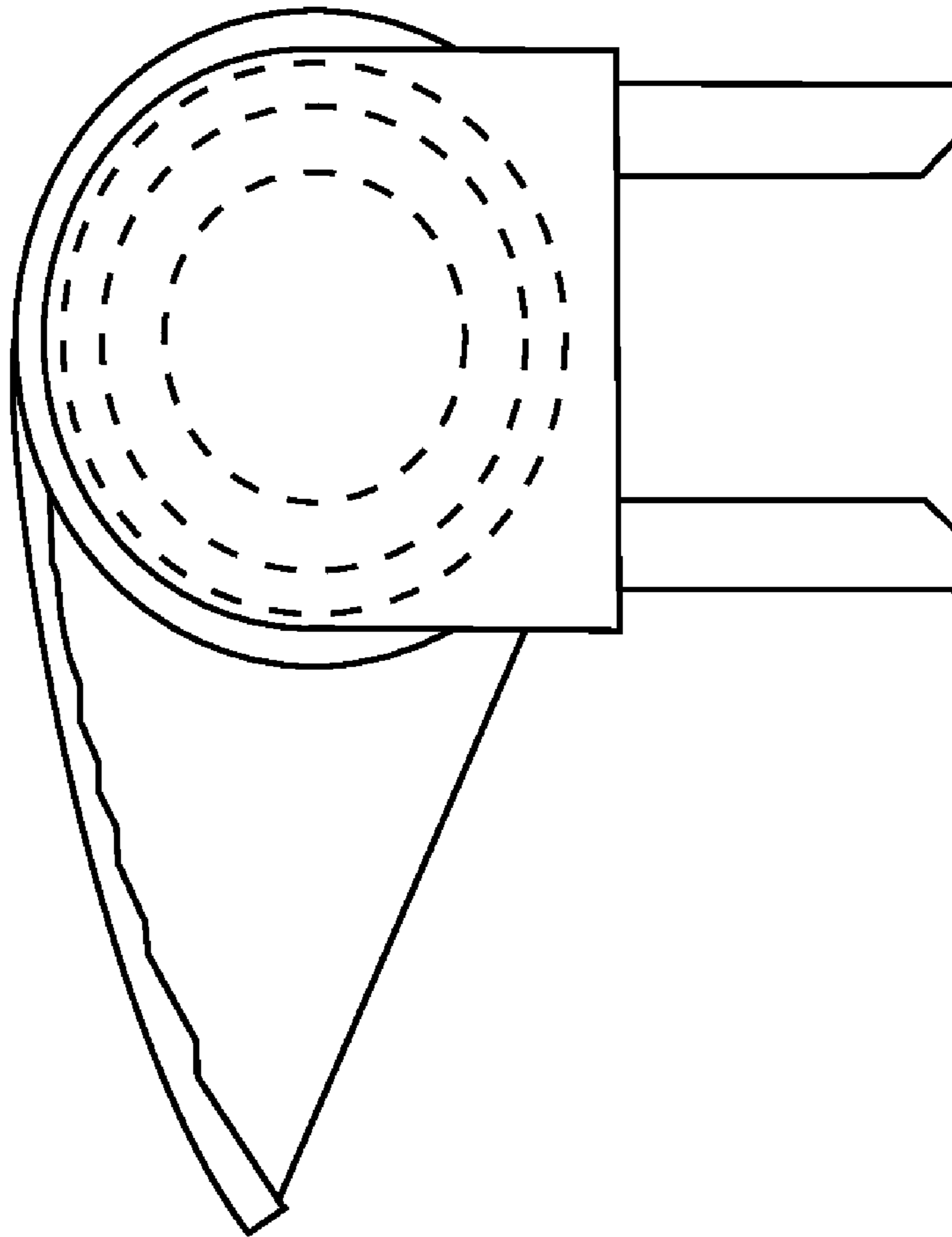


Figure 2

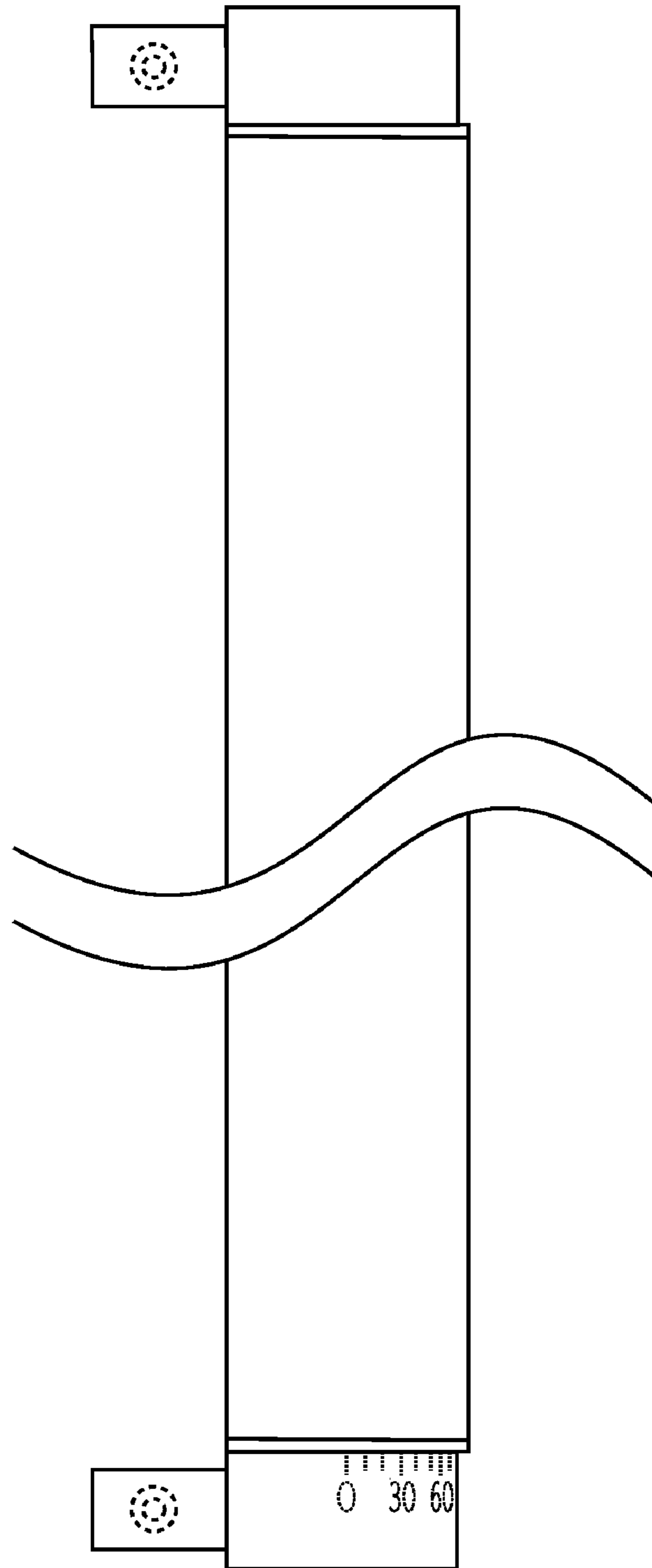


Figure 3

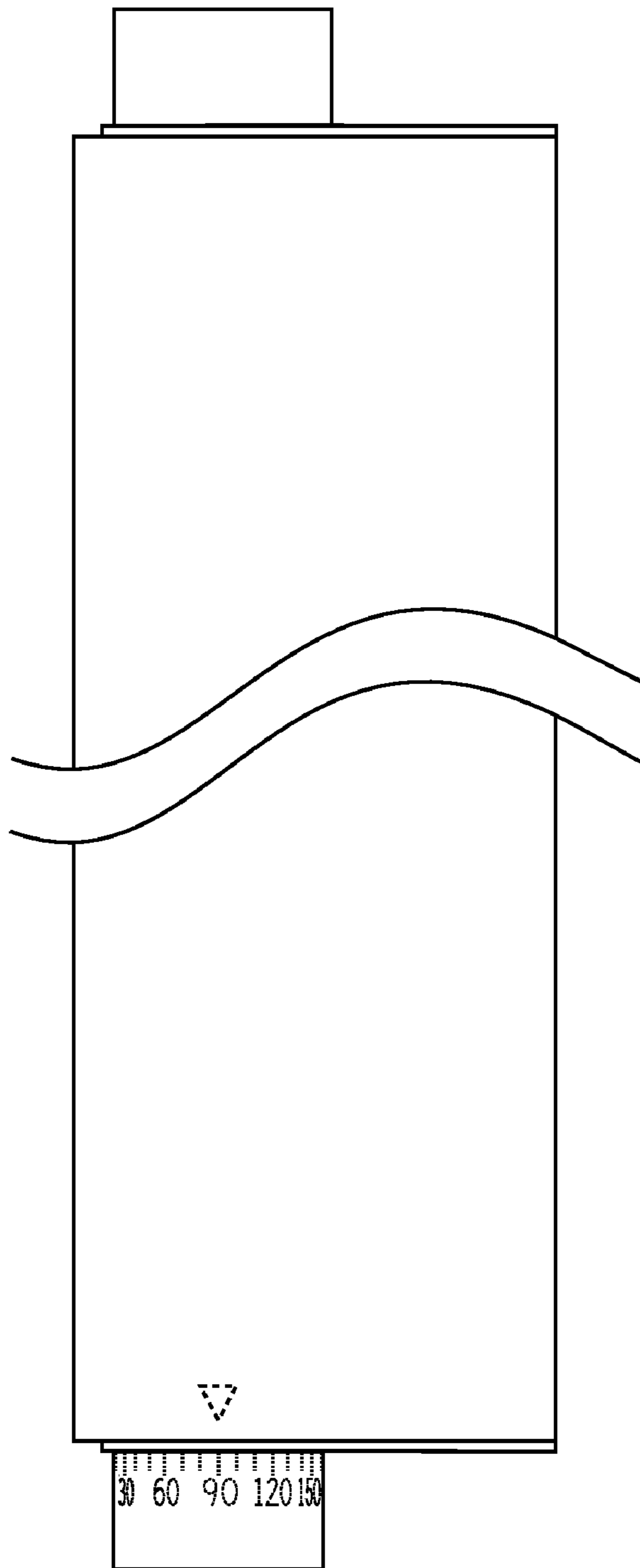


Figure 4

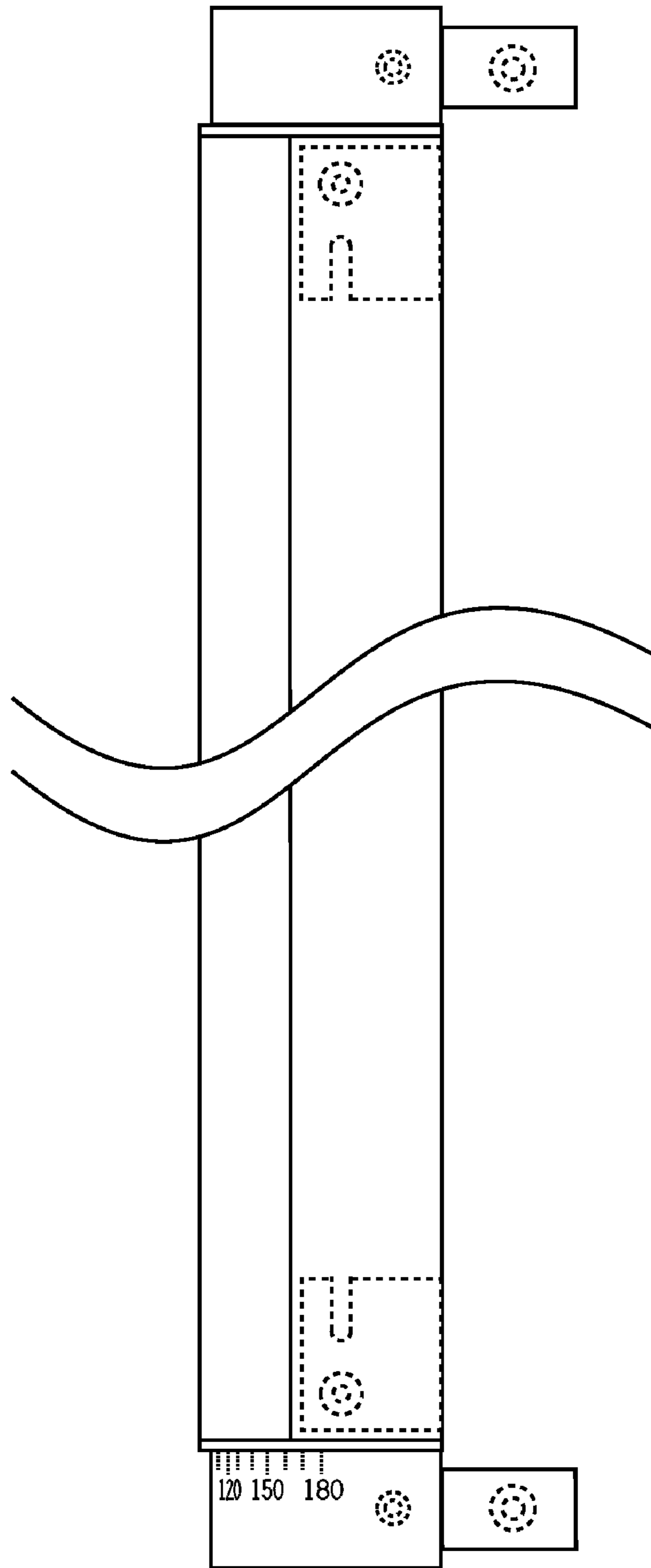


Figure 5

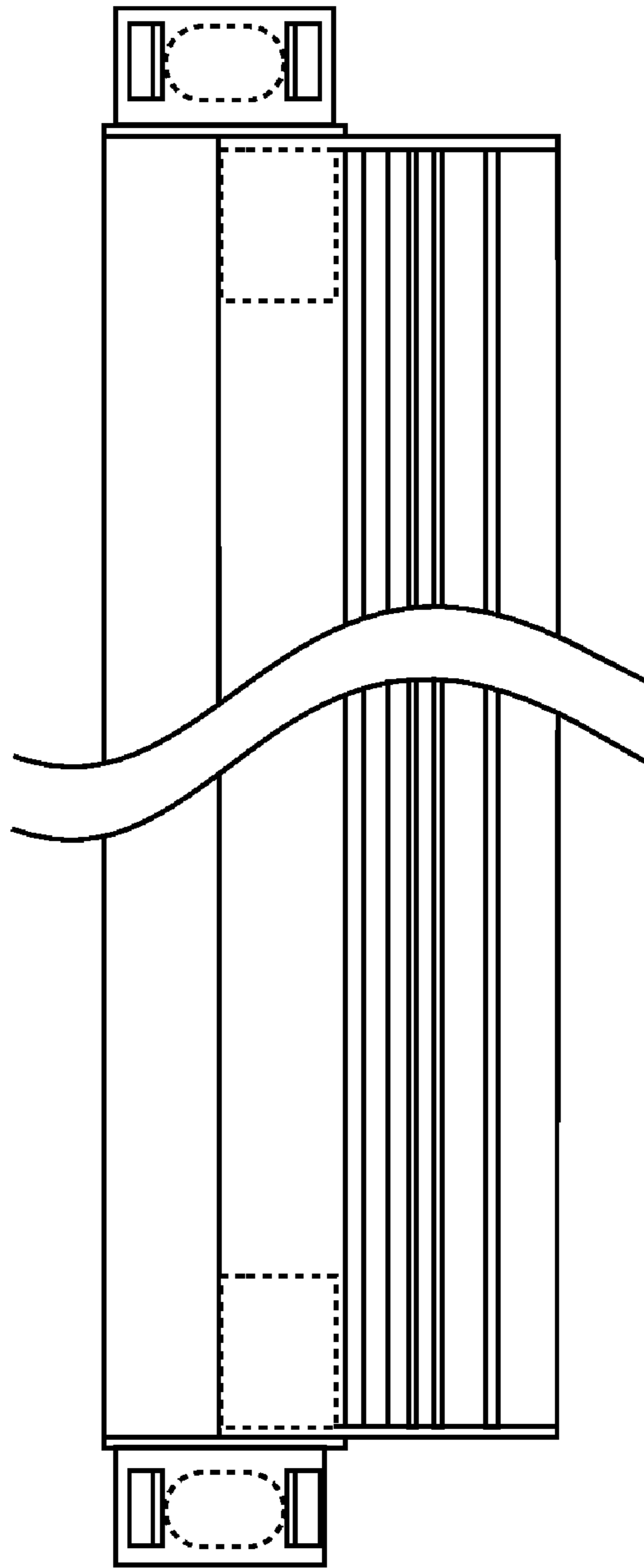


Figure 6

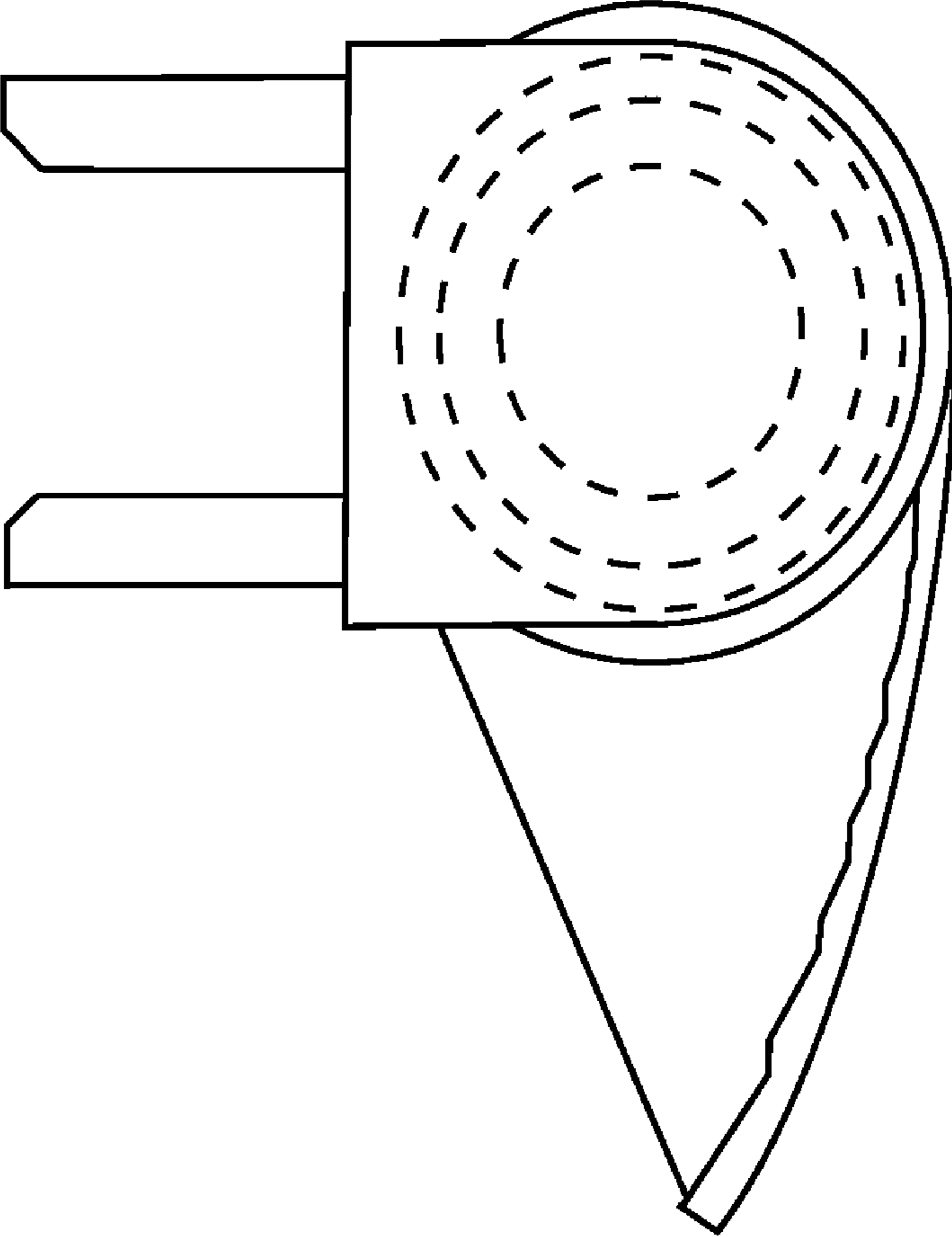


Figure 7