



US00D607144S

(12) **United States Design Patent**
Chen

(10) **Patent No.:** **US D607,144 S**

(45) **Date of Patent:** **** Dec. 29, 2009**

(54) **LAMPSHADE**

(75) Inventor: **Chin-Yi Chen**, Taipei County (TW)

(73) Assignee: **Yi-Jin Industrial Co., Ltd.**, Taipei County (TW)

(**) Term: **14 Years**

(21) Appl. No.: **29/311,905**

(22) Filed: **Jul. 29, 2009**

(51) **LOC (9) Cl.** **26-99**

(52) **U.S. Cl.** **D26/128**

(58) **Field of Classification Search** D26/25,
D26/27, 28, 120, 122, 128, 89, 113, 24, 2,
D26/3, 124; 362/240, 545, 235, 334, 327,
362/241; D13/180

See application file for complete search history.

(56) **References Cited**

U.S. PATENT DOCUMENTS

D31,856 S *	11/1899	Buffington	D26/24
D264,254 S *	5/1982	Heritage	D26/74
D350,214 S *	8/1994	Kramer	D26/128
D385,051 S *	10/1997	Wu	D26/2
6,659,632 B2 *	12/2003	Chen	362/545
D485,390 S *	1/2004	Stancik et al.	D26/104
D495,822 S *	9/2004	Yoneda	D26/124
6,840,654 B2 *	1/2005	Guerrieri et al.	362/241
6,953,264 B2 *	10/2005	Ter-Hovhannisian	362/241
D511,787 S *	11/2005	Galli	D16/134
7,070,443 B2 *	7/2006	Tashiro et al.	439/419
D535,262 S *	1/2007	Saito et al.	D13/180
D538,950 S *	3/2007	Maxik	D26/2
D539,944 S *	4/2007	Egawa et al.	D26/24
7,207,700 B2 *	4/2007	Fallahi et al.	362/334

D544,117 S *	6/2007	Coushaine	D26/37
2002/0093820 A1 *	7/2002	Pederson	362/241
2003/0137838 A1 *	7/2003	Rizkin et al.	362/240
2005/0174769 A1 *	8/2005	Yong et al.	362/235

* cited by examiner

Primary Examiner—Cathron C Brooks

Assistant Examiner—Kevin K Rudzinski

(74) *Attorney, Agent, or Firm*—Bacon & Thomas, PLLC

(57) **CLAIM**

The ornamental design for a lampshade, as shown and described.

DESCRIPTION

FIG. 1 is a perspective view of a lampshade showing my new design;

FIG. 2 is a front elevational view thereof;

FIG. 3 is a rear elevational view thereof;

FIG. 4 is a left side elevational view thereof;

FIG. 5 is a right side elevational view thereof;

FIG. 6 is a top plan view thereof;

FIG. 7 is a bottom plan view thereof;

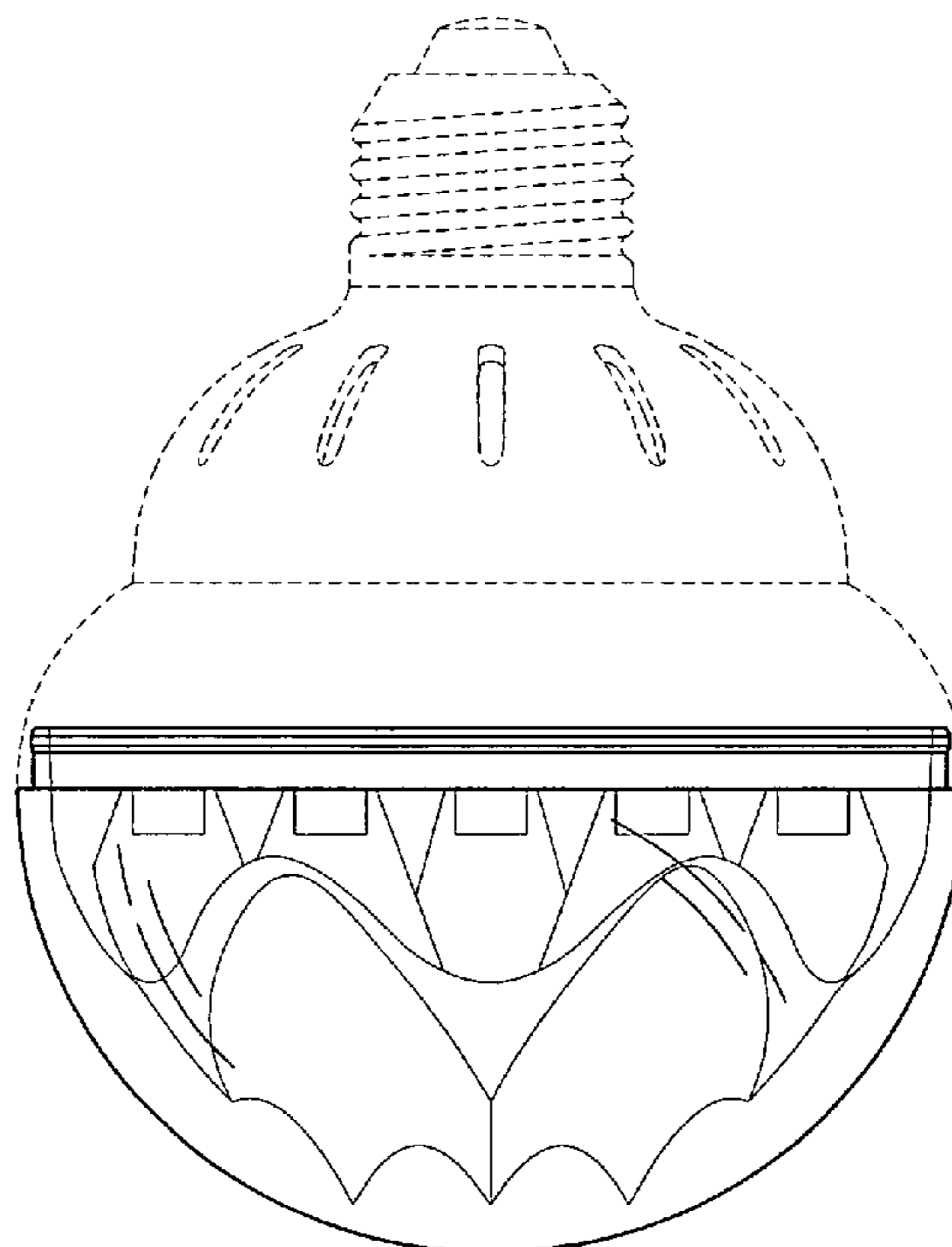
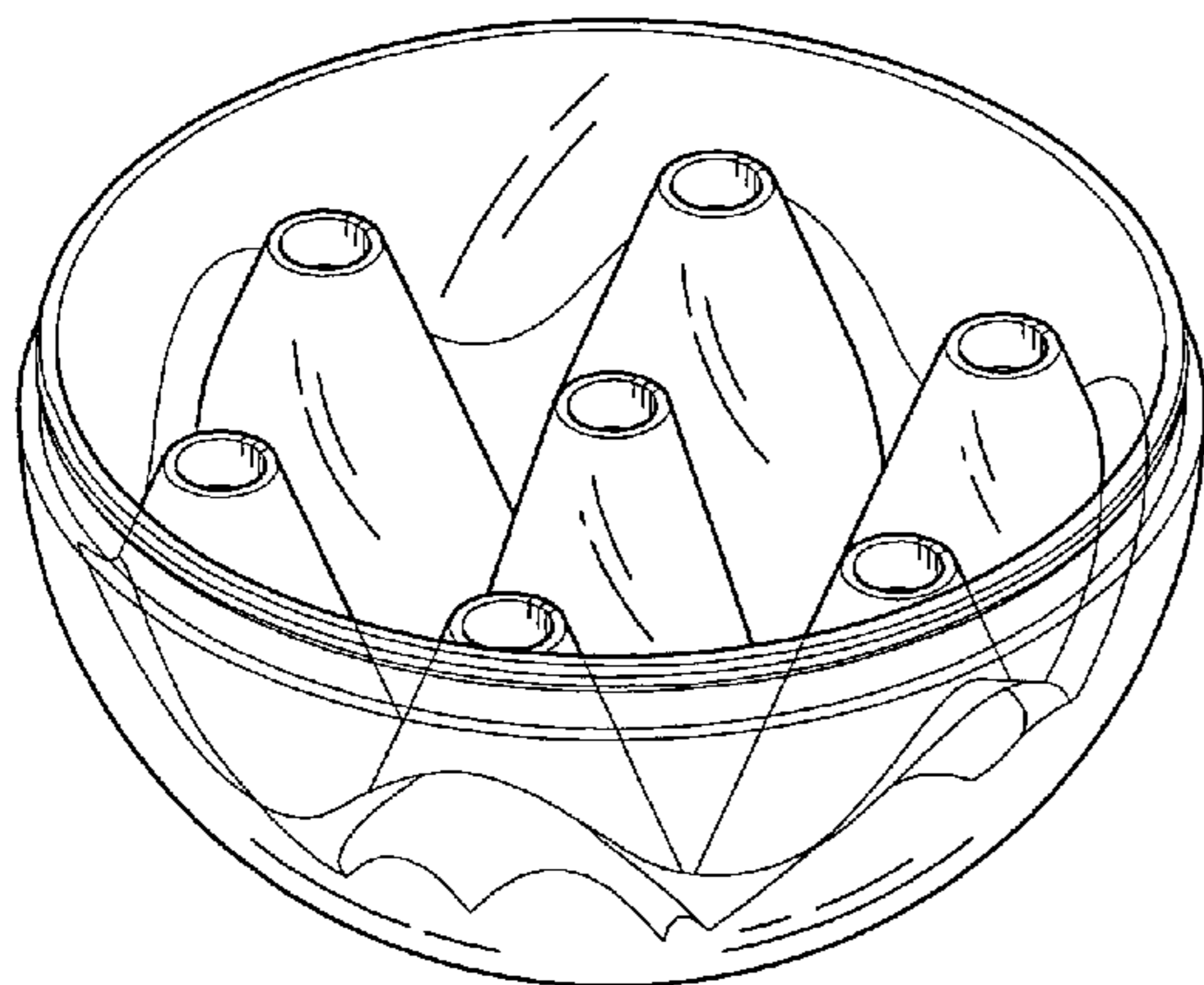
FIG. 8 is a cross-sectional view taken along line 8—8 shown in FIG. 7.

FIG. 9 is a top perspective view thereof; and,

FIG. 10 is a side elevational view of the lampshade showing the environment of the invention.

The broken lines shown in FIG. 10 are included for the purpose of illustrating environmental structure and form no part of the claimed design.

1 Claim, 7 Drawing Sheets



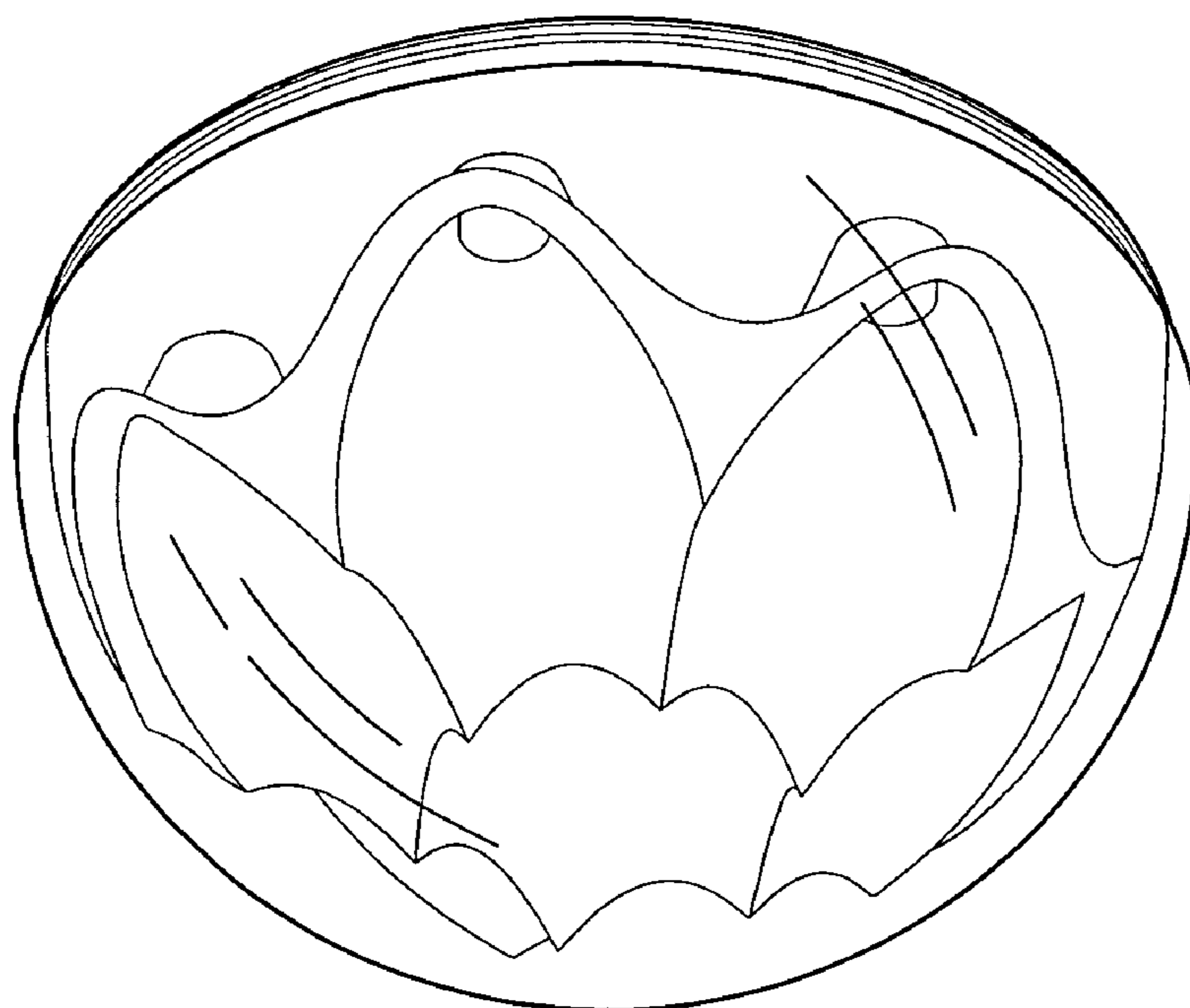


FIG. 1

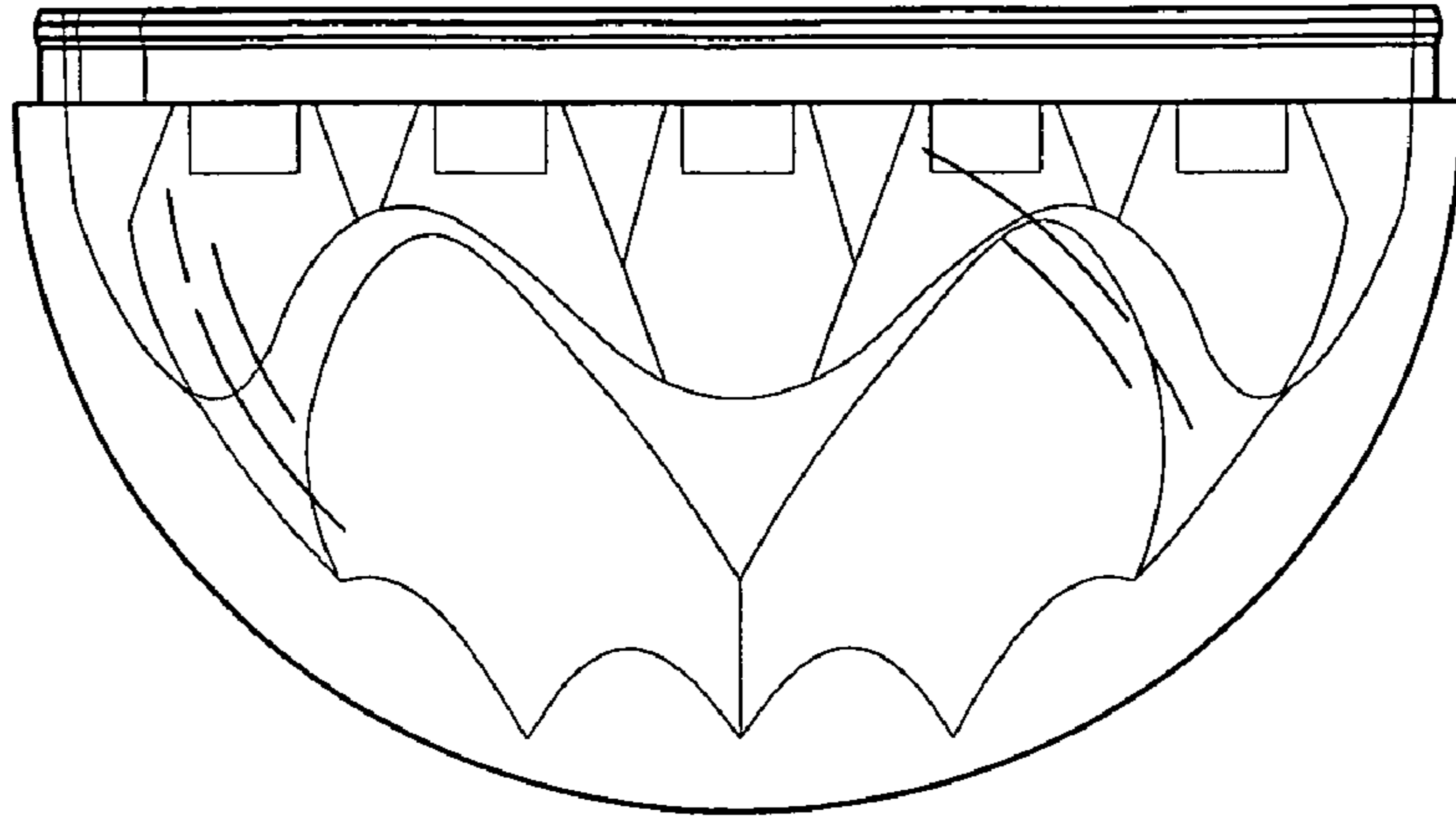


FIG. 2

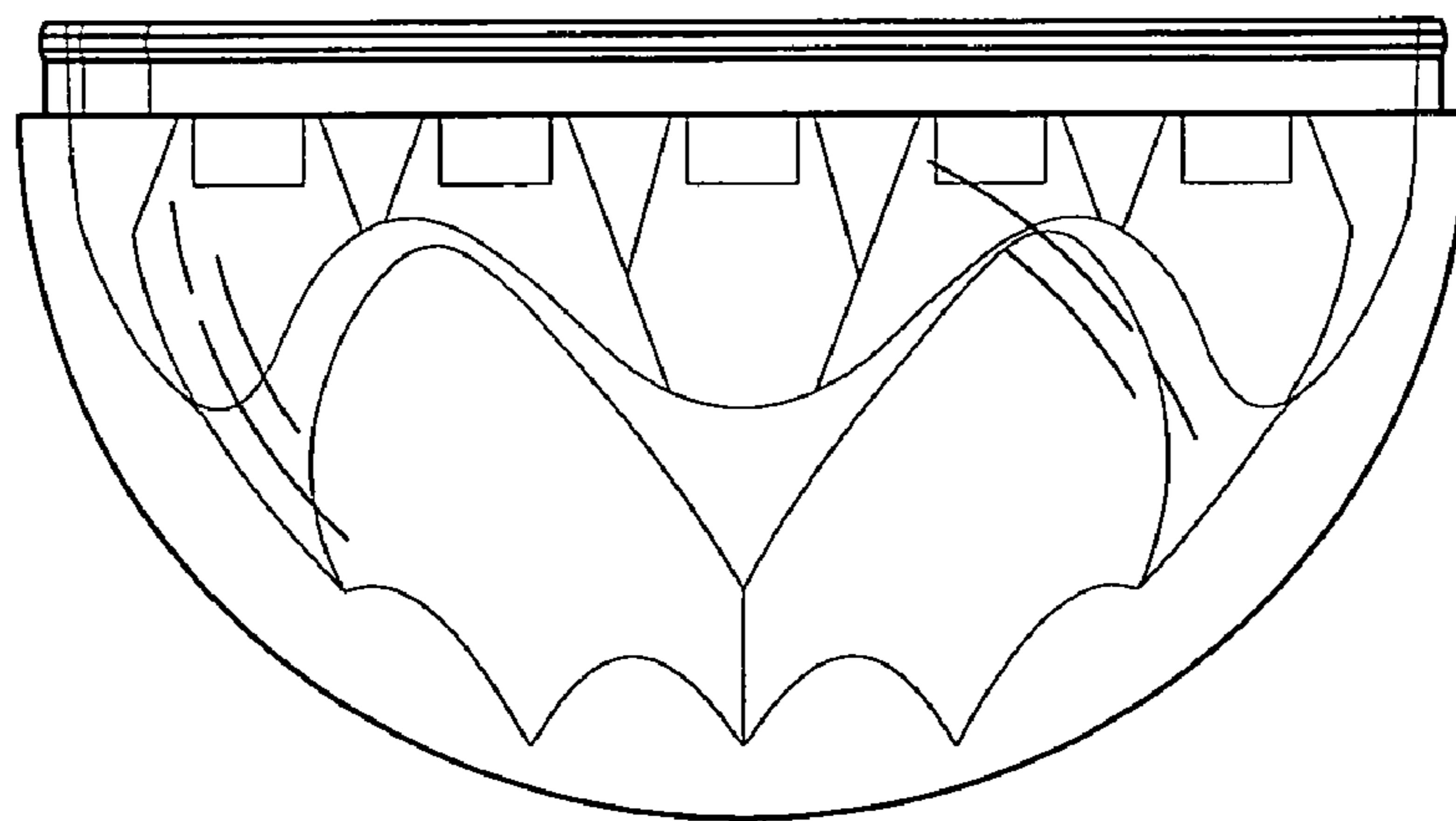


FIG. 3

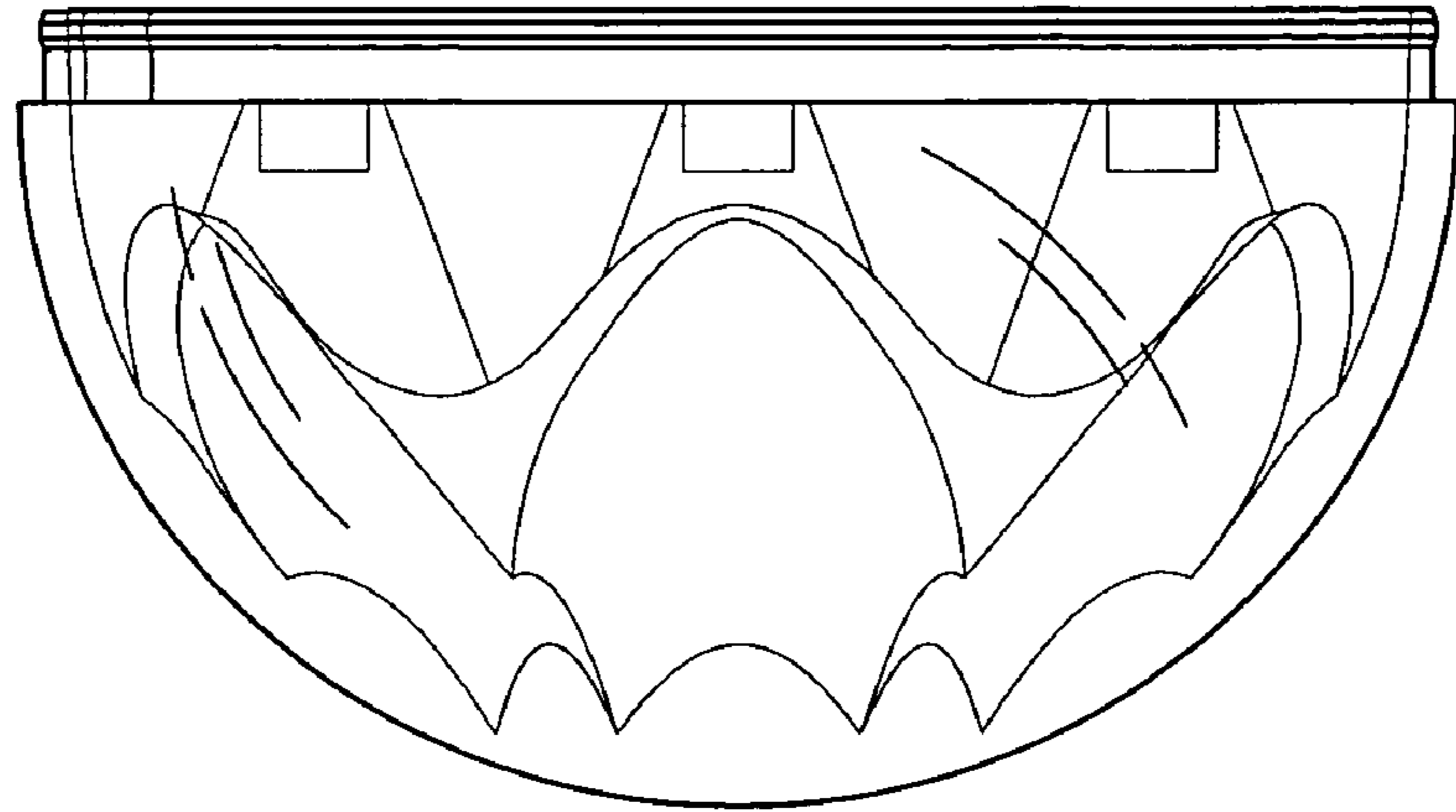


FIG. 4

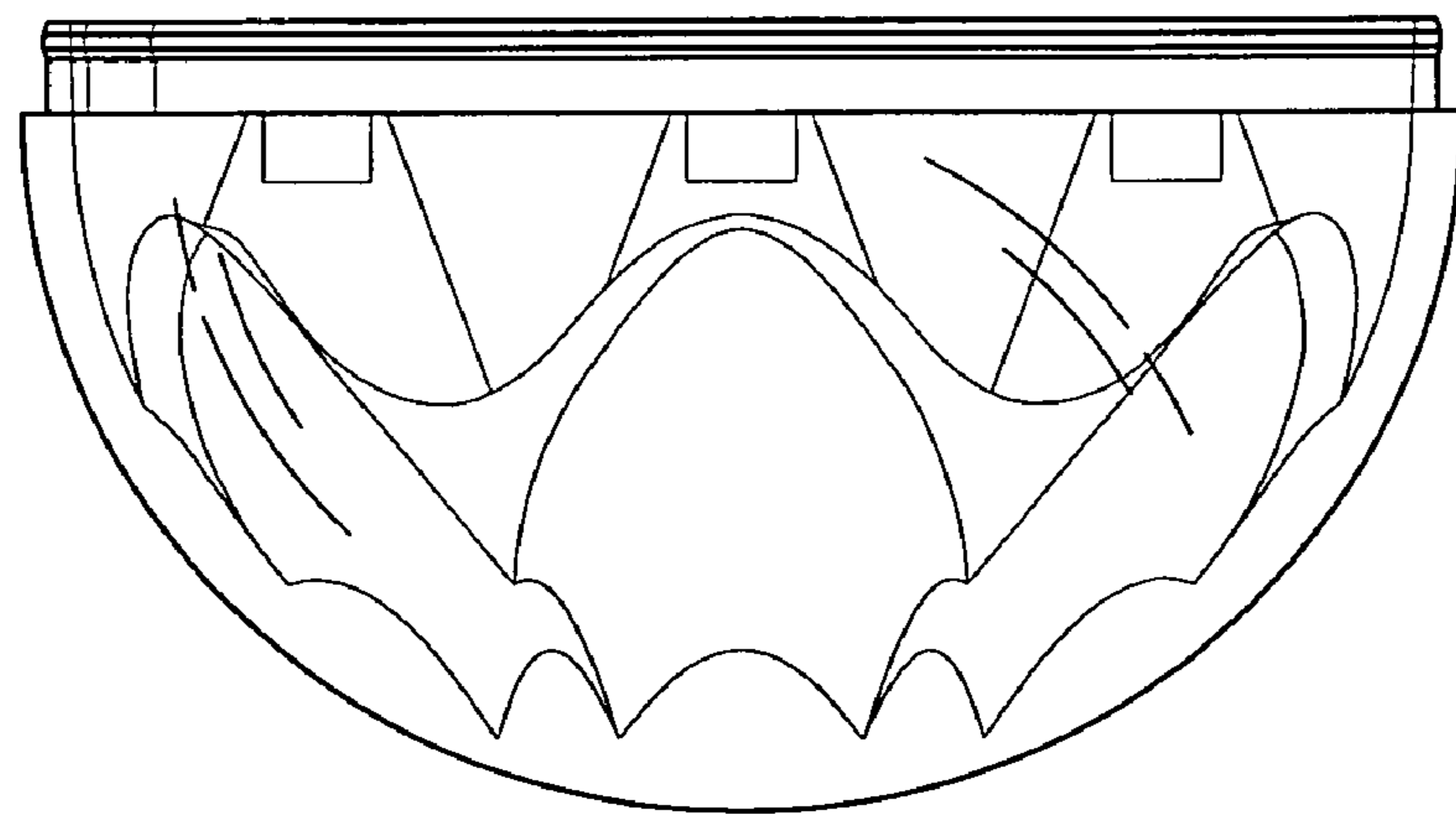


FIG. 5

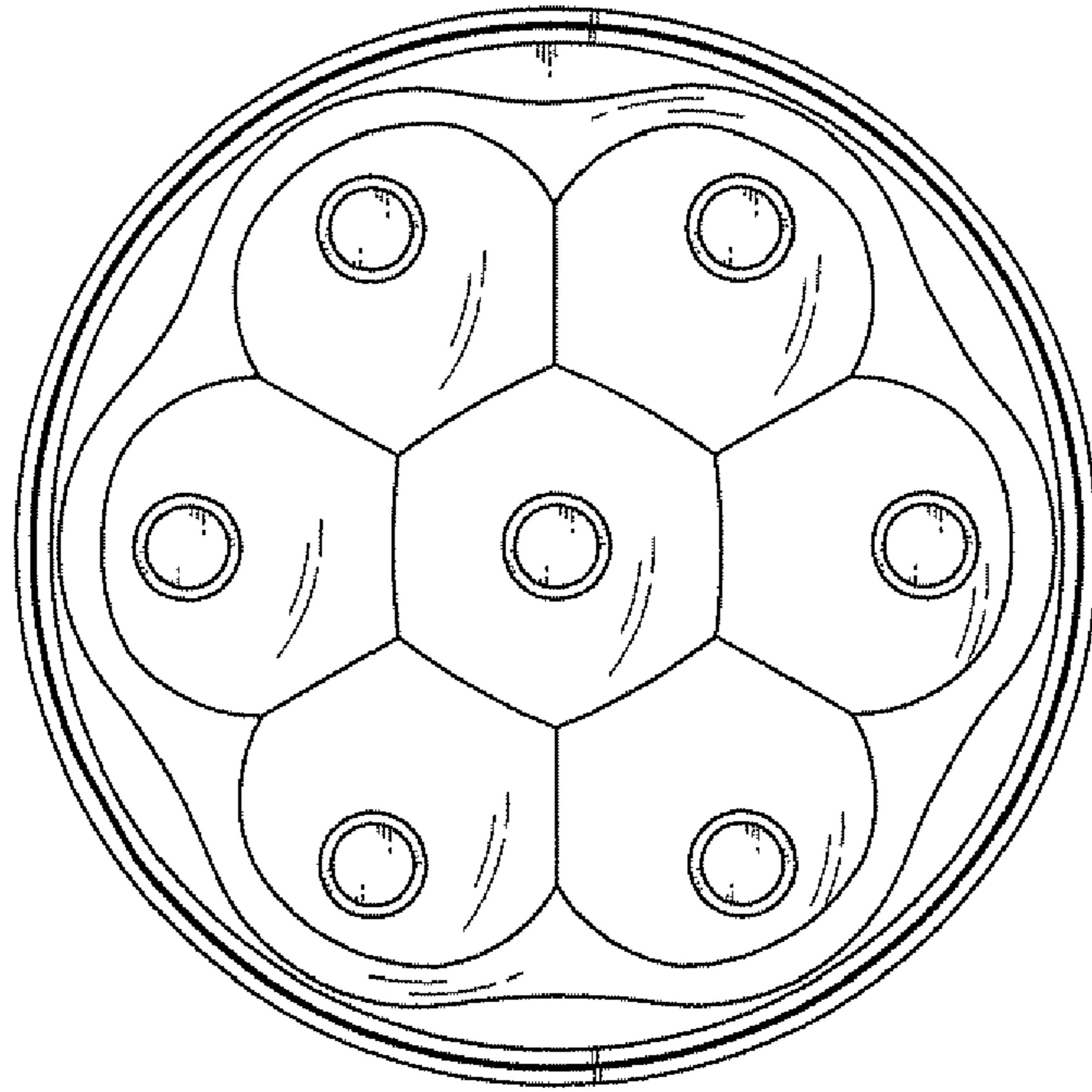


FIG. 6

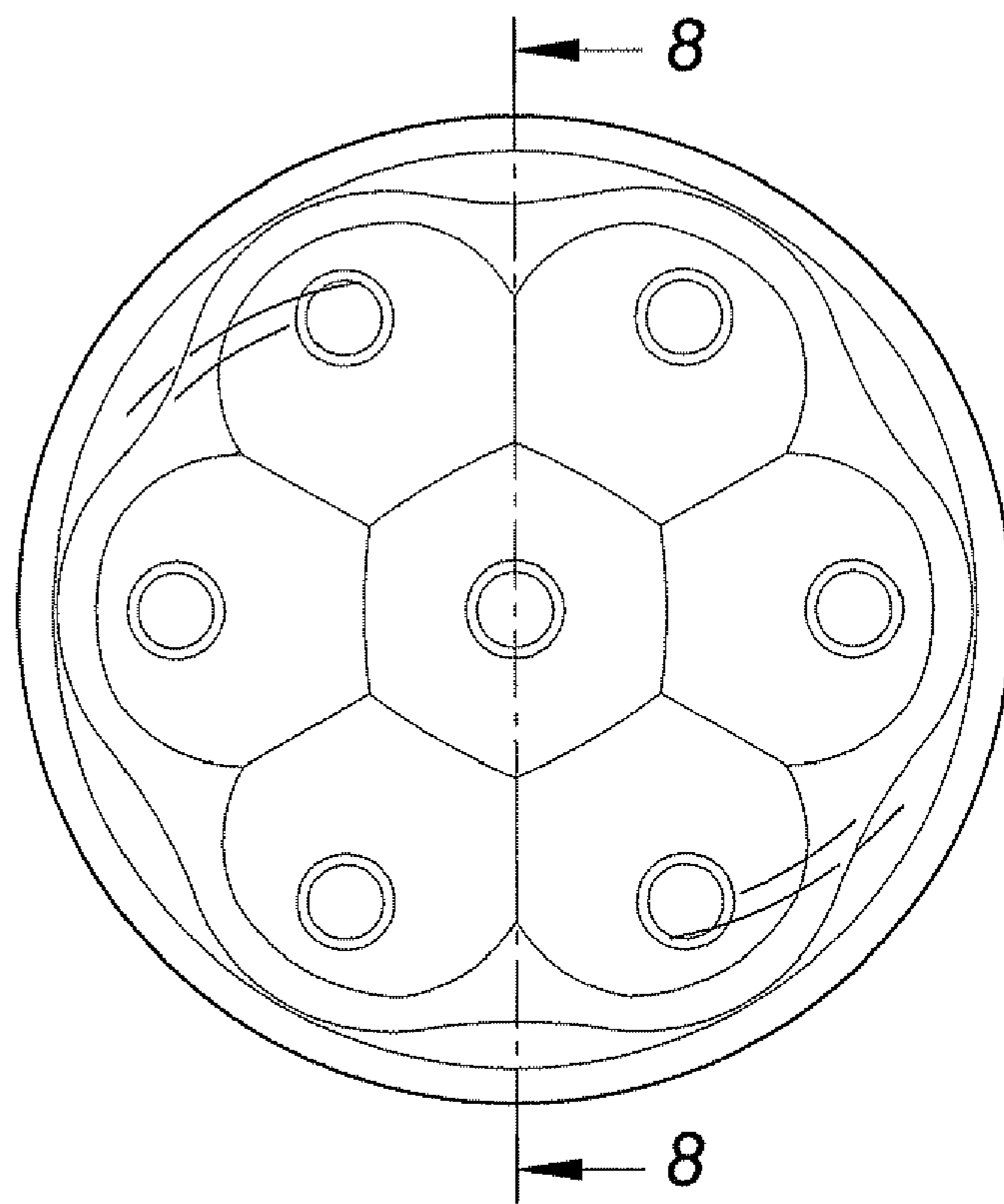


FIG. 7

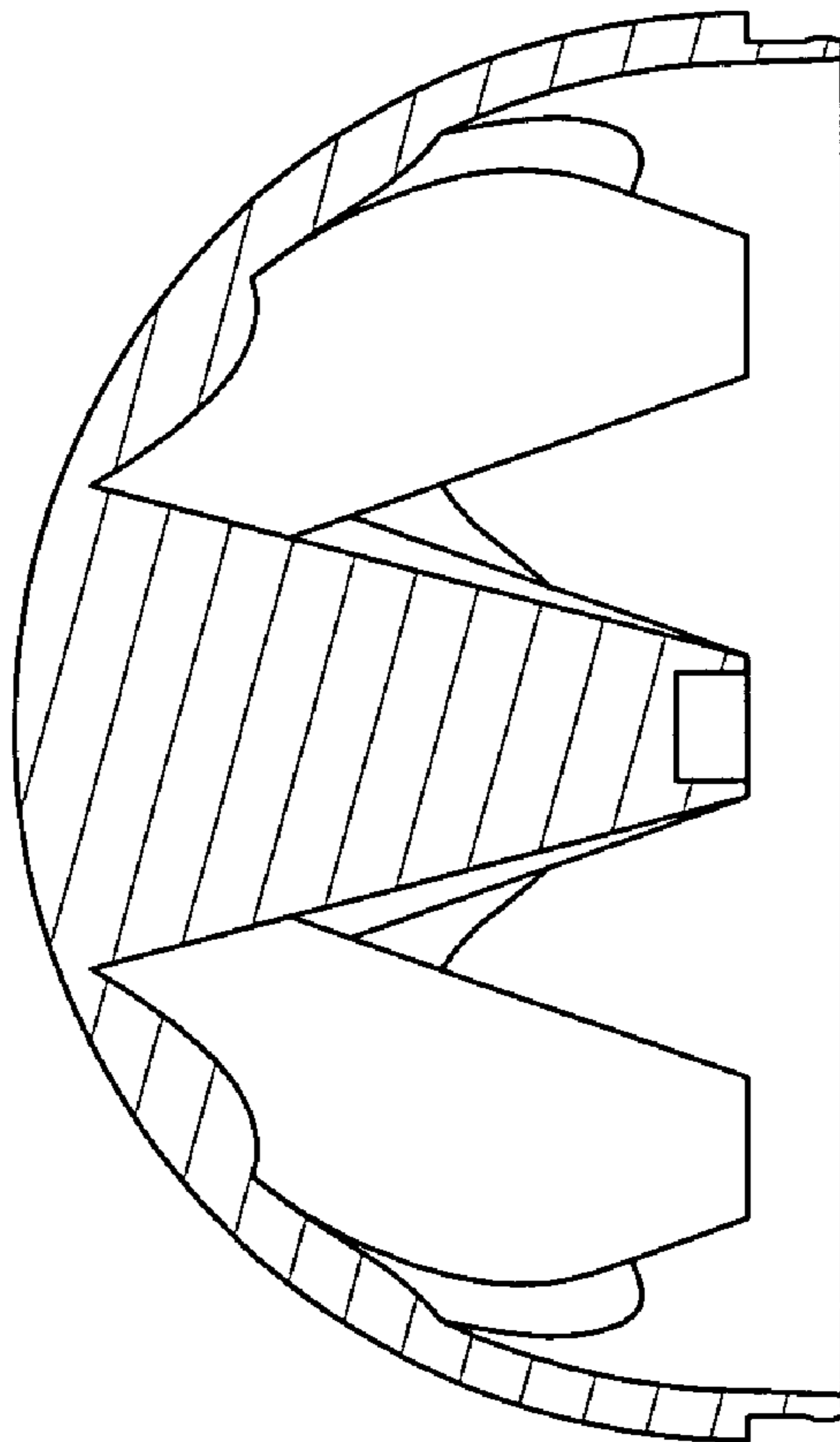


FIG. 8

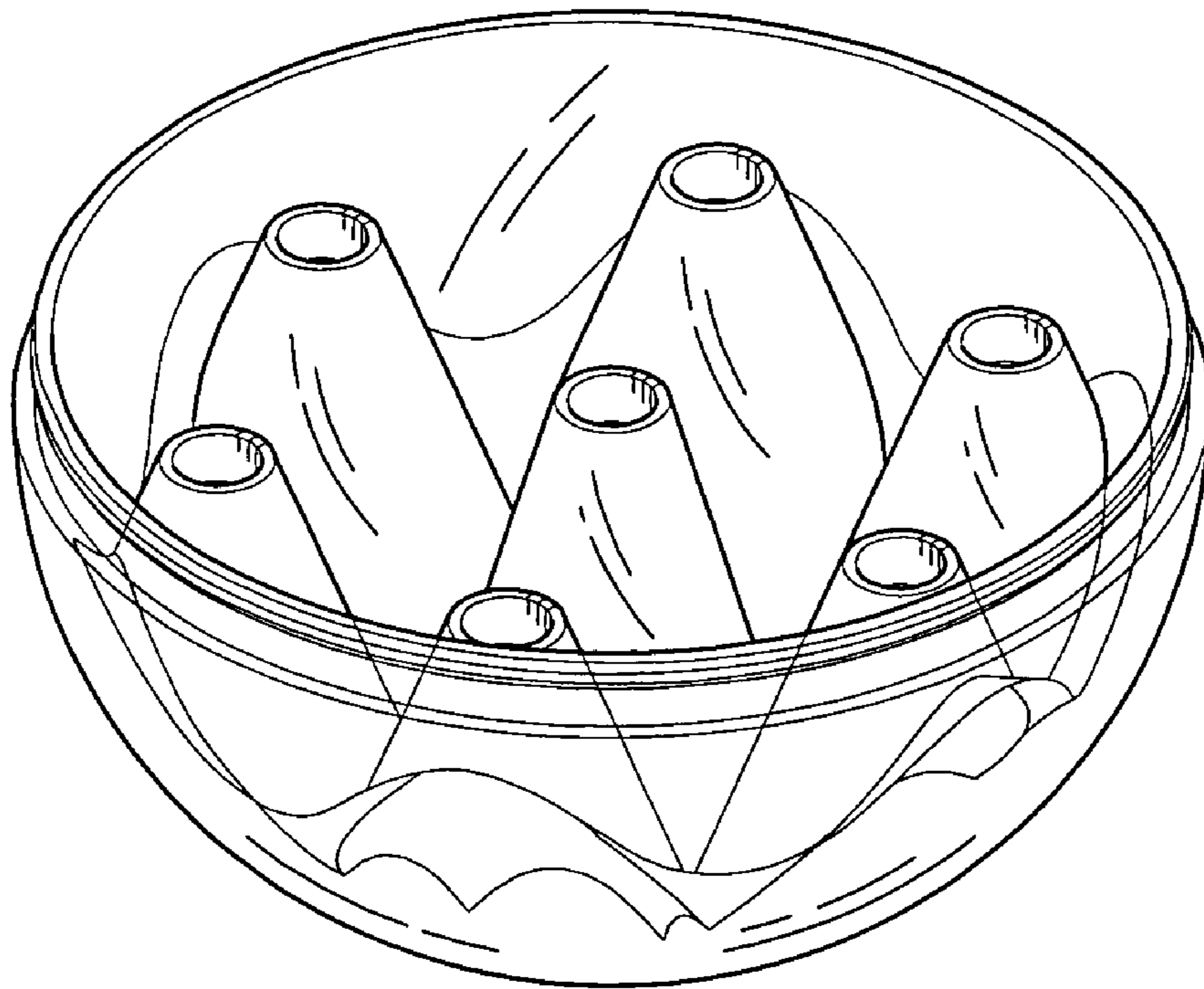


FIG.9

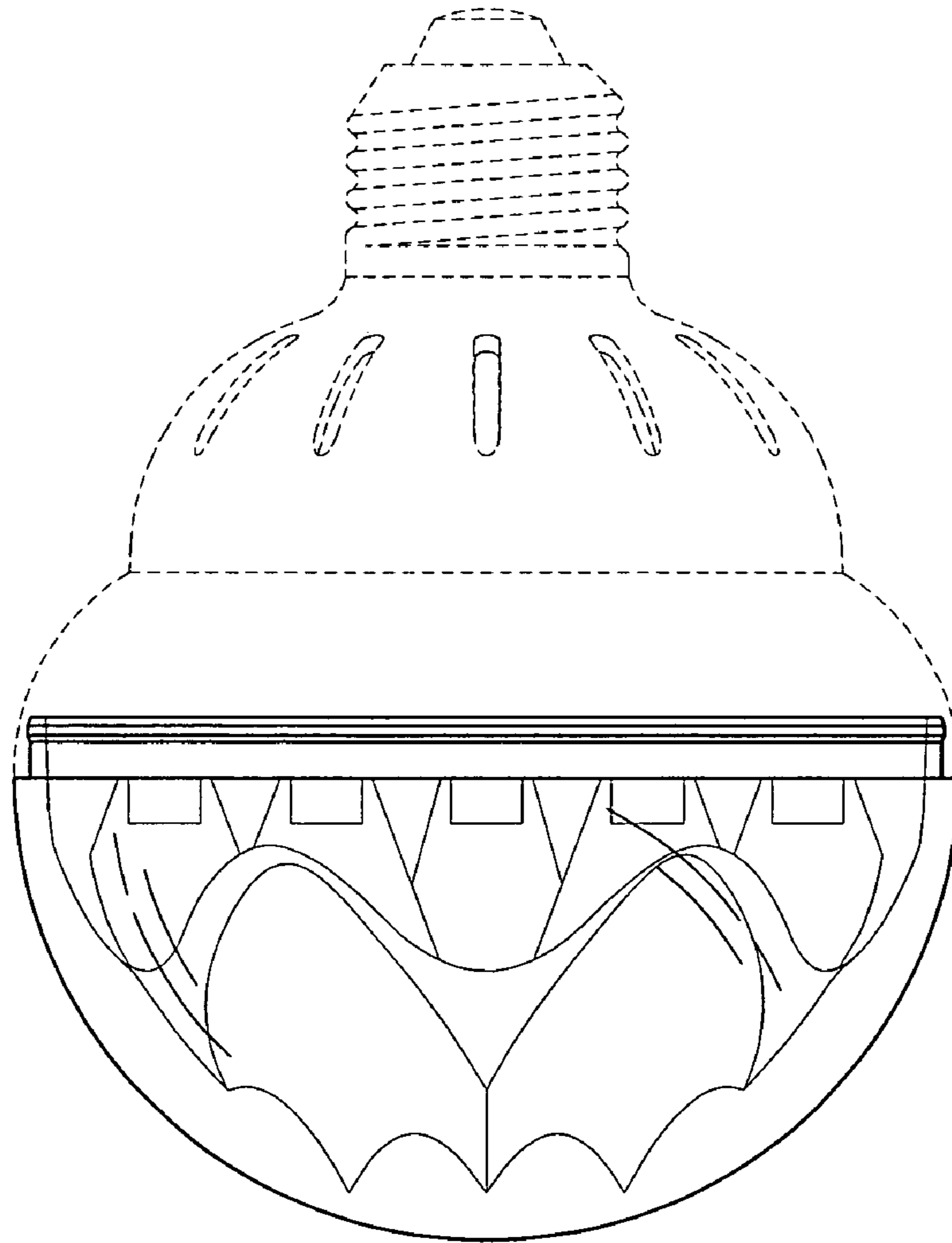


FIG. 10