



US00D607143S

(12) **United States Design Patent**  
**Sugishita et al.**

(10) **Patent No.:** **US D607,143 S**

(45) **Date of Patent:** **\*\* Dec. 29, 2009**

(54) **LIGHTING FIXTURE**

(75) Inventors: **Naoki Sugishita**, Kanagawa (JP);  
**Homare Takai**, Kanagawa (JP)

(73) Assignee: **Toshiba Lighting & Technology Corporation**, Kanagawa (JP)

(\*\*) Term: **14 Years**

(21) Appl. No.: **29/342,140**

(22) Filed: **Aug. 19, 2009**

(30) **Foreign Application Priority Data**

Feb. 24, 2009 (JP) ..... 2009-003825

(51) **LOC (9) Cl.** ..... **26-99**

(52) **U.S. Cl.** ..... **D26/121**

(58) **Field of Classification Search** ..... D26/72,  
D26/122, 121, 74, 75, 76, 77, 85, 86, 88,  
D26/89, 113, 118, 120; 362/147, 150, 217,  
362/223, 224, 290, 292, 330, 331, 342, 354,  
362/367

See application file for complete search history.

(56) **References Cited**

**U.S. PATENT DOCUMENTS**

2,677,046 A \* 4/1954 Janness et al. .... 362/148  
D173,156 S \* 10/1954 Hurley ..... D26/122  
2,913,576 A \* 11/1959 Gillearn ..... 362/354  
3,213,274 A \* 10/1965 Stiffel ..... 362/147  
4,896,656 A \* 1/1990 Johnson ..... 126/92 B  
D327,543 S \* 6/1992 Gardner ..... D25/138  
D502,284 S \* 2/2005 Egawa et al. .... D26/122

D517,725 S \* 3/2006 Egawa et al. .... D26/122  
D539,945 S \* 4/2007 Egawa et al. .... D26/24  
D542,963 S 5/2007 Zucker  
D578,699 S \* 10/2008 Ohno et al. .... D26/72  
D600,392 S \* 9/2009 Ling et al. .... D26/74  
2004/0012957 A1 \* 1/2004 Bachl et al. .... 362/241  
2009/0027897 A1 \* 1/2009 Chang ..... 362/330

\* cited by examiner

*Primary Examiner*—Cathron C Brooks

*Assistant Examiner*—Kevin K Rudzinski

(74) *Attorney, Agent, or Firm*—J.C. Patents

(57) **CLAIM**

The ornamental design for a lighting fixture, as shown and described.

**DESCRIPTION**

FIG. 1 is a perspective view of a lighting fixture showing our new design;

FIG. 2 is a front view thereof, the rear view being identical to the front view;

FIG. 3 is a right side view thereof, the left side view being identical to the right side view;

FIG. 4 is a top view thereof;

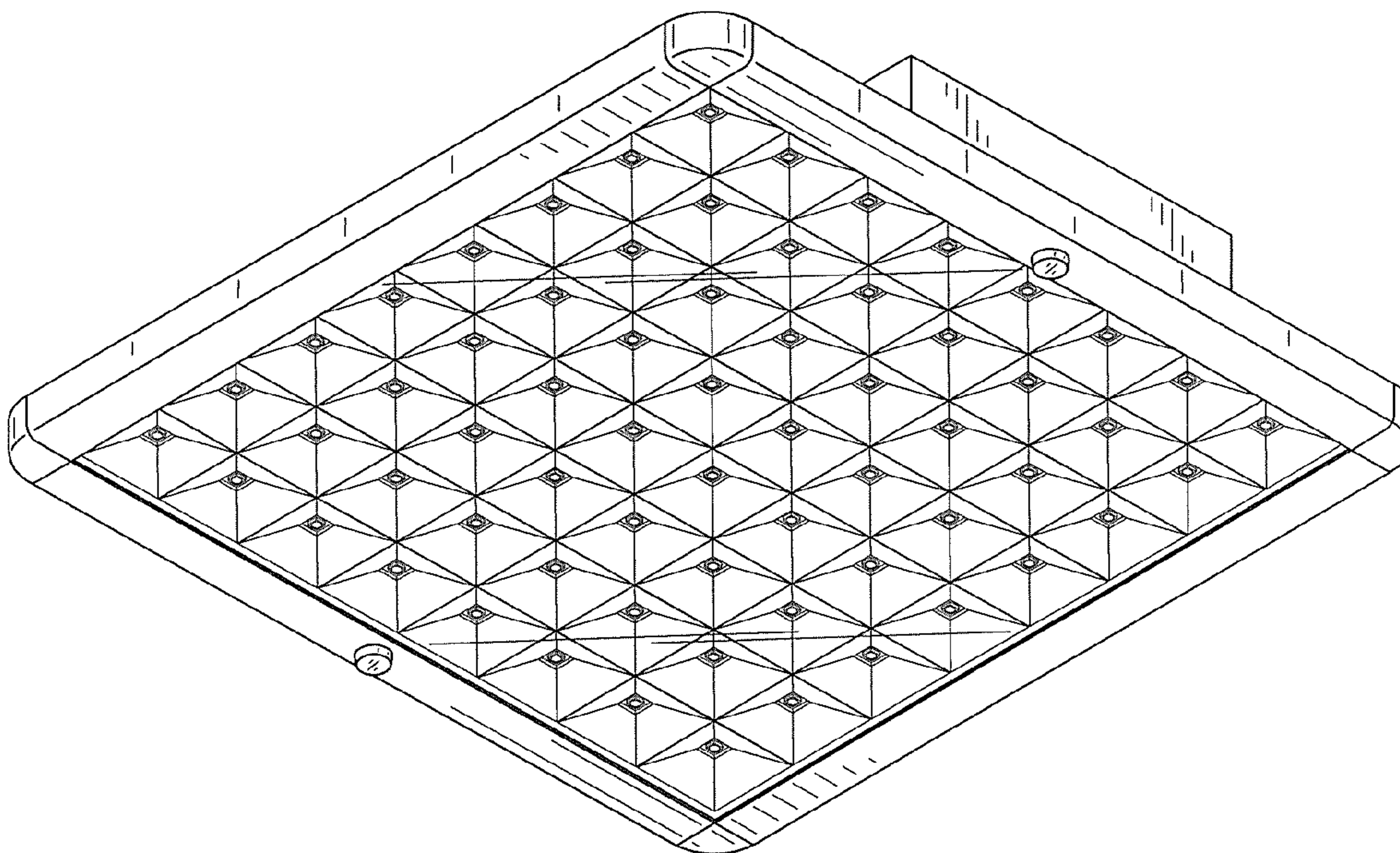
FIG. 5 is a bottom view thereof;

FIG. 6 is an enlarged cross-sectional view taken along line 6—6 in FIG. 3 with the internal parts omitted; and,

FIG. 7 is an enlarged view of an indicated portion in FIG. 6.

The portions shown in double cross-hatched lines in FIGS. 6 and 7 are transparent.

**1 Claim, 5 Drawing Sheets**



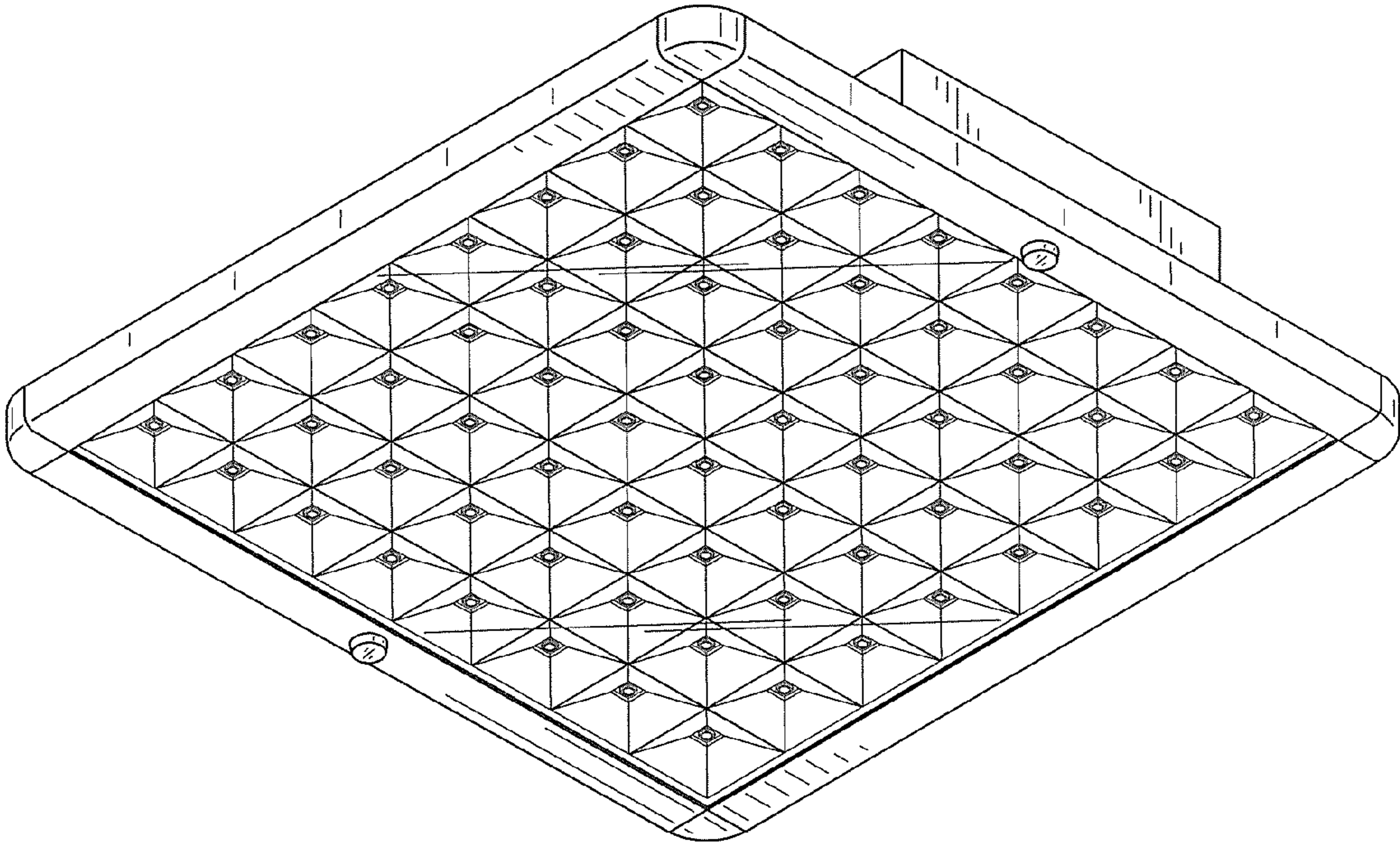


FIG. 1

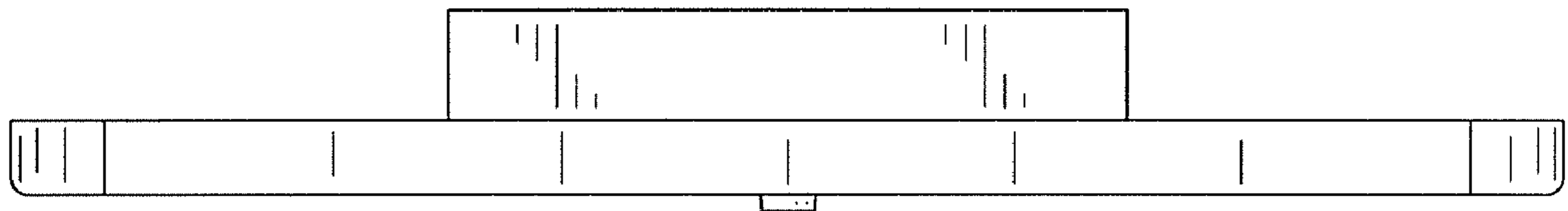


FIG. 2

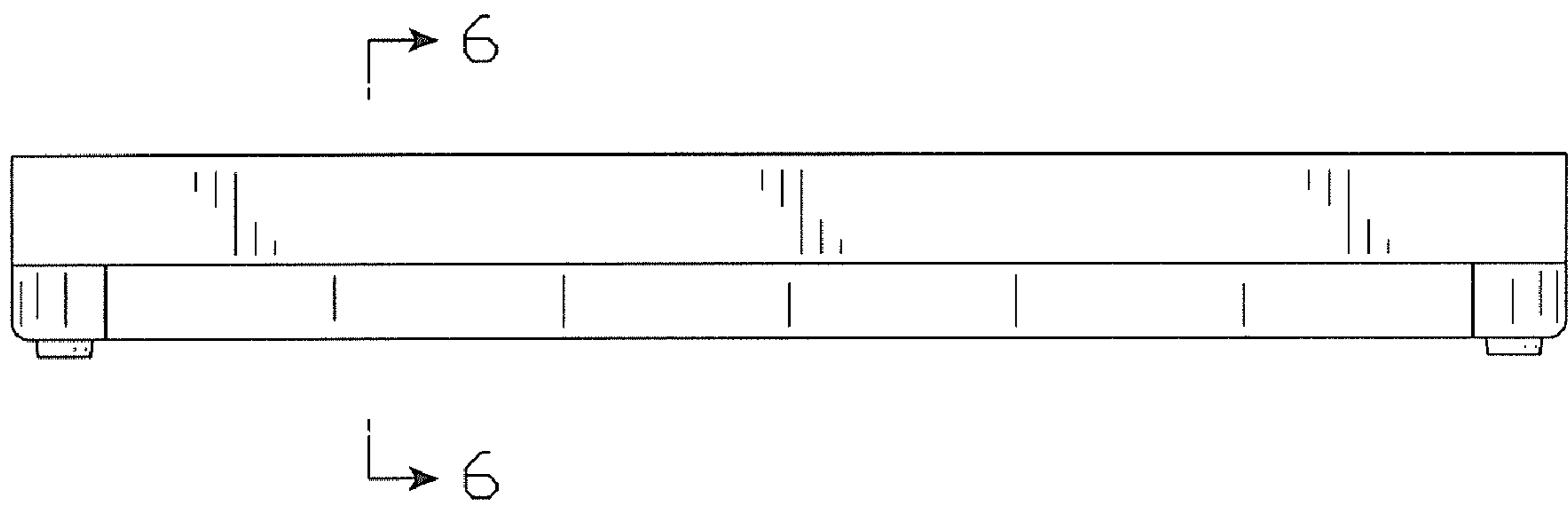


FIG. 3

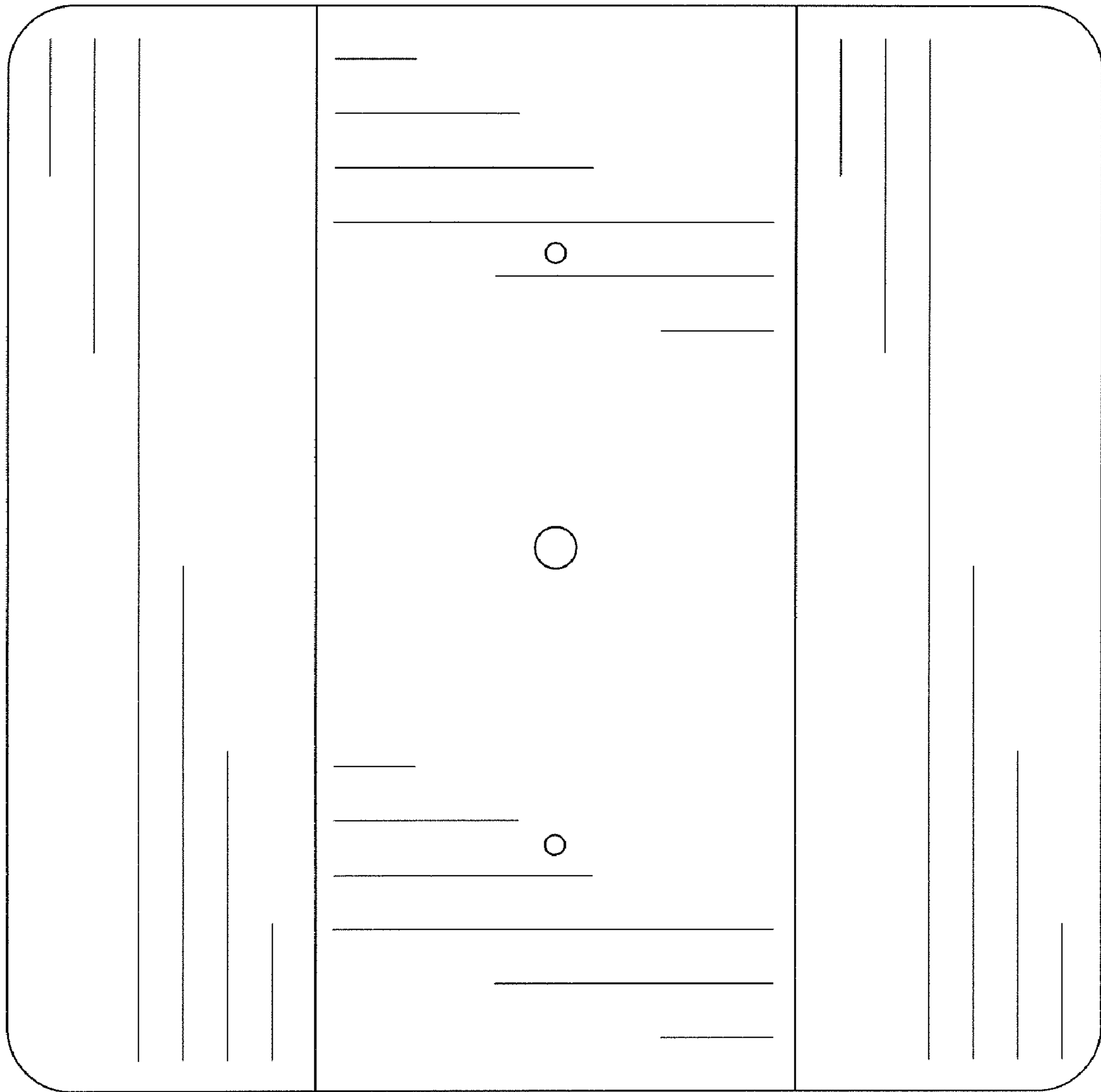


FIG. 4

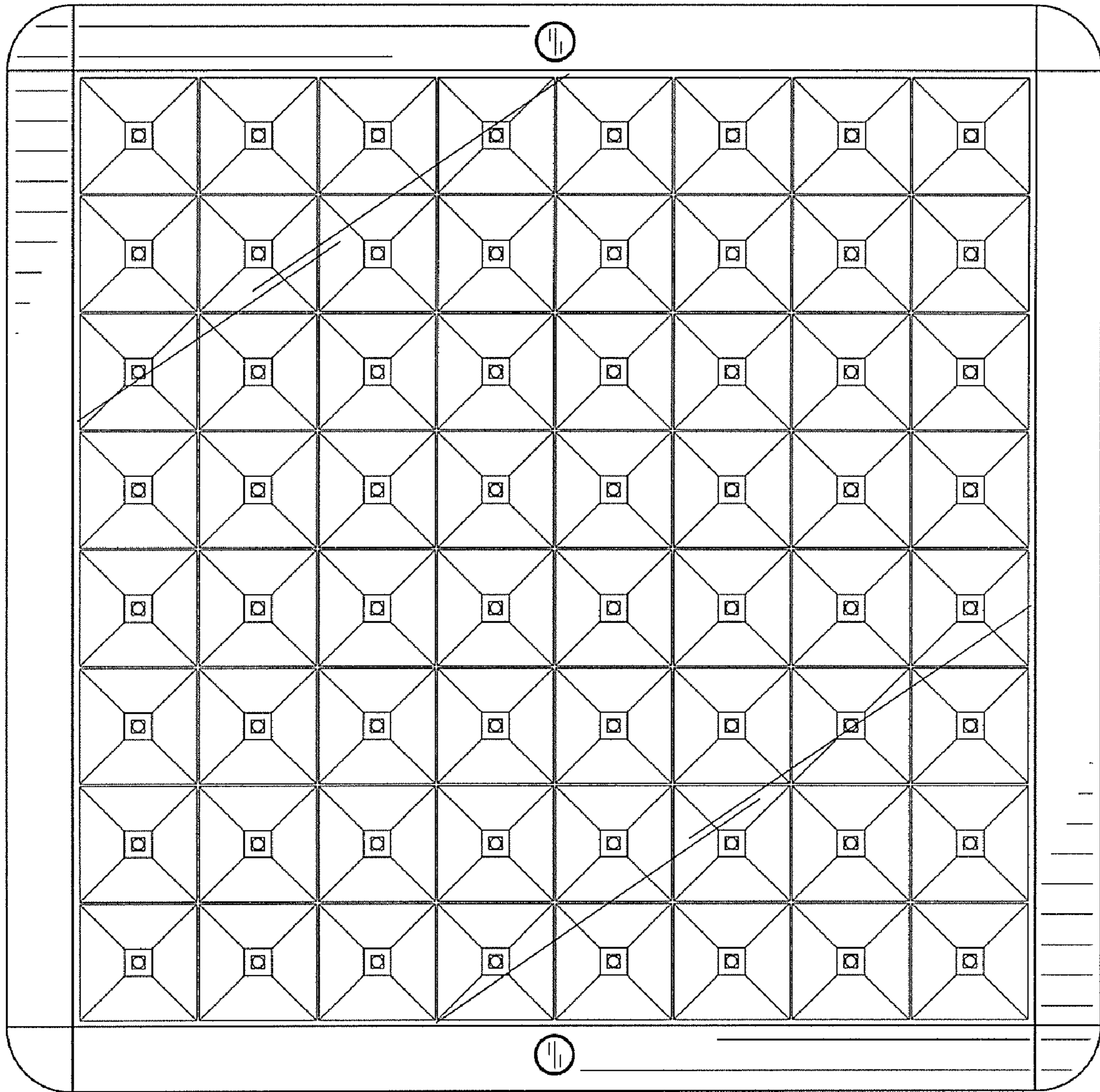


FIG. 5

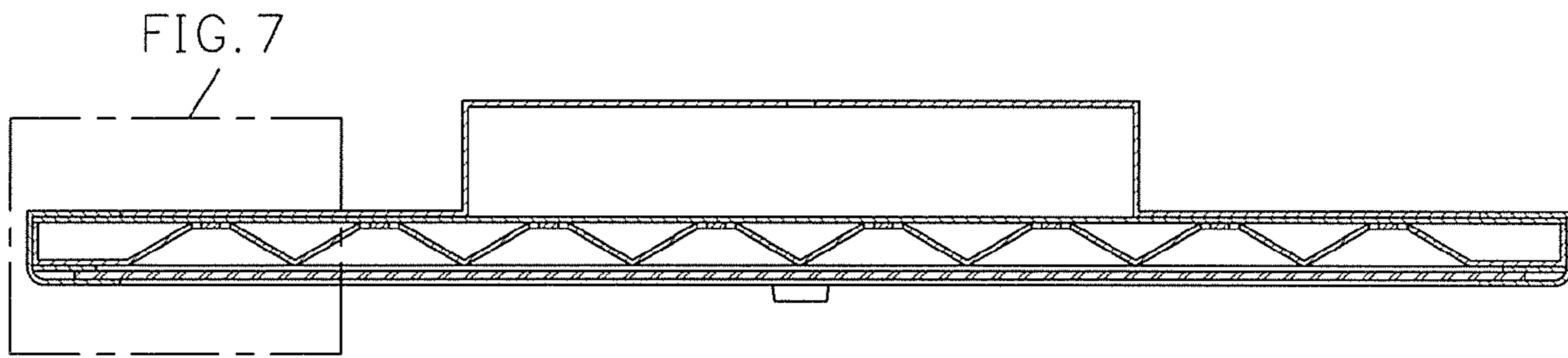


FIG. 6

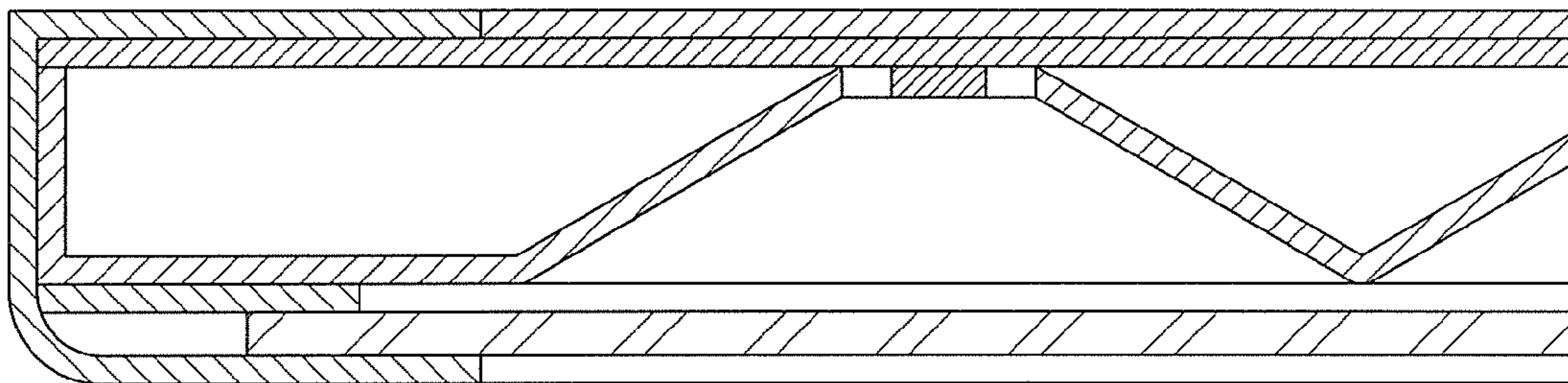


FIG. 7