



US00D607142S

(12) **United States Design Patent**
Alvarez

(10) **Patent No.:** **US D607,142 S**

(45) **Date of Patent:** **** Dec. 29, 2009**

(54) **DENTAL LIGHT**

(75) Inventor: **Jason Alvarez**, Portland, OR (US)

(73) Assignee: **A-dec, Inc.**, Newberg, OR (US)

(**) Term: **14 Years**

(21) Appl. No.: **29/331,451**

(22) Filed: **Jan. 26, 2009**

(51) **LOC (9) Cl.** **26-99**

(52) **U.S. Cl.** **D26/118**

(58) **Field of Classification Search** 26/61,
26/65, 63, 72, 91, 92, 113, 118, 119, 120,
26/122, 123, 124, 145; 362/296.03, 264,
362/282, 296, 220, 297, 303, 33, 804, 269,
362/277, 285

See application file for complete search history.

(56) **References Cited**

U.S. PATENT DOCUMENTS

D201,038 S *	5/1965	Sullivan et al.	D26/61
3,191,023 A *	6/1965	Jones et al.	362/220
D221,103 S *	7/1971	Beach et al.	D26/65
4,254,454 A *	3/1981	Hardin, Jr.	362/282
4,254,455 A *	3/1981	Neal, Jr.	362/296.03
D264,508 S *	5/1982	Williams et al.	D26/61
4,459,647 A *	7/1984	Yamauchi et al.	362/297
4,777,574 A *	10/1988	Eisner	362/399
4,837,668 A *	6/1989	Koehler	362/297
4,930,058 A *	5/1990	Jones et al.	362/400
D351,676 S *	10/1994	Phleps	D26/63
5,408,400 A *	4/1995	Gordon	362/400
5,428,517 A *	6/1995	Behringer	362/264

D377,227 S	1/1997	Nordstrom et al.	
5,651,611 A	7/1997	Weiler	
D463,056 S *	9/2002	Waites D26/65
7,195,219 B2	3/2007	Irwin et al.	
D586,026 S	2/2009	Hanson et al.	

OTHER PUBLICATIONS

A-dec, Inc. 500 brochure, copyright 2004.

* cited by examiner

Primary Examiner—Cathron C Brooks

Assistant Examiner—Kevin K Rudzinski

(74) *Attorney, Agent, or Firm*—Klarquist Sparkman, LLP

(57) **CLAIM**

The ornamental design for a dental light, as shown and described.

DESCRIPTION

FIG. 1 is a right, front side perspective view of a dental light.

FIG. 2 is a left, rear side perspective view of the dental light of FIG. 1.

FIG. 3 is a rear view of the dental light of FIG. 1.

FIG. 4 is a front view of the dental light of FIG. 1.

FIG. 5 is a top view of the dental light of FIG. 1.

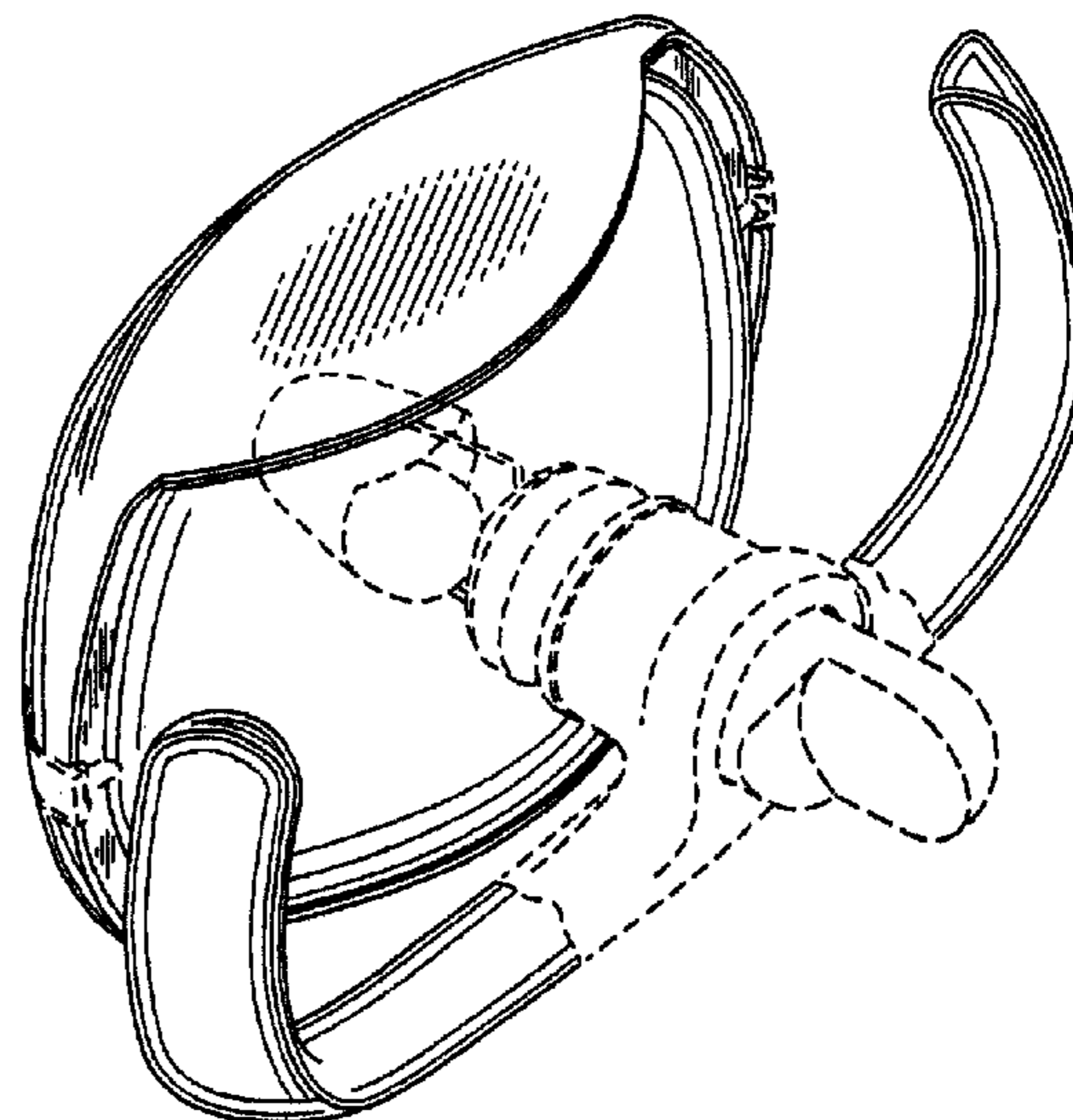
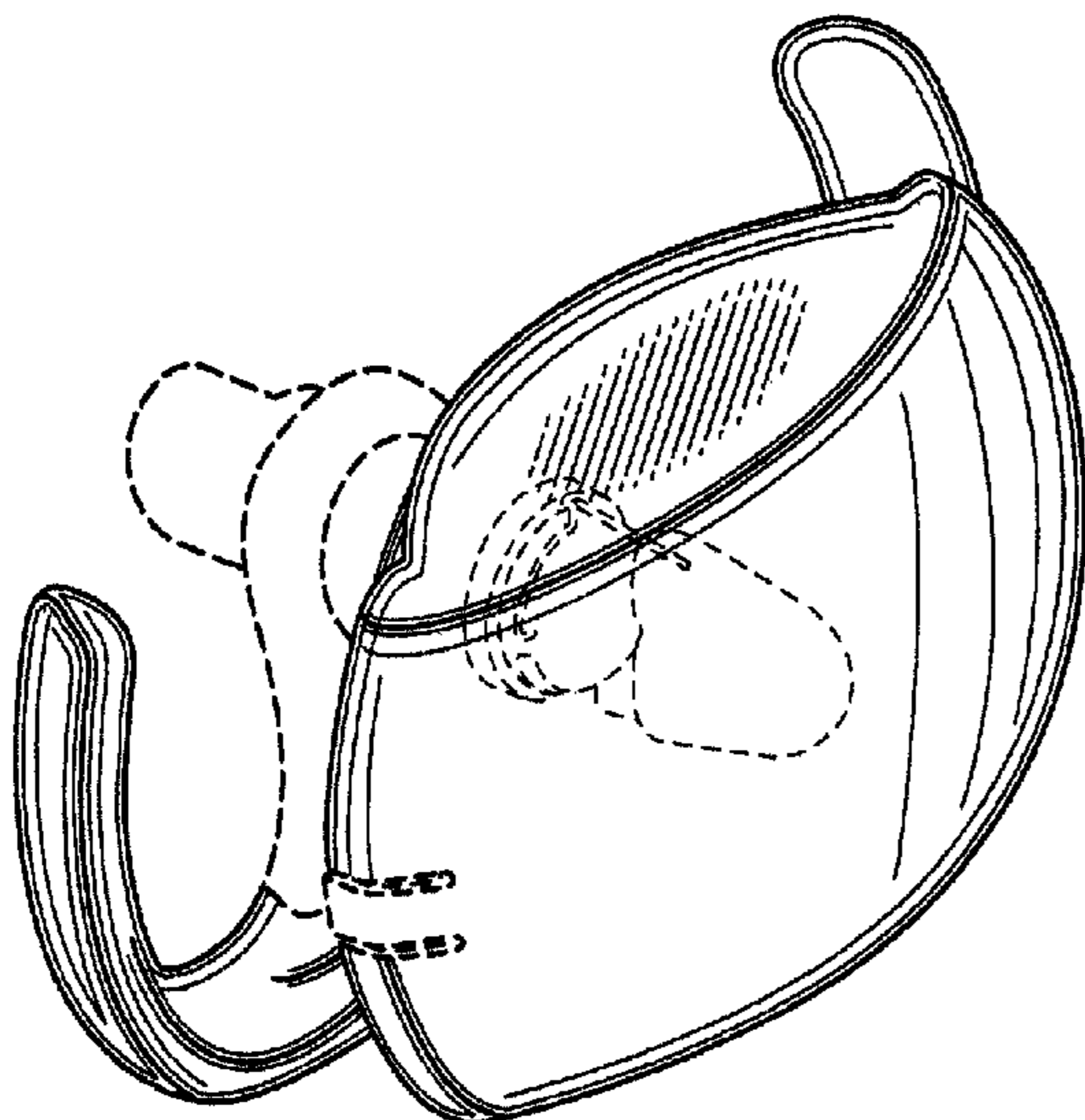
FIG. 6 is a bottom view of the dental light of FIG. 1.

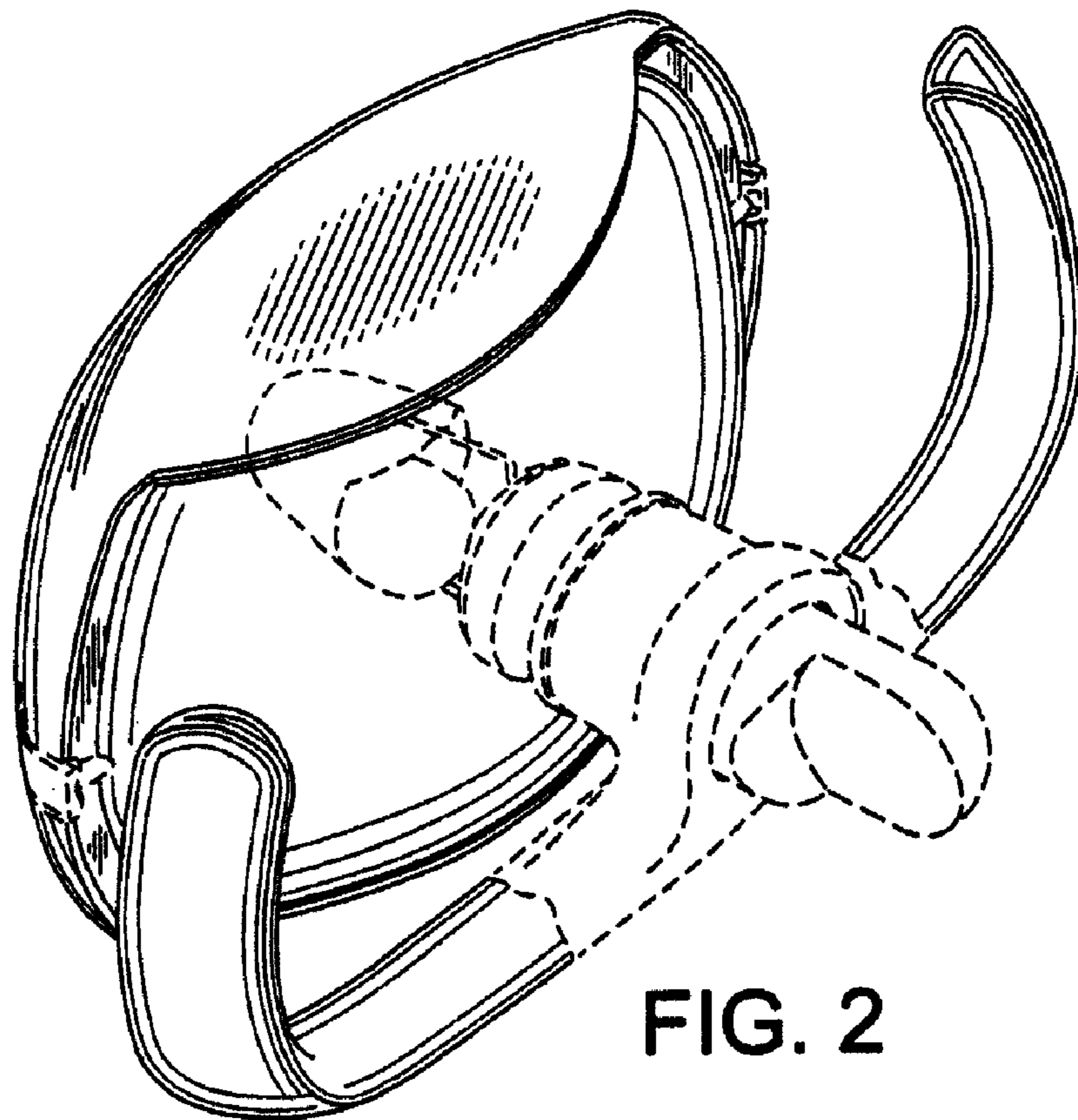
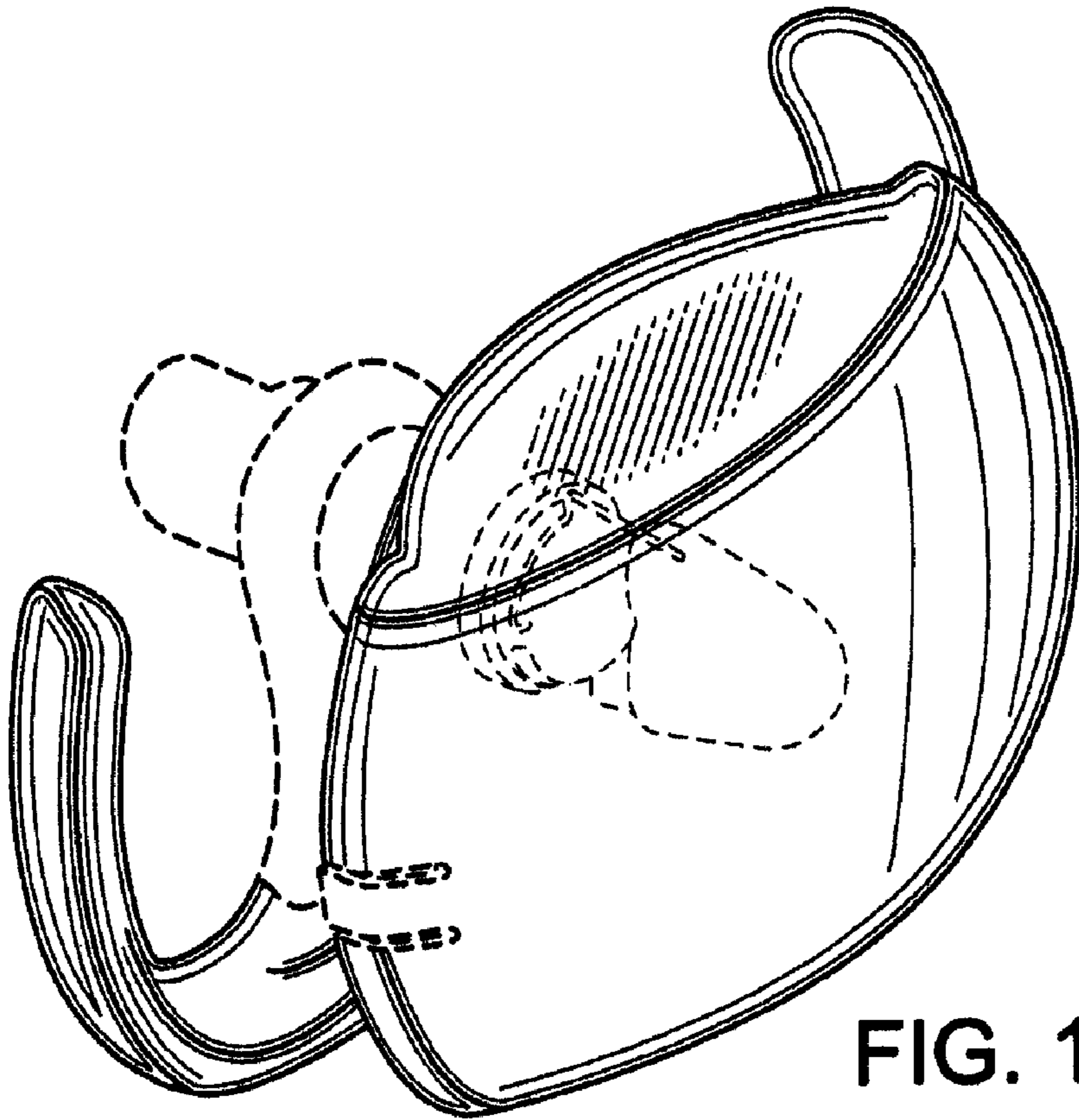
FIG. 7 is a left side view of the dental light of FIG. 1; and,

FIG. 8 is a right side view of the dental light of FIG. 1.

The broken lines shown herein are for illustrative purposes only and form no part of the claimed design.

1 Claim, 4 Drawing Sheets





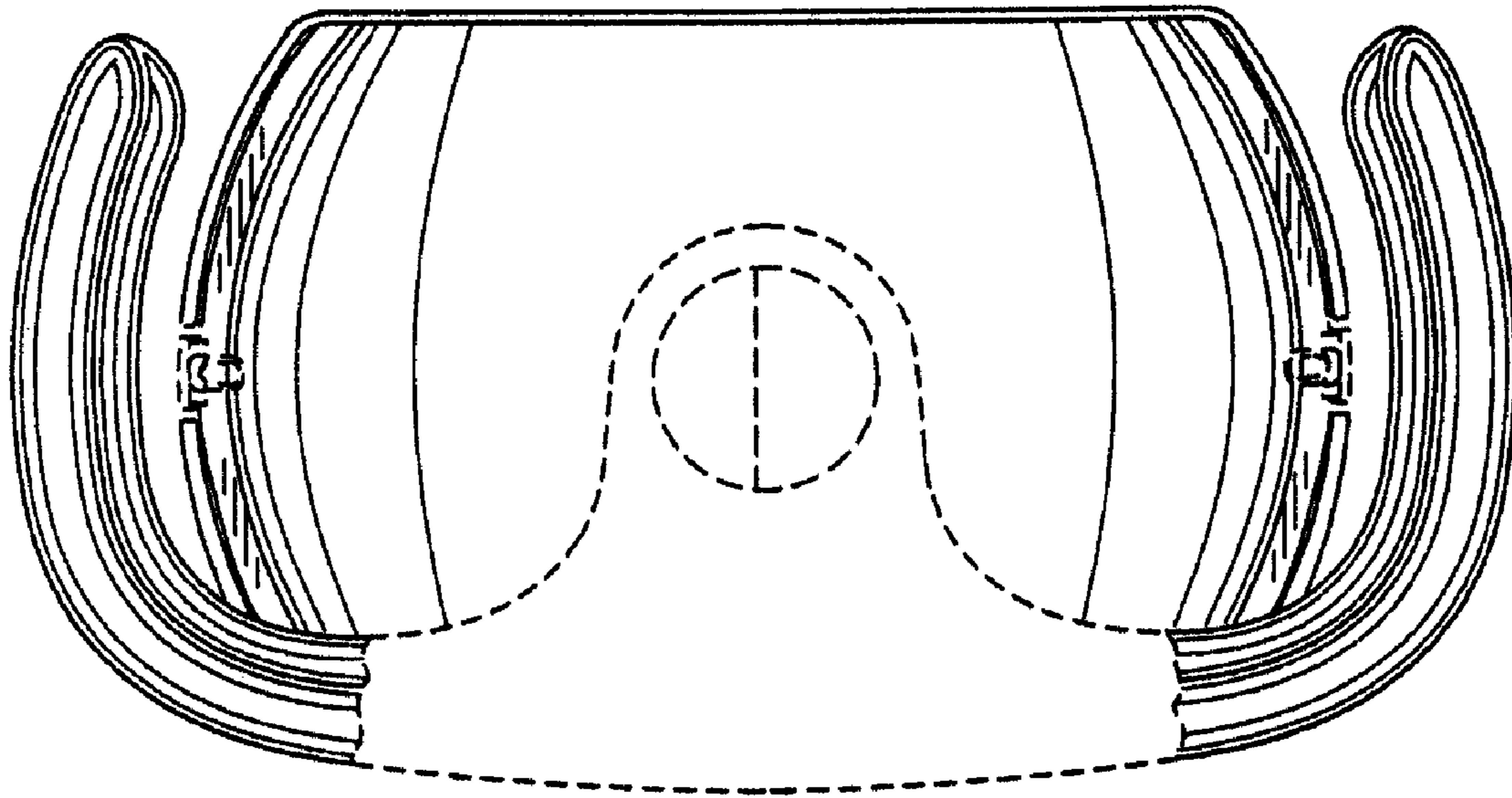


FIG. 3

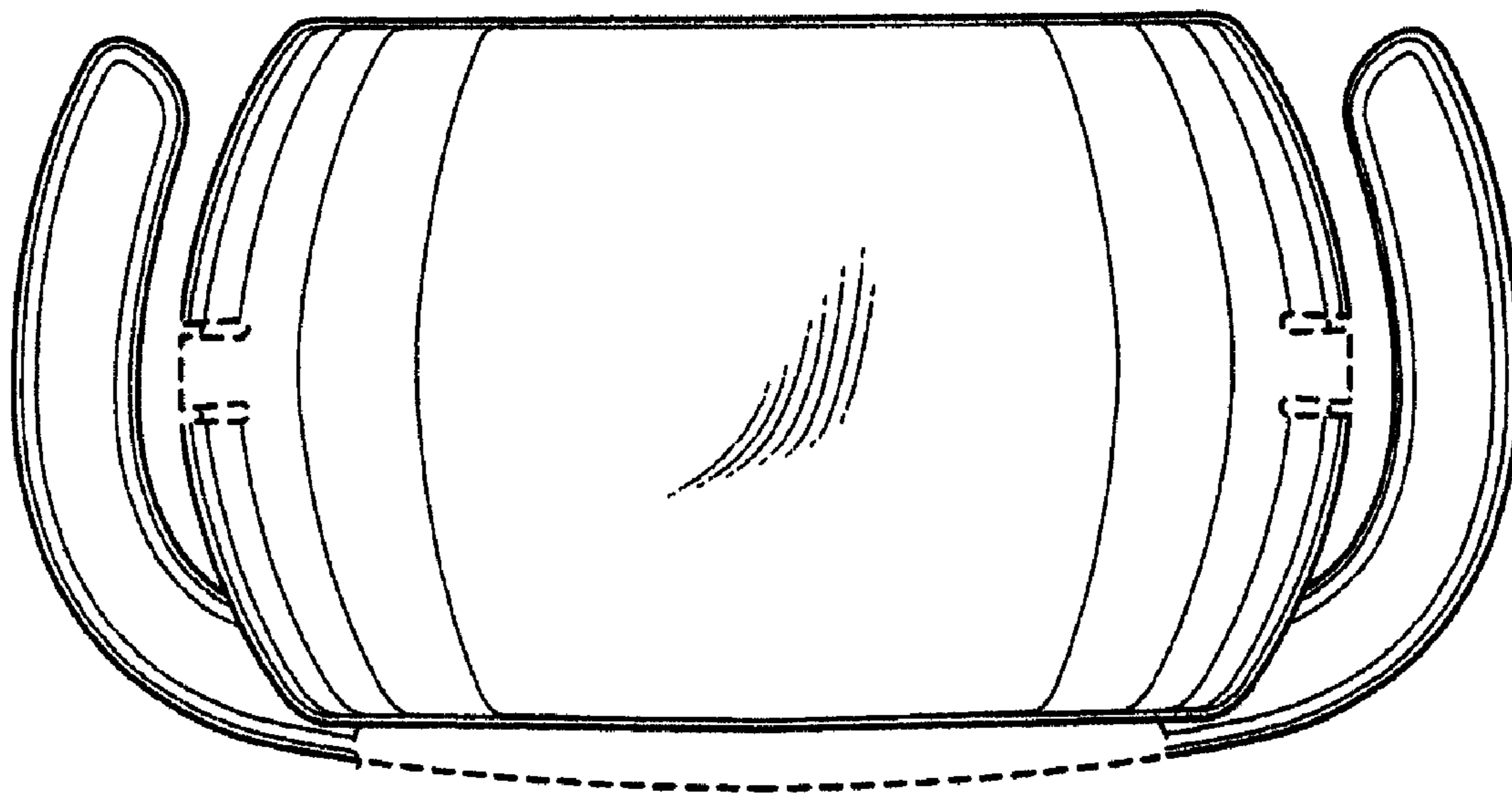


FIG. 4

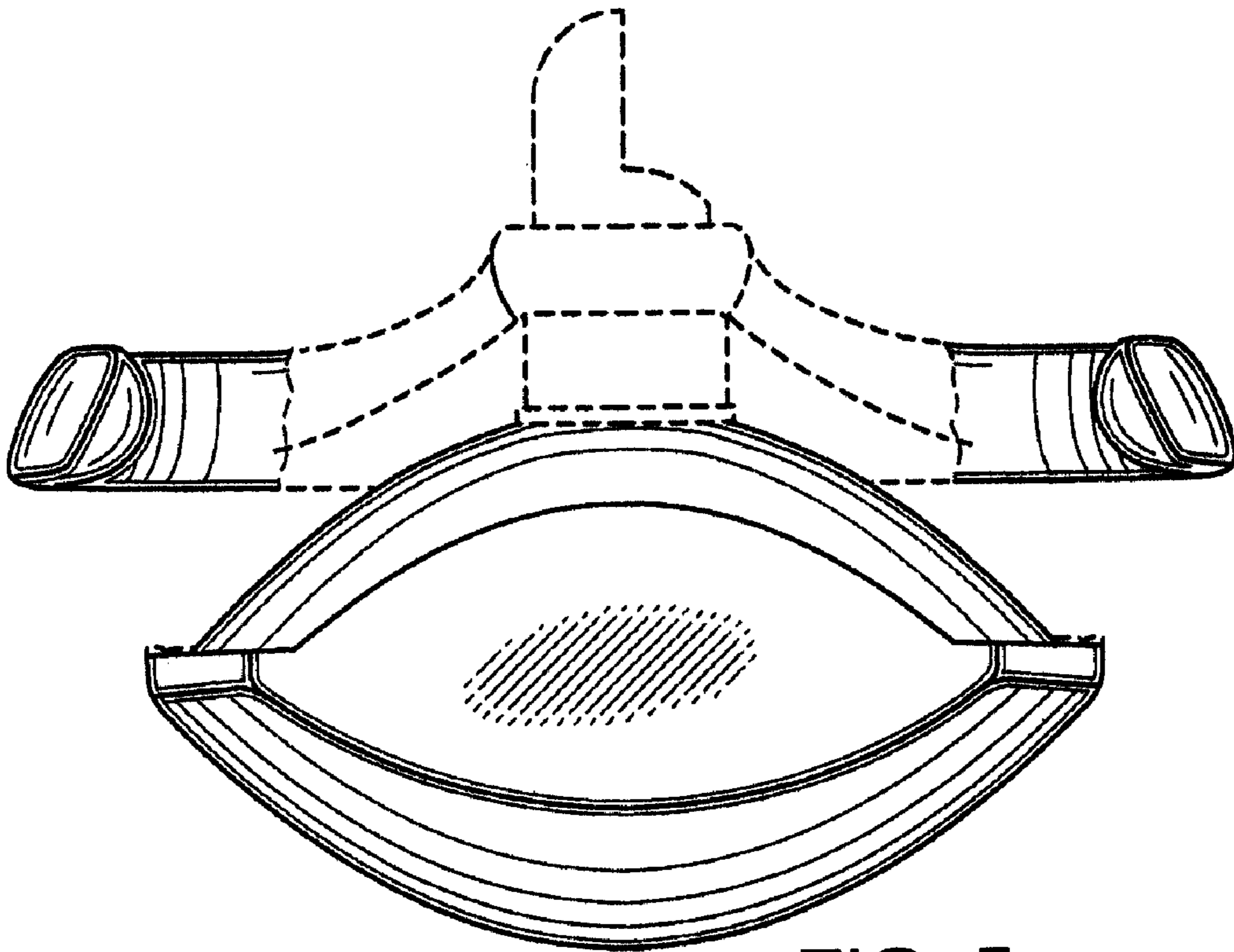


FIG. 5

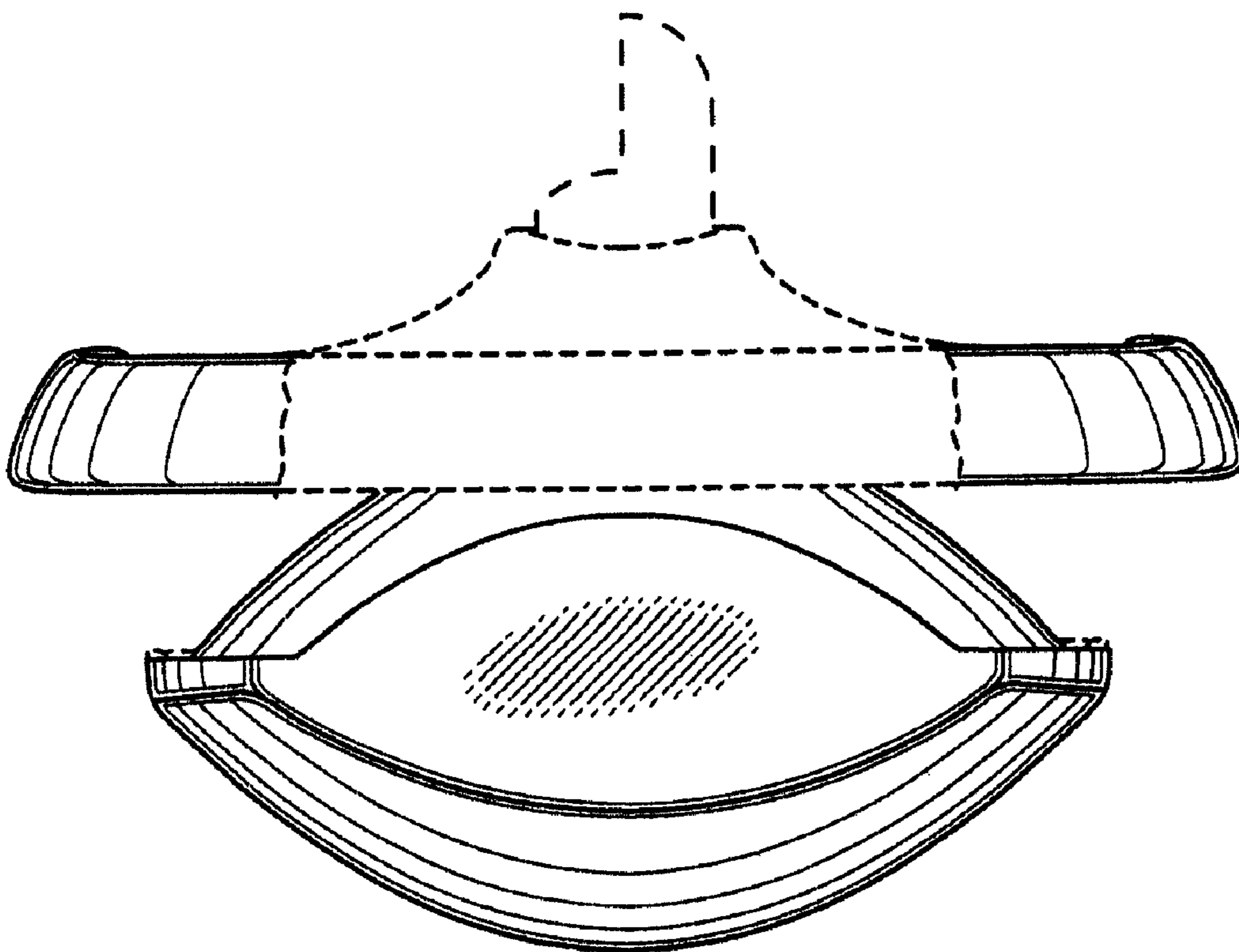


FIG. 6

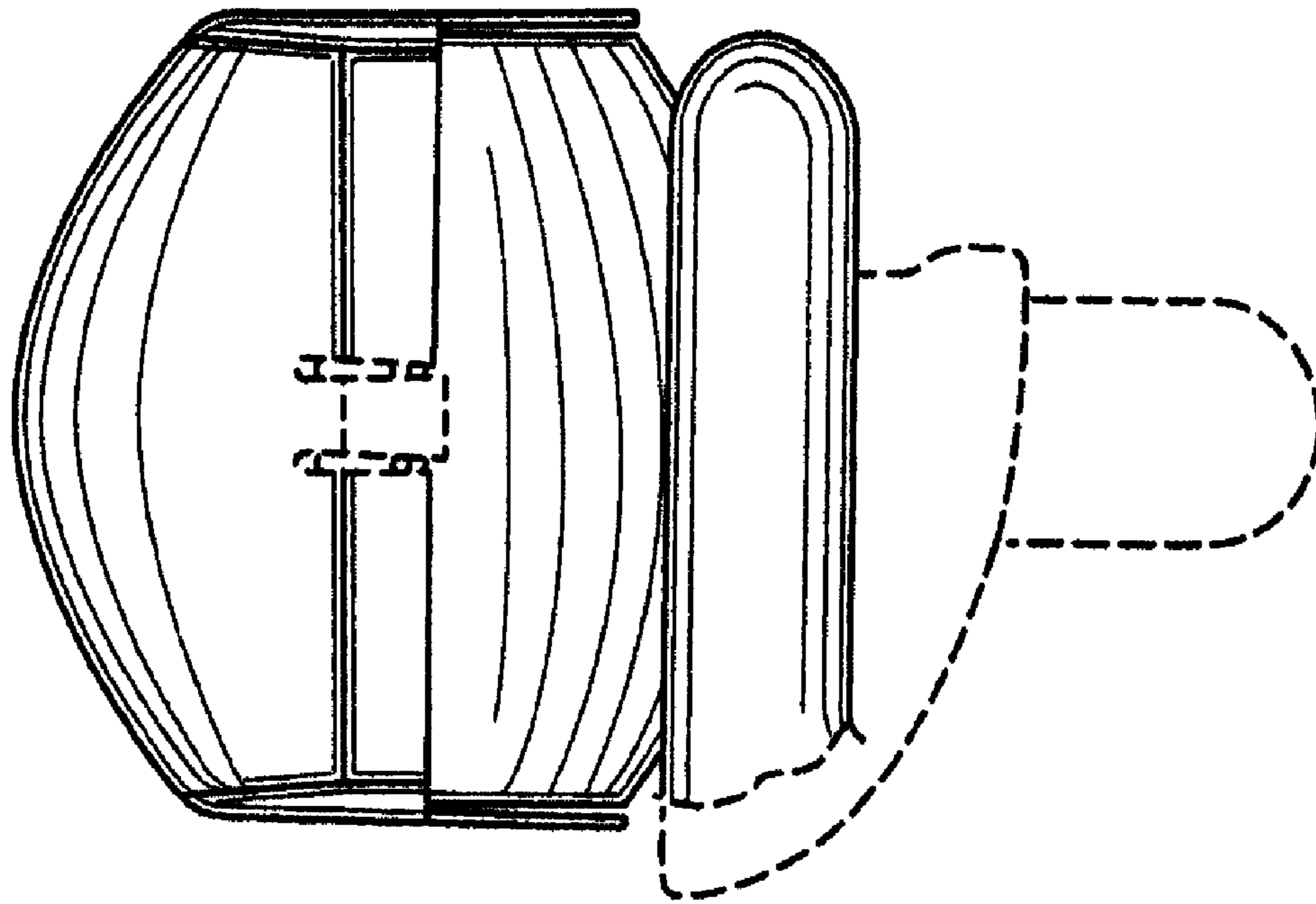


FIG. 7

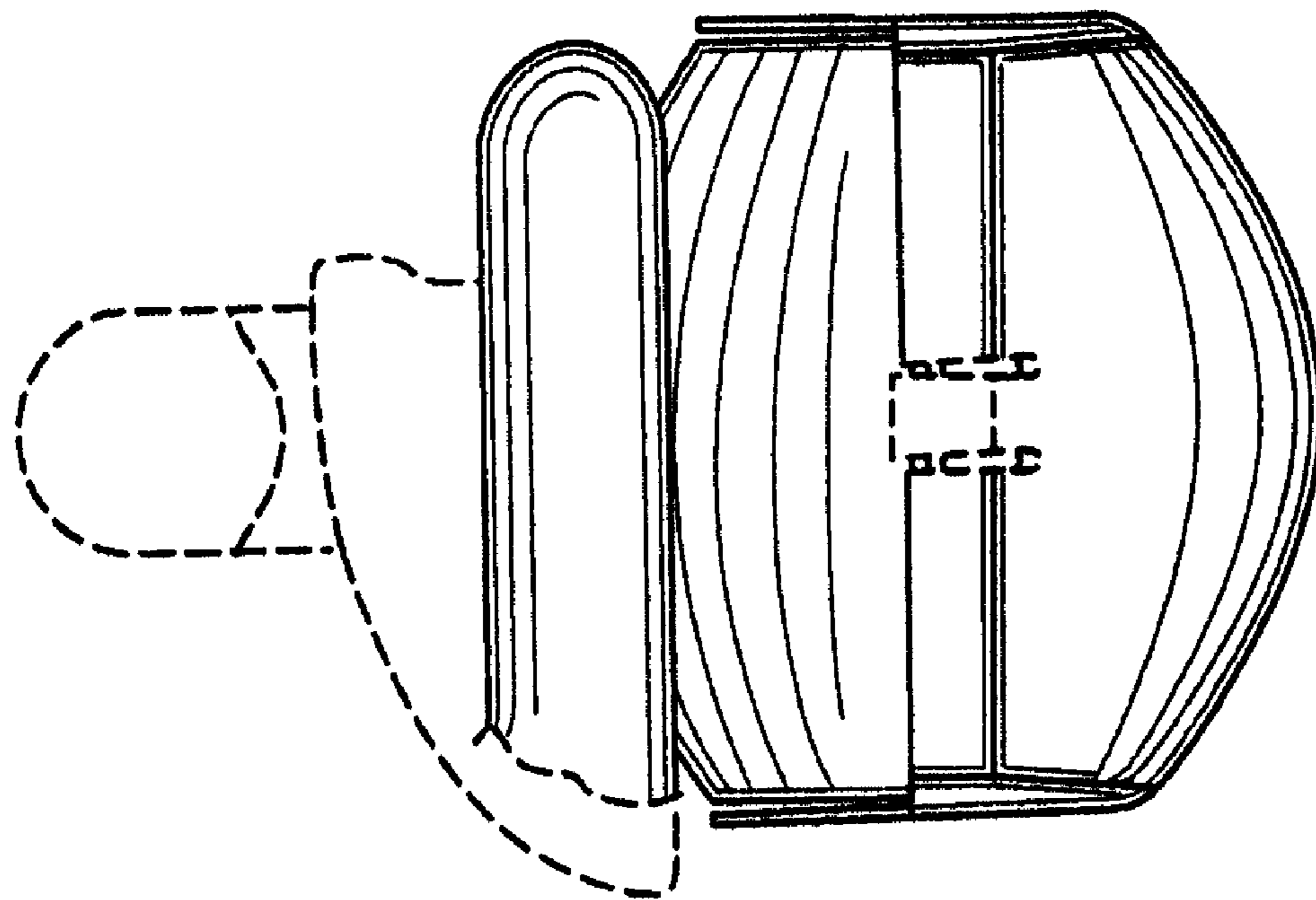


FIG. 8