



US00D607140S

(12) **United States Design Patent**  
**Farris et al.**

(10) **Patent No.:** **US D607,140 S**

(45) **Date of Patent:** **\*\* Dec. 29, 2009**

(54) **LIGHTED DISPLAY CONTAINER**

D529,220 S \* 9/2006 Izardel ..... D26/94  
D577,458 S \* 9/2008 Chan et al. .... D26/104

(76) Inventors: **Alex F. Farris**, 2134 Woodledge Dr.,  
Birmingham, AL (US) 35226; **Elizabeth**  
**M. Farris**, 2134 Woodledge Dr.,  
Birmingham, AL (US) 35226

\* cited by examiner

*Primary Examiner*—Brian N Vinson  
(74) *Attorney, Agent, or Firm*—Gerald M. Walsh; Kenneth M.  
Bush; Bush Intellectual Property Law

(\*\*) Term: **14 Years**

(21) Appl. No.: **29/326,148**

(57) **CLAIM**

(22) Filed: **Oct. 13, 2008**

We claim the ornamental design for a lighted display con-  
tainer, as shown and described.

(51) **LOC (9) Cl.** ..... **26-03**

(52) **U.S. Cl.** ..... **D26/105**

(58) **Field of Classification Search** ..... D26/1,  
D26/24, 67, 93-94, 101, 104-110, 113, 118;  
362/3, 153, 186, 217, 255, 257, 277, 317,  
362/351, 353, 362, 363, 382, 431, 433, 458,  
362/806

See application file for complete search history.

**DESCRIPTION**

FIG. 1 is a top front perspective view of a lighted display  
container showing our new design;

FIG. 2 is a front elevational view thereof, the rear and side  
views being identical to the front view;

FIG. 3 is a top view thereof;

FIG. 4 is a bottom view thereof; and,

FIG. 5 is an exploded top front perspective view thereof with  
the display container shown separated from the base.

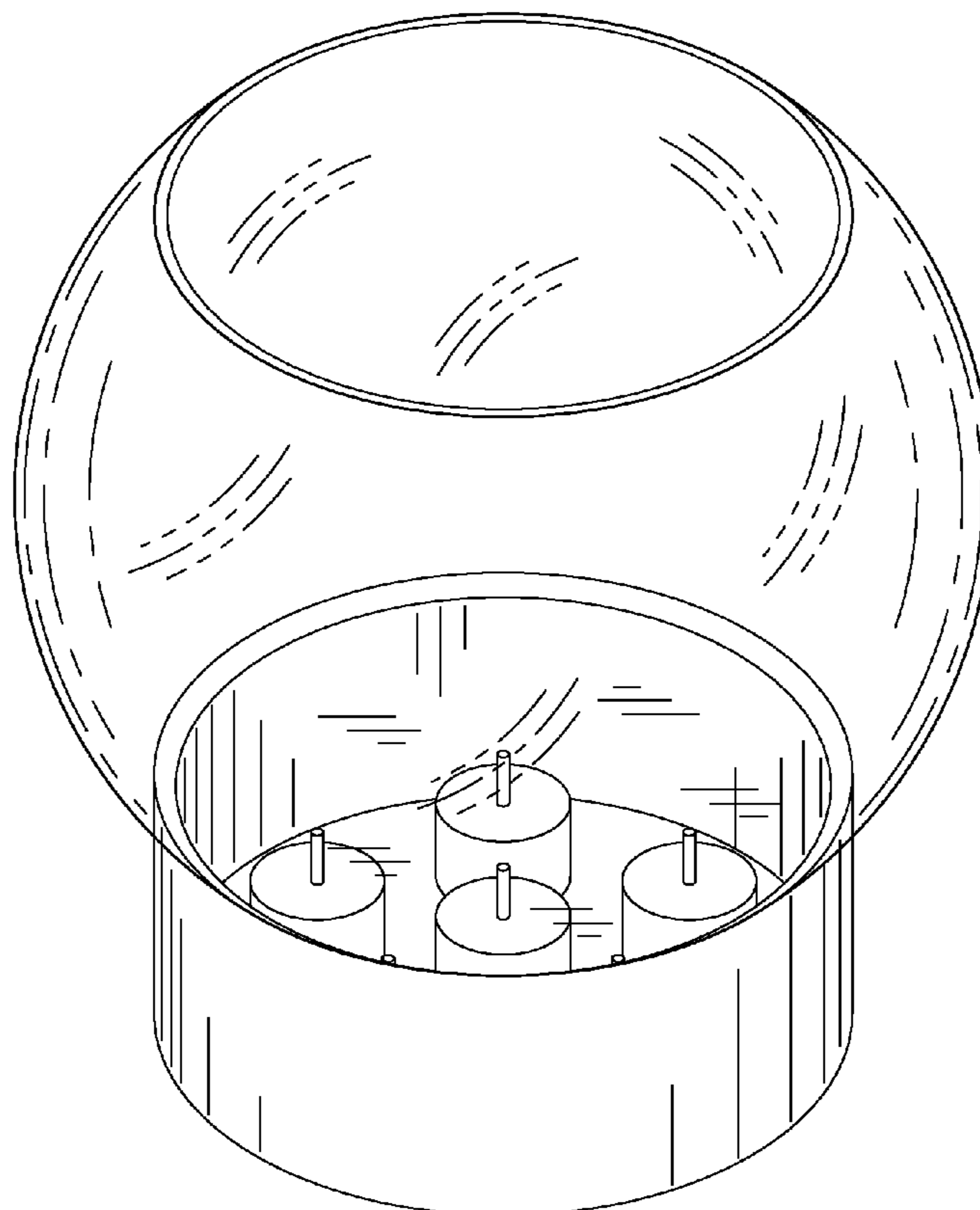
The ornamental design of a lighted display container having  
electronic candles in a base upon which the container sits. In  
an alternate embodiment the container can contain reflective  
glass marbles to reflect the light from the electronic candles.

(56) **References Cited**

U.S. PATENT DOCUMENTS

- D238,960 S \* 2/1976 Leung ..... D26/104
- D246,202 S \* 10/1977 Oppermann ..... D26/104
- D271,241 S \* 11/1983 Vrignaud ..... D26/104
- D322,489 S \* 12/1991 Parker ..... D26/104
- D392,764 S \* 3/1998 Balish, Jr. .... D26/105
- D468,044 S \* 12/2002 Lam ..... D26/104

**1 Claim, 5 Drawing Sheets**



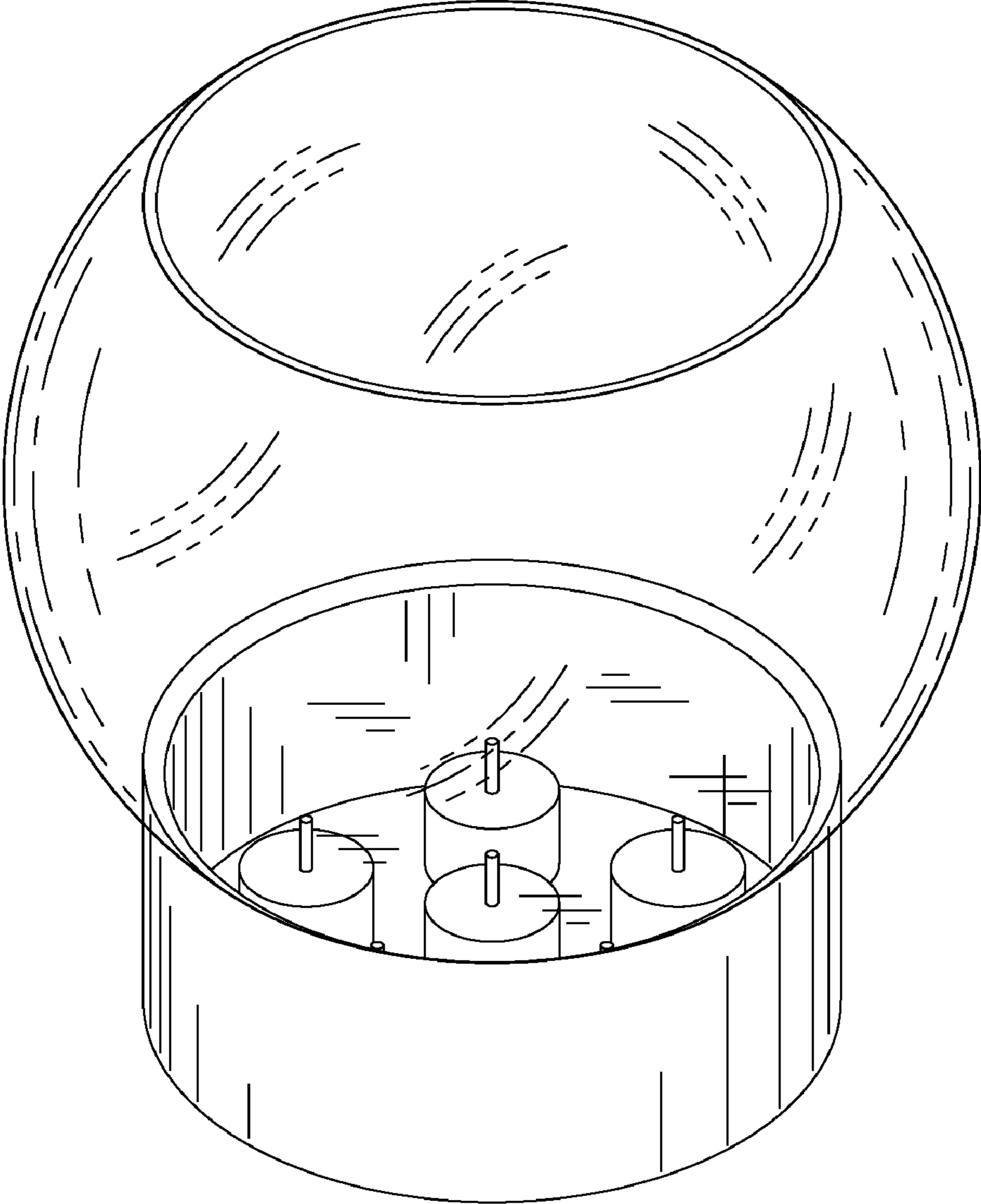


FIG. 1

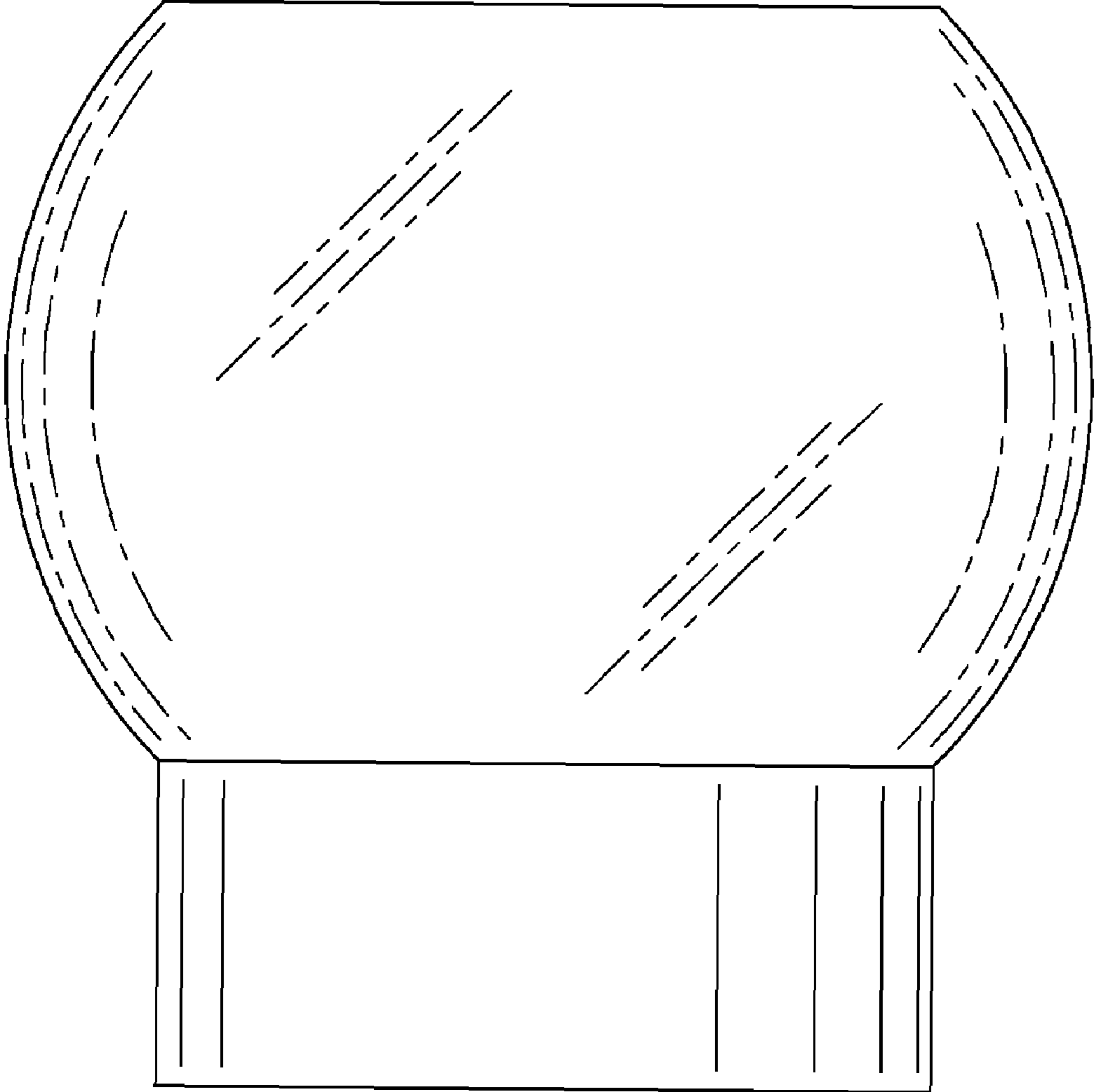


FIG. 2

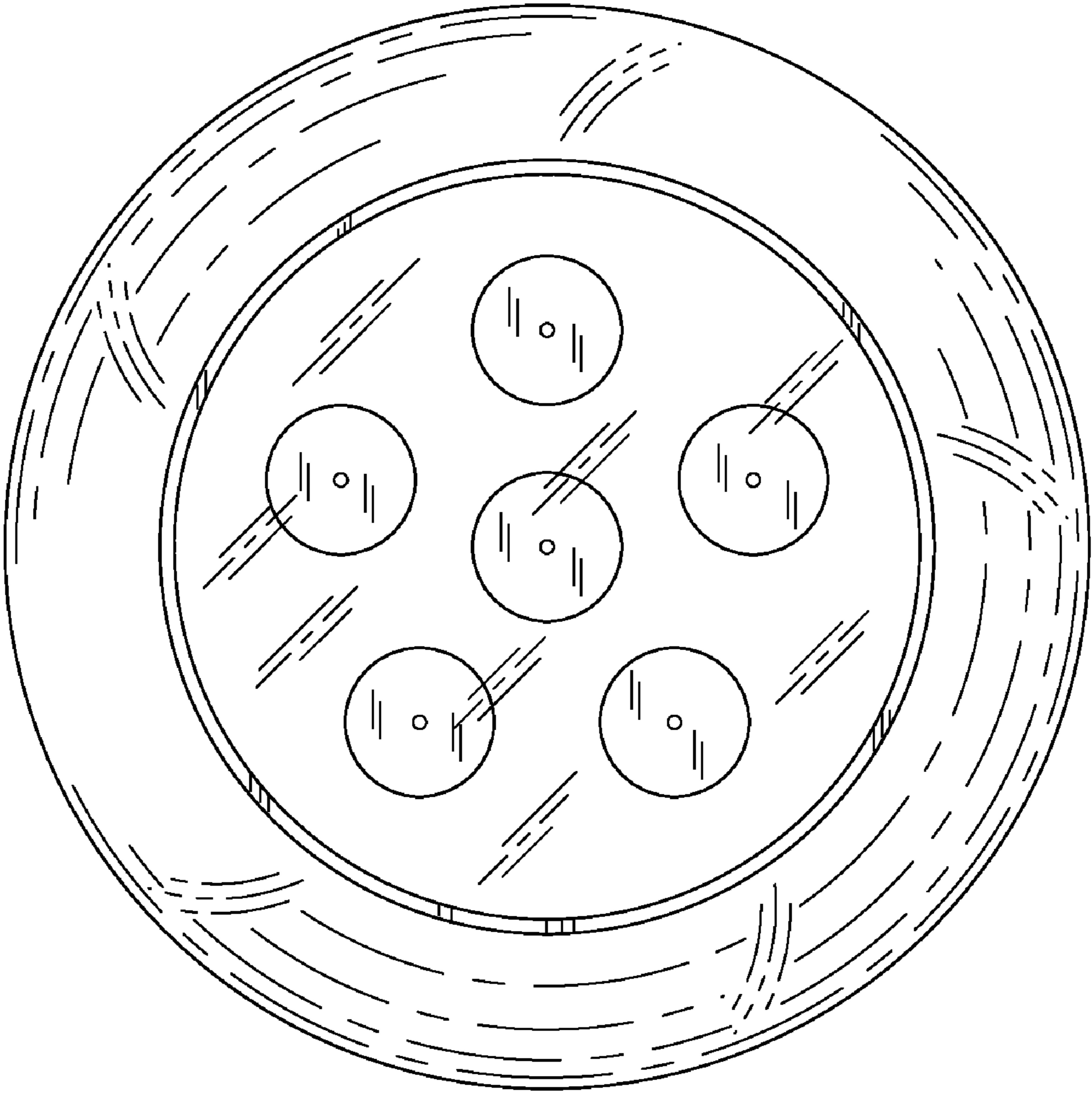


FIG. 3

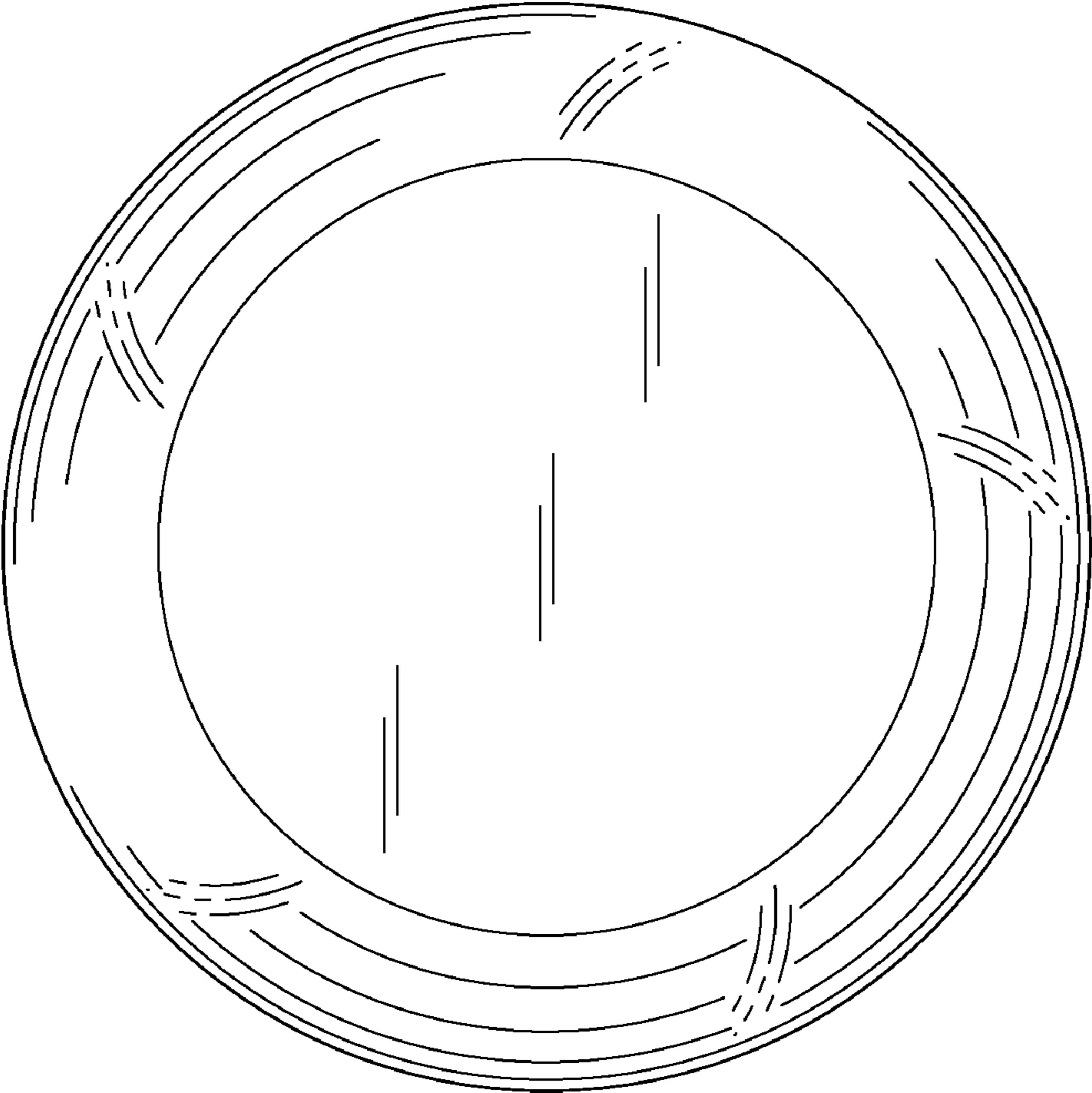


FIG. 4

FIG. 5

