



US00D607138S

(12) **United States Design Patent**  
**Pickett**

(10) **Patent No.:** **US D607,138 S**

(45) **Date of Patent:** **\*\* Dec. 29, 2009**

(54) **LIGHT FIXTURE**

(76) Inventor: **Mark Pickett**, 1419 E. Palm St.,  
Altadena, CA (US) 91001

(\*\*) Term: **14 Years**

(21) Appl. No.: **29/335,403**

(22) Filed: **Apr. 15, 2009**

(51) **LOC (9) Cl.** ..... **26-03**

(52) **U.S. Cl.** ..... **D26/89; D26/128**

(58) **Field of Classification Search** ..... D26/59,  
D26/72, 80-91, 128; 362/147, 404, 453-456  
See application file for complete search history.

(56) **References Cited**

U.S. PATENT DOCUMENTS

D87,863	S	*	10/1932	Ainsworth	.....	D26/88
D95,202	S	*	4/1935	Glatthar et al.	.....	D26/88
2,132,784	A	*	10/1938	Guth	.....	362/404
D178,212	S	*	7/1956	Schreckengost	.....	D26/89
D232,050	S	*	7/1974	Gore et al.	.....	D26/88
D478,185	S	*	8/2003	Brunner	.....	D26/128
D556,939	S	*	12/2007	Gajewski	.....	D26/89
D566,321	S	*	4/2008	Pickett	.....	D26/89
D567,429	S	*	4/2008	Pickett	.....	D26/89

OTHER PUBLICATIONS

Copenhagen Semi Flush Mount #7120-2C shown on p. 91 of the AF Lighting catalog © 2007.\*  
Schoolhouse Globe Light Kit from Hunter Fans. SKU#HTF1278. Downloaded from csnlighting.com Sep. 13, 2009.\*

\* cited by examiner

*Primary Examiner*—Clare E Heflin

(74) *Attorney, Agent, or Firm*—Parsons & Goltry; Michael W. Goltry; Robert A. Parsons

(57) **CLAIM**

The ornamental design for a light fixture, as shown and described.

**DESCRIPTION**

FIG. 1 is top perspective view of a light fixture showing my new design;

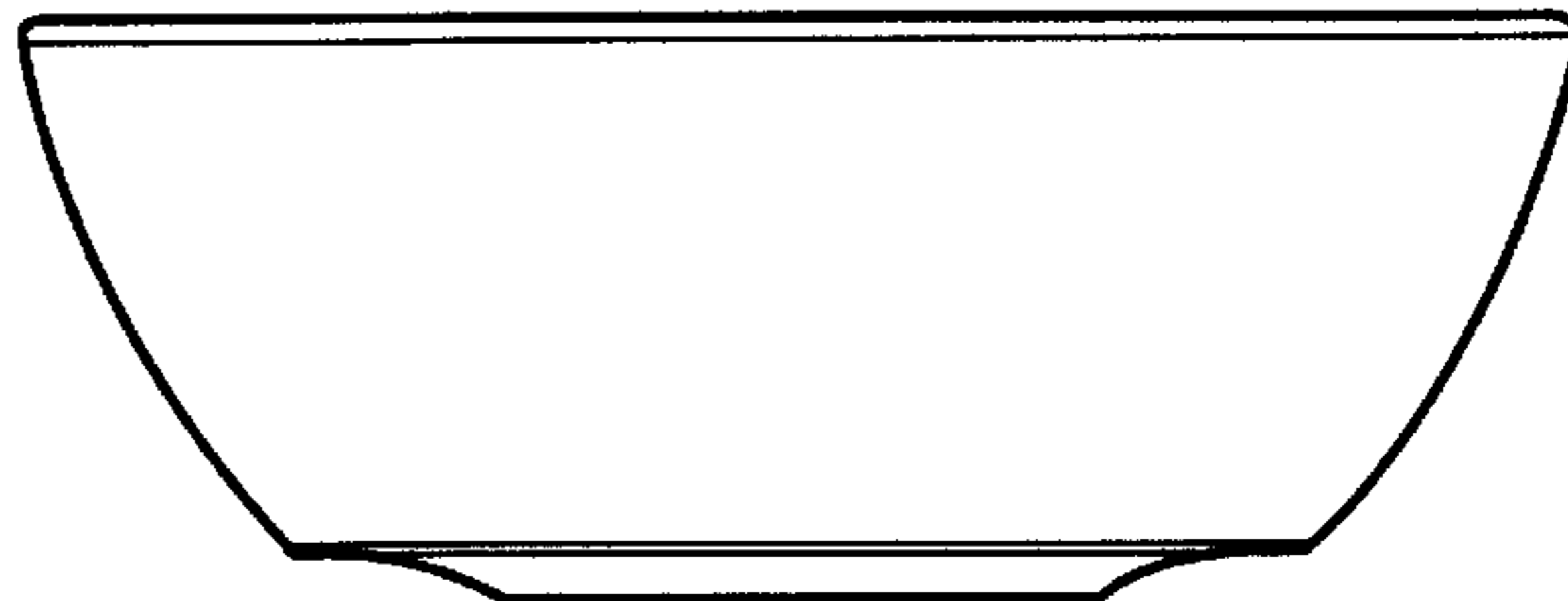
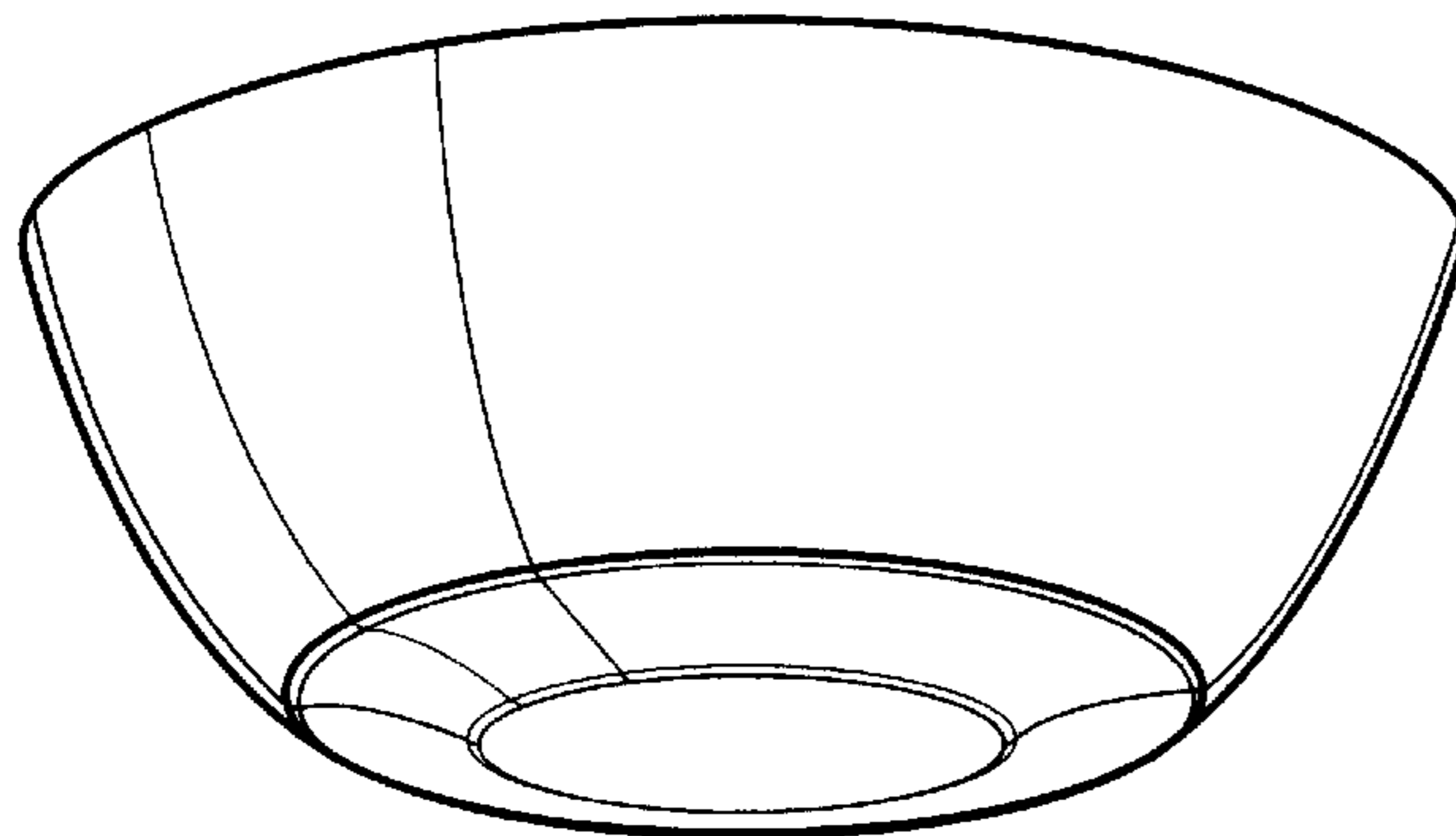
FIG. 2 is a bottom perspective view thereof;

FIG. 3 is a front elevation view thereof, the rear elevation view thereof, the right side elevation view thereof, and the left side elevation view thereof being substantially the same thereof;

FIG. 4 is a top plan view thereof; and,

FIG. 5 is a bottom plan view thereof.

**1 Claim, 5 Drawing Sheets**



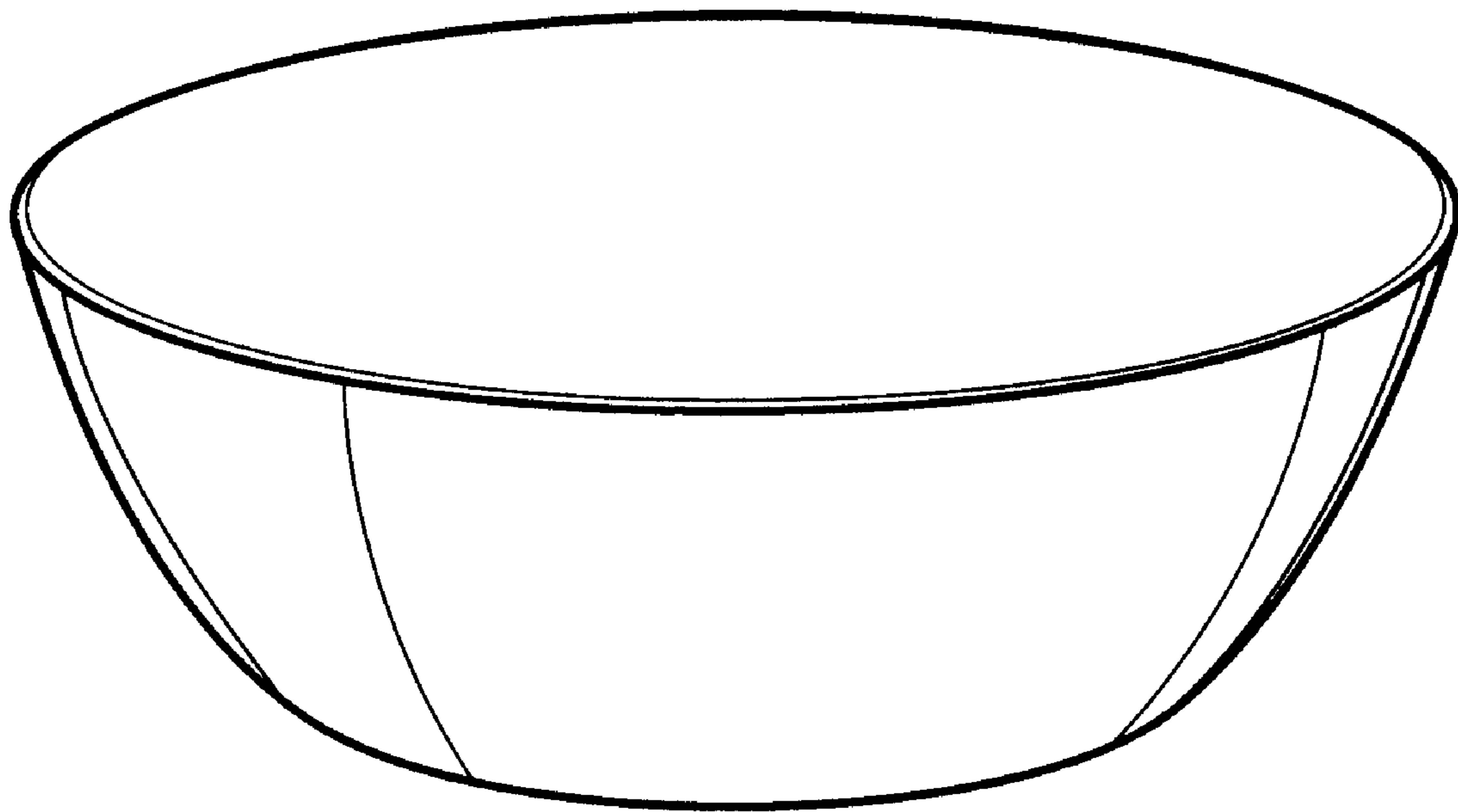


FIG. 1

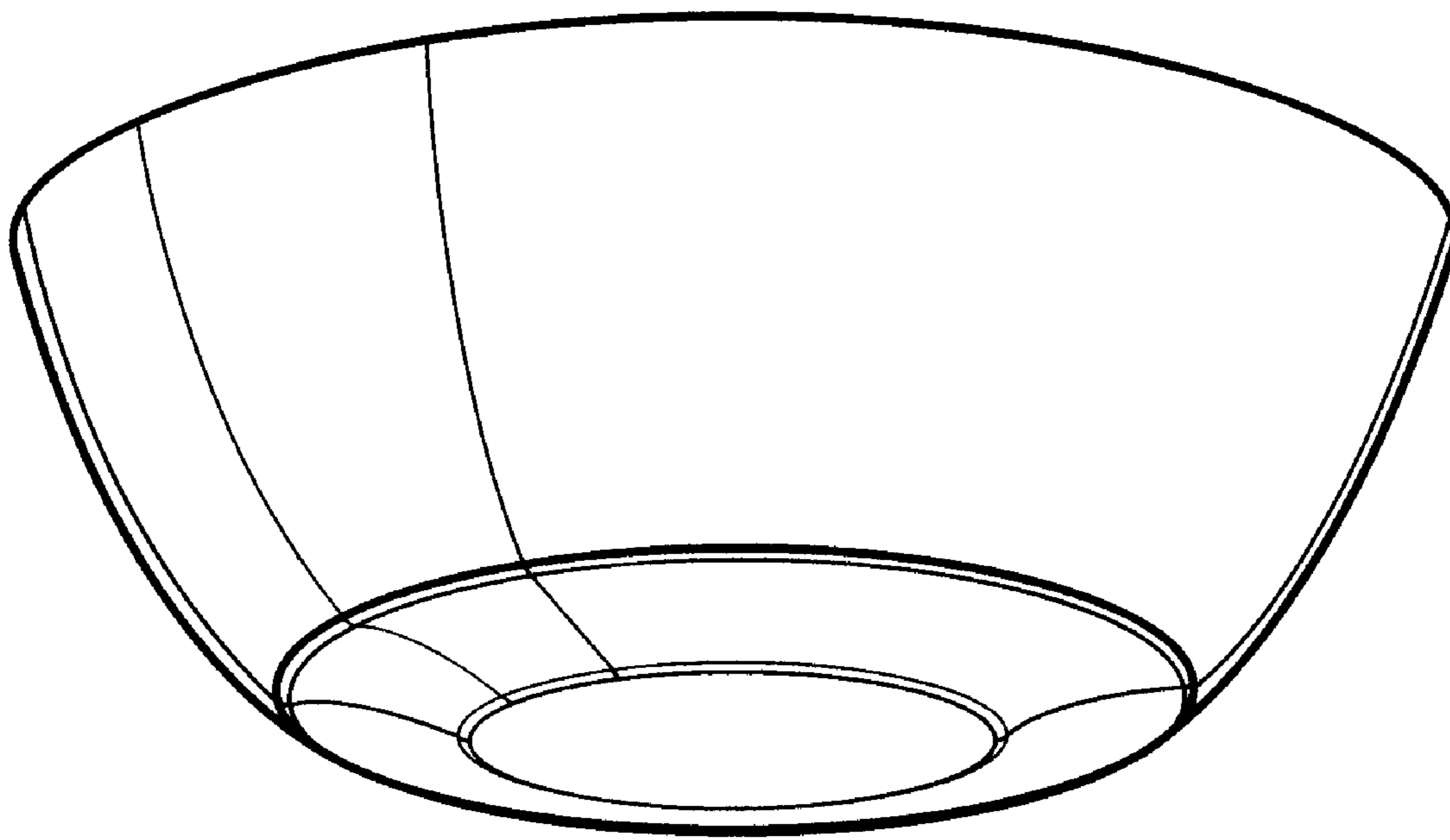


FIG. 2

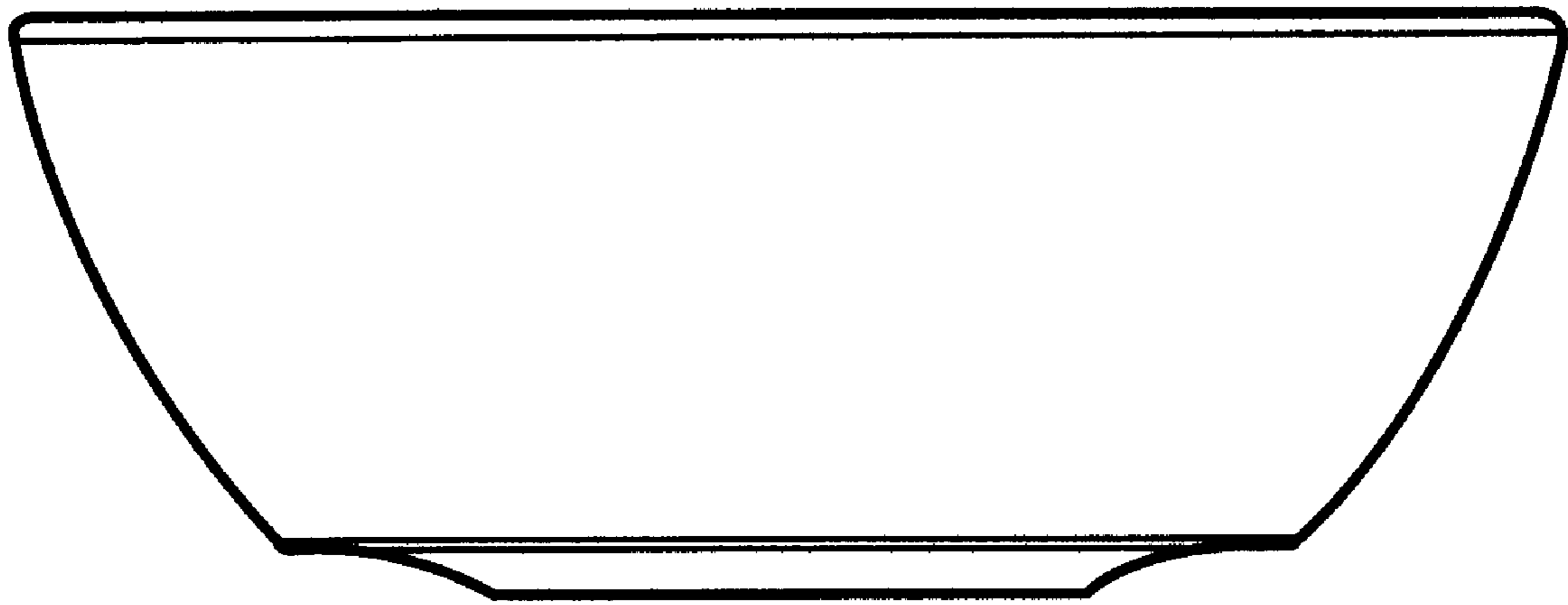
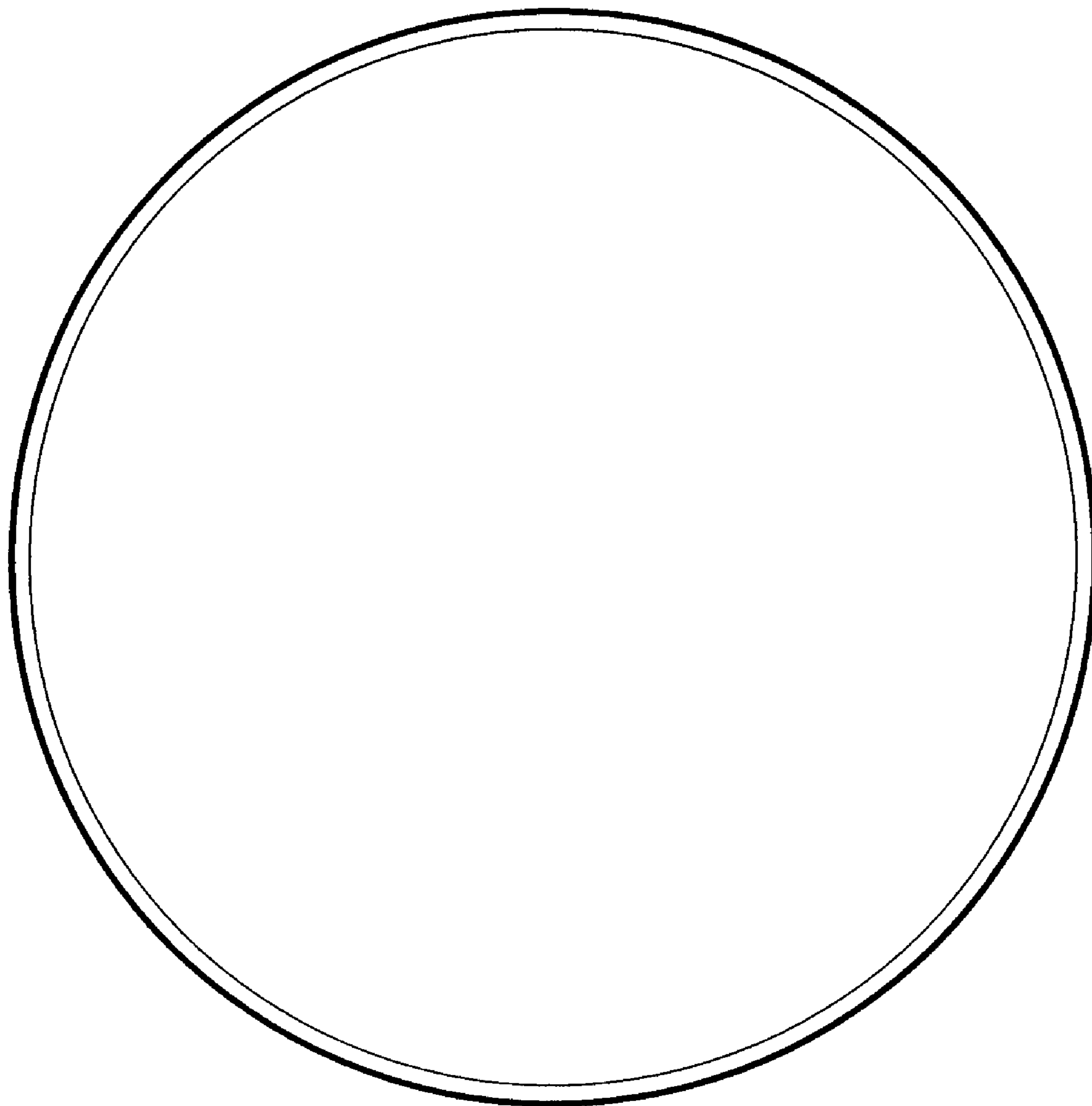


FIG. 3



**FIG. 4**

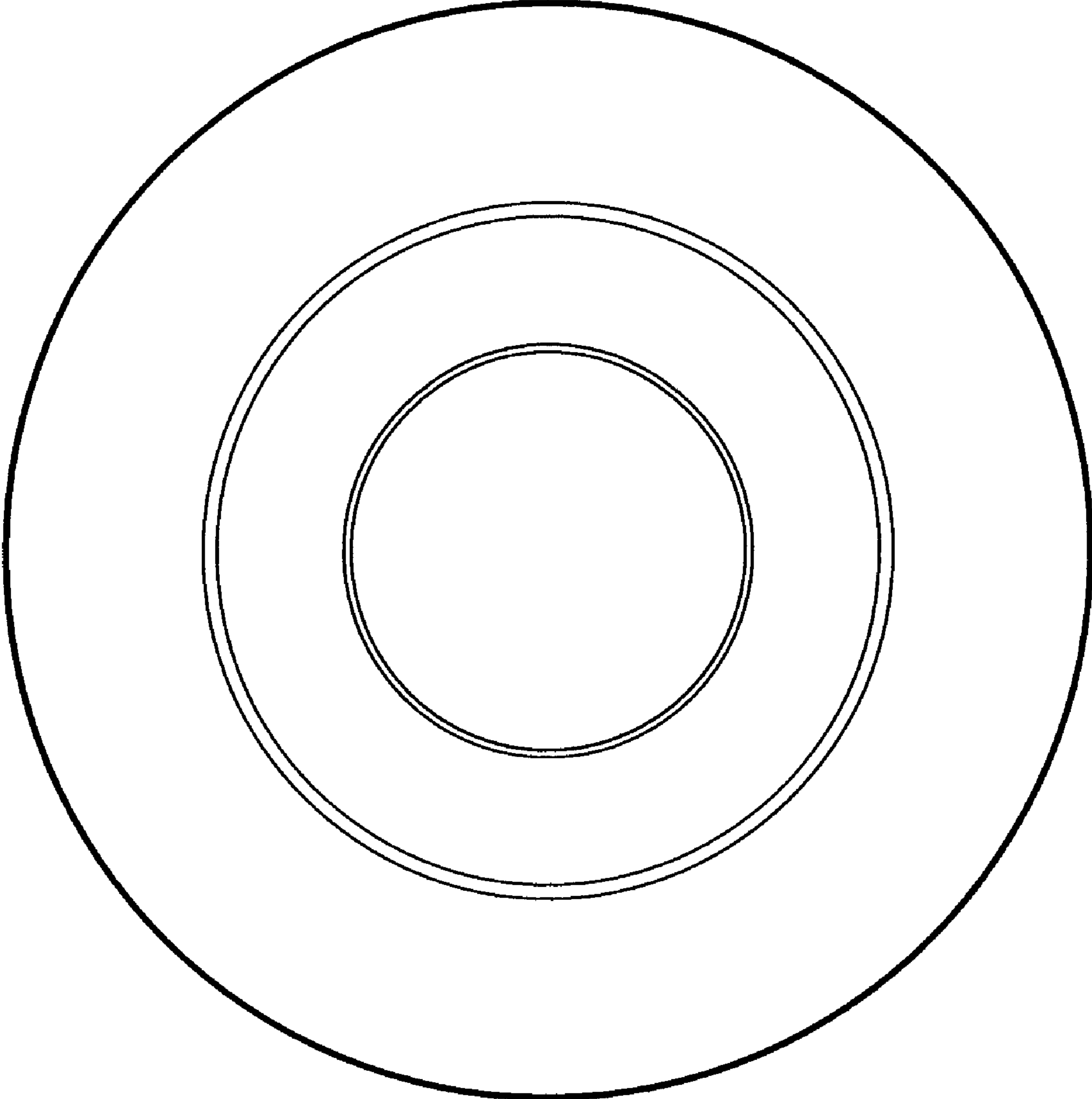


FIG. 5