



US00D607135S

(12) **United States Design Patent**
Levine et al.

(10) **Patent No.:** **US D607,135 S**
(45) **Date of Patent:** **** Dec. 29, 2009**

(54) **LIGHTING DEVICE**

(75) Inventors: **Jonathan E Levine**, 419 Park Ave.
South, Suite 505, New York, NY (US)
10016; **Tang Kong Kin**, N.T. (HK)

(73) Assignee: **Jonathan E Levine**, New York, NY (US)

(**) Term: **14 Years**

(21) Appl. No.: **29/331,161**

(22) Filed: **Jan. 21, 2009**

(51) **LOC (9) Cl.** **26-03**

(52) **U.S. Cl.** **D26/80; D26/61**

(58) **Field of Classification Search** D26/24,
D26/36, 37, 44, 60, 61, 63, 72, 80, 138; 362/98,
362/99, 101, 182, 202, 267, 473, 477, 515
See application file for complete search history.

(56) **References Cited**

U.S. PATENT DOCUMENTS

D104,233 S	4/1937	Arenberg	
D241,972 S *	10/1976	Nau	D26/44
D294,302 S *	2/1988	Littrell et al.	D26/80
D366,337 S	1/1996	Yuen	
D412,040 S *	7/1999	Hudak et al.	D26/87
6,588,920 B2	7/2003	Agro	
D483,511 S *	12/2003	Lay et al.	D26/80
D484,270 S	12/2003	Yiu	
D496,479 S *	9/2004	Ashfield	D26/37
D532,920 S *	11/2006	Echito	D26/80
7,218,463 B1	5/2007	Arsenault	
D544,117 S	6/2007	Coushaine	
D544,618 S	6/2007	Coushaine	
D544,976 S *	6/2007	Lui	D26/46
D548,384 S *	8/2007	Komar	D26/60
D551,795 S	9/2007	Compton et al.	
D561,925 S	2/2008	Levine	

D567,987 S	4/2008	Khubani
D576,334 S	9/2008	Levine
D576,338 S	9/2008	Levine
D578,246 S	10/2008	Levine
D581,571 S	11/2008	Levine
D581,572 S	11/2008	Levine
D585,152 S	1/2009	Levine
2006/0250789 A1	11/2006	Coushaine

* cited by examiner

Primary Examiner—Clare E Heflin

(74) *Attorney, Agent, or Firm*—Theodore W. Baker

(57) **CLAIM**

We claim the ornamental design for a lighting device, as shown and described.

DESCRIPTION

FIG. 1 is a perspective view of a lighting device showing our new design, as viewed from the top and one side.

FIG. 2 is a first side elevation view of the lighting device of FIG. 1.

FIG. 3 is a second side elevation view of the lighting device of FIG. 1.

FIG. 4 is a top plan view of the lighting device of FIG. 1.

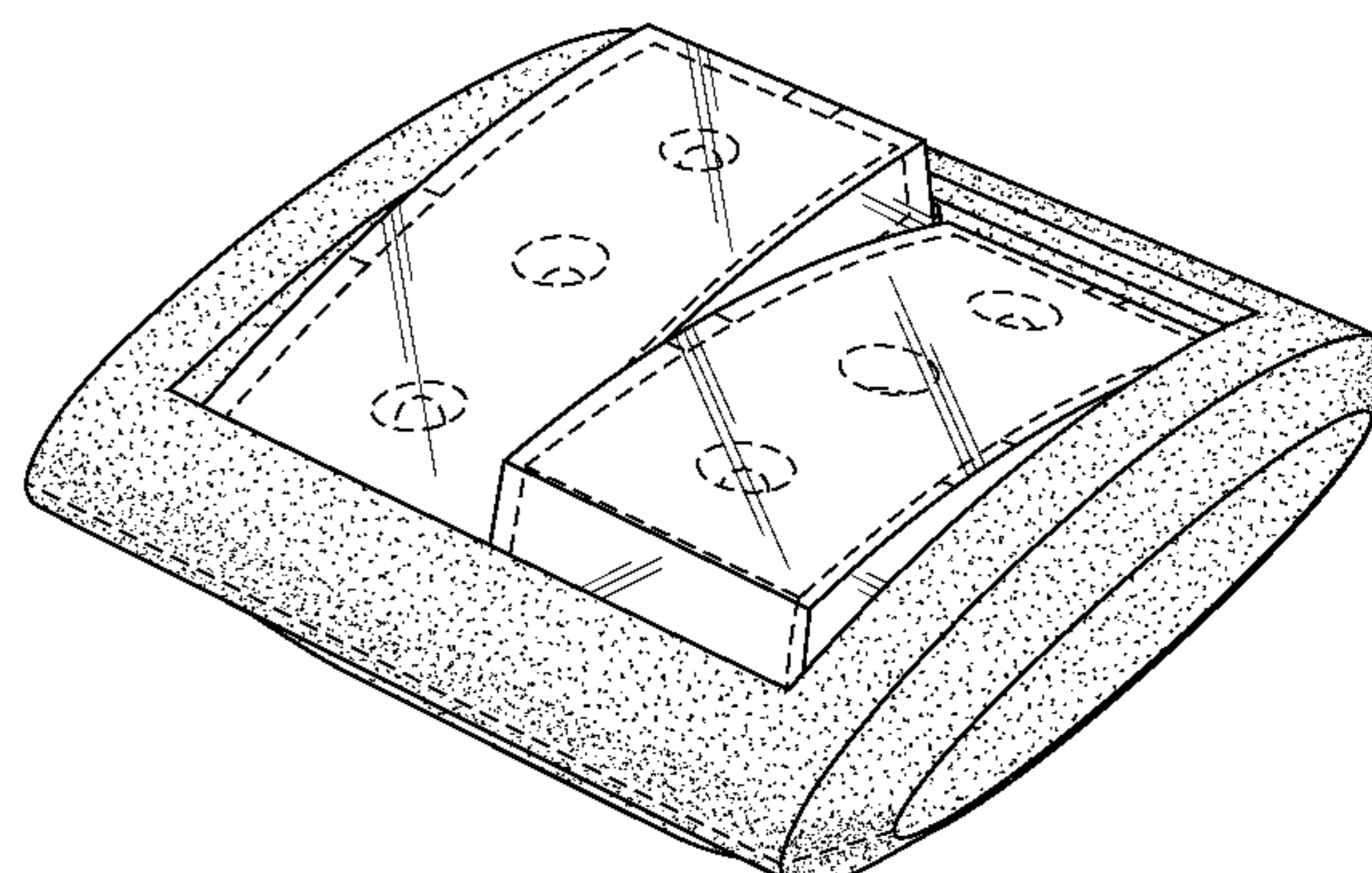
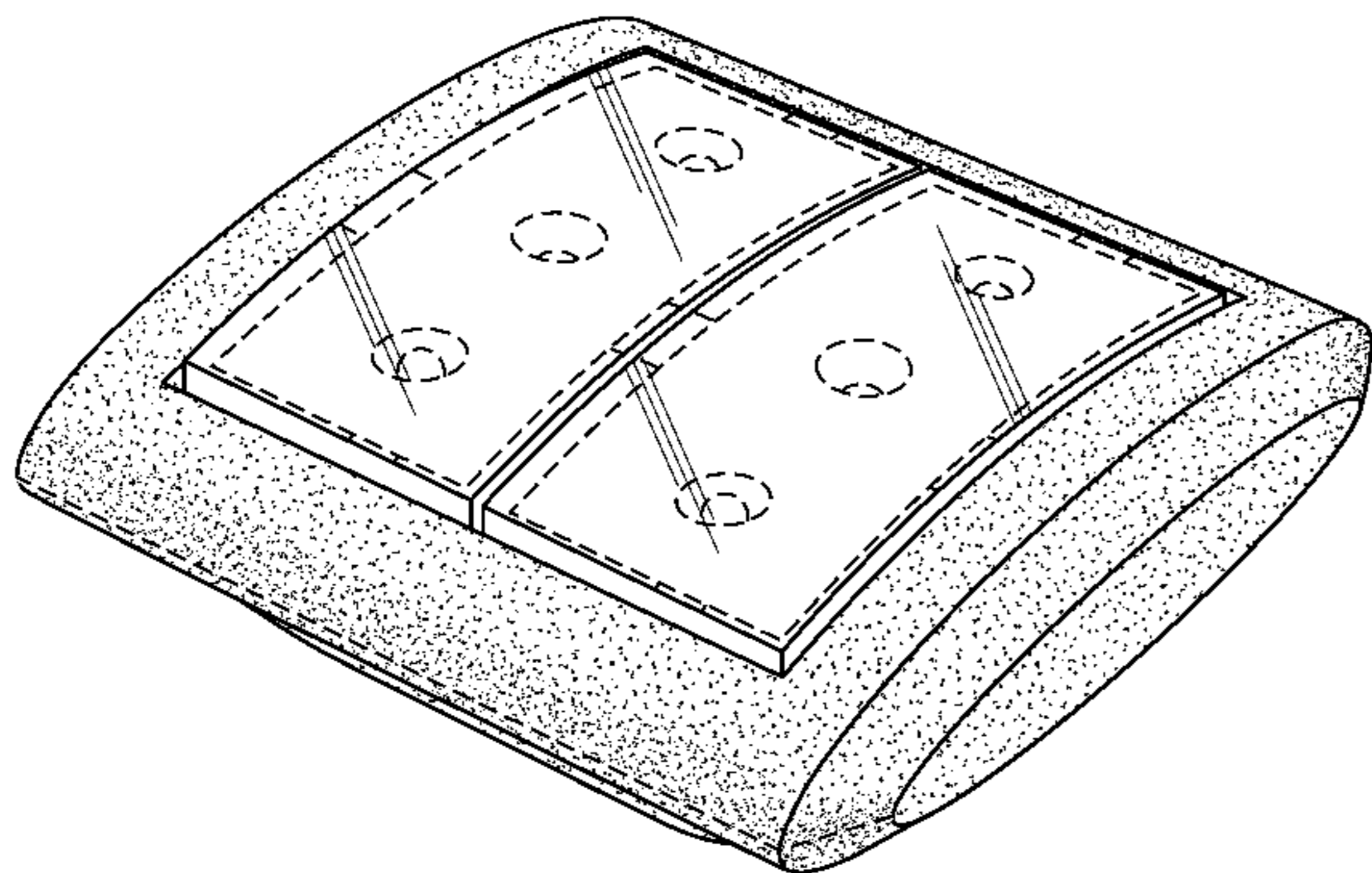
FIG. 5 is a front elevation view of the lighting device of FIG. 1, the back being identical thereto.

FIG. 6 is a bottom plan view of the lighting device of FIG. 1; and,

FIG. 7 is a perspective view of the lighting device of FIG. 1 with the light heads tilted in opposite directions, as viewed from the top and one side.

The details shown in broken lines illustrate portions of the lighting device that form no part of the claimed design.

1 Claim, 3 Drawing Sheets



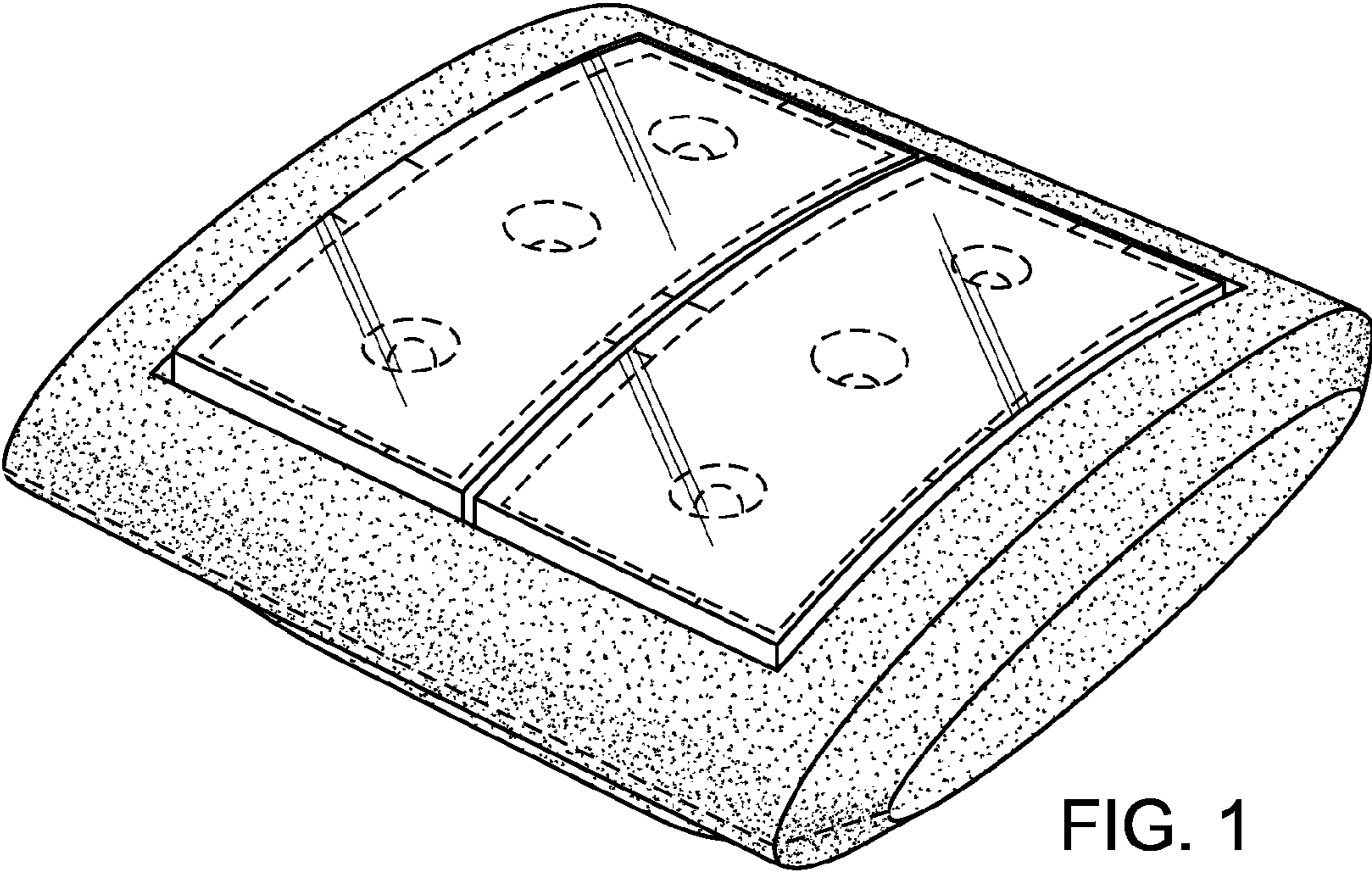


FIG. 1

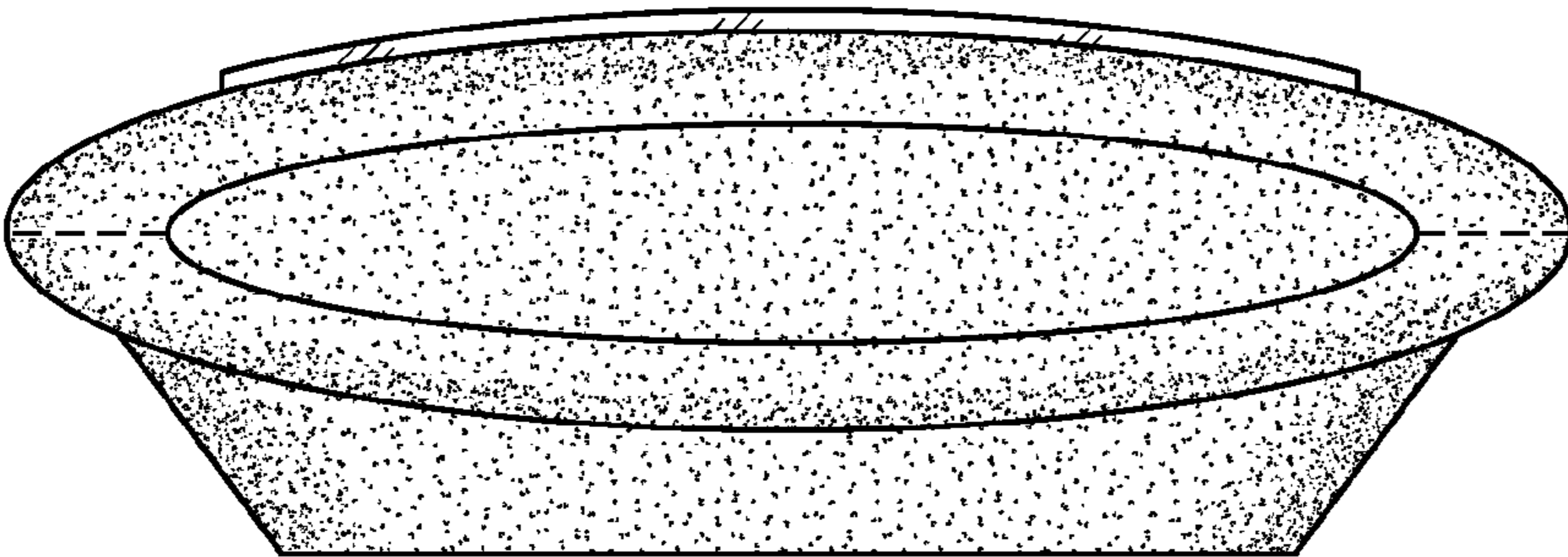


FIG. 2

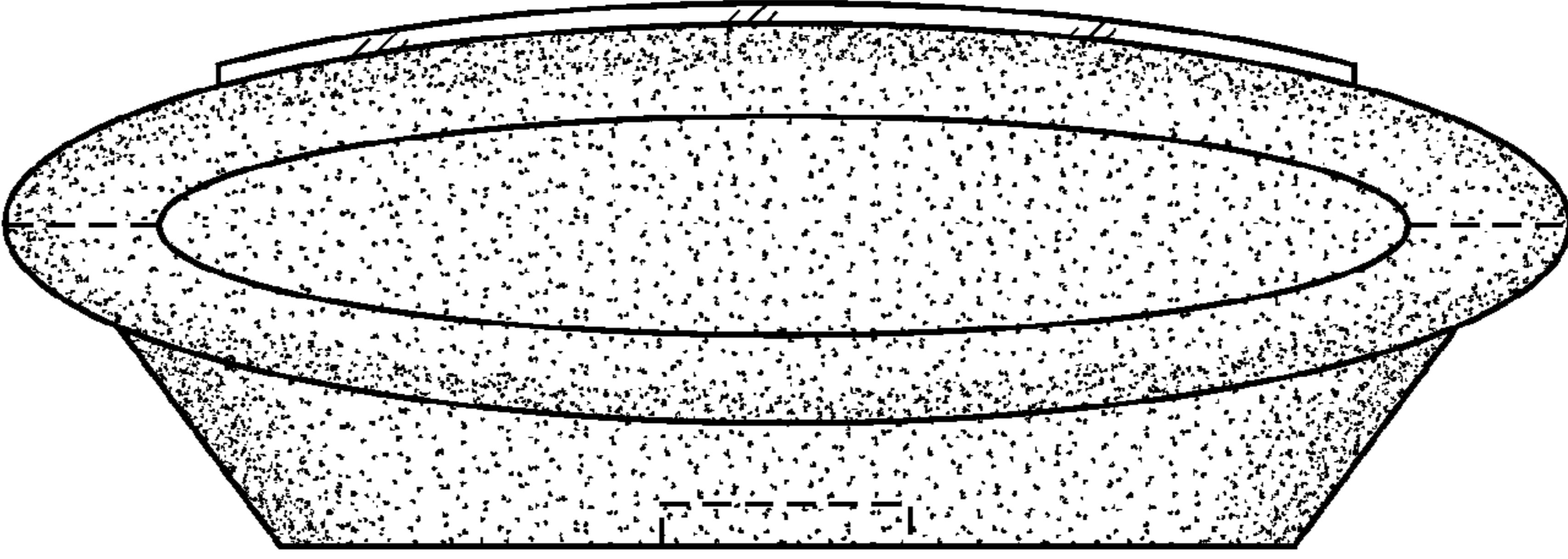


FIG. 3

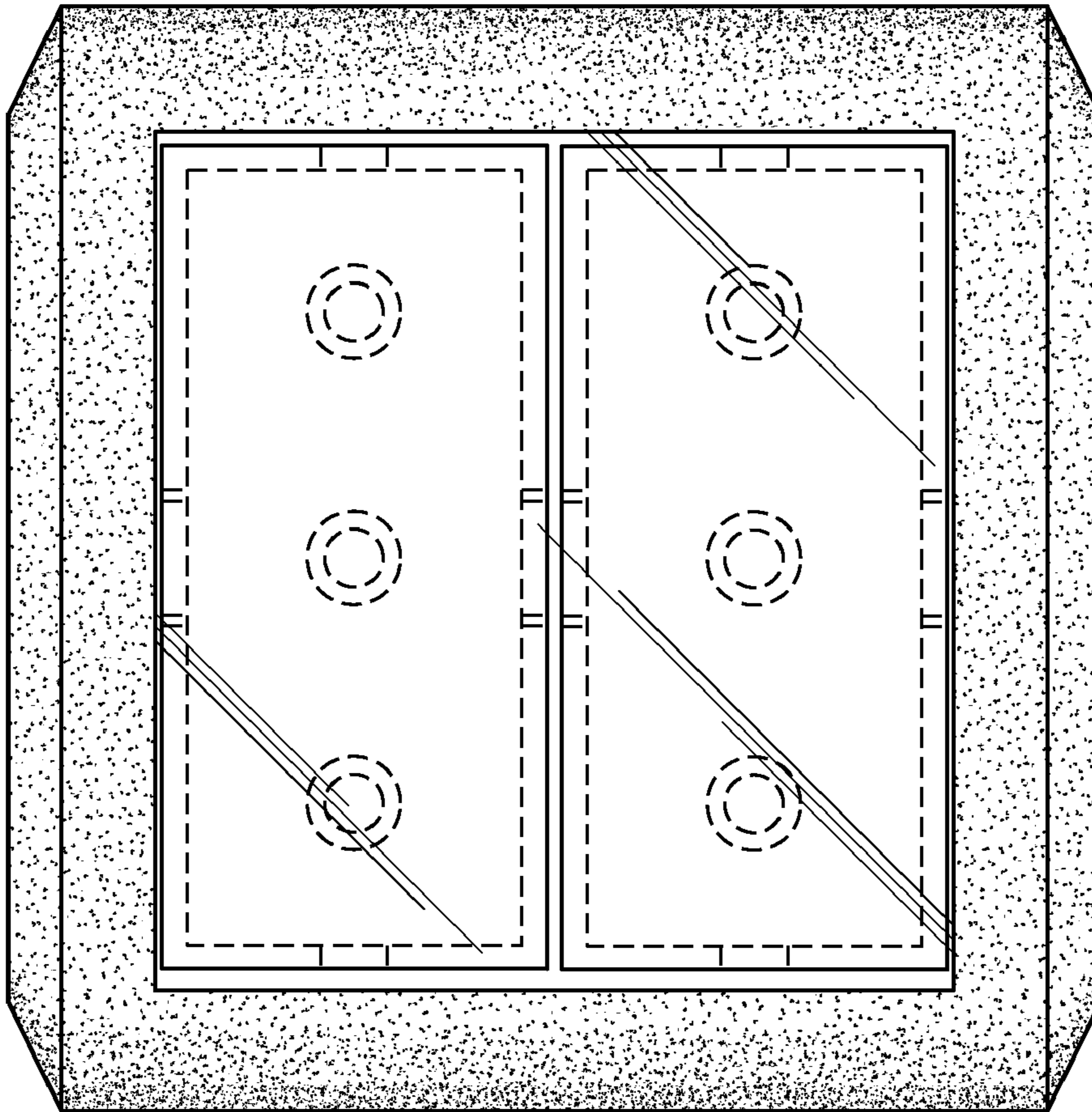


FIG. 4

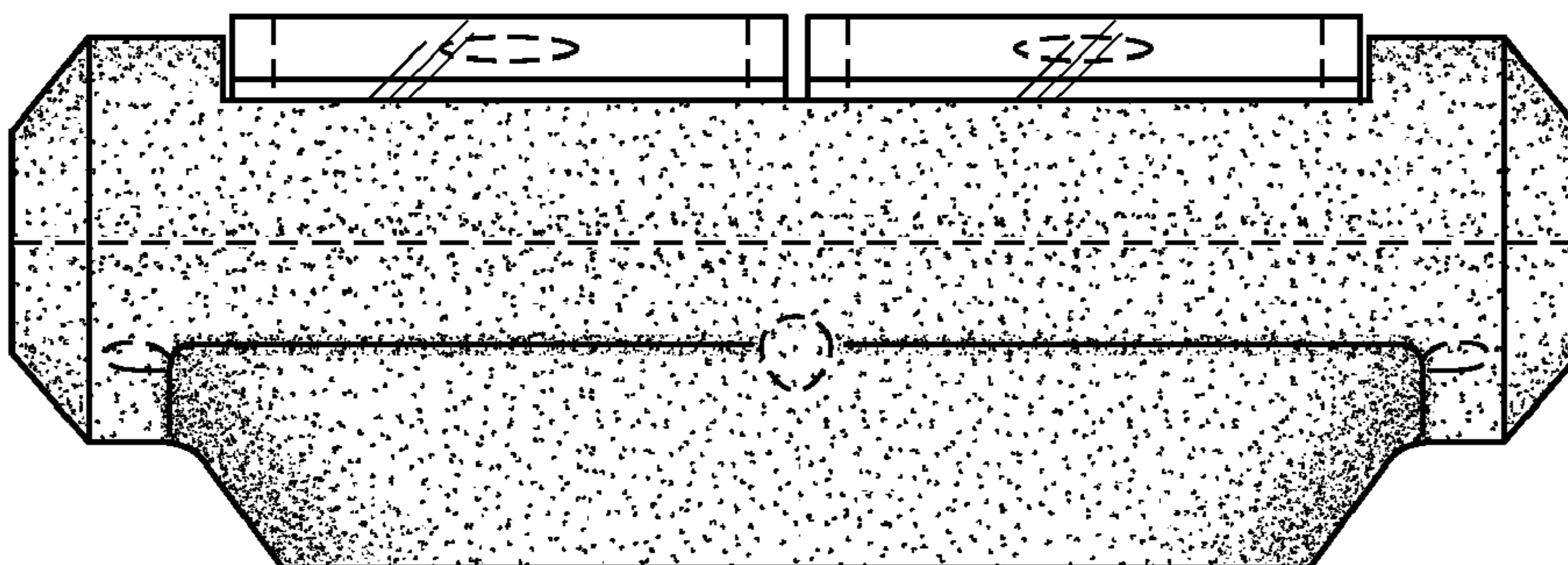


FIG. 5

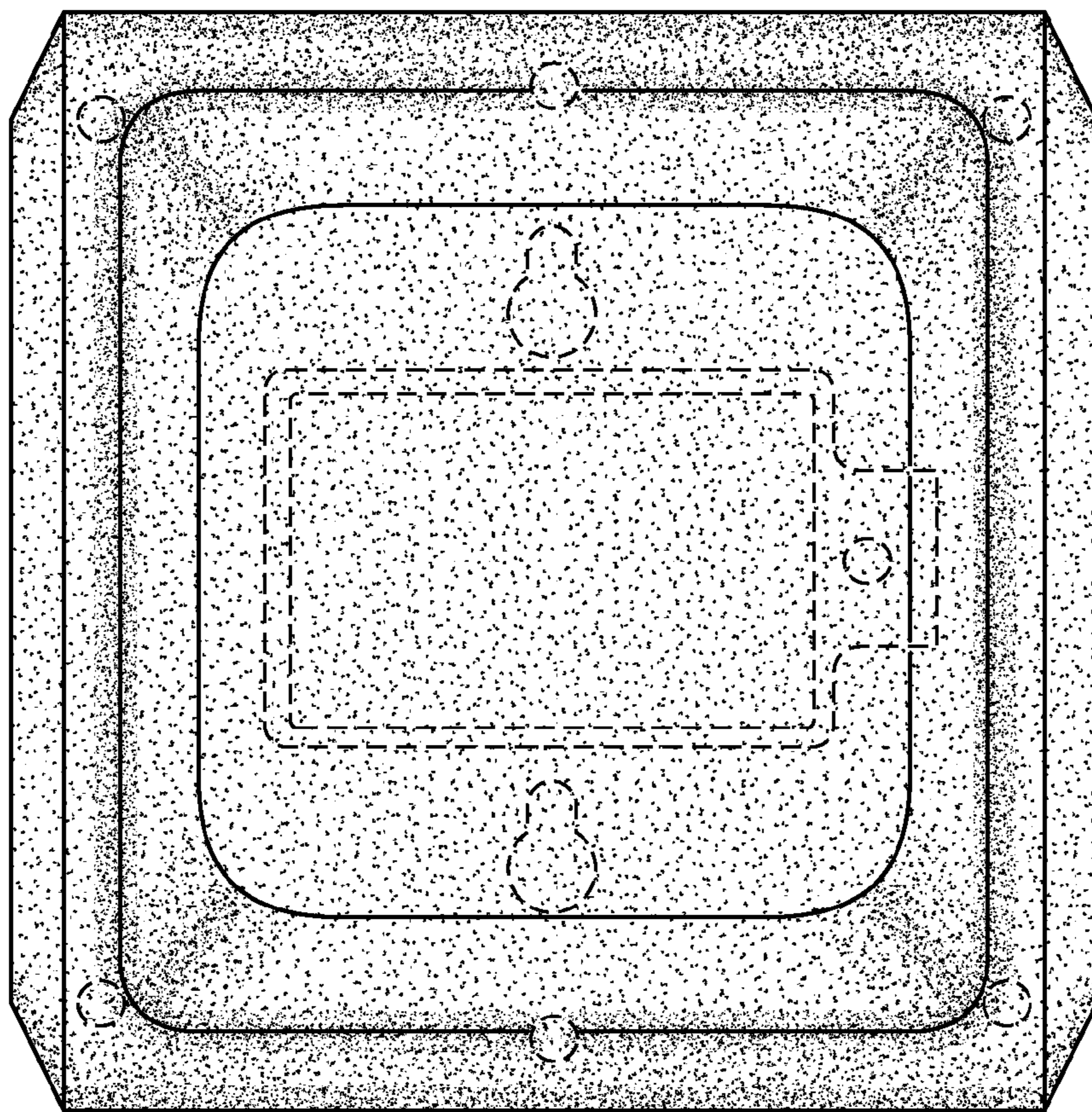


FIG. 6

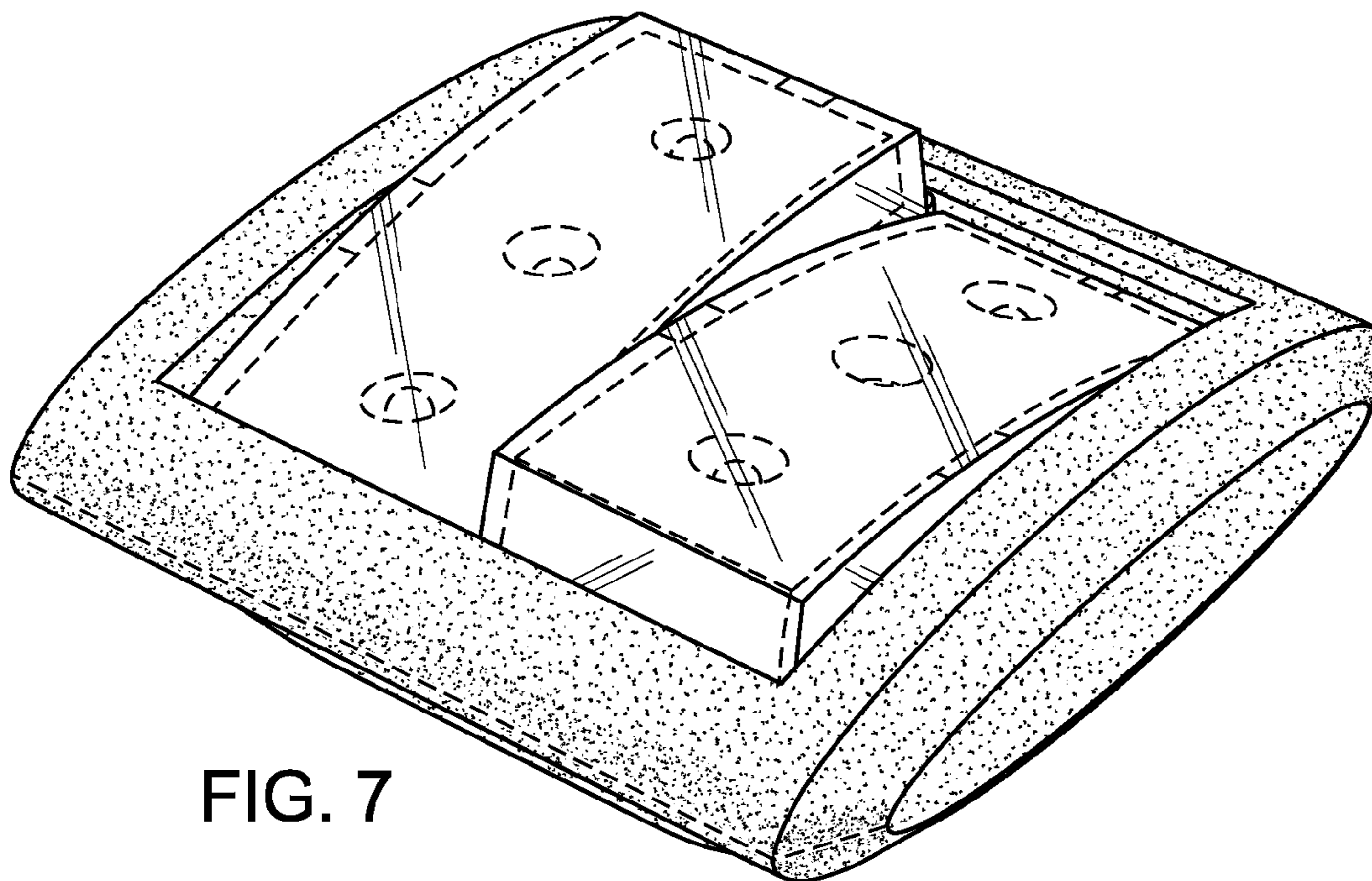


FIG. 7