



US00D607134S

(12) **United States Design Patent**
Levine et al.

(10) **Patent No.:** **US D607,134 S**
(45) **Date of Patent:** **** Dec. 29, 2009**

(54) **LIGHTING DEVICE**

(75) Inventors: **Jonathan E. Levine**, 419 Park Ave.
South, Suite 505, New York, NY (US)
10016; **Tang Kong Kin**, N.T. (HK)

(73) Assignee: **Jonathan E. Levine**, New York, NY
(US)

(**) Term: **14 Years**

(21) Appl. No.: **29/331,160**

(22) Filed: **Jan. 21, 2009**

(51) **LOC (9) Cl.** **26-05**

(52) **U.S. Cl.** **D26/80; D26/61**

(58) **Field of Classification Search** D26/24,
D26/36, 37, 44, 60, 61, 63, 72, 80, 138; 362/98,
362/99, 101, 182, 202, 267, 473, 477, 515
See application file for complete search history.

(56) **References Cited**

U.S. PATENT DOCUMENTS

D79,855 S	*	11/1929	Schnell	D26/36
D222,500 S		10/1971	Gugelot		
D241,972 S	*	10/1976	Nau	D26/44
D351,672 S	*	10/1994	Tsay	D26/37
D366,721 S	*	1/1996	Borden	D26/37
D371,857 S		7/1996	Gismondi		
D377,988 S	*	2/1997	Brain et al.	D26/37
D388,212 S	*	12/1997	Brohard et al.	D26/71
D412,040 S		7/1999	Hudak et al.		
D443,713 S		6/2001	Benensohn		
D469,900 S	*	2/2003	Galli	D26/37
6,588,920 B2		7/2003	Agro		
D484,270 S		12/2003	Yiu		
D485,390 S		1/2004	Stancik et al.		
D512,170 S		11/2005	Canino et al.		

6,979,107 B1	12/2005	Benensohn	
D535,740 S	1/2007	Brown et al.	
7,192,058 B2 *	3/2007	Fleming 362/102
D544,117 S	6/2007	Coushaine	
D544,618 S	6/2007	Coushaine	
D544,988 S	6/2007	Benensohn	
D551,795 S	9/2007	Compton et al.	
D561,921 S *	2/2008	Aleksjew D26/37
D561,925 S	2/2008	Levine	
D567,987 S	4/2008	Khubani	
D576,338 S	9/2008	Levine	
D578,246 S	10/2008	Levine	
D580,575 S *	11/2008	Shiu D26/60
D581,572 S	11/2008	Levine	
2006/0250789 A1	11/2006	Coushaine	

* cited by examiner

Primary Examiner—Clare E Heflin

(74) *Attorney, Agent, or Firm*—Theodore W. Baker

(57) **CLAIM**

We claim the ornamental design for a lighting device, as shown and described.

DESCRIPTION

FIG. 1 is a perspective view of a lighting device showing our new design, as viewed from the top and one side.

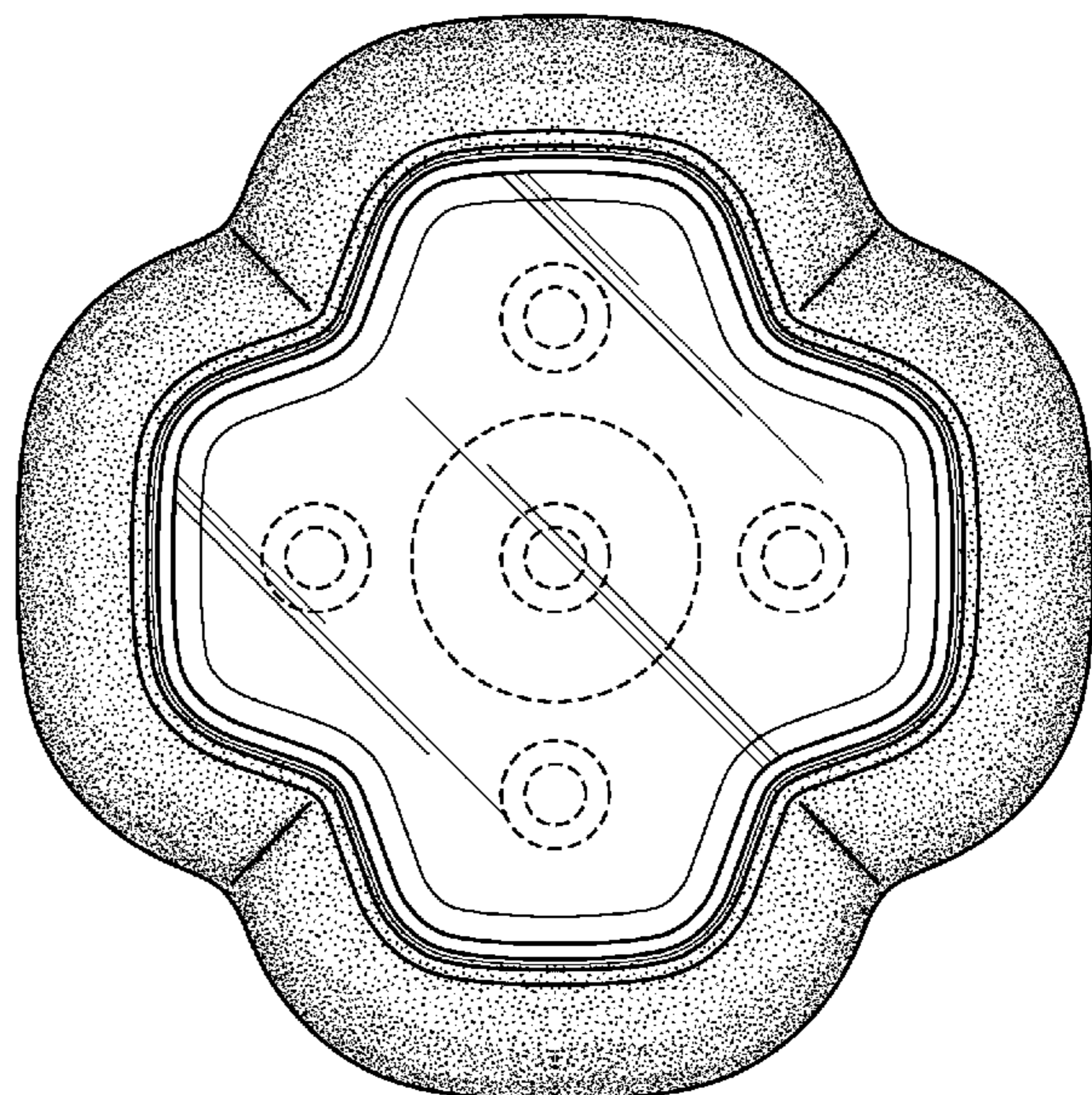
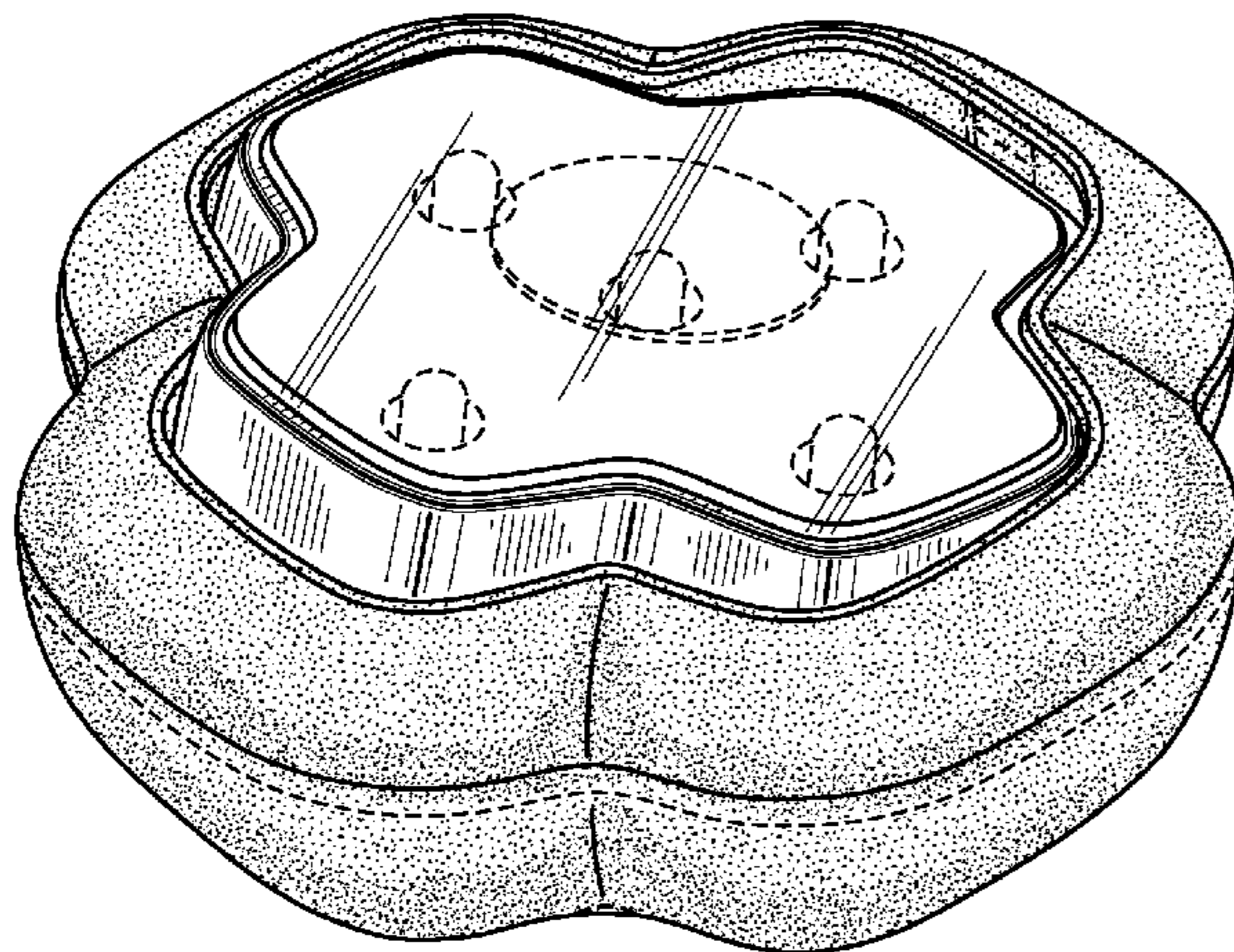
FIG. 2 is a perspective view of the lighting device of FIG. 1 with the light head tilted, as viewed from the top and one side.

FIG. 3 is a first side elevation view of the lighting device of FIG. 1, the other sides being identical thereto.

FIG. 4 is a top plan view of the lighting device of FIG. 1; and, FIG. 5 is a bottom plan view of the lighting device of FIG. 1.

The details shown in broken lines illustrate portions of the lighting device that form no part of the claimed design.

1 Claim, 2 Drawing Sheets



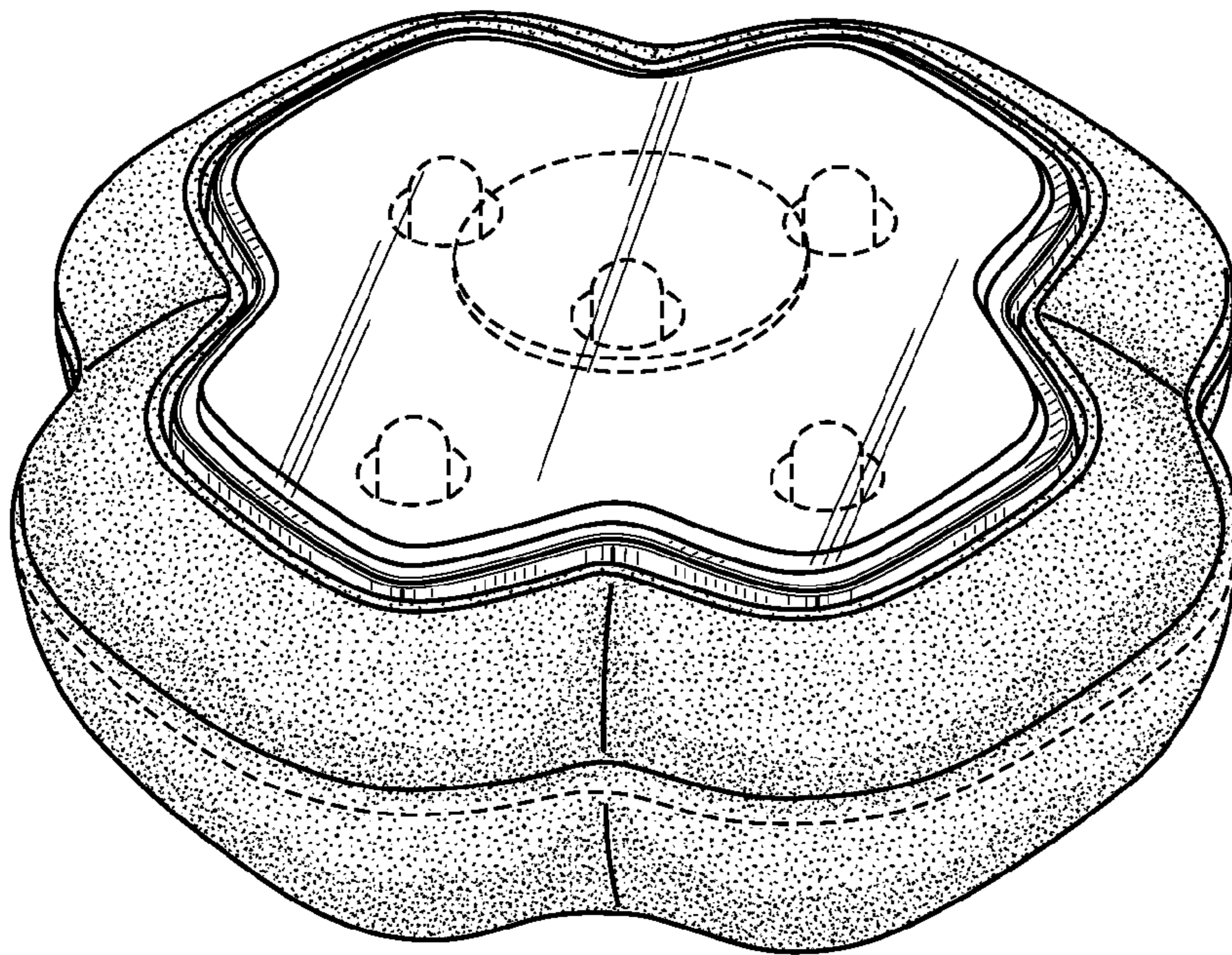


FIG. 1

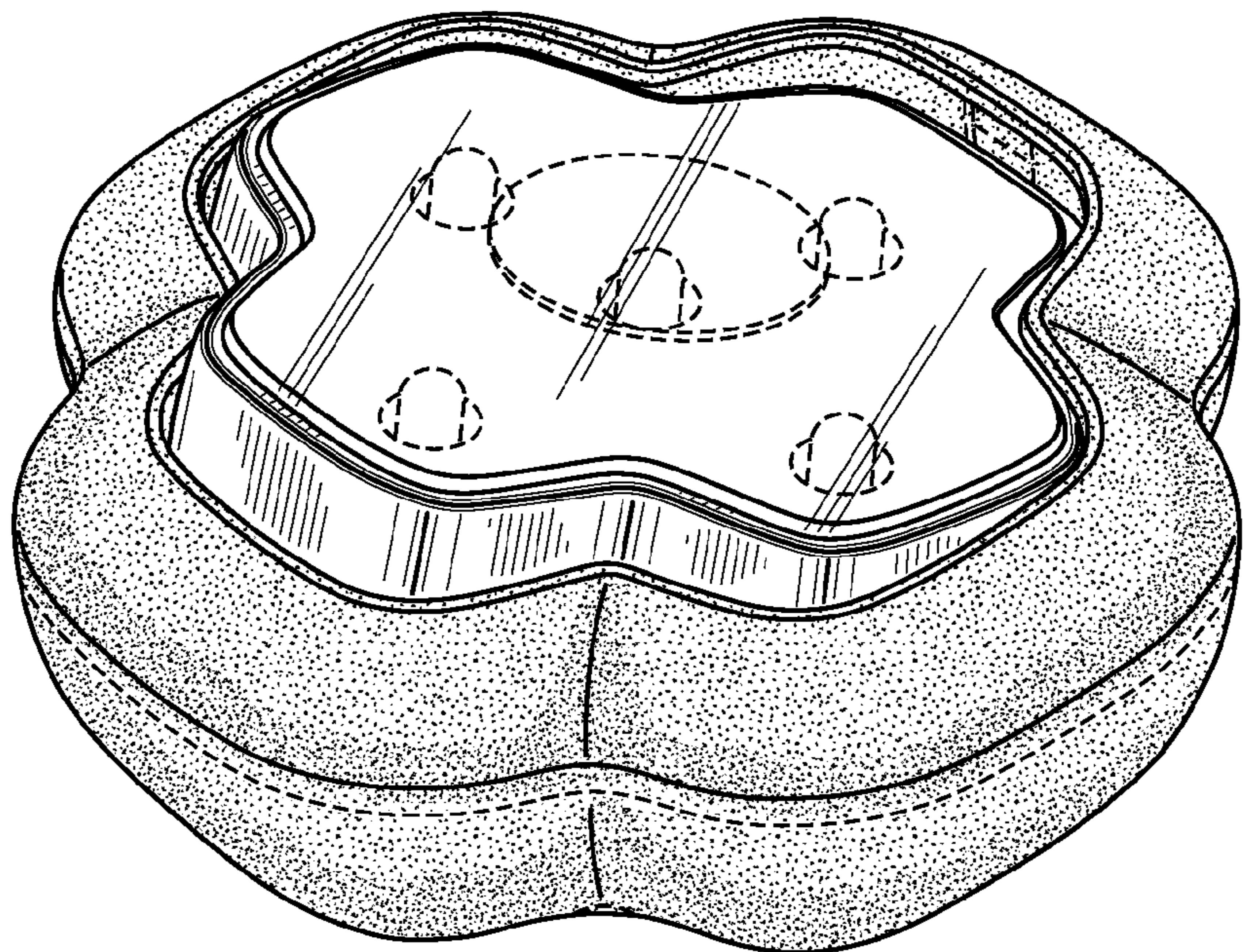


FIG. 2

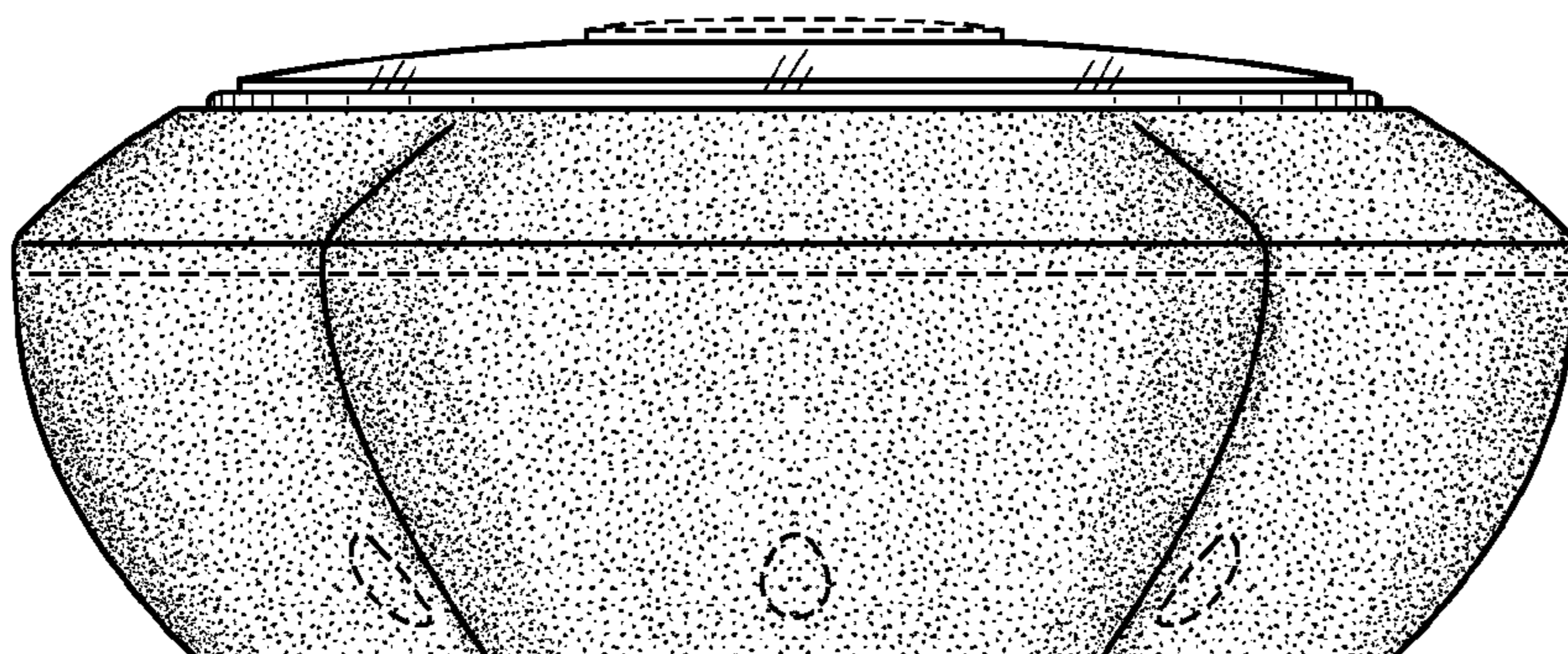


FIG. 3

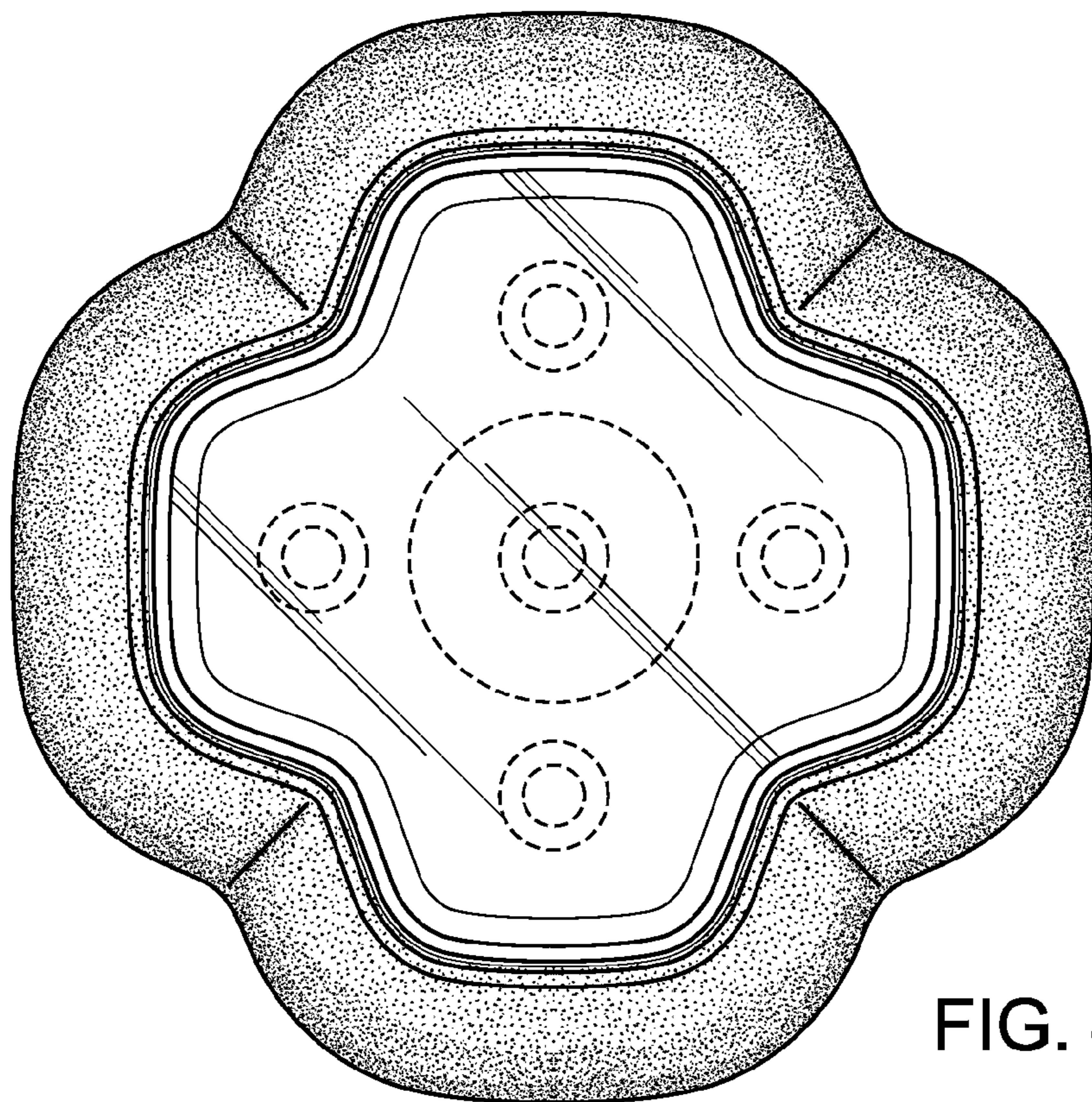


FIG. 4

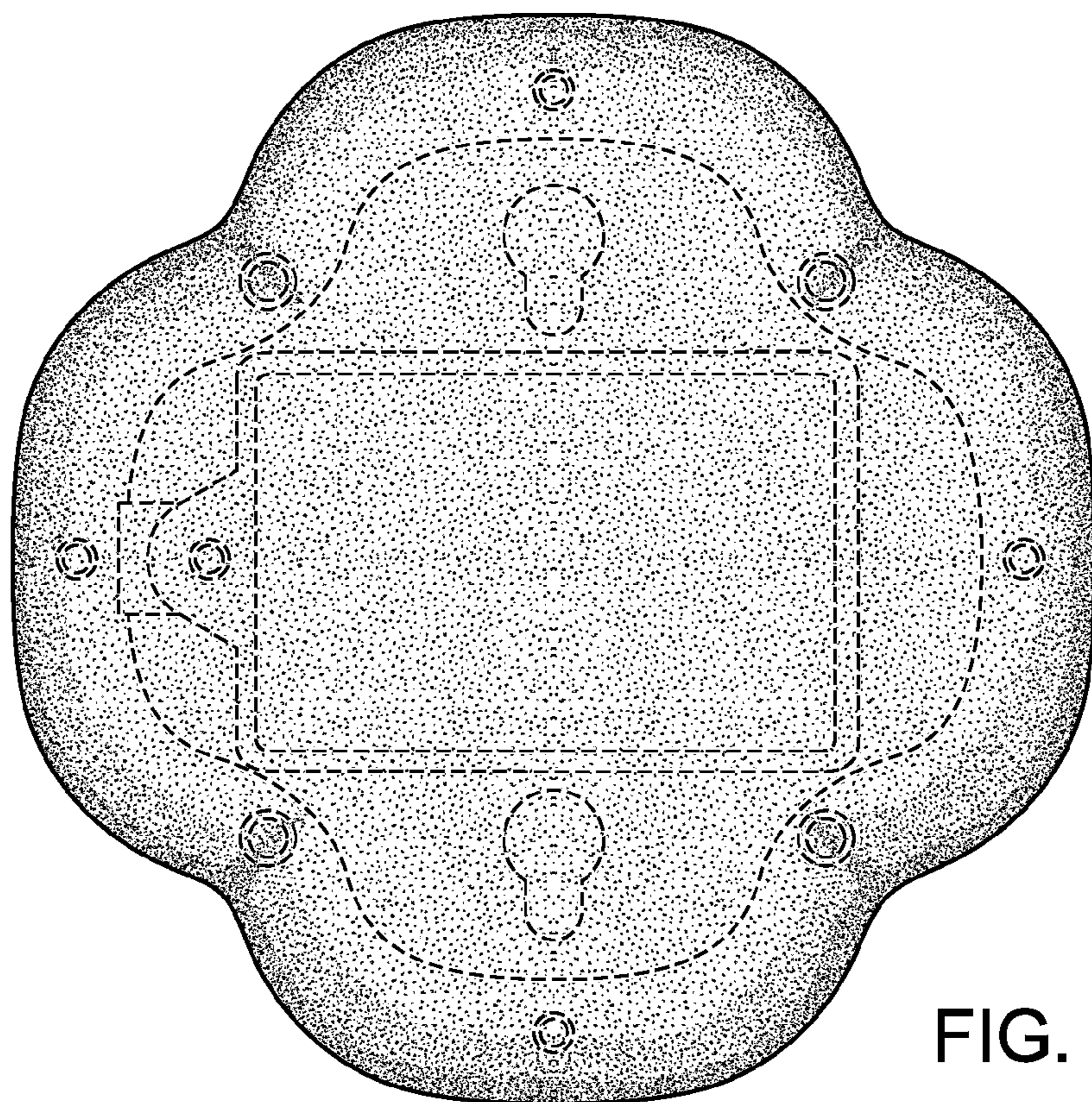


FIG. 5