



US00D607133S

(12) **United States Design Patent**  
**Calatrava Valls**

(10) **Patent No.:** **US D607,133 S**

(45) **Date of Patent:** **\*\* Dec. 29, 2009**

(54) **LAMP**

(76) **Inventor:** **Santiago Calatrava Valls**, Parkring 11,  
CH-8002 Zurich (CH)

(\*\*) **Term:** **14 Years**

(21) **Appl. No.:** **29/305,479**

(22) **Filed:** **Mar. 21, 2008**

(30) **Foreign Application Priority Data**

Sep. 24, 2007 (WO) ..... 407711501

(51) **LOC (9) Cl.** ..... **26-05**

(52) **U.S. Cl.** ..... **D26/71; D26/87; D26/92**

(58) **Field of Classification Search** ..... D26/67-72,  
D26/85, 92, 93, 105, 107; 362/145, 152,  
362/183, 294, 373, 414, 431, 545, 800  
See application file for complete search history.

(56) **References Cited**

**U.S. PATENT DOCUMENTS**

D53,306 S *	5/1919	Laurent	.....	D26/102
D196,600 S *	10/1963	Passman	.....	D26/107
D221,799 S *	9/1971	Johnson	.....	D26/107
D223,546 S *	5/1972	Gandini	.....	D26/108
D308,261 S *	5/1990	Shemitz	.....	D26/87
D351,679 S *	10/1994	Chen	.....	D26/107
D356,390 S *	3/1995	Gismondi et al.	.....	D26/107

D382,080 S *	8/1997	De Lucchi	.....	D26/107
D392,068 S *	3/1998	Newhouse	.....	D26/107
D424,735 S *	5/2000	Newhouse	.....	D26/108
D568,521 S *	5/2008	Compton	.....	D26/71
D588,292 S *	3/2009	Sabernig	.....	D26/71

\* cited by examiner

*Primary Examiner*—Clare E Heflin

(74) *Attorney, Agent, or Firm*—Brian Roffe

(57) **CLAIM**

The ornamental design for a lamp, as shown.

**DESCRIPTION**

FIG. 1 is a front, right perspective view of a lamp showing my new design;

FIG. 2 is a front, left perspective view thereof;

FIG. 3 is a front, bottom perspective view thereof;

FIG. 4 is another front, perspective view thereof taken from a higher elevation than FIG. 3;

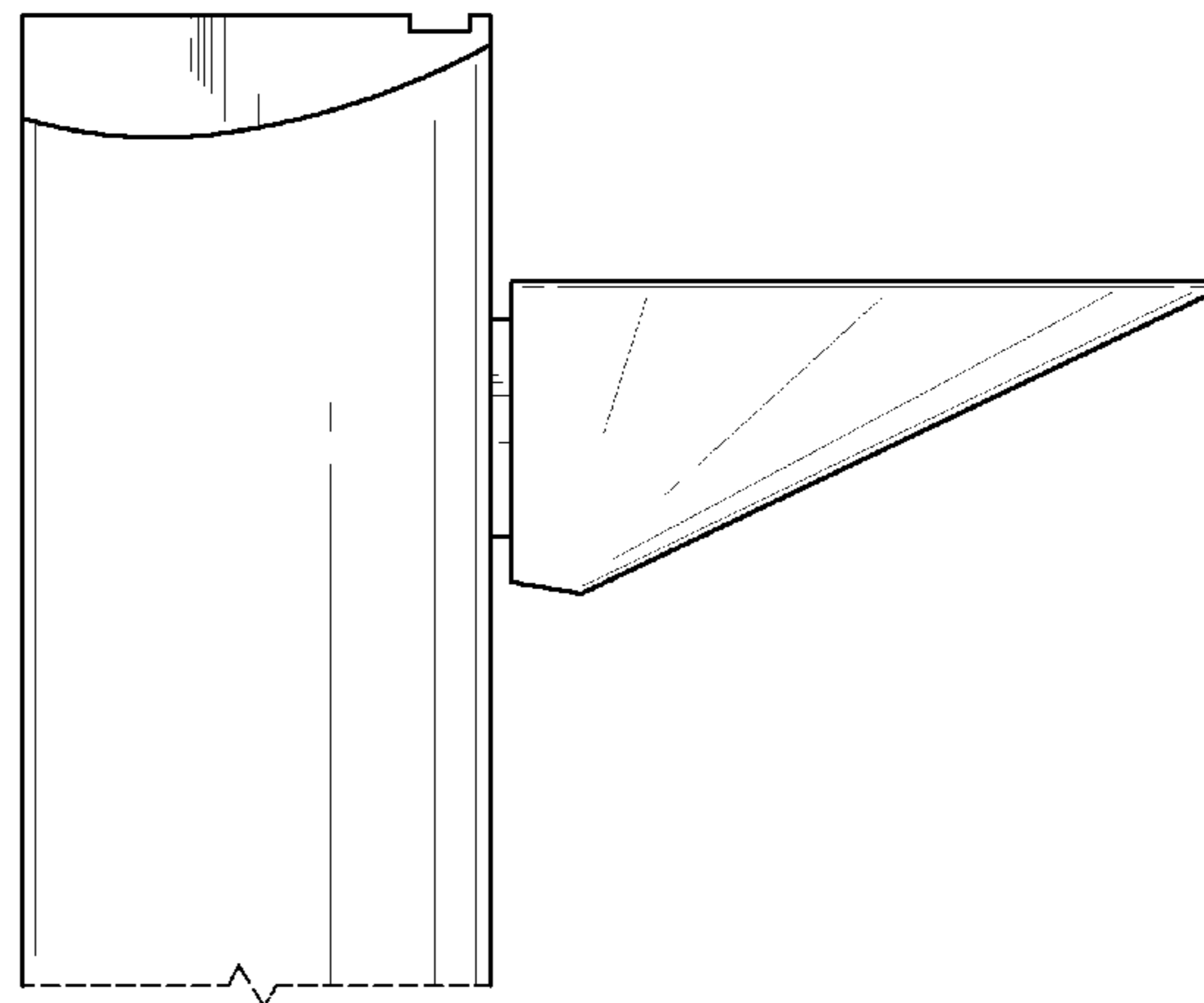
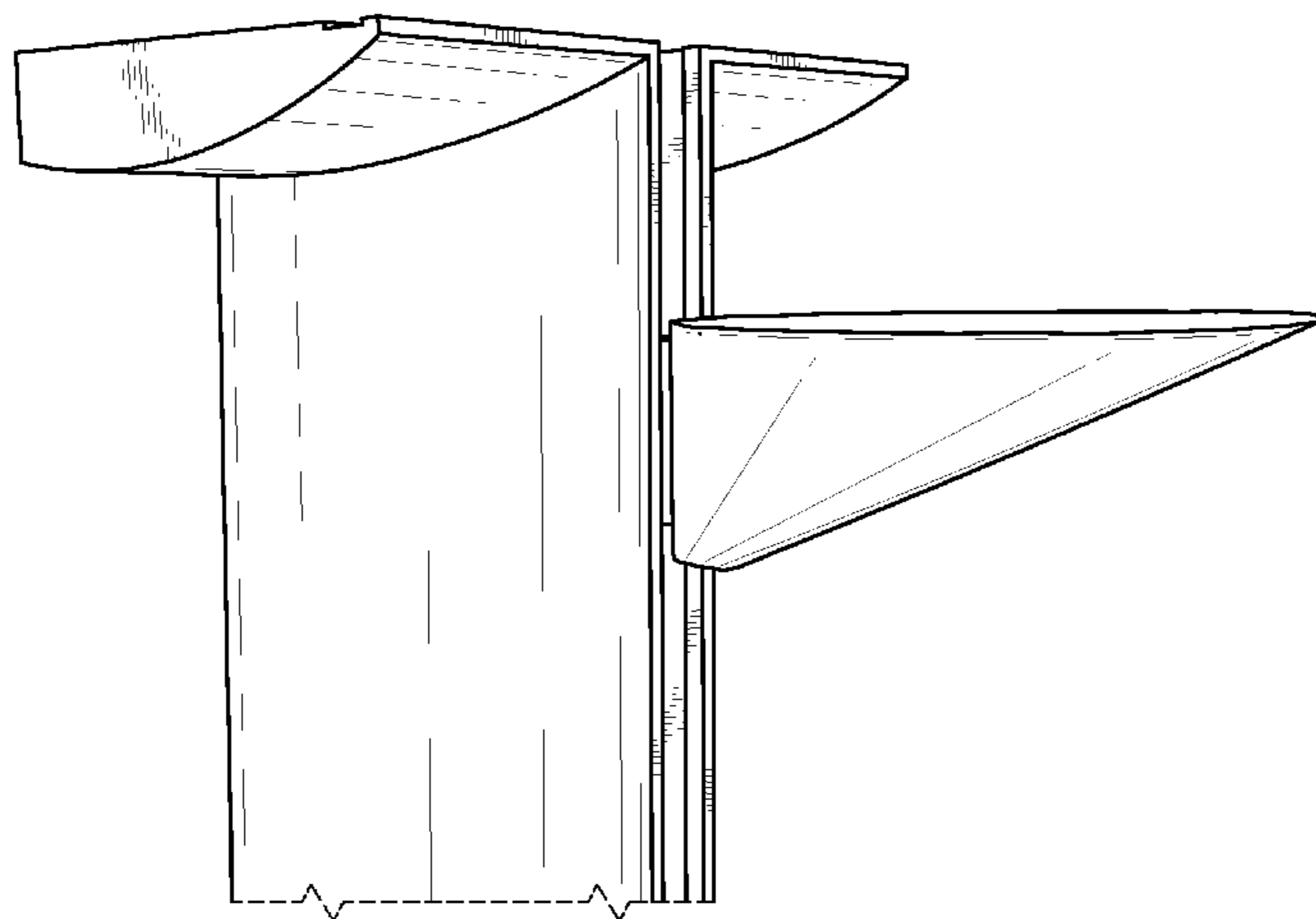
FIG. 5 is a top plan view thereof;

FIG. 6 is a rear, elevation view thereof; and,

FIG. 7 is a left side elevational view thereof, the right side elevational view being a mirror image.

The broken line of the claimed design forms no part thereof.

**1 Claim, 4 Drawing Sheets**



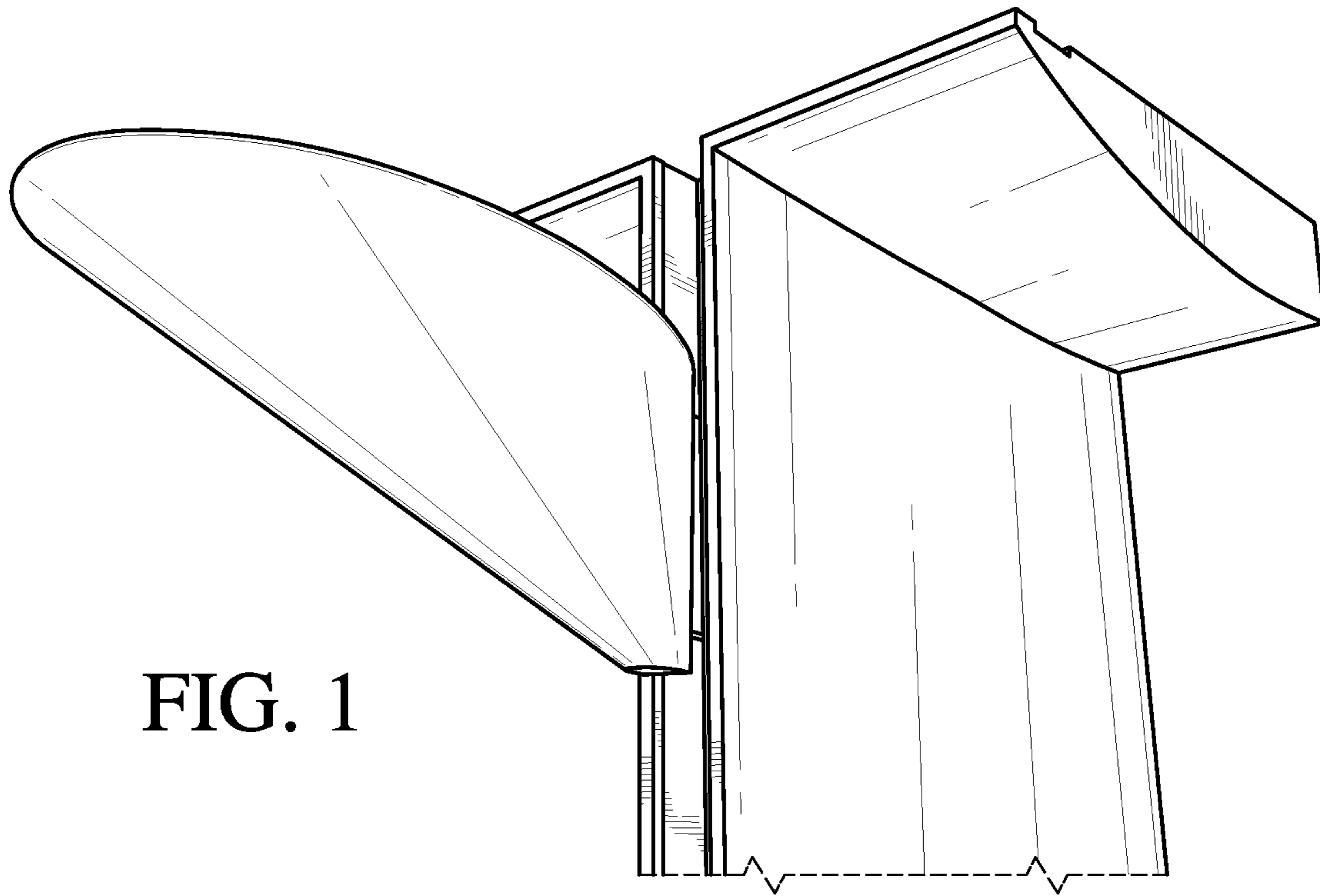


FIG. 1

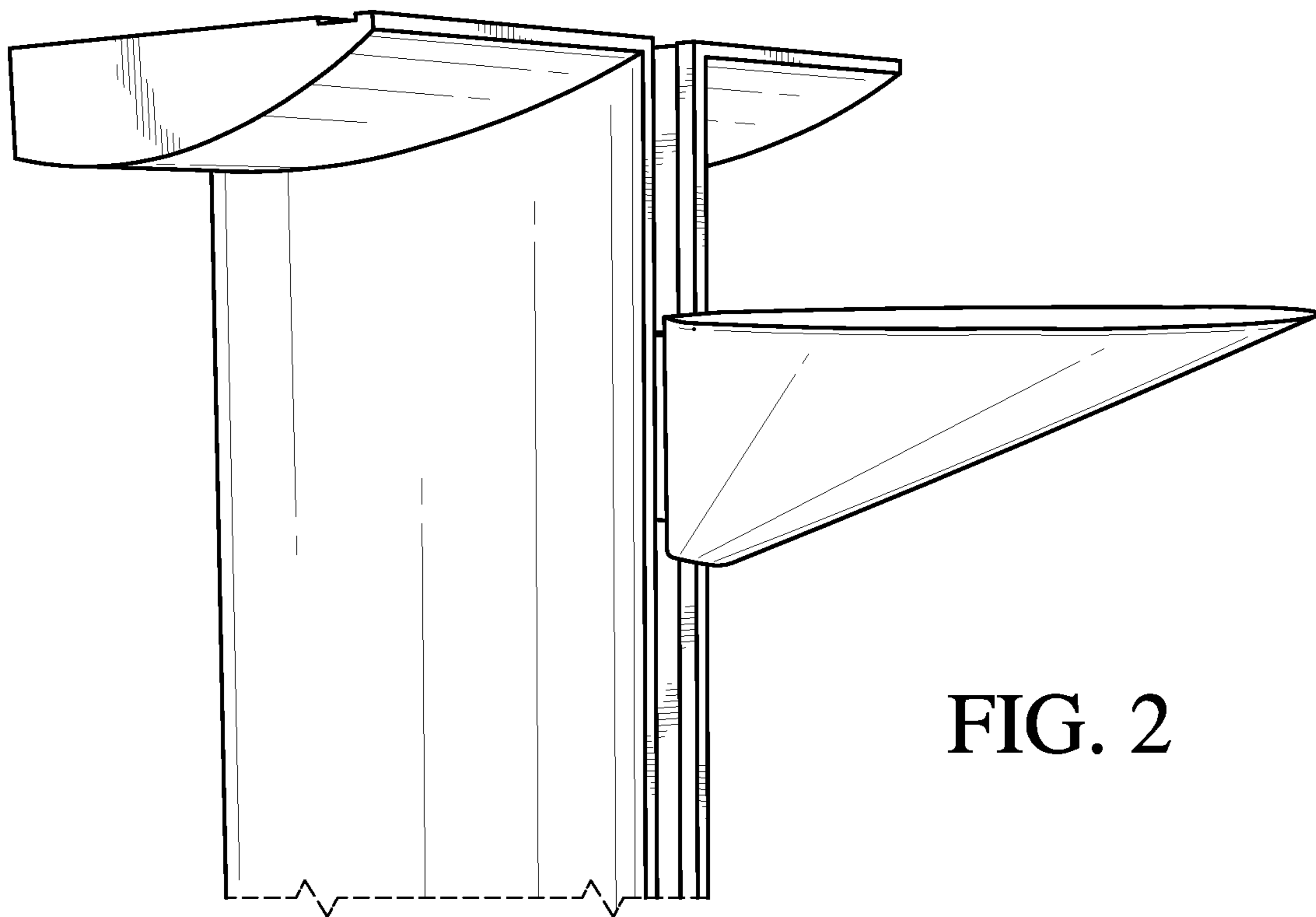


FIG. 2

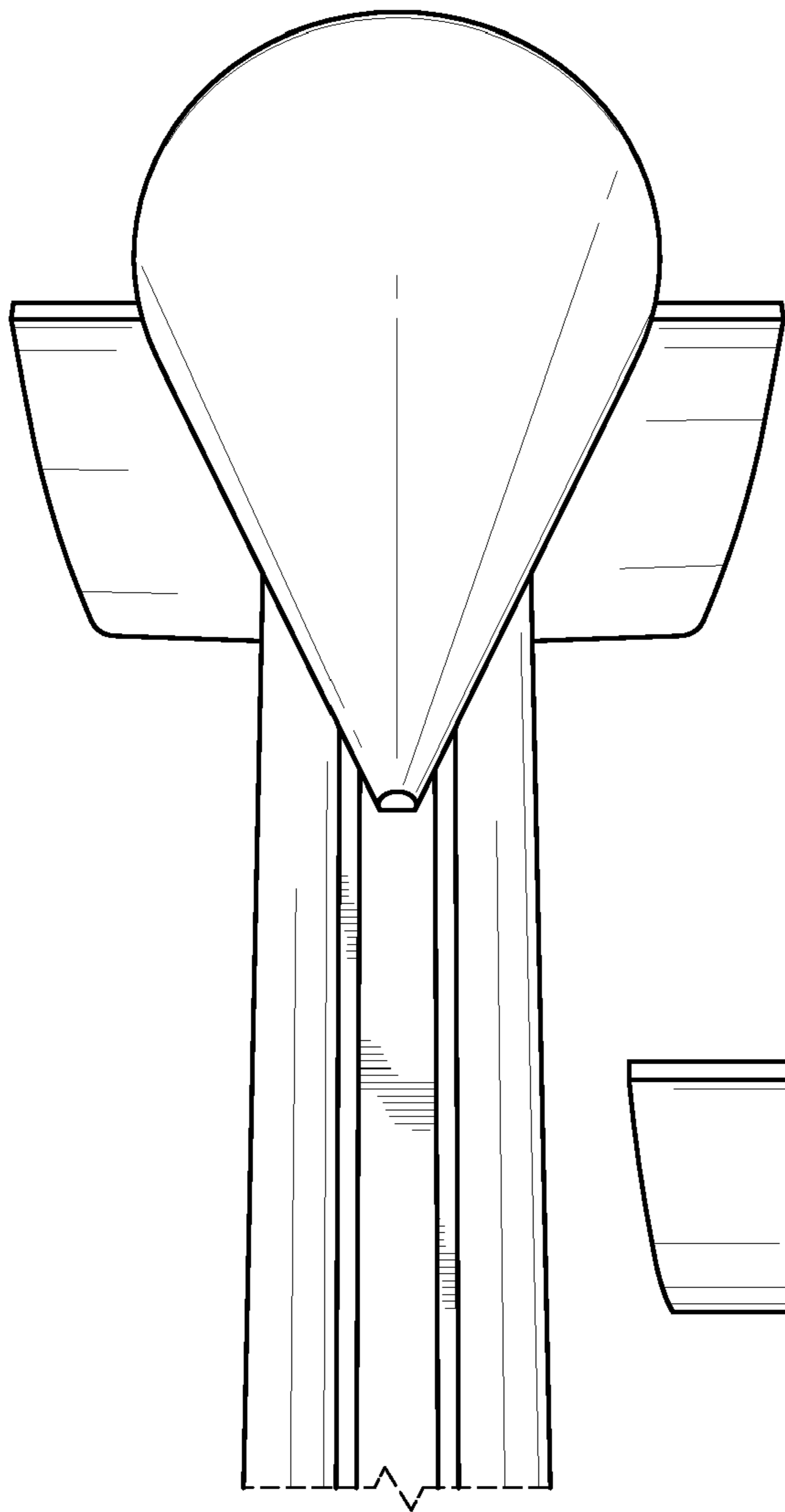


FIG. 3

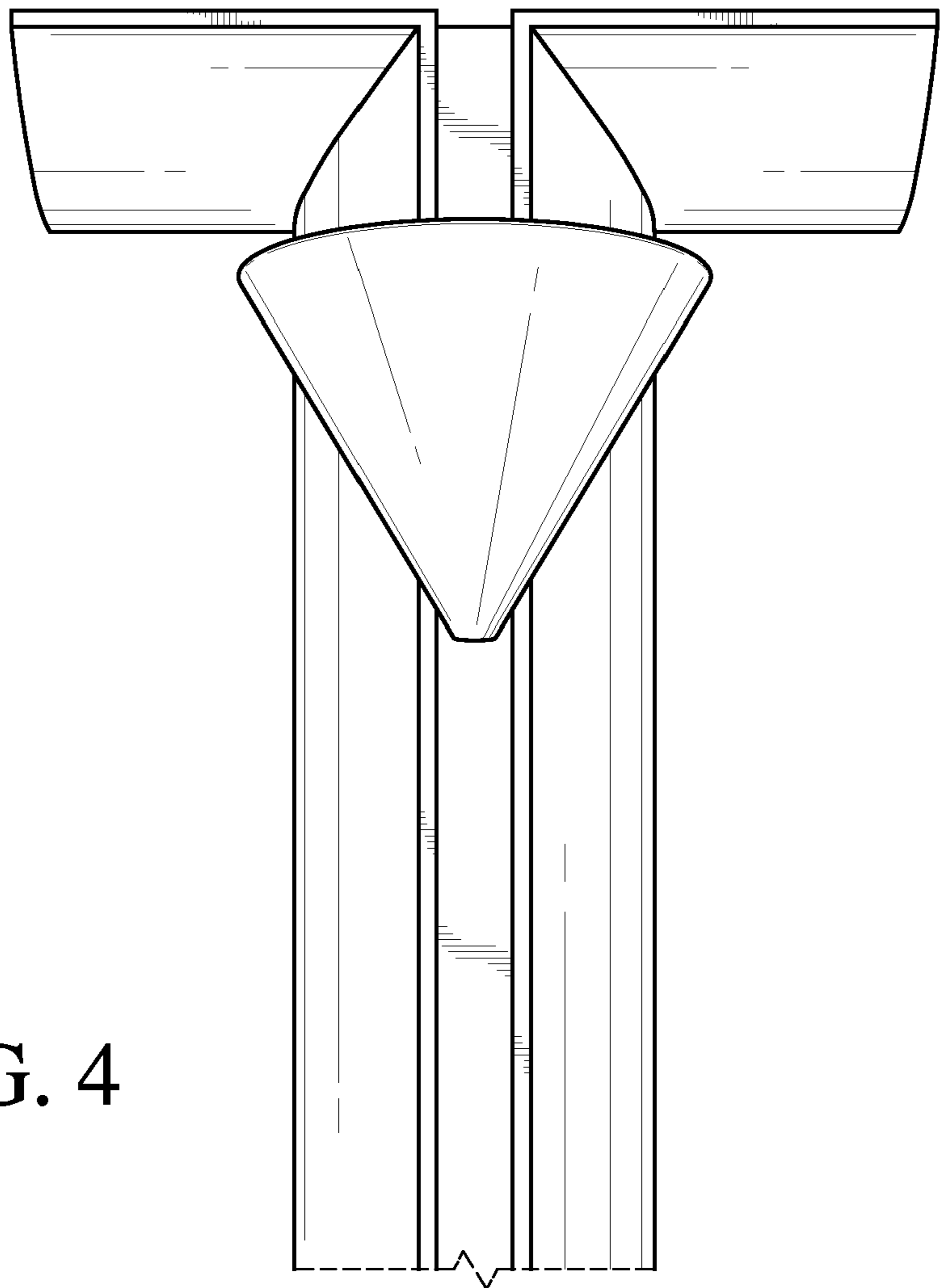


FIG. 4

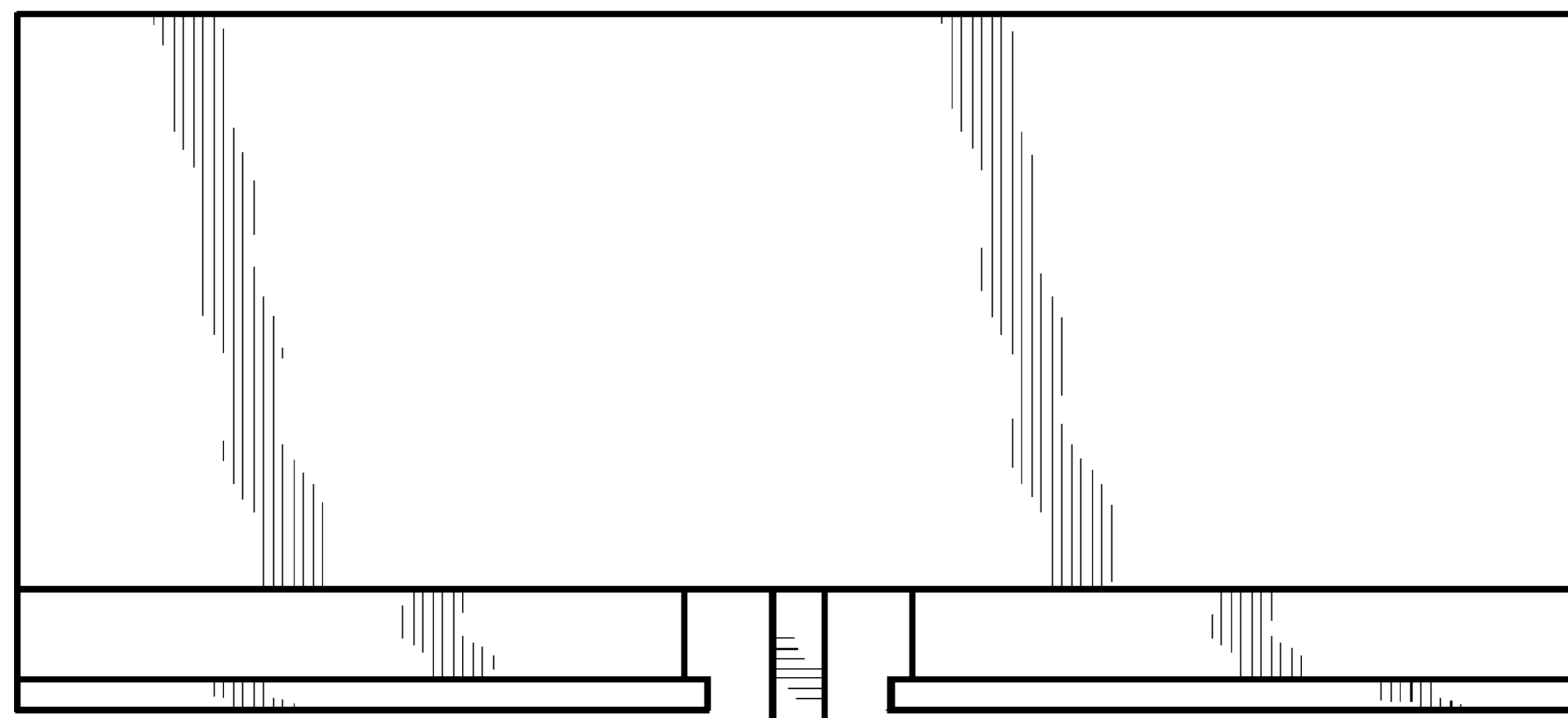


FIG. 5

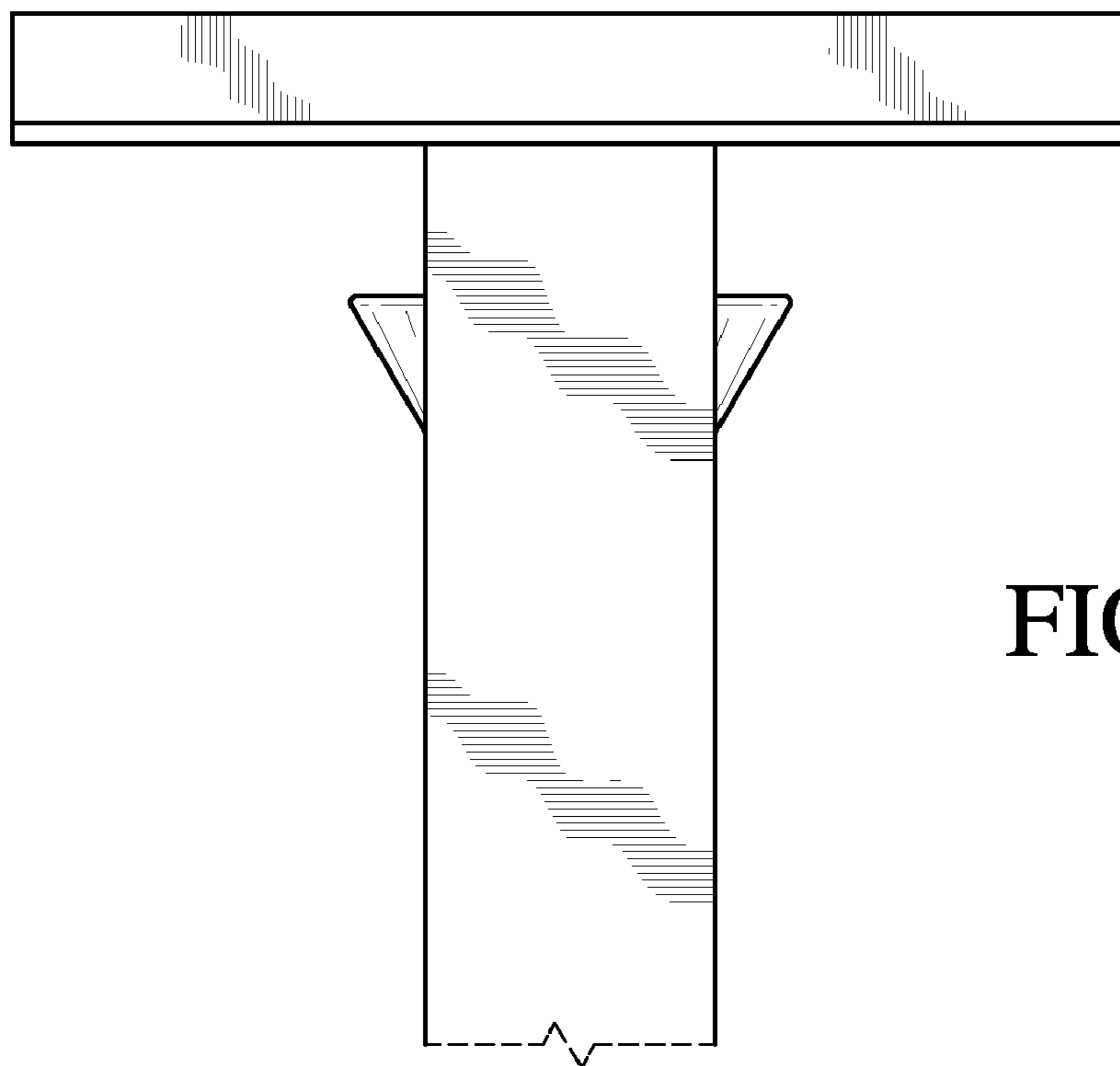


FIG. 6

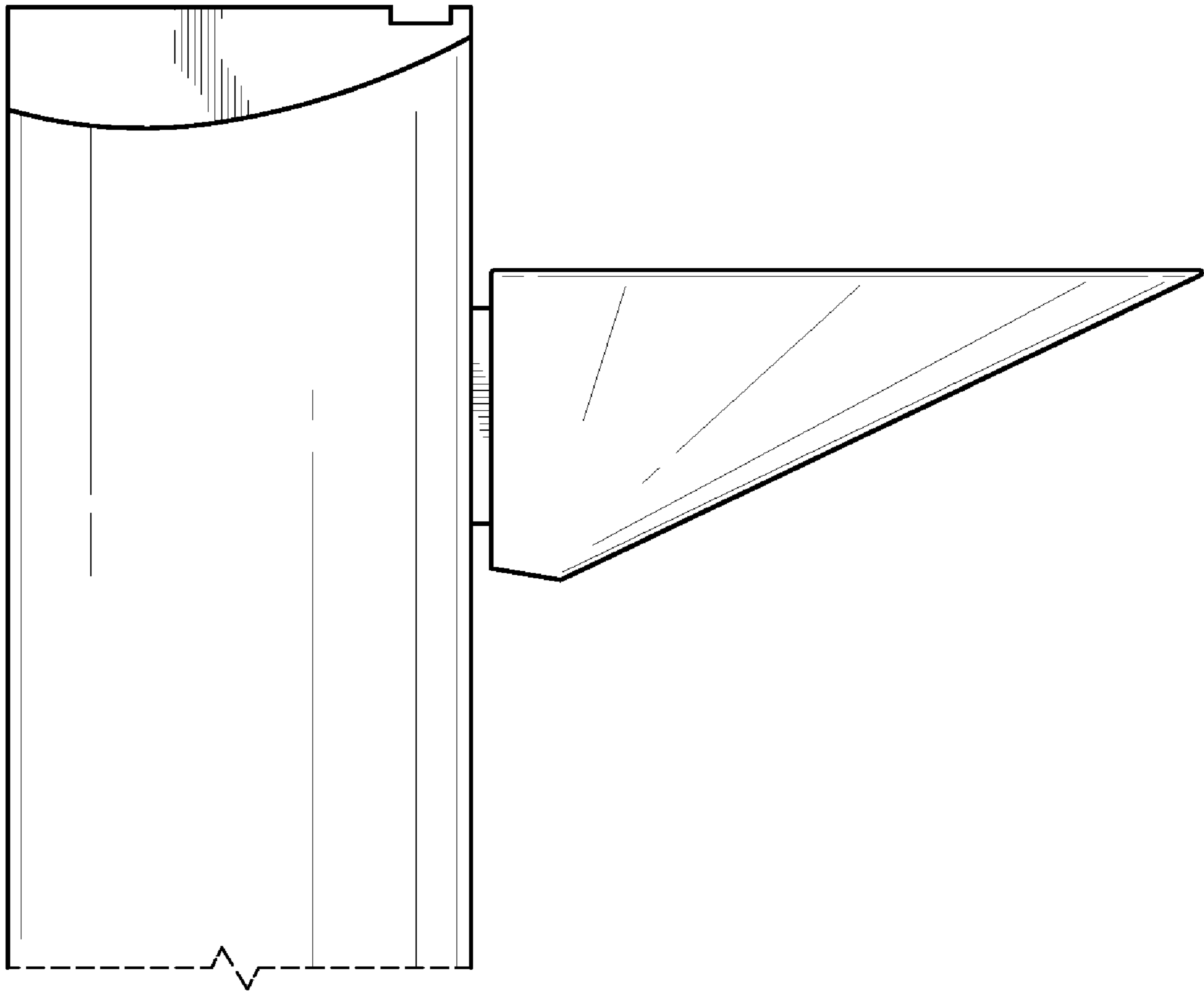


FIG. 7