



US00D607131S

(12) **United States Design Patent**
Levine

(10) **Patent No.:** **US D607,131 S**
(45) **Date of Patent:** **** Dec. 29, 2009**

(54) **LIGHTING DEVICE**

(76) Inventor: **Jonathan E. Levine**, 419 Park Ave.
South, Suite 505, New York, NY (US)
10016

(**) Term: **14 Years**

(21) Appl. No.: **29/337,466**

(22) Filed: **May 21, 2009**

(51) **LOC (9) Cl.** **26-02**

(52) **U.S. Cl.** **D26/44**

(58) **Field of Classification Search** D26/37,
D26/38, 39, 42-44, 46, 60, 65; 362/103,
362/105-108, 157, 158, 184, 187, 196-200,
362/207, 208

See application file for complete search history.

(56) **References Cited**

U.S. PATENT DOCUMENTS

D206,391 S	12/1966	Lax	
3,786,245 A	1/1974	Cincotta et al.	
D241,972 S	10/1976	Nau	
4,268,894 A	5/1981	Bartunek et al.	
D366,337 S	1/1996	Yuen	
D397,478 S	8/1998	Booty, Jr.	
D408,567 S	4/1999	Coe	
6,022,119 A	2/2000	Booty, Jr.	
D435,675 S *	12/2000	Sinclair	D26/37
D435,677 S	12/2000	Hollinger	
D439,688 S *	3/2001	Suzuki	D26/37
D464,162 S	10/2002	Segretto	
6,536,924 B2	3/2003	Segretto	
6,619,813 B1	9/2003	Schnell	
D496,479 S *	9/2004	Ashfield	D26/37
D497,216 S	10/2004	Lee	
D518,584 S *	4/2006	Chan	D26/37
D523,839 S *	6/2006	Li	D14/168
D524,474 S *	7/2006	Lo et al.	D26/60
D525,536 S *	7/2006	Chan	D10/2
D526,433 S	8/2006	Li	
D542,455 S	5/2007	Newcomb	
D543,304 S	5/2007	Chan	

D563,013 S	2/2008	Levine	
D571,492 S *	6/2008	Lee	D26/37
D580,077 S *	11/2008	Sham	D26/37
D580,078 S *	11/2008	Lee	D26/37
D585,578 S	1/2009	Levine	
D589,186 S *	3/2009	Coushaine et al.	D26/37

OTHER PUBLICATIONS

“Fulcrum 113311-301 Flyweight Travel Booklight,” <http://www.amazon.com/Fulcrum-113311-301-Flyweight-Travel-Booklight/dp/B0006JN7XC>, visited Aug. 17, 2007, 1 page.

* cited by examiner

Primary Examiner—Ian Simmons

Assistant Examiner—Carissa C Fitts

(74) *Attorney, Agent, or Firm*—Theodore W. Baker

(57) **CLAIM**

I claim the ornamental design for a lighting device, as shown and described.

DESCRIPTION

FIG. 1 is a perspective view of a lighting device showing my new design, as viewed from the top and one side.

FIG. 2 is a top plan view of the lighting device of FIG. 1.

FIG. 3 is a front elevation view of the lighting device of FIG. 1.

FIG. 4 is a first side elevation view of the lighting device of FIG. 1.

FIG. 5 is a bottom plan view of the lighting device of FIG. 1.

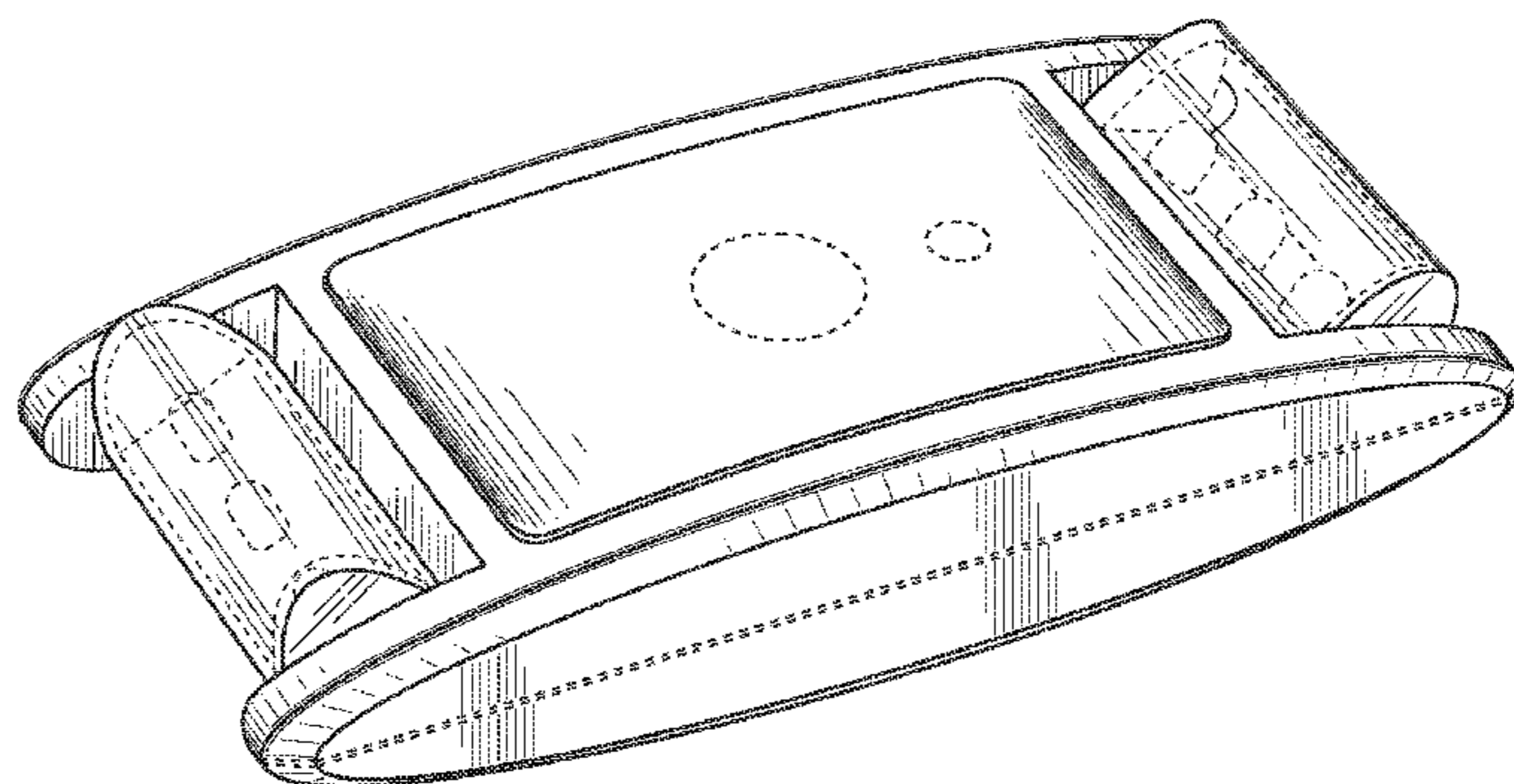
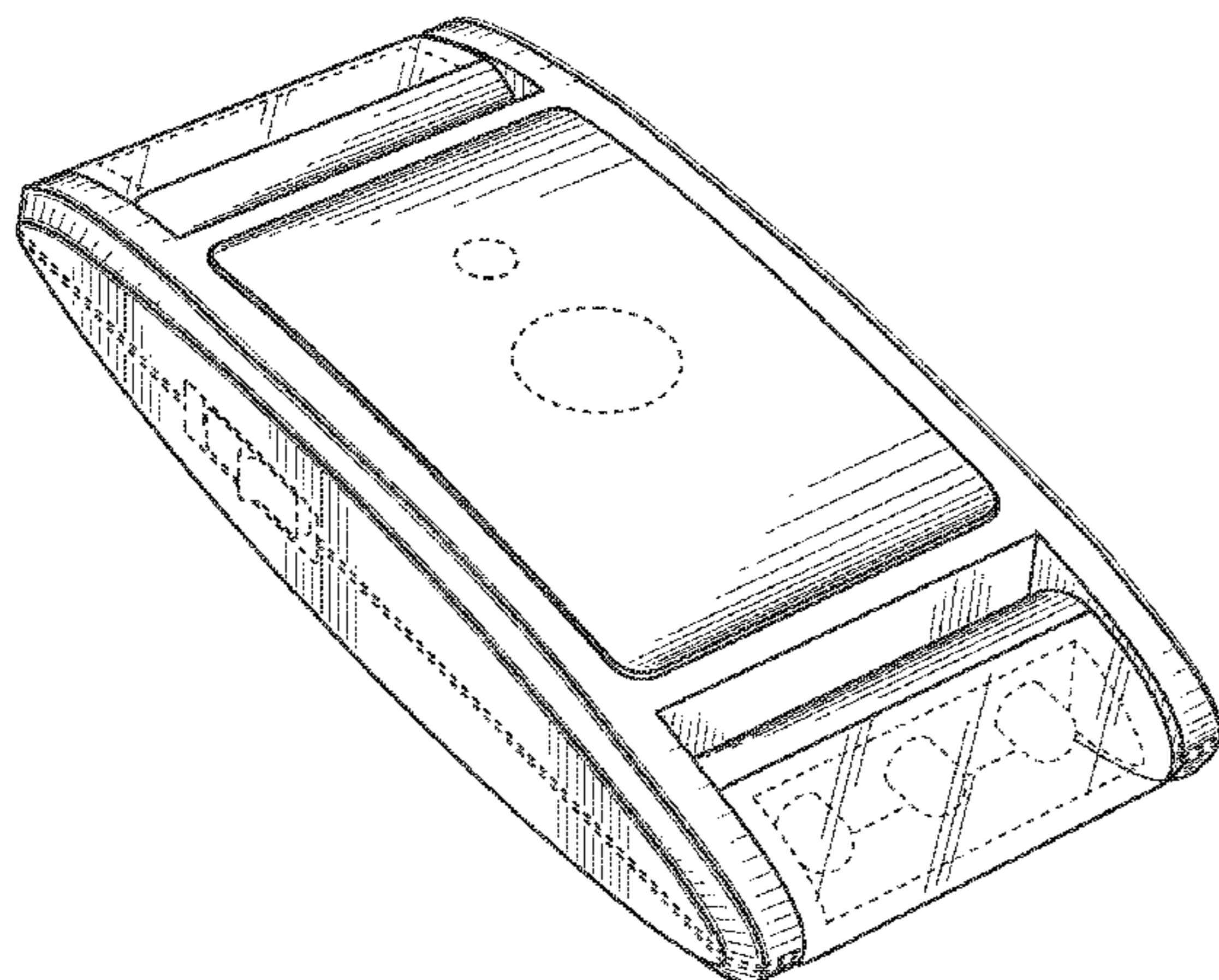
FIG. 6 is a second side elevation view of the lighting device of FIG. 1.

FIG. 7 is a back elevation view of the lighting device of FIG. 1; and,

FIG. 8 is a perspective view of the lighting device of FIG. 1 with the both the front and rear light heads shown rotated in an upward position.

The details shown in broken lines illustrate portions of the lighting device that form no part of the claimed design.

1 Claim, 3 Drawing Sheets



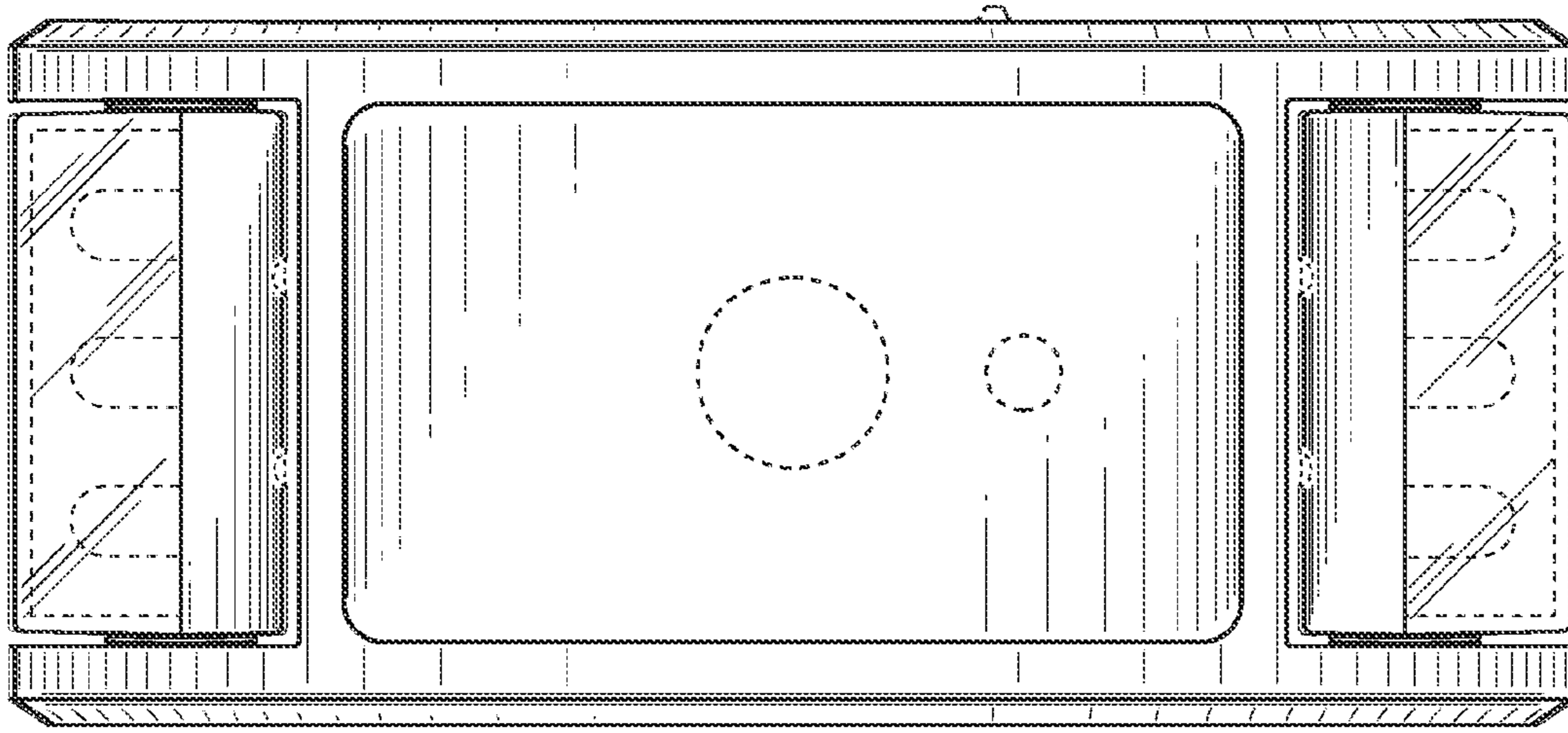


FIG. 2

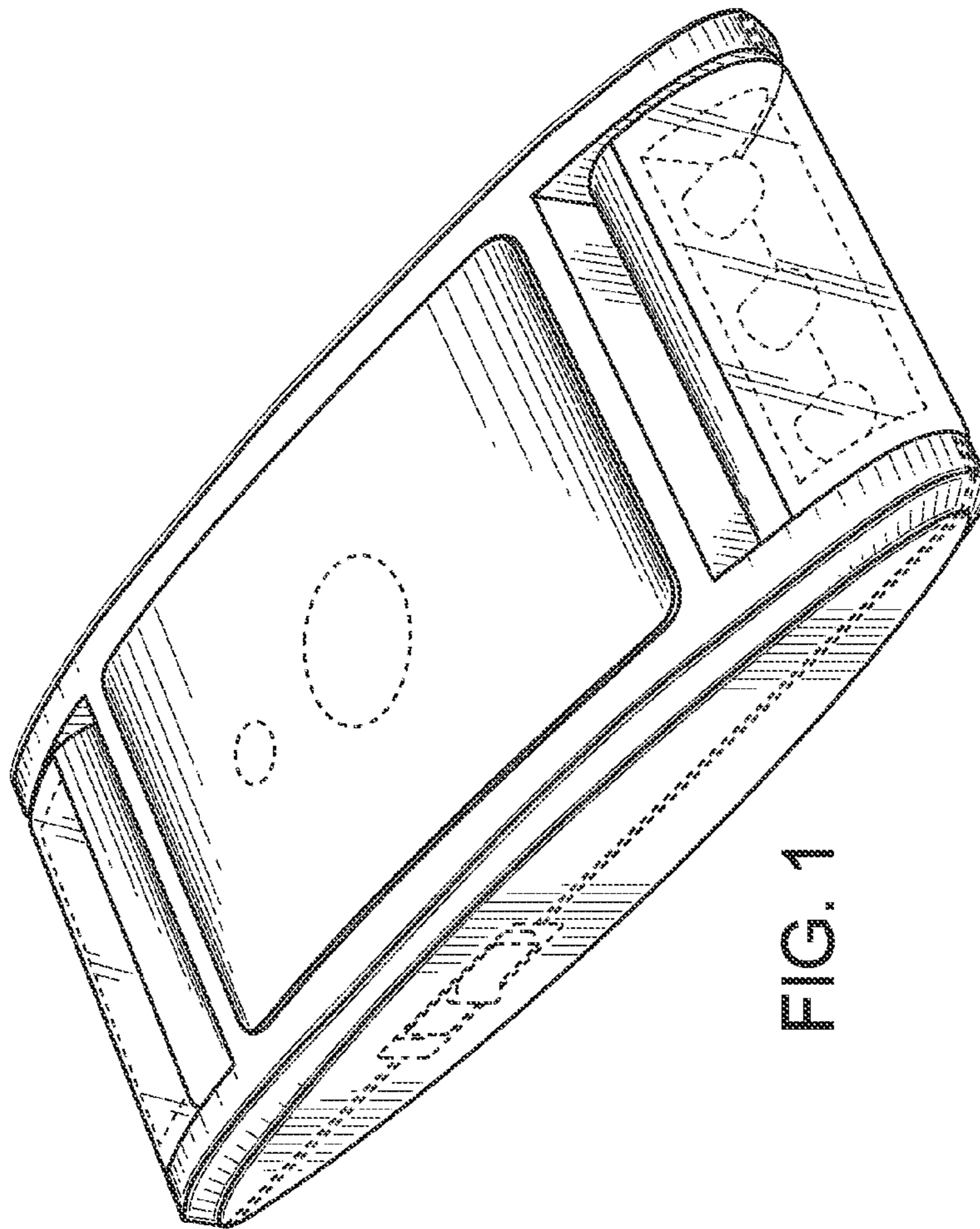


FIG. 1

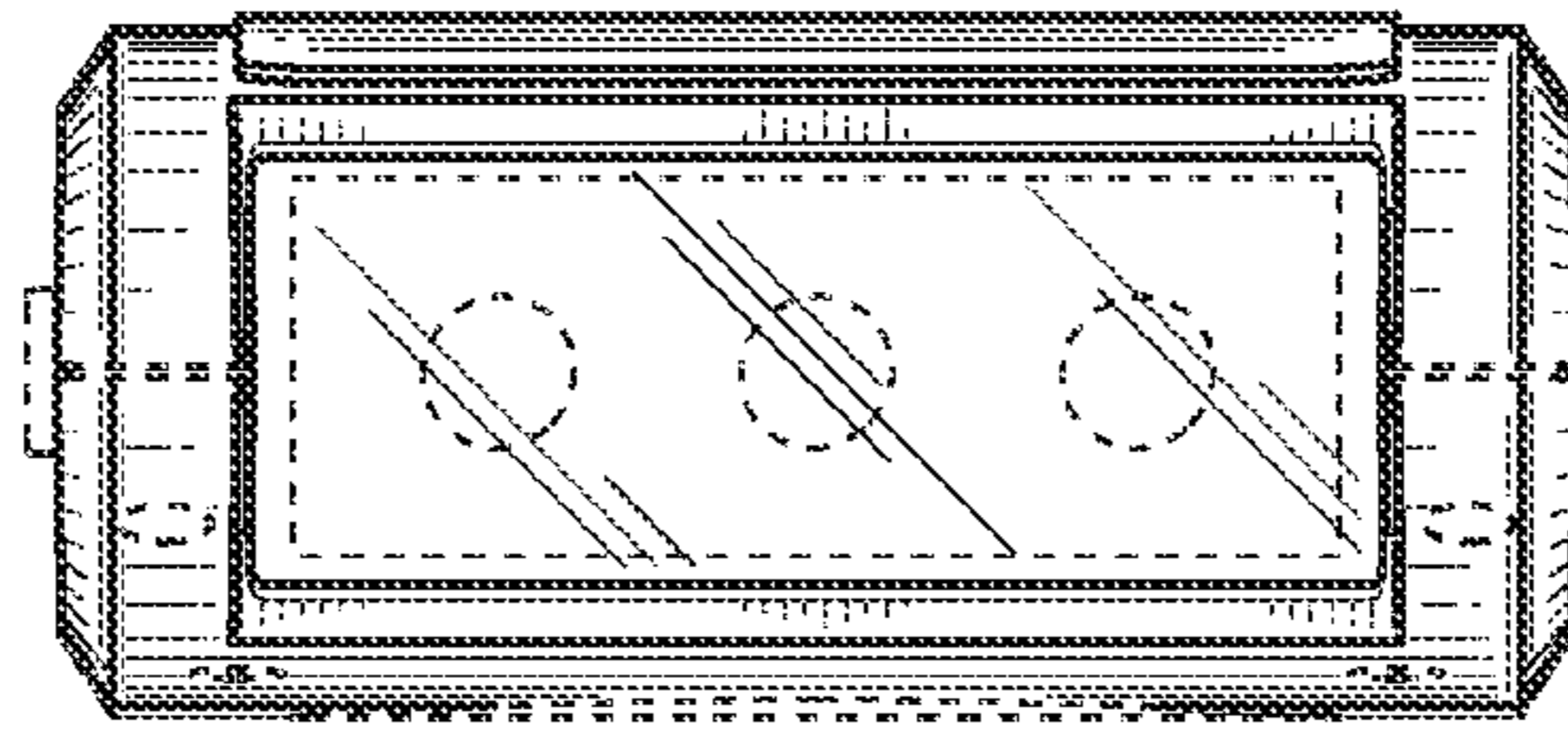


FIG. 3

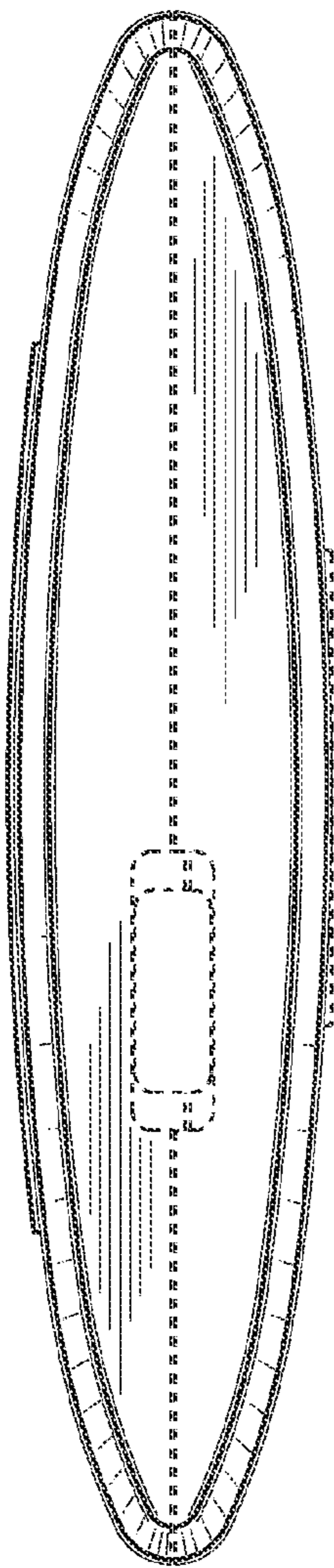


FIG. 4

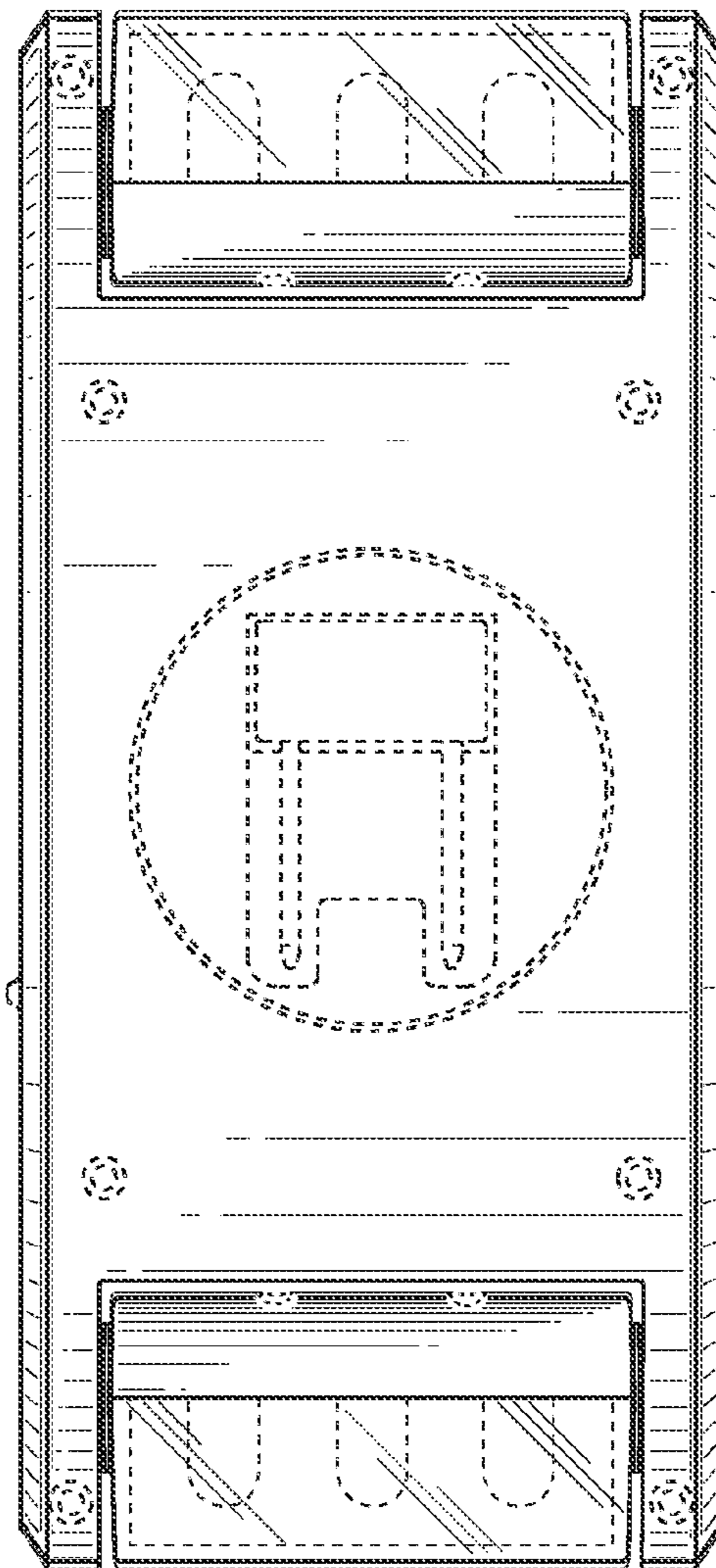


FIG. 5

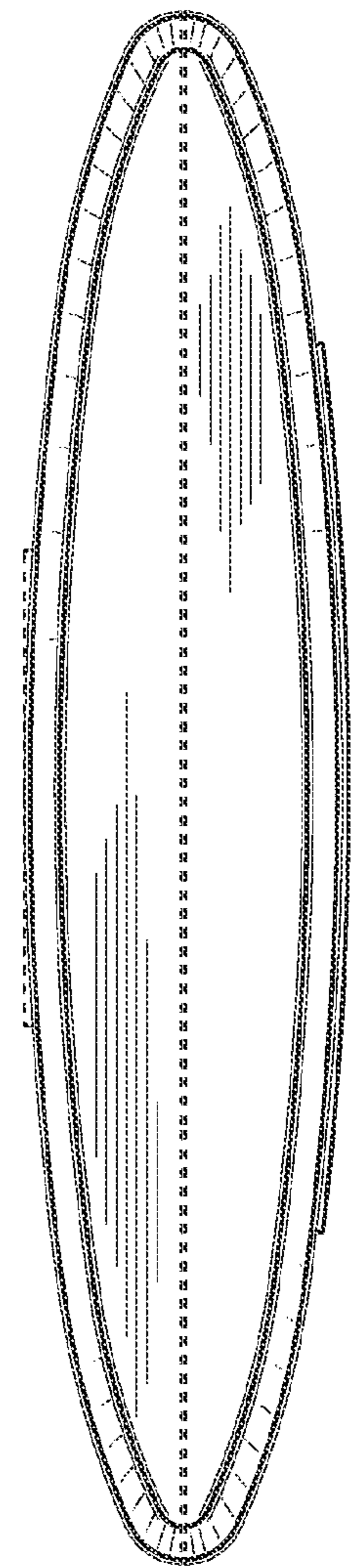


FIG. 6

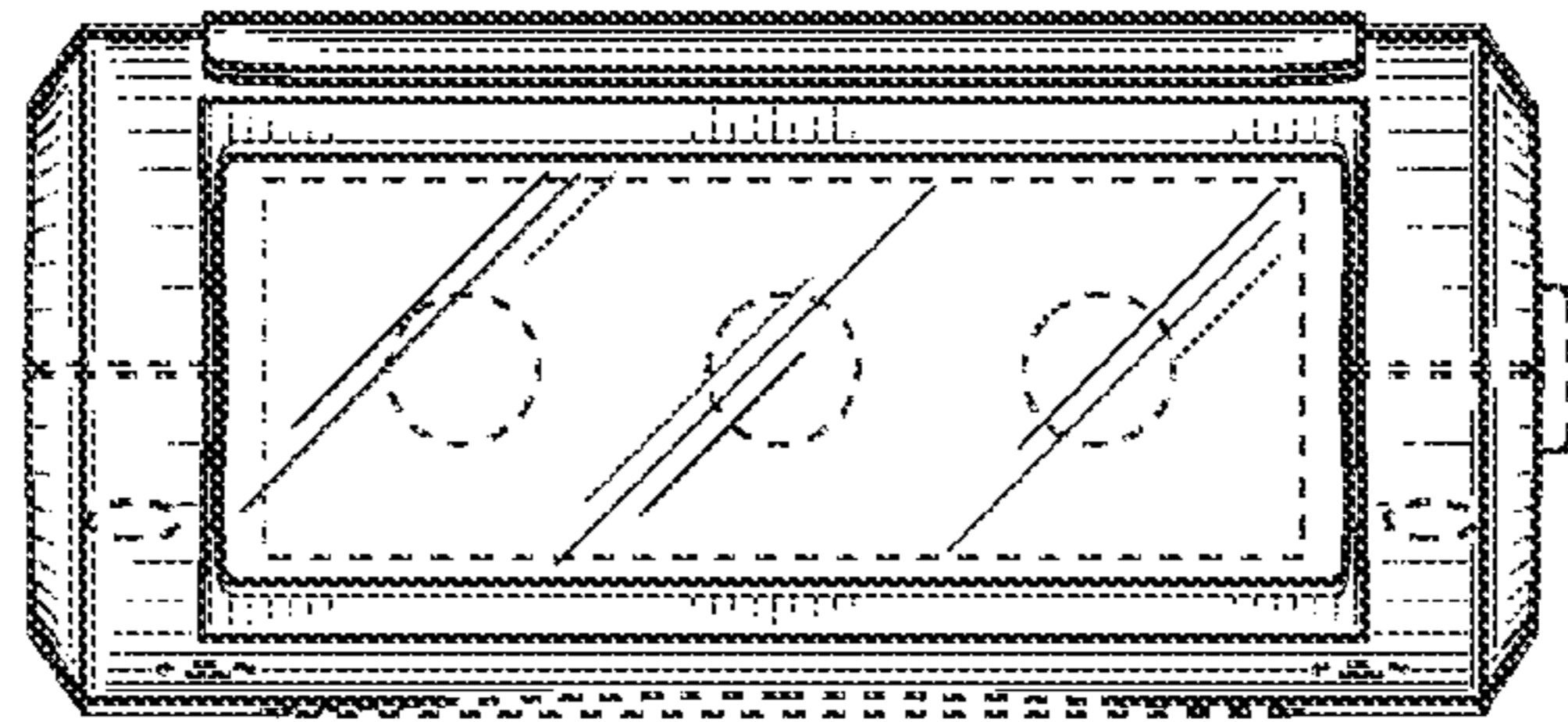


FIG. 7

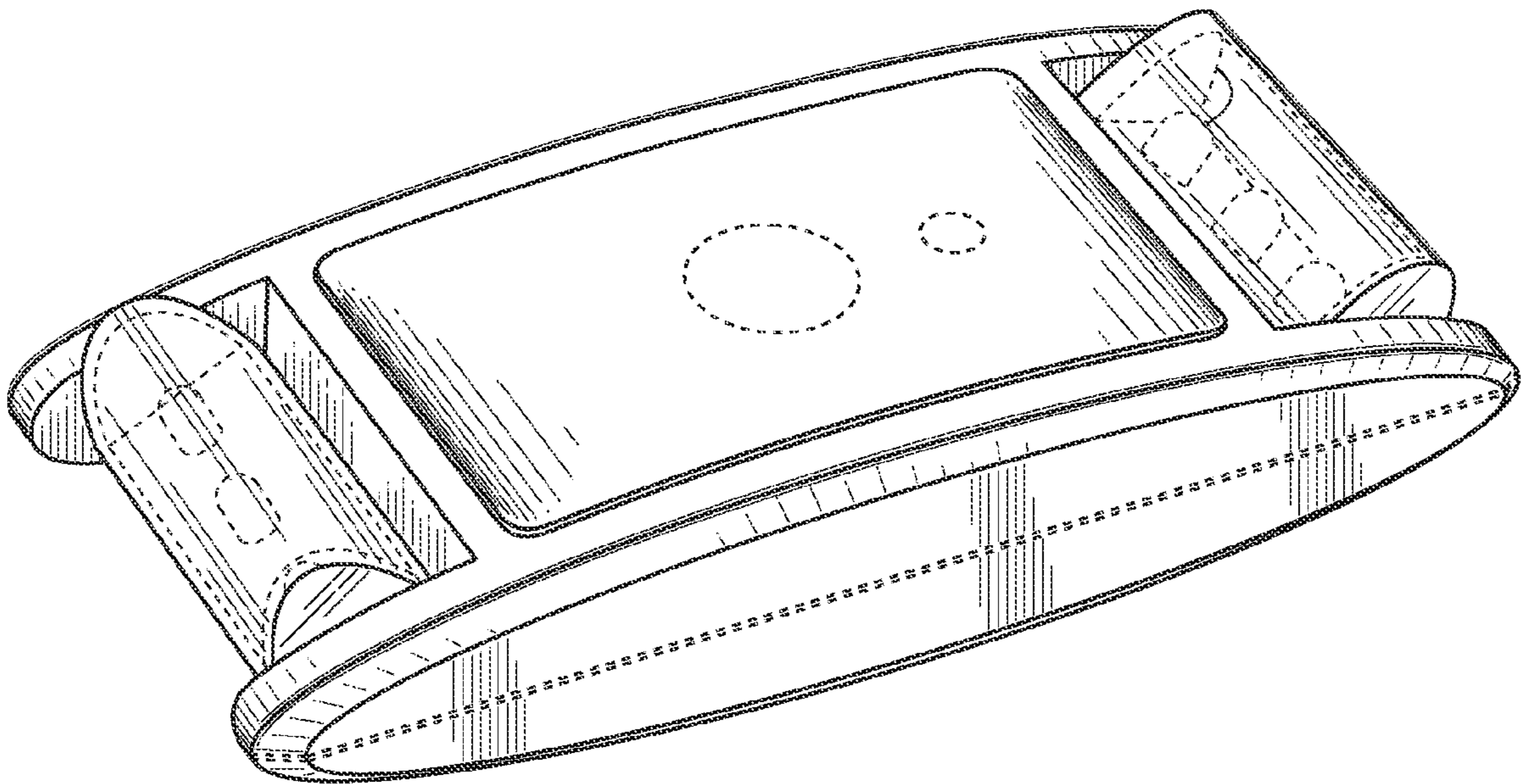


FIG. 8