



US00D607130S

(12) **United States Design Patent**  
**Hiratsuka**

(10) **Patent No.:** **US D607,130 S**

(45) **Date of Patent:** **\*\* Dec. 29, 2009**

(54) **PORTABLE SPOTLIGHT WITH BATTERY CASE**

(75) Inventor: **Toshio Hiratsuka**, Tokyo (JP)

(73) Assignee: **Mirai Environment Development Laboratory Co., Ltd.**, Tokyo (JP)

(\*\*) Term: **14 Years**

(21) Appl. No.: **29/325,145**

(22) Filed: **Sep. 26, 2008**

(30) **Foreign Application Priority Data**

Mar. 26, 2008 (JP) ..... 20080007524

(51) **LOC (9) Cl.** ..... **26-02**

(52) **U.S. Cl.** ..... **D26/44**

(58) **Field of Classification Search** ..... D26/37,  
D26/38, 39, 42, 45, 46, 48, 44; 362/157,  
362/158, 183, 184, 187, 190, 191, 199, 200,  
362/201, 208

See application file for complete search history.

(56) **References Cited**

**U.S. PATENT DOCUMENTS**

D292,616 S *	11/1987	Sexton	.....	D26/37
D311,780 S *	10/1990	Urquhart	.....	D26/46
D497,683 S *	10/2004	Cooper	.....	D26/39
D504,531 S *	4/2005	Bhavnani	.....	D26/38
D505,507 S *	5/2005	Han-Shim	.....	D26/42
D536,812 S *	2/2007	Bayat et al.	.....	D26/37
D539,456 S *	3/2007	Sassoon et al.	.....	D26/37
D563,003 S *	2/2008	Aleksjew	.....	D26/37

D574,986 S *	8/2008	Kumthampinij et al.	.....	D26/60
7,481,554 B2 *	1/2009	Anderson et al.	.....	362/183
2005/0007778 A1 *	1/2005	Lin	.....	362/250
2007/0058365 A1 *	3/2007	Anderson et al.	.....	362/198
2008/0239715 A1 *	10/2008	Deighton et al.	.....	362/183

\* cited by examiner

*Primary Examiner*—Charles A Rademaker

*Assistant Examiner*—Carissa C Fitts

(74) *Attorney, Agent, or Firm*—Jean C. Edwards, Esq.; Akerman Senterfitt

(57) **CLAIM**

The ornamental design for a portable spotlight with battery case, as shown and described.

**DESCRIPTION**

FIG. 1 is a perspective view of the front, right and top of a portable spotlight with battery case showing my new design; FIG. 2 is a perspective reference view of the rear, left and top thereof;

FIG. 3 is a front view thereof;

FIG. 4 is a rear view thereof;

FIG. 5 is a top plan view thereof;

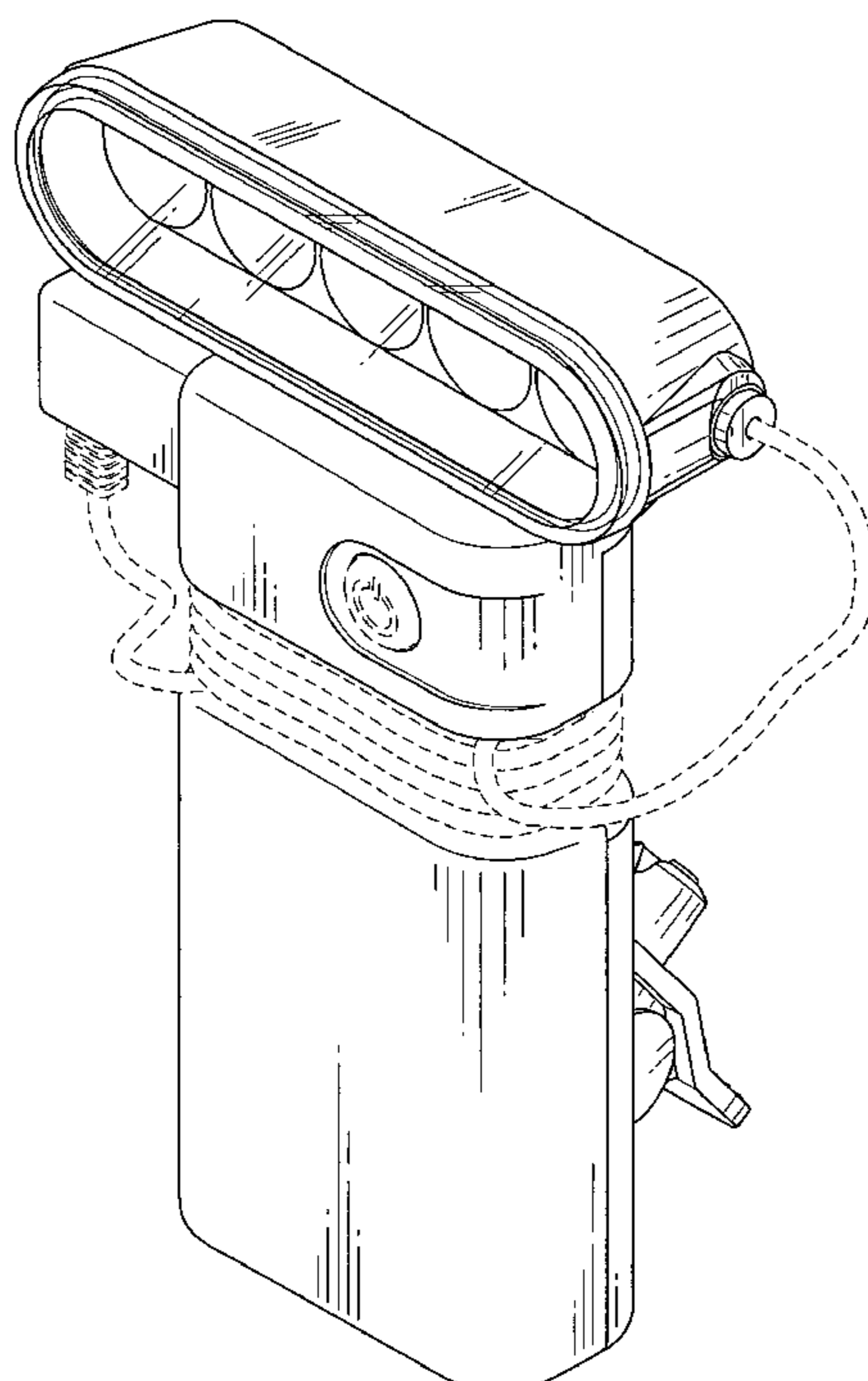
FIG. 6 is a bottom view thereof;

FIG. 7 is a right side view thereof; and,

FIG. 8 is a left side view thereof.

The portions shown in broken lines are for illustrative purposes only and form no part of the claimed design.

**1 Claim, 8 Drawing Sheets**



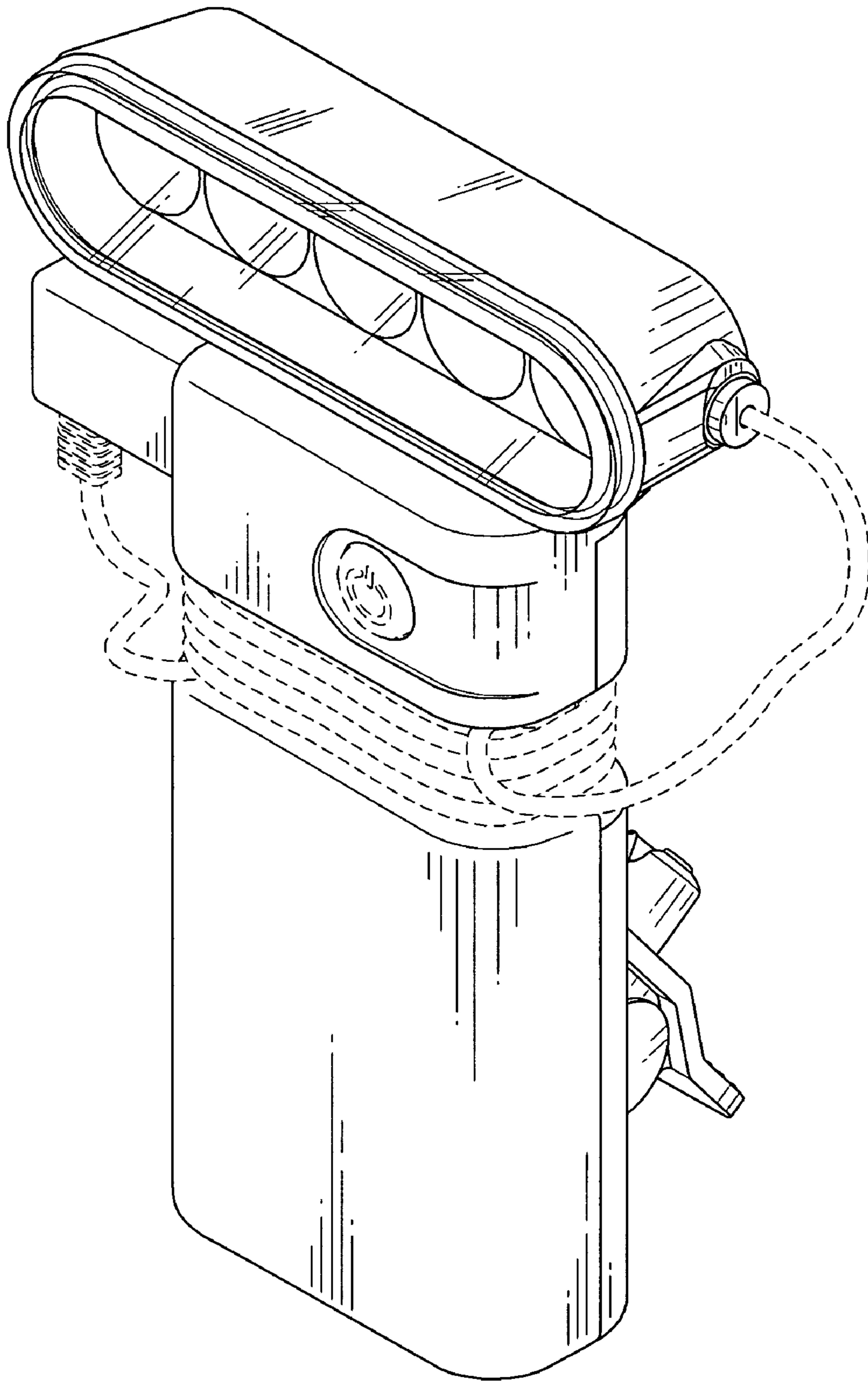


FIG. 1

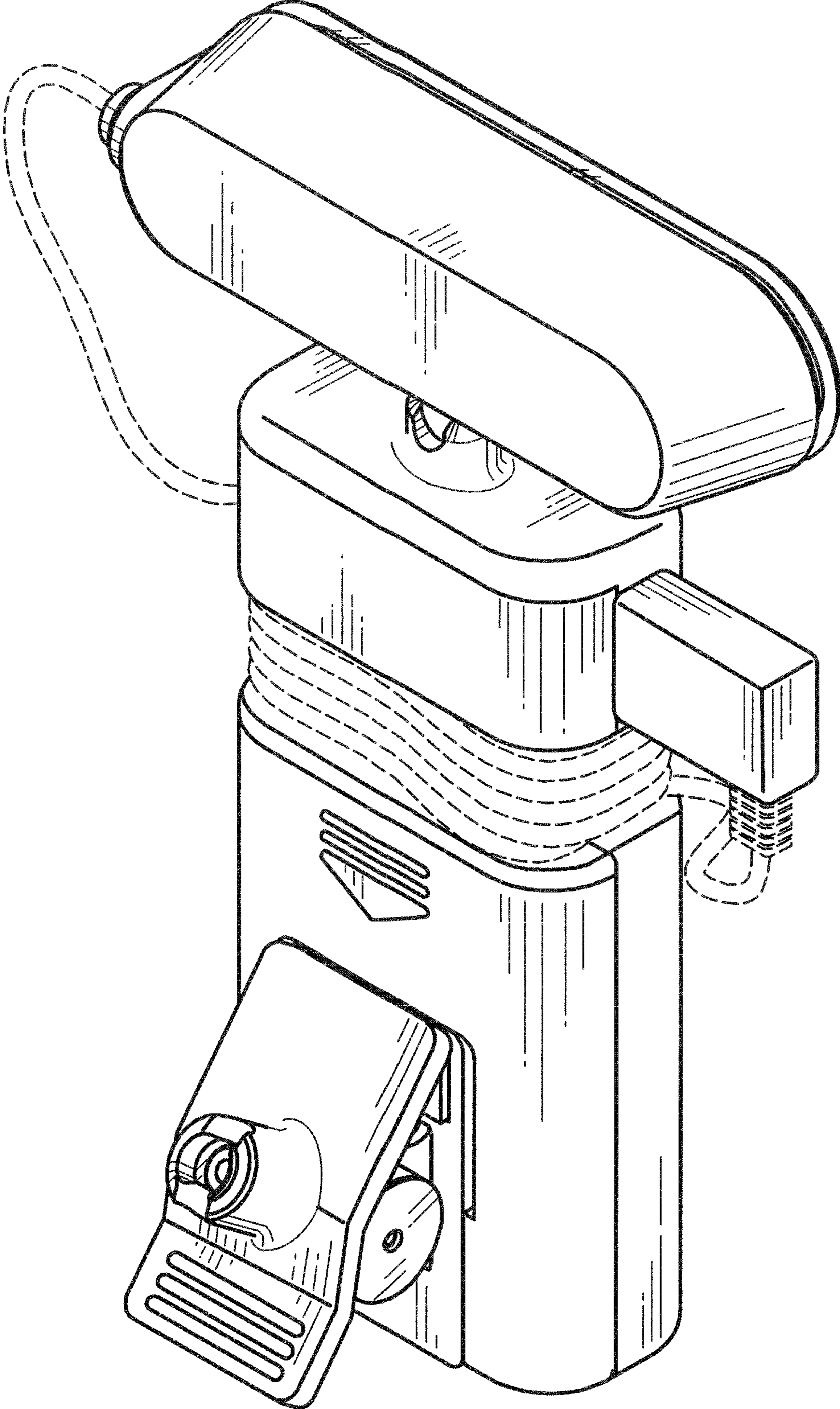


FIG. 2

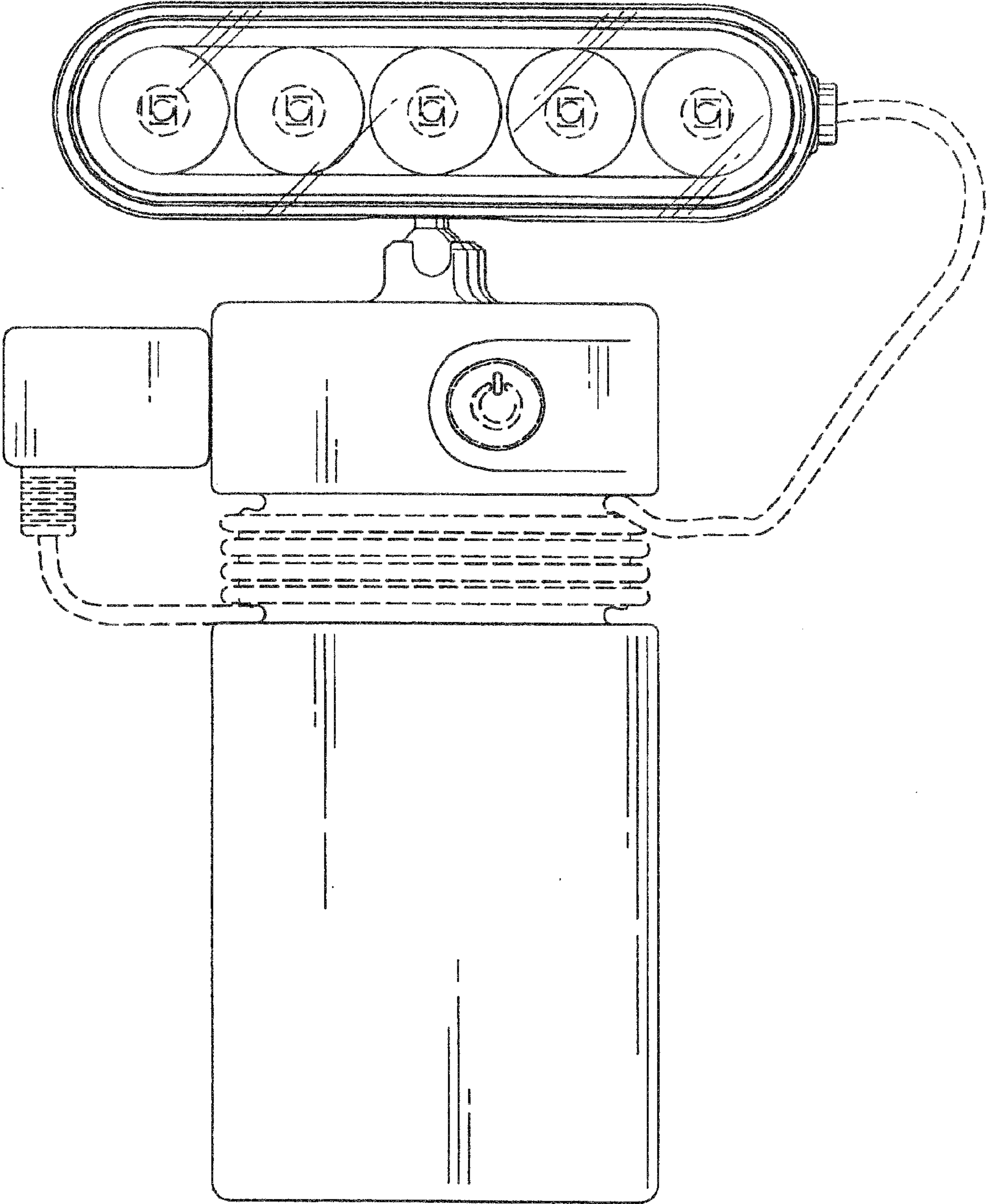


FIG. 3

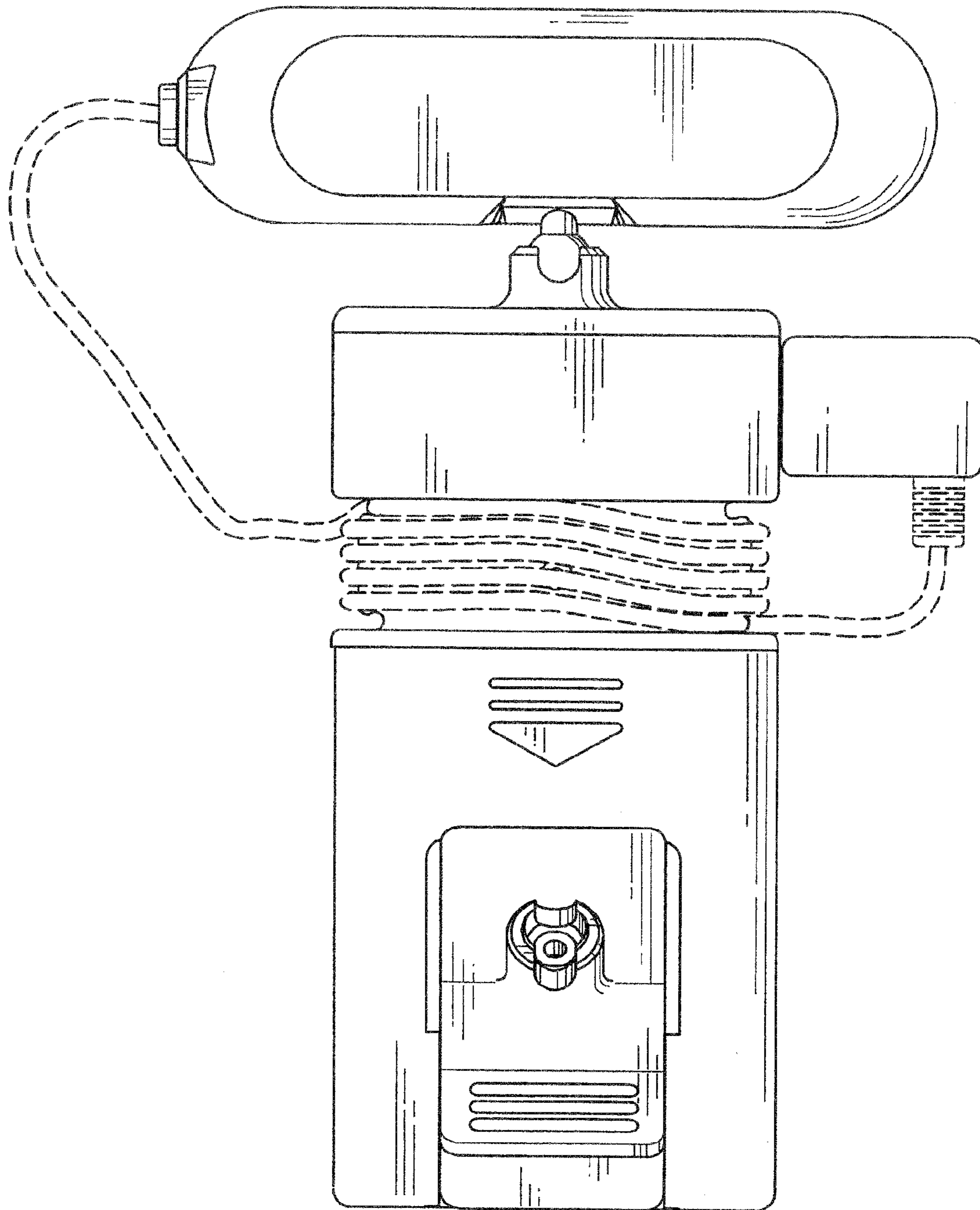


FIG. 4

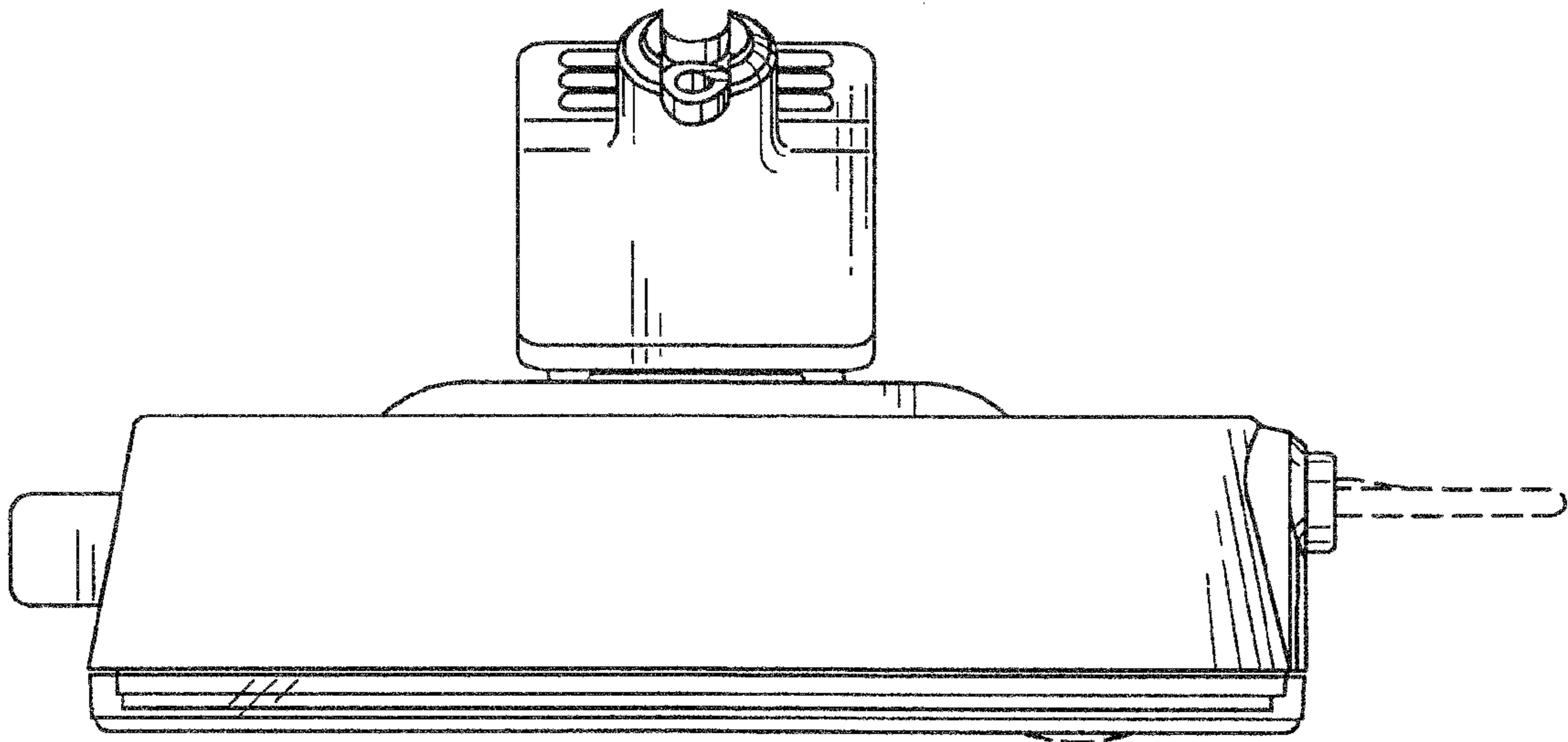


FIG. 5

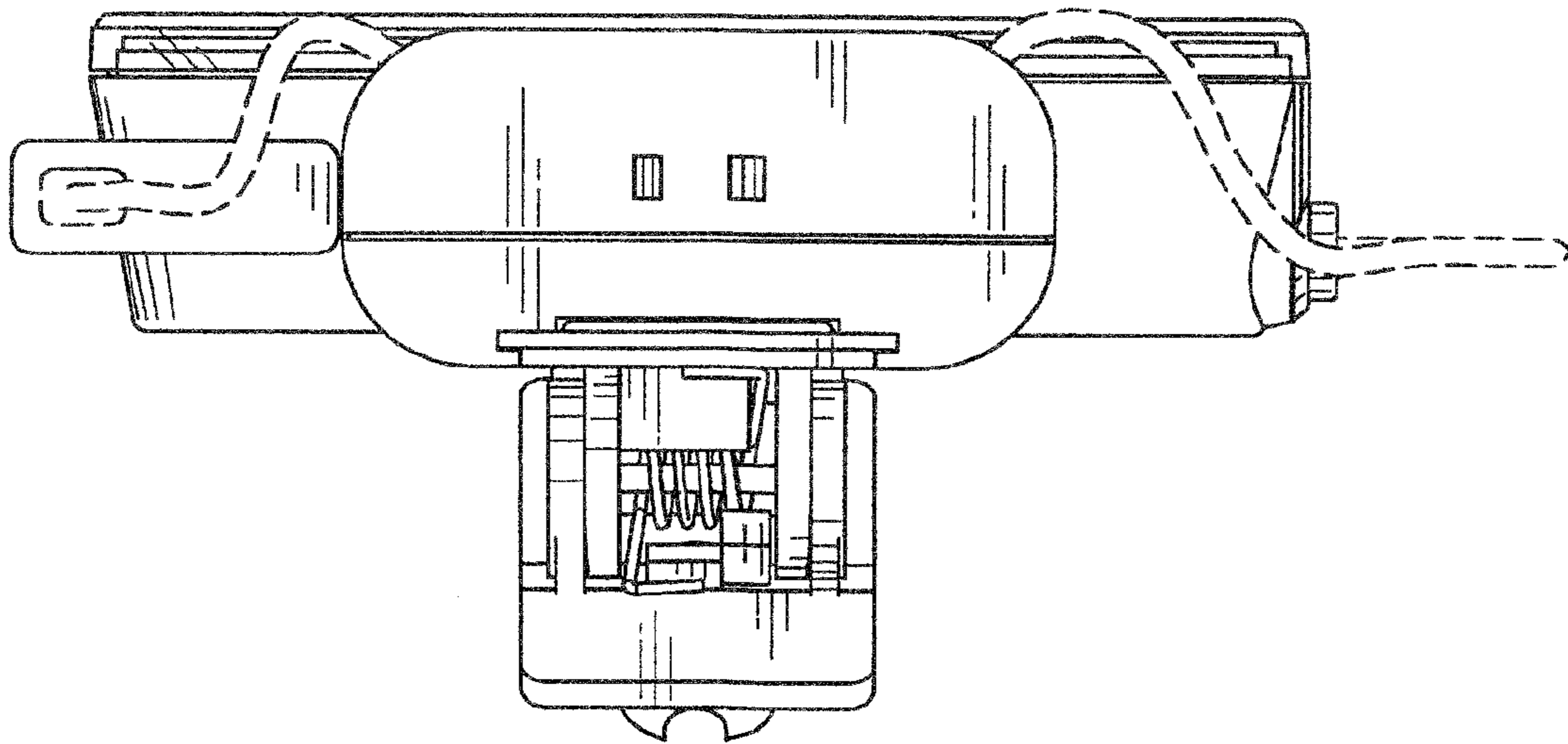


FIG. 6

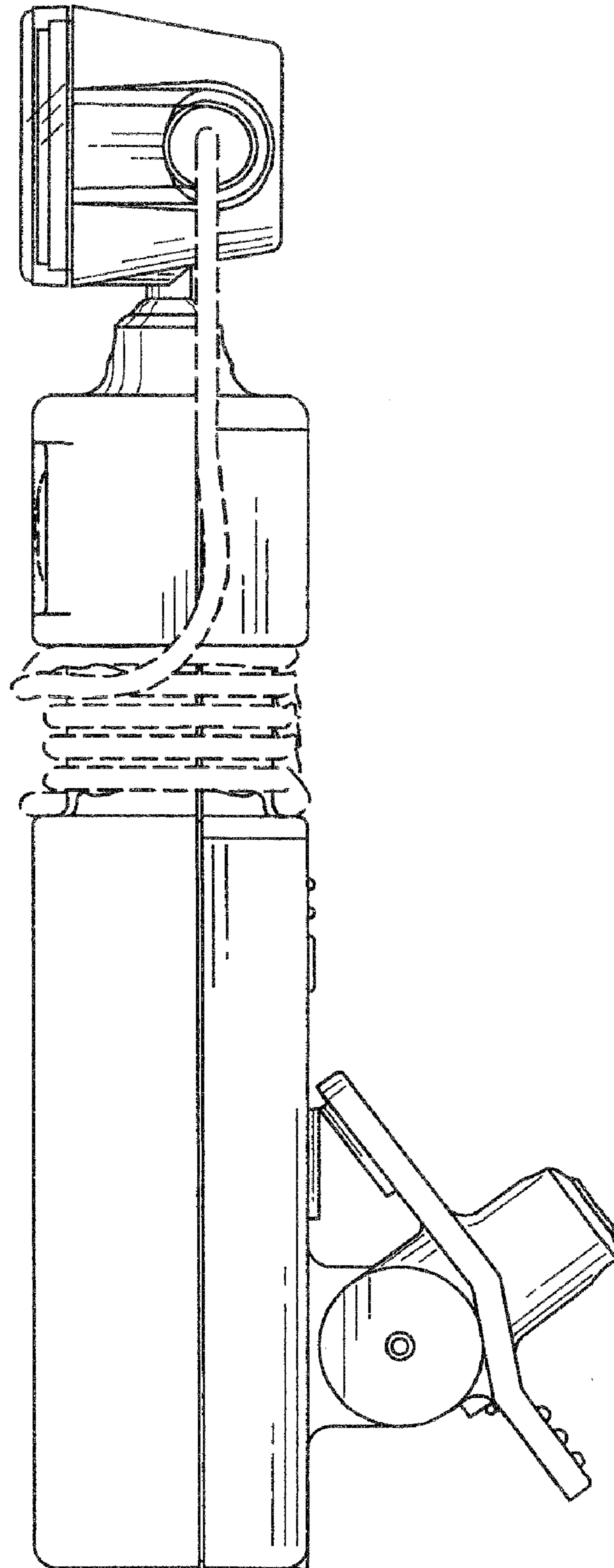


FIG. 7



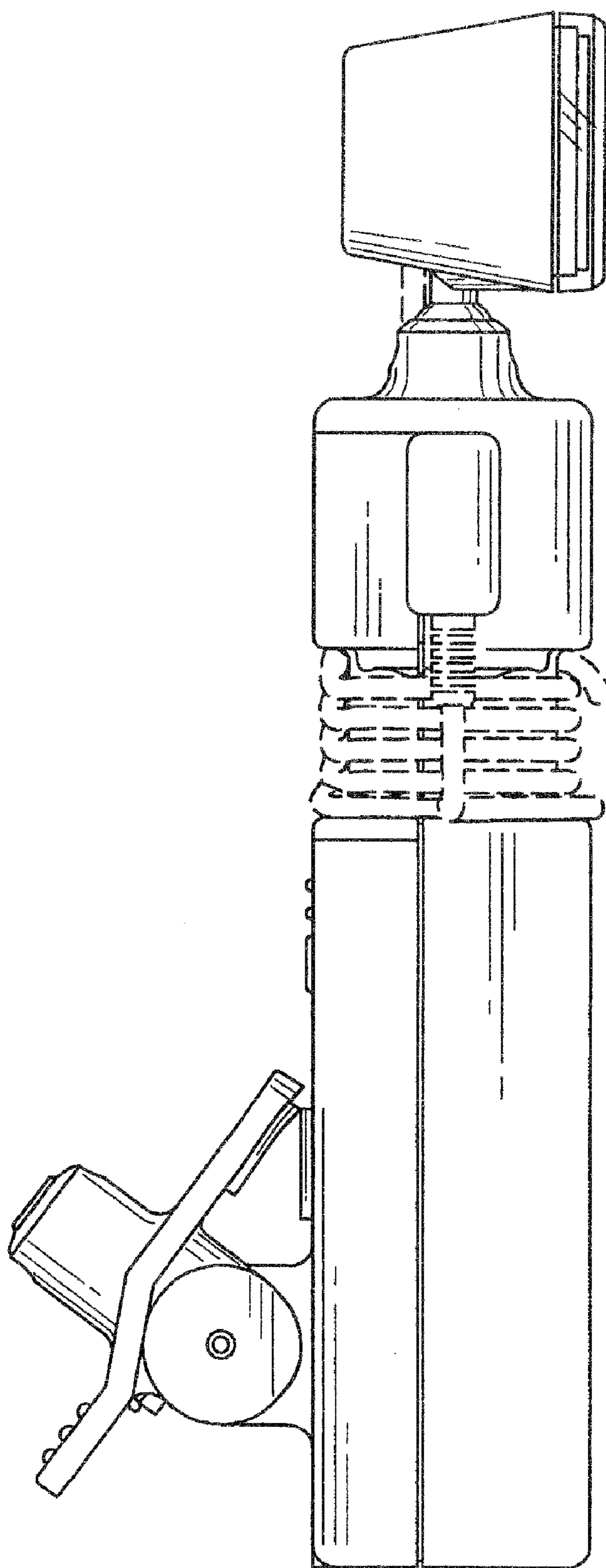


FIG. 8