



US00D607126S

(12) **United States Design Patent**
Sakai et al.

(10) **Patent No.:** **US D607,126 S**
(45) **Date of Patent:** **** Dec. 29, 2009**

(54) **LAMP FOR PROJECTOR**

(75) Inventors: **Yohei Sakai**, Matsumoto (JP); **Akira Hashimoto**, Shiojiri (JP)

(73) Assignee: **Seiko Epson Corporation**, Tokyo (JP)

(**) Term: **14 Years**

(21) Appl. No.: **29/342,475**

(22) Filed: **Aug. 26, 2009**

(30) **Foreign Application Priority Data**

Jun. 5, 2009 (JP) 2009-012706

(51) **LOC (9) Cl.** **26-04**

(52) **U.S. Cl.** **D26/1**

(58) **Field of Classification Search** D26/1-4;
D16/229, 235, 236; 362/226; 353/72, 97,
353/98, 100

See application file for complete search history.

(56) **References Cited**

U.S. PATENT DOCUMENTS

4,390,935 A * 6/1983 Audesse et al. 362/306
D420,455 S * 2/2000 Haba et al. D26/1
D435,673 S * 12/2000 Schuda D26/1

* cited by examiner

Primary Examiner—Marcus A Jackson

(74) *Attorney, Agent, or Firm*—Oliff & Berridge, PLC

(57) **CLAIM**

The ornamental design for a lamp for projector, as shown and described.

DESCRIPTION

FIG. 1 is a top and front perspective view of a lamp for projector;

FIG. 2 is a bottom and front perspective view thereof;

FIG. 3 is a top and rear perspective view thereof;

FIG. 4 is a bottom and rear perspective view thereof;

FIG. 5 is a front view thereof;

FIG. 6 is a rear view thereof;

FIG. 7 is a left-side view thereof;

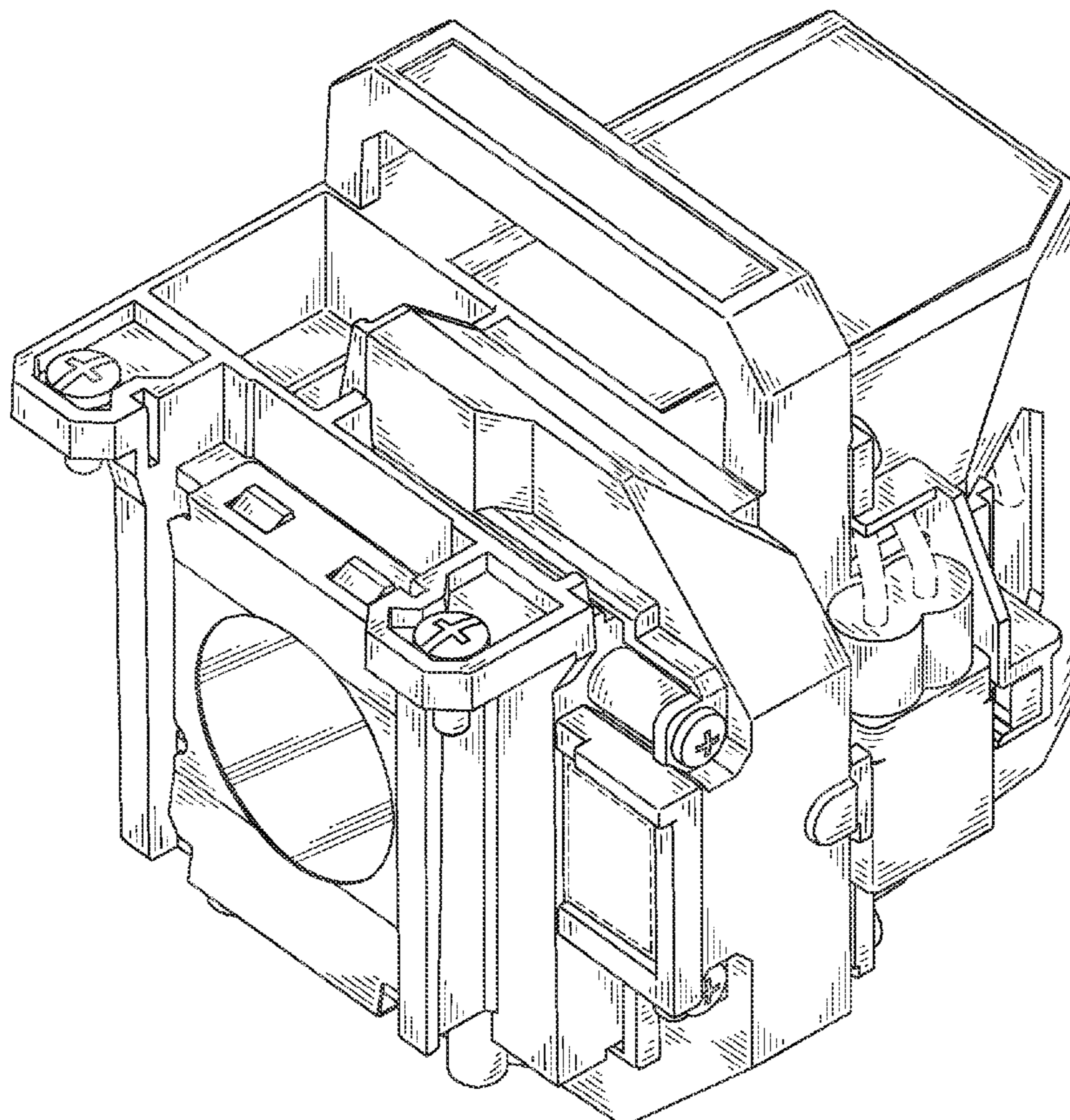
FIG. 8 is a right-side view thereof;

FIG. 9 is a top view thereof; and,

FIG. 10 is a bottom view thereof.

The broken lines depict environmental subject matter only and form no part of the claimed design.

1 Claim, 10 Drawing Sheets



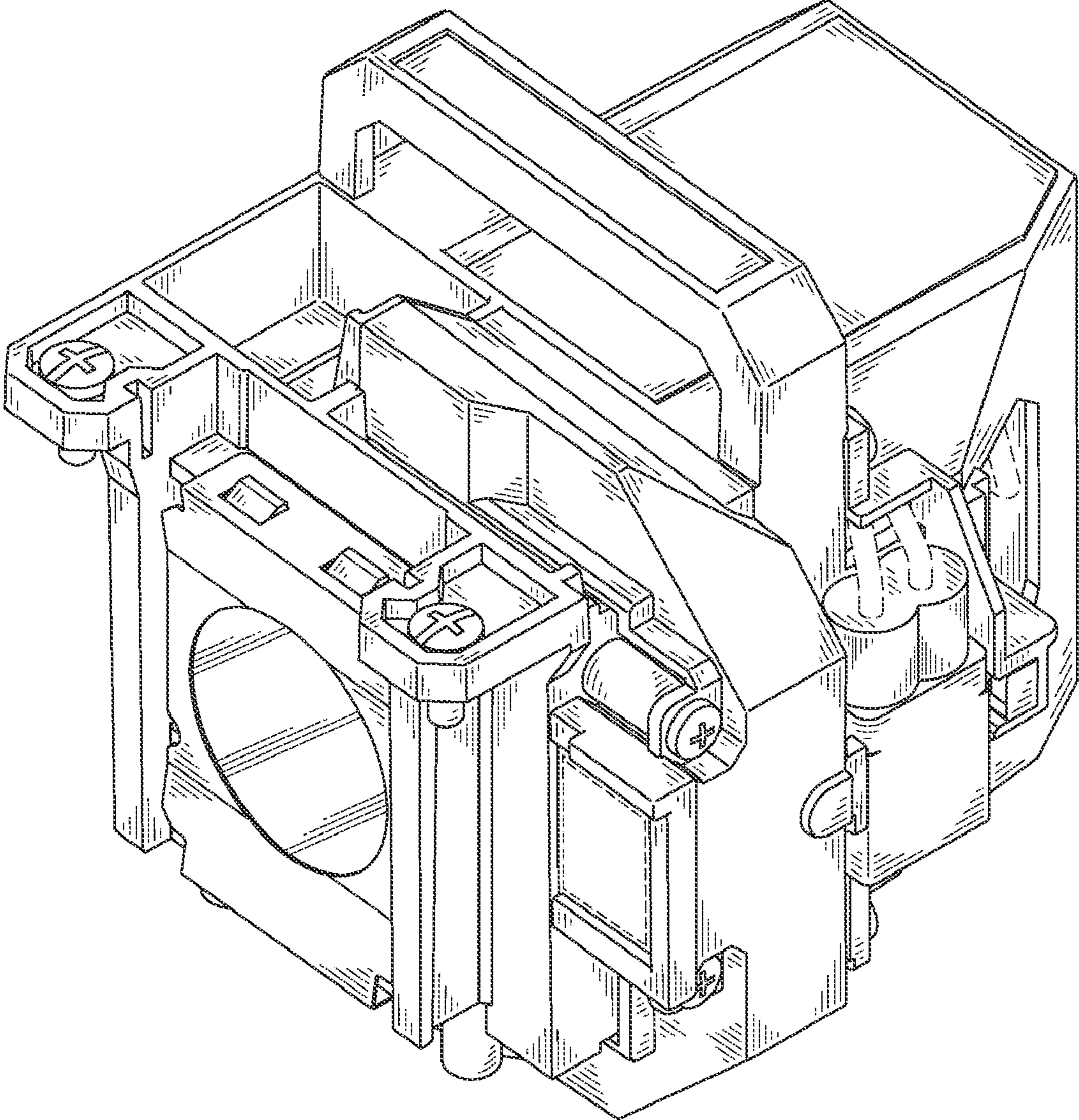


FIG. 1

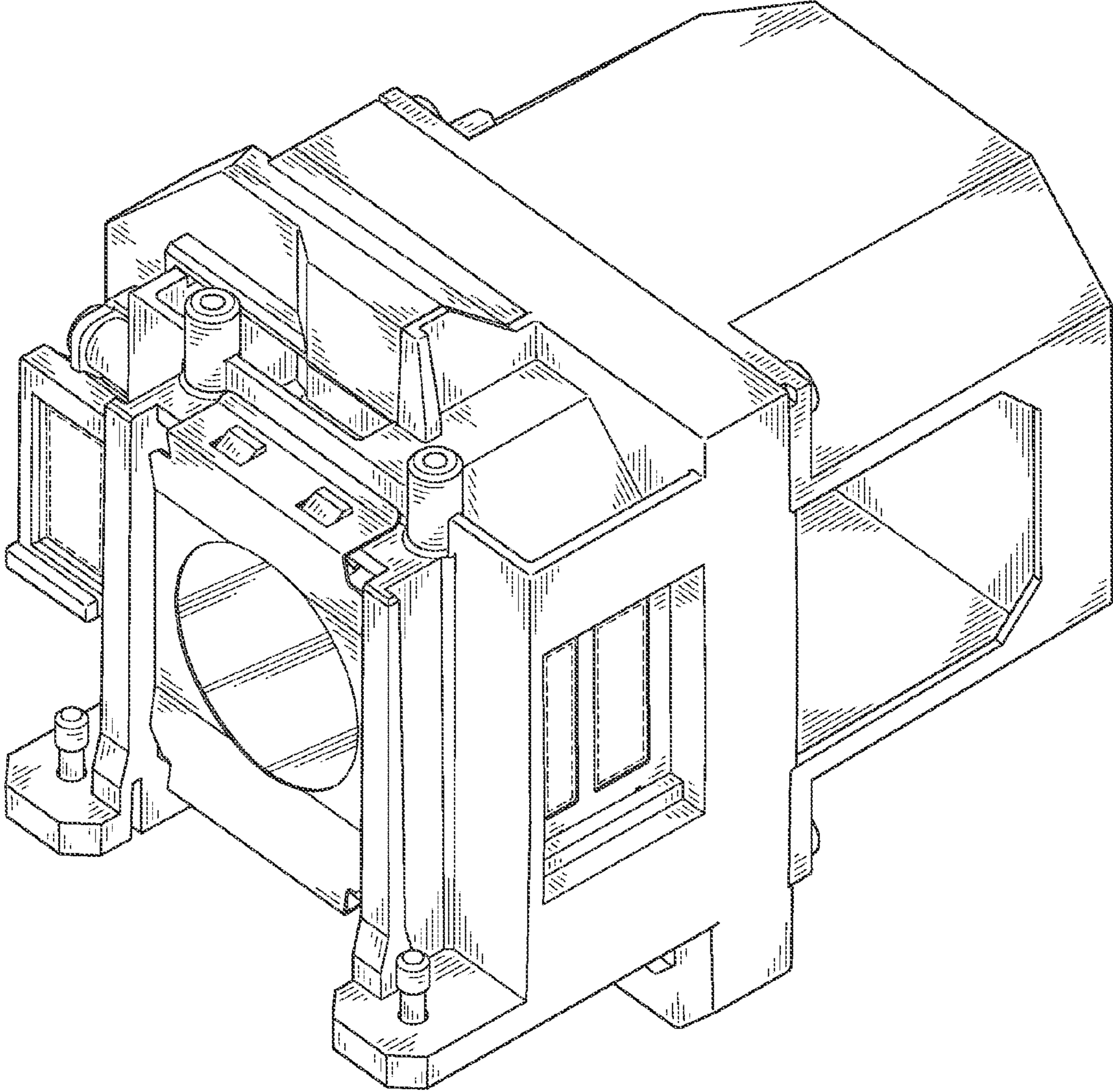


FIG. 2

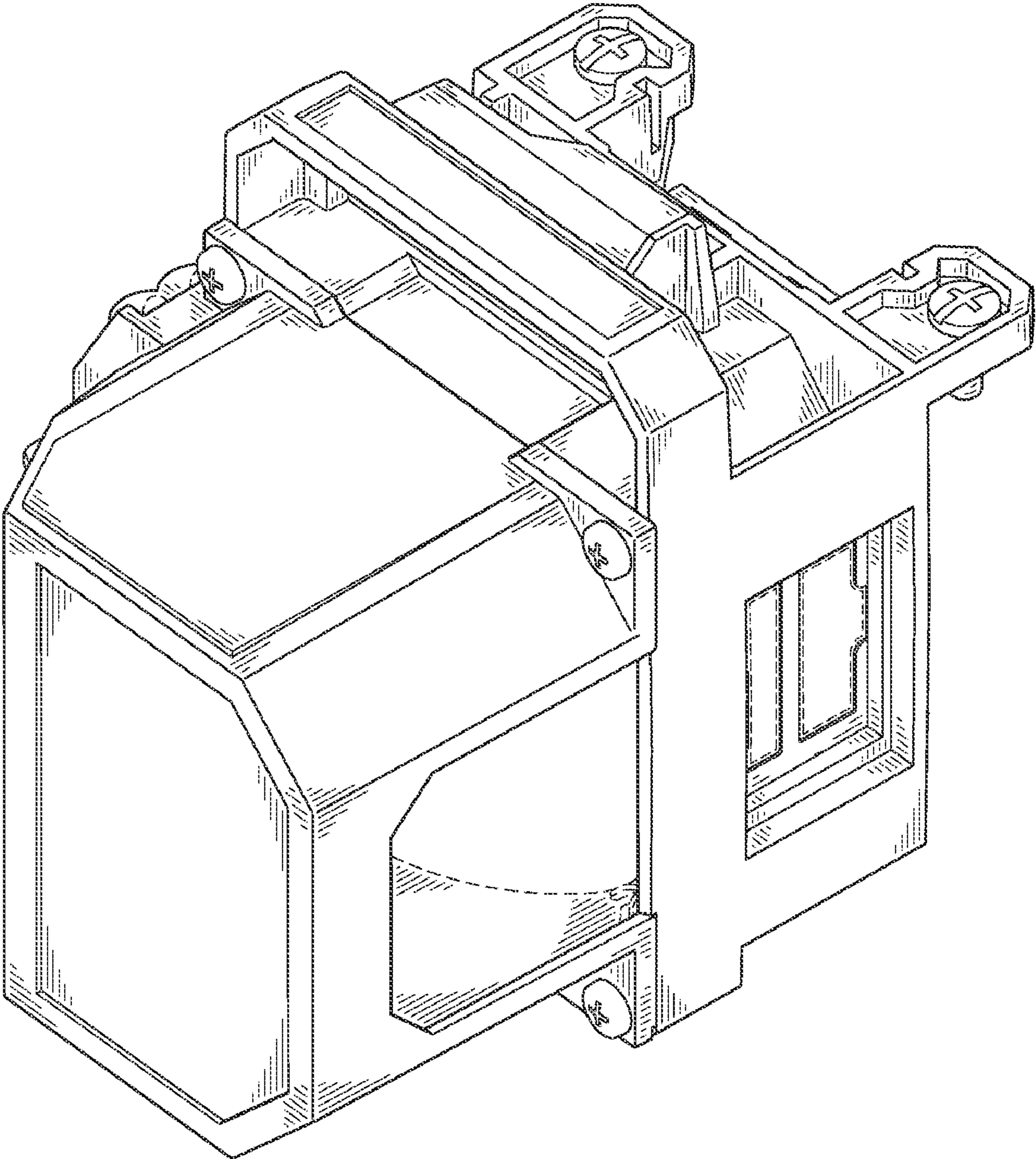


FIG. 3

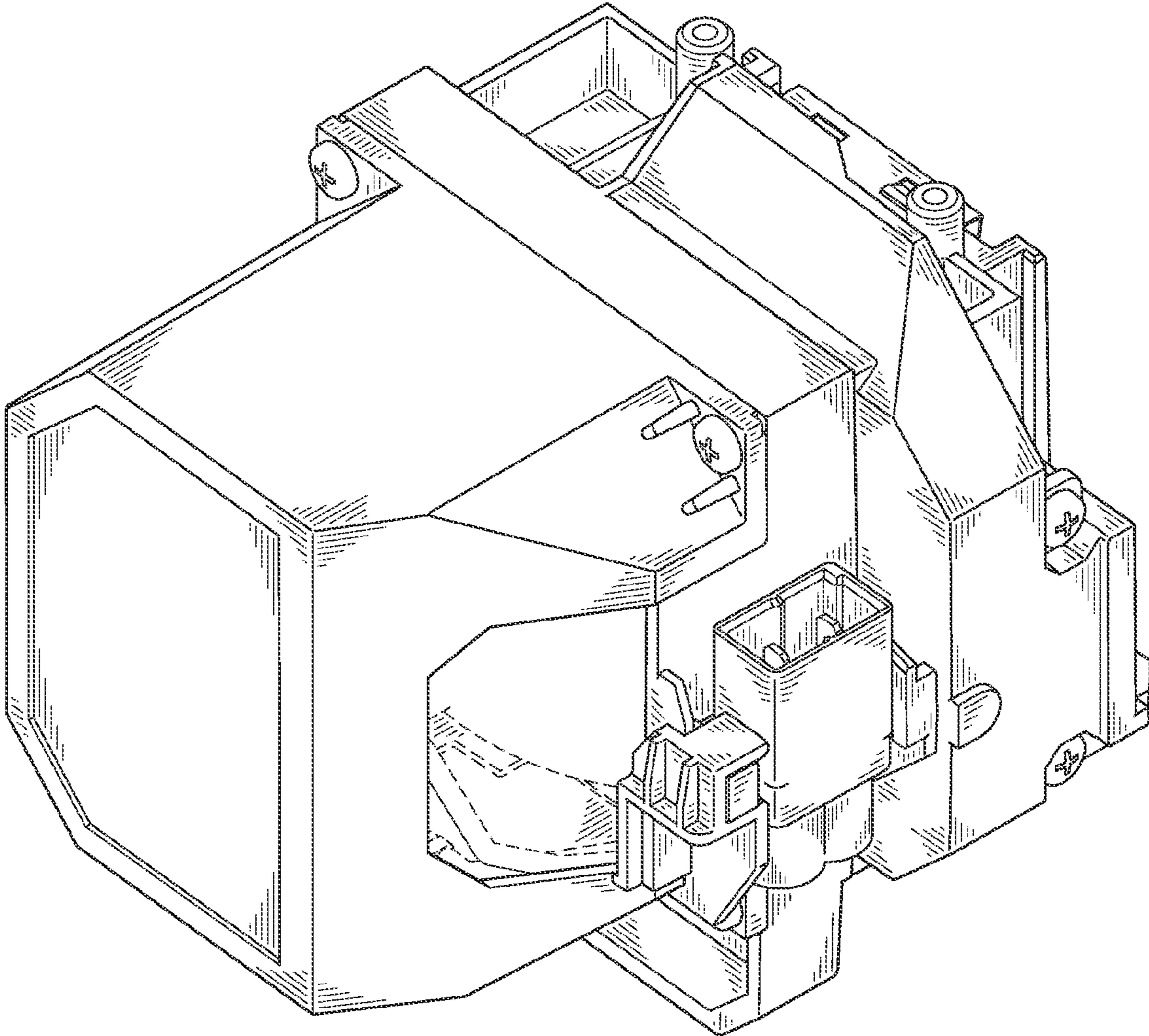


FIG. 4

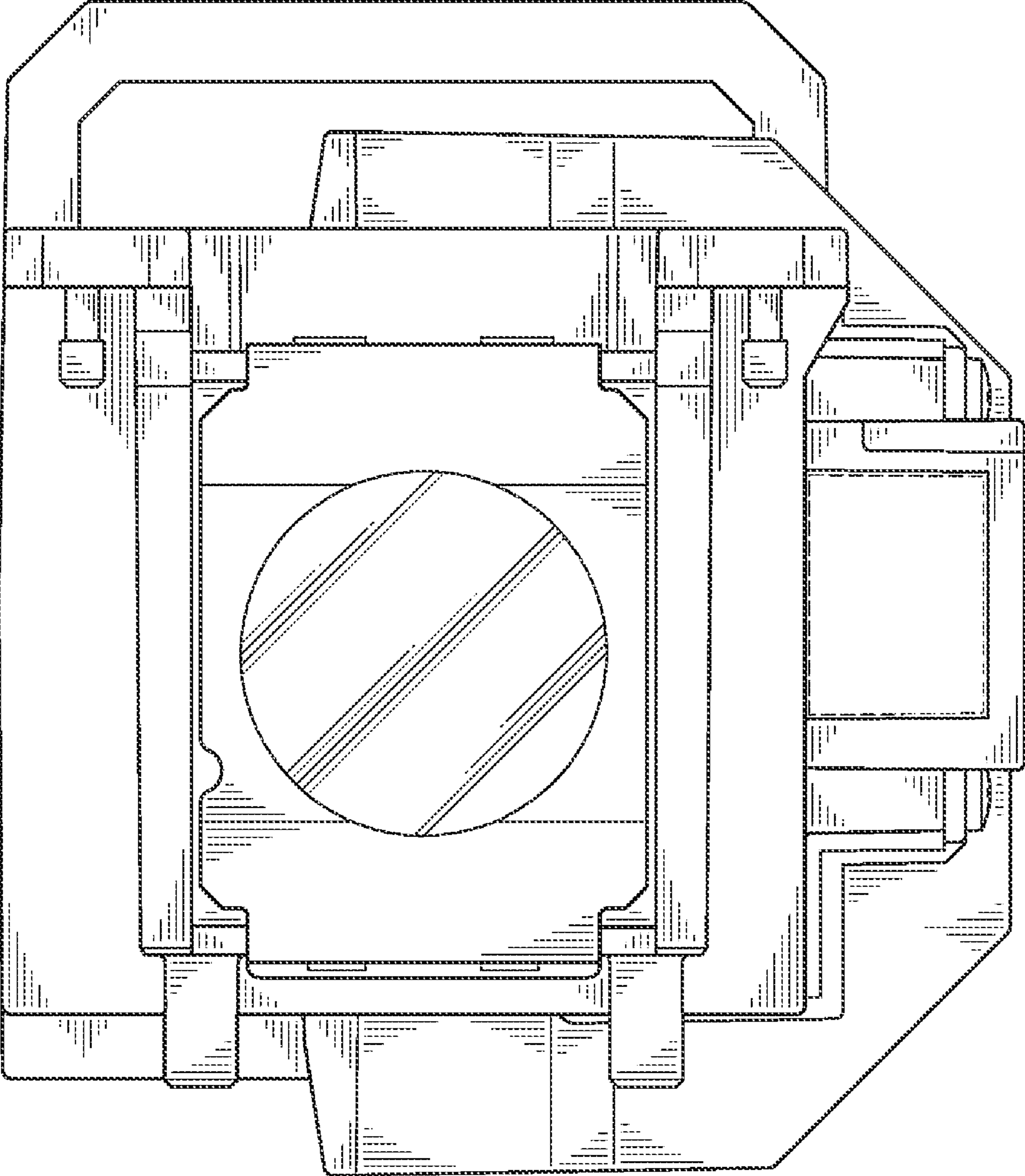


FIG. 5

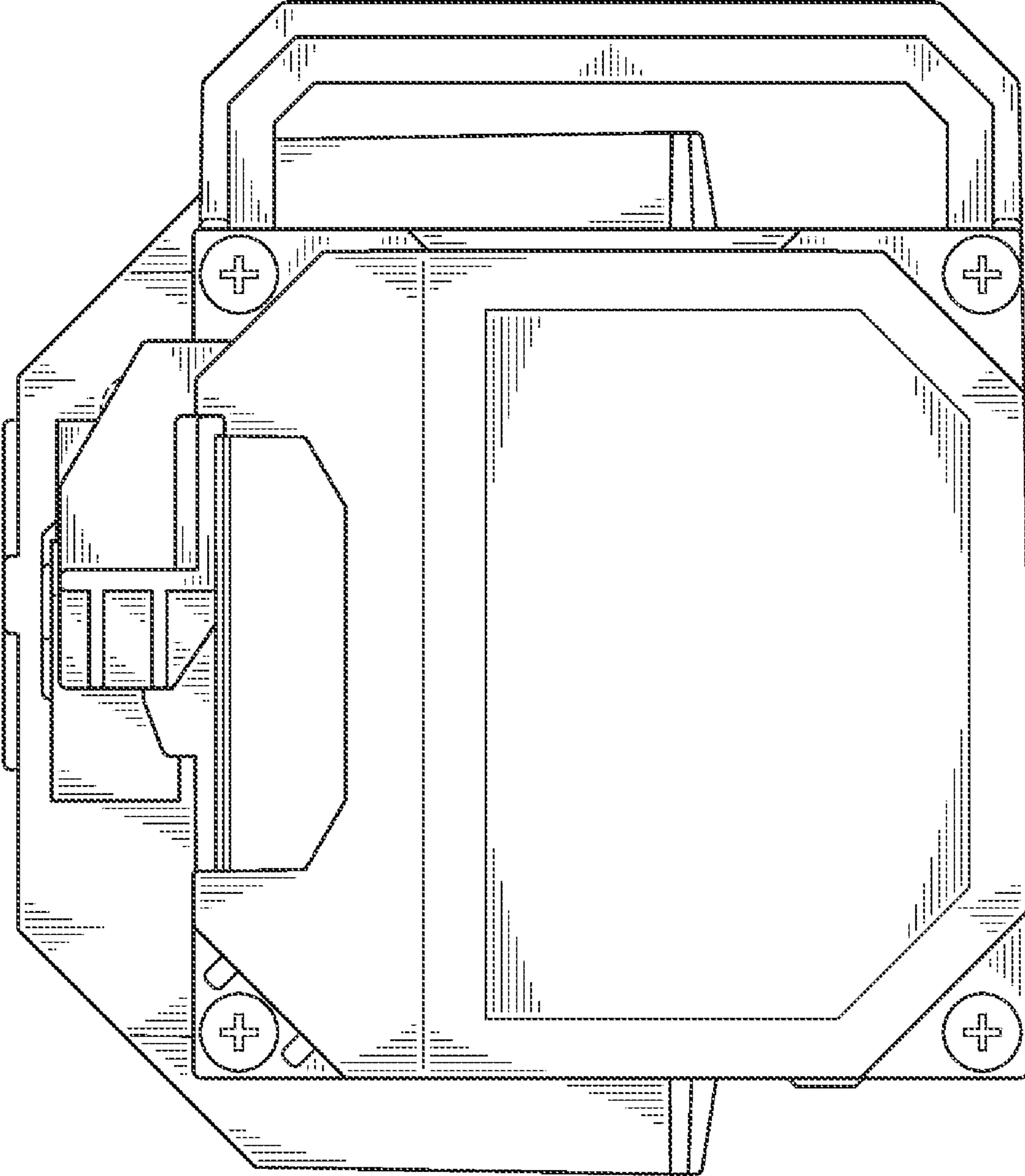


FIG. 6

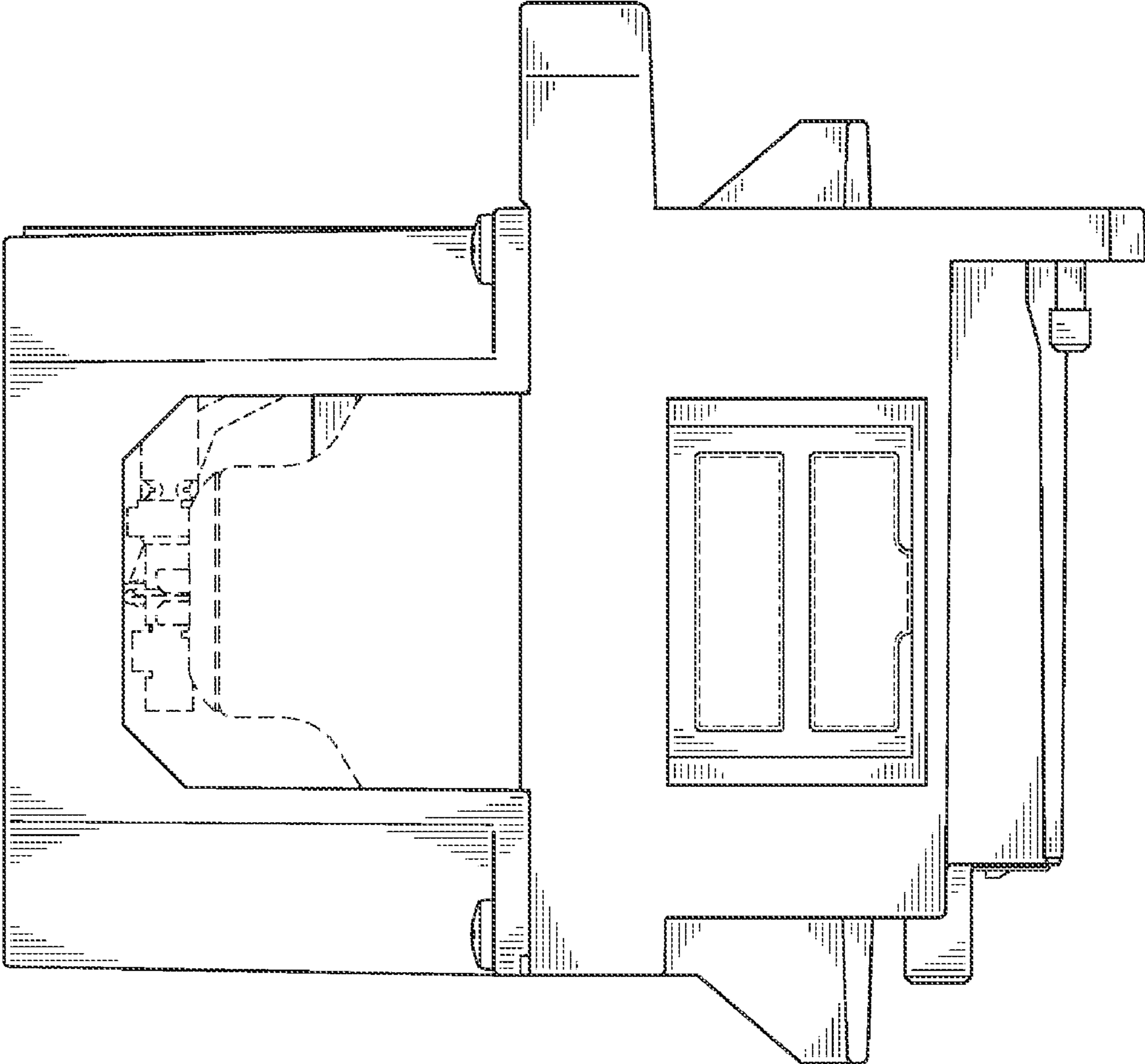


FIG. 7

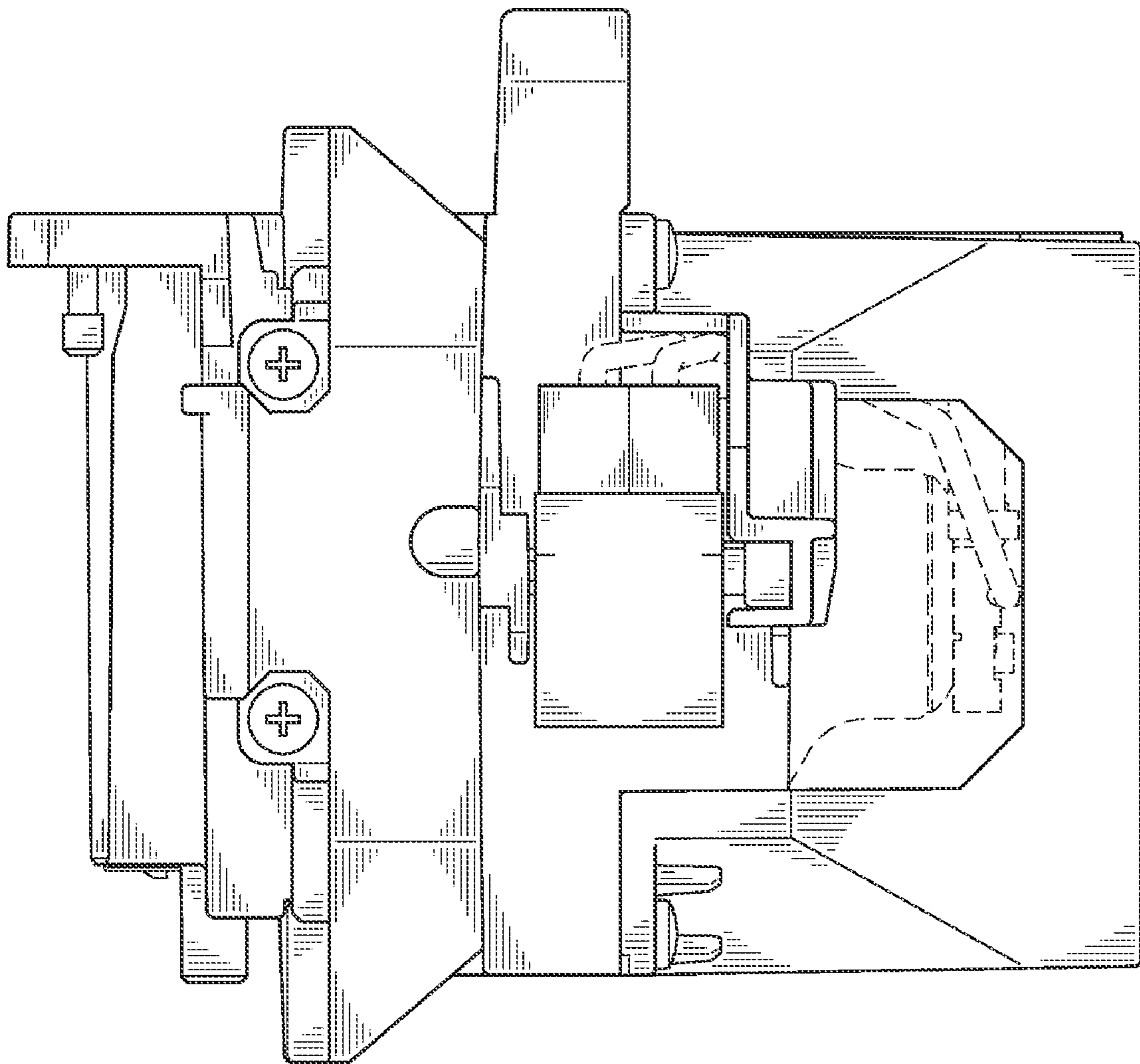


FIG. 8

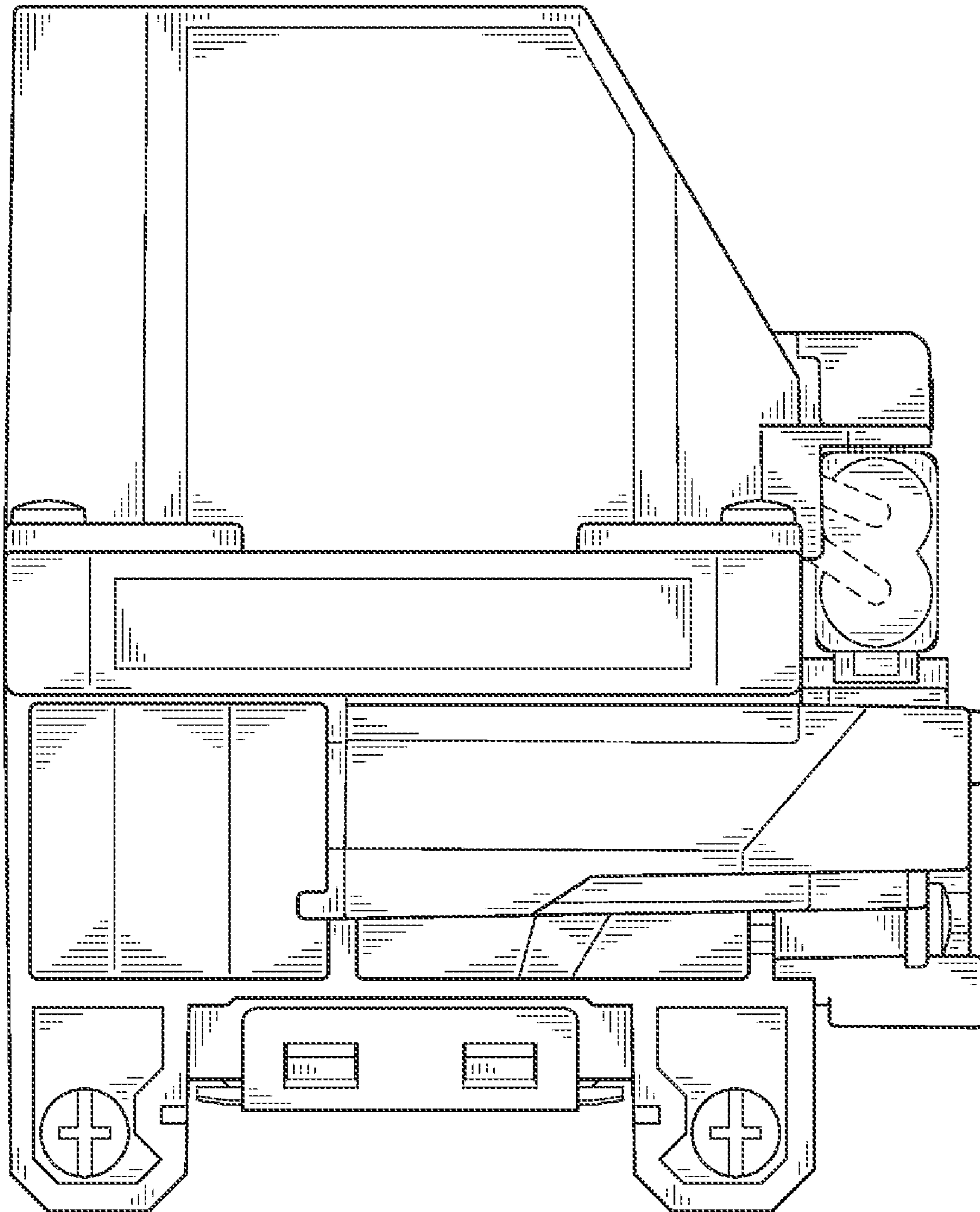


FIG. 9

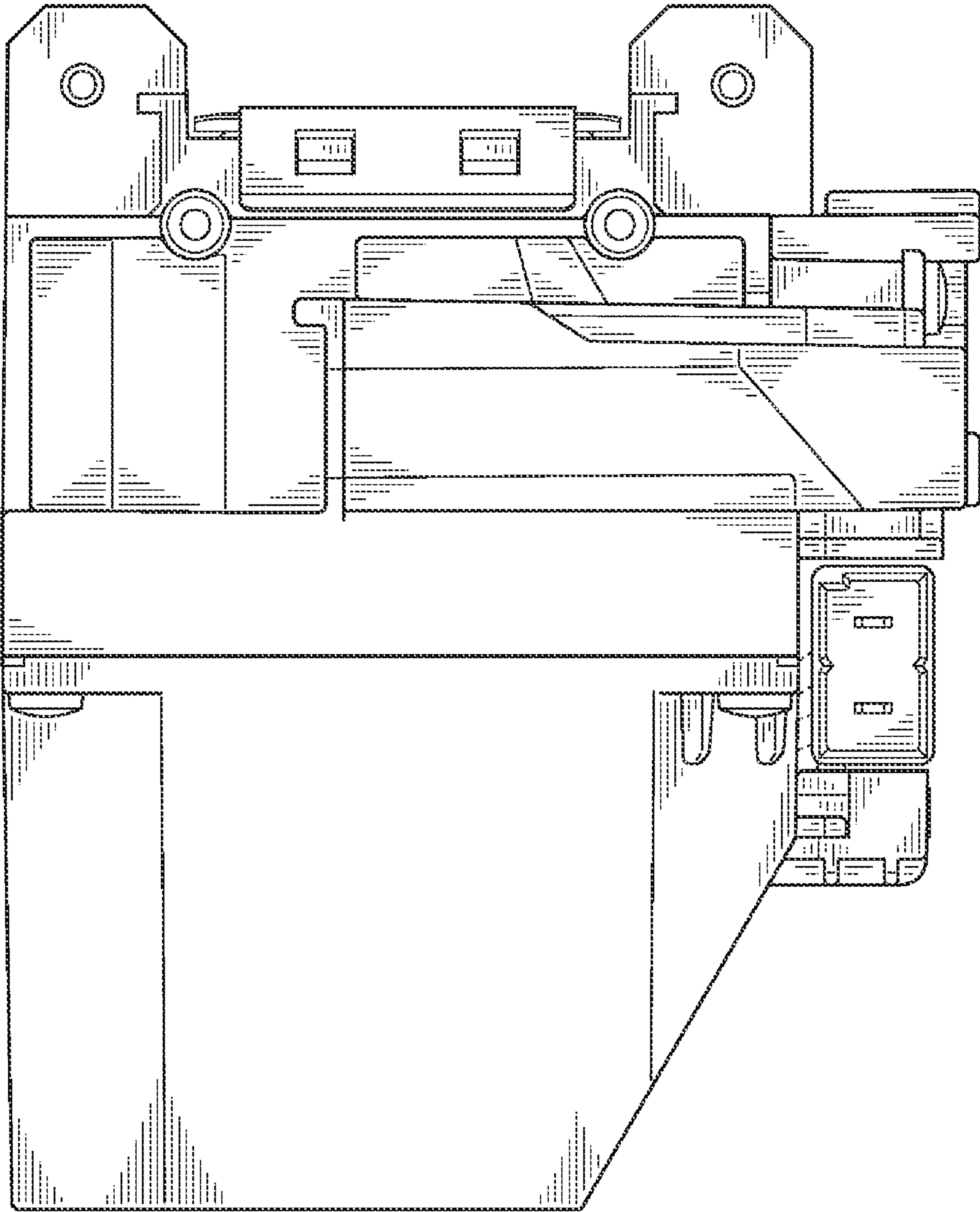


FIG. 10