



US00D607124S

(12) **United States Design Patent**
Charette

(10) **Patent No.:** **US D607,124 S**
(45) **Date of Patent:** **** Dec. 29, 2009**

(54) **POST WITH CROWN HAVING TWO POINTS OF ADJUSTMENT**

(75) Inventor: **Pierre Charette**, Notre-Dame-du-Mont Carmel (CA)

(73) Assignee: **9143-8010 Quebec Inc.**, Quebec (CA)

(**) Term: **14 Years**

(21) Appl. No.: **29/309,275**

(22) Filed: **Jul. 17, 2008**

Related U.S. Application Data

(63) Continuation-in-part of application No. 29/280,886, filed on Jun. 8, 2007, now Pat. No. Des. 575,415.

(30) **Foreign Application Priority Data**

Jan. 23, 2007 (CA) 119133

(51) **LOC (9) Cl.** **25-01**

(52) **U.S. Cl.** **D25/133**

(58) **Field of Classification Search** D25/133,
D25/131, 134; 52/153, 155, 166, 159, 158,
52/165; 256/65.03, 63, 64, 65.14

See application file for complete search history.

(56) **References Cited**

U.S. PATENT DOCUMENTS

D389,252	S	*	1/1998	Alberson et al.	D25/133
5,709,366	A	*	1/1998	Speece	248/530
5,881,495	A	*	3/1999	Clark	47/48.5
6,039,298	A	*	3/2000	Stier	248/545
D424,713	S	*	5/2000	Blackwell	D25/131

* cited by examiner

Primary Examiner—Doris Clark

(74) *Attorney, Agent, or Firm*—Hoffman, Wasson & Gitler, P.C.

(57) **CLAIM**

The ornamental design for a post with crown having two points of adjustment, as shown, and described.

DESCRIPTION

FIG. 1 is a perspective view of the post with crown having two points of adjustment;

FIG. 2 is a front view of the post with crown having two points of adjustment;

FIG. 3 is a back view of the post with crown having two points of adjustment;

FIG. 4 is a left side view of the post with crown having two points of adjustment;

FIG. 5 is a right side view of the post with crown having two points of adjustment;

FIG. 6 is a top view of the post with crown having two points of adjustment;

FIG. 7 is a bottom view of the post with crown having two points of adjustment;

FIG. 8 is a perspective view of an alternative embodiment of the post with crown having two points of adjustment;

FIG. 9 is a front view of an alternative embodiment of the post with crown having two points of adjustment;

FIG. 10 is a back view of an alternative embodiment of the post with crown having two points of adjustment;

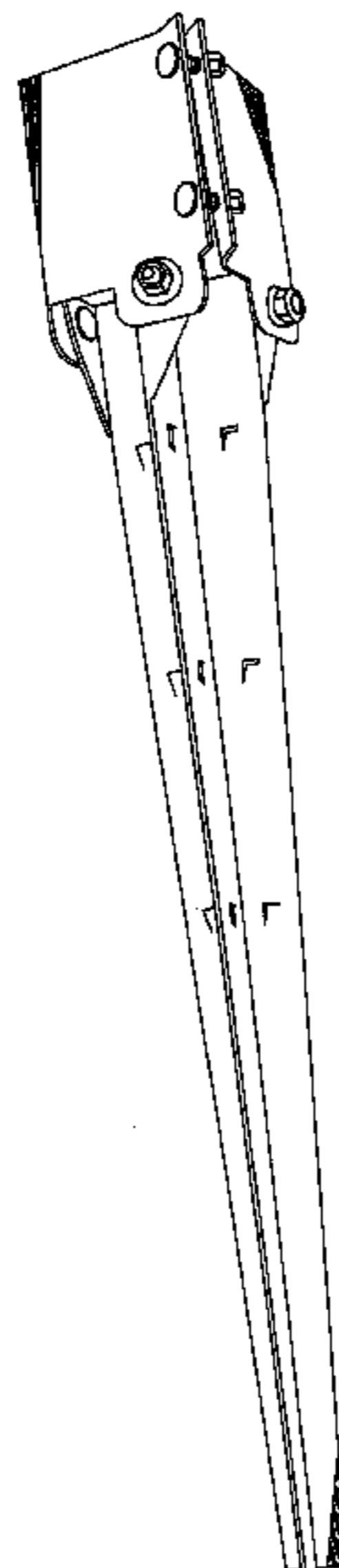
FIG. 11 is a left side view of an alternative embodiment of the post with crown having two points of adjustment;

FIG. 12 is a right side view of an alternative embodiment of the post with crown having two points of adjustment;

FIG. 13 is a top view of an alternative embodiment of the post with crown having two points of adjustment; and,

FIG. 14 is a bottom view of an alternative embodiment of the post with crown having two points of adjustment.

1 Claim, 14 Drawing Sheets



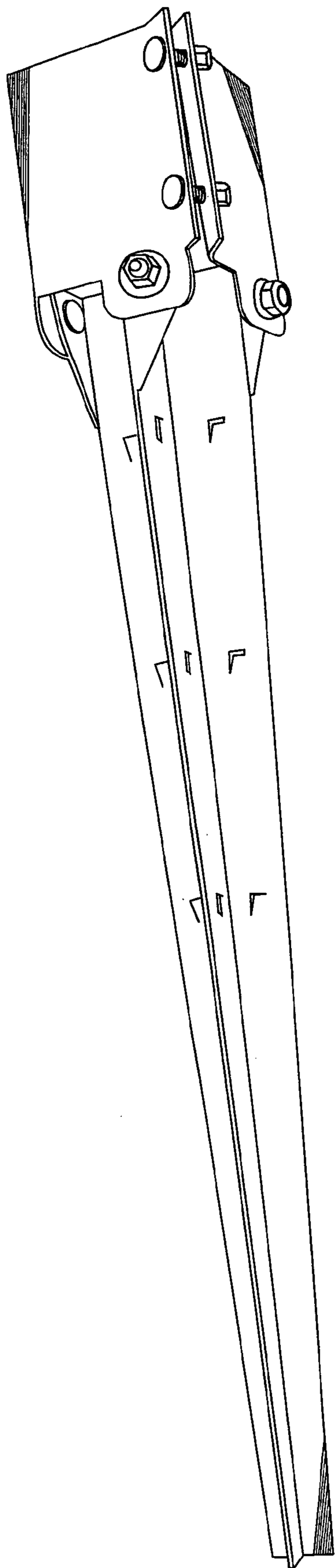


FIGURE 1

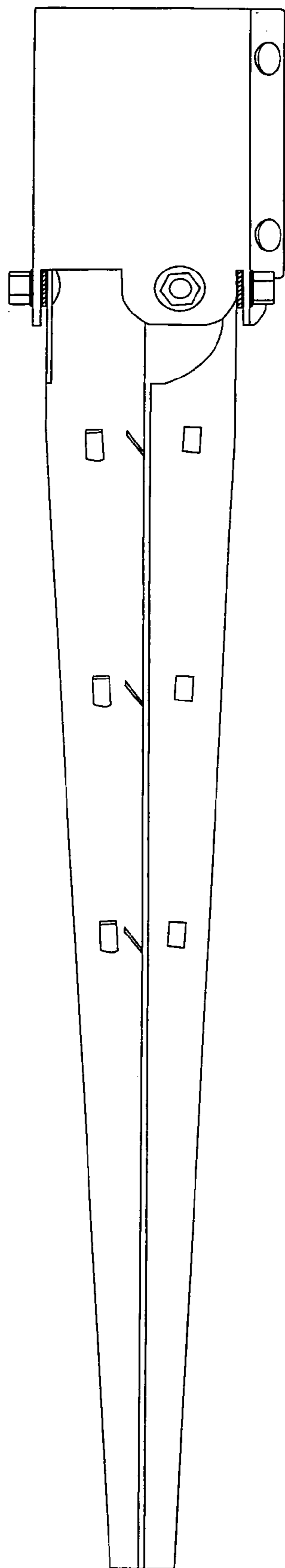


FIGURE 2

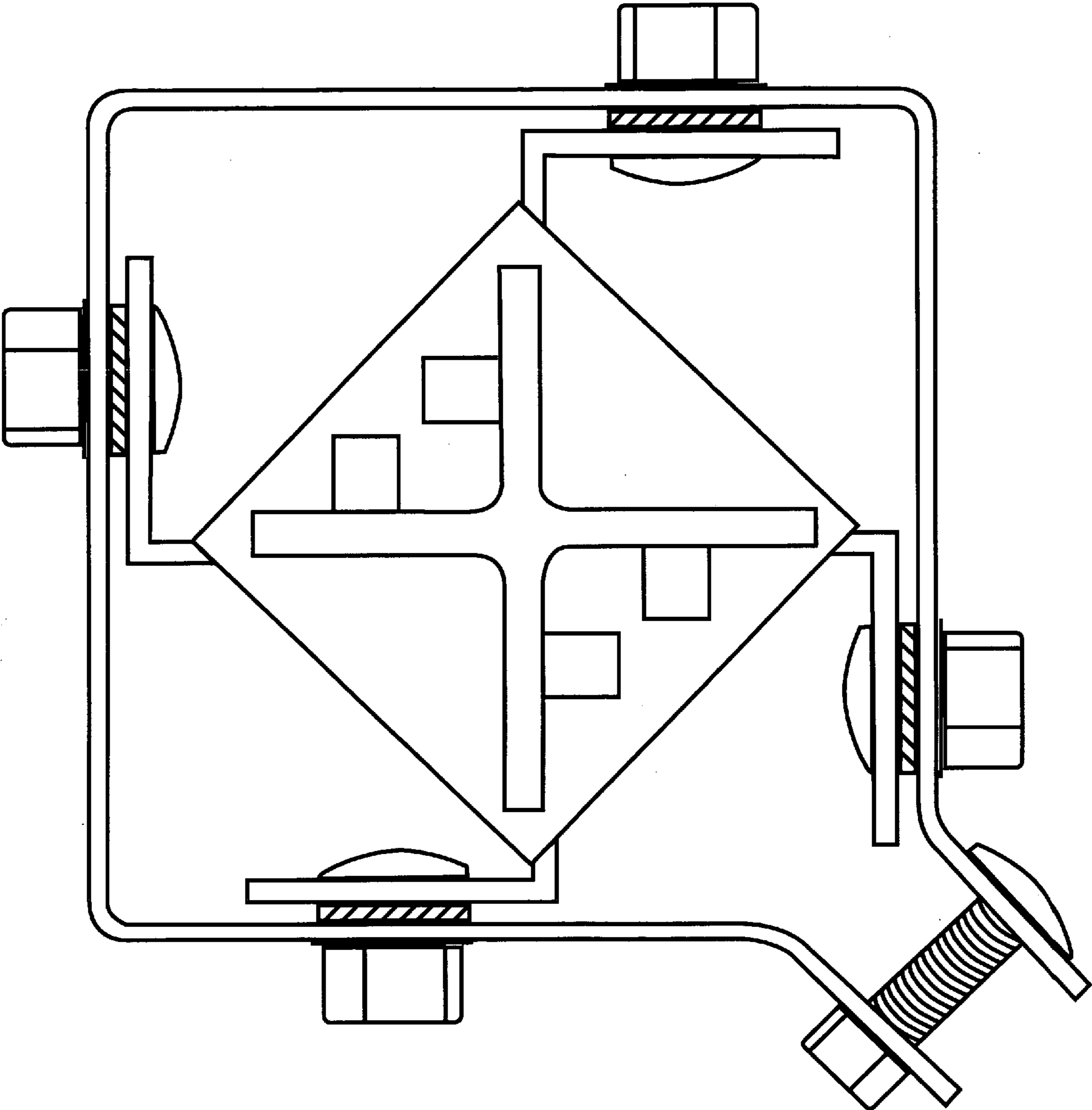


FIGURE 3

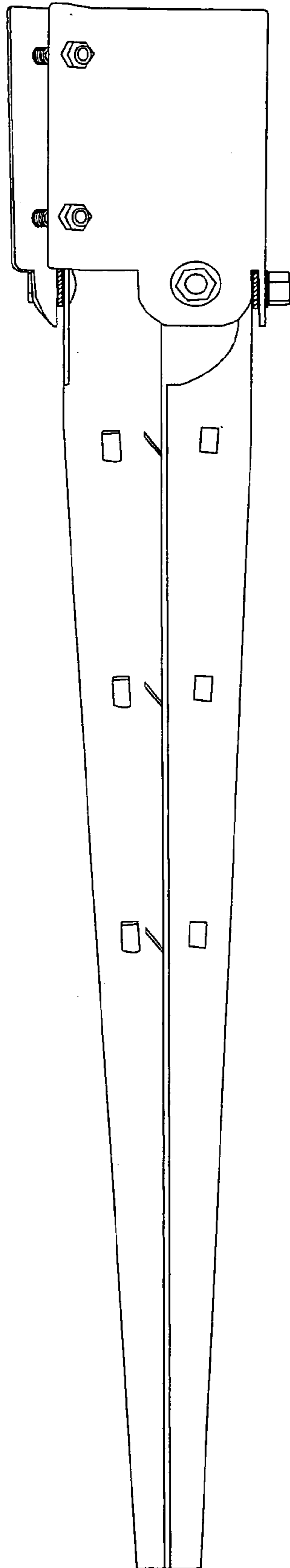


FIGURE 4

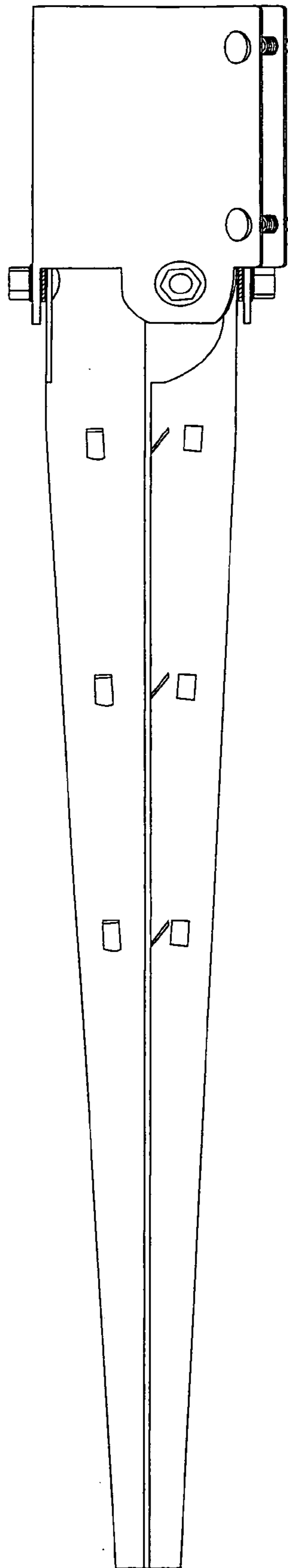


FIGURE 5

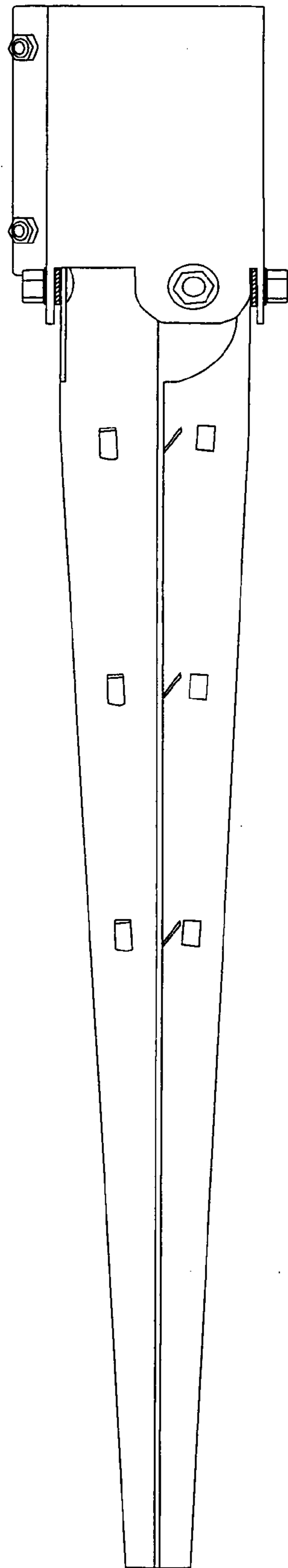


FIGURE 6

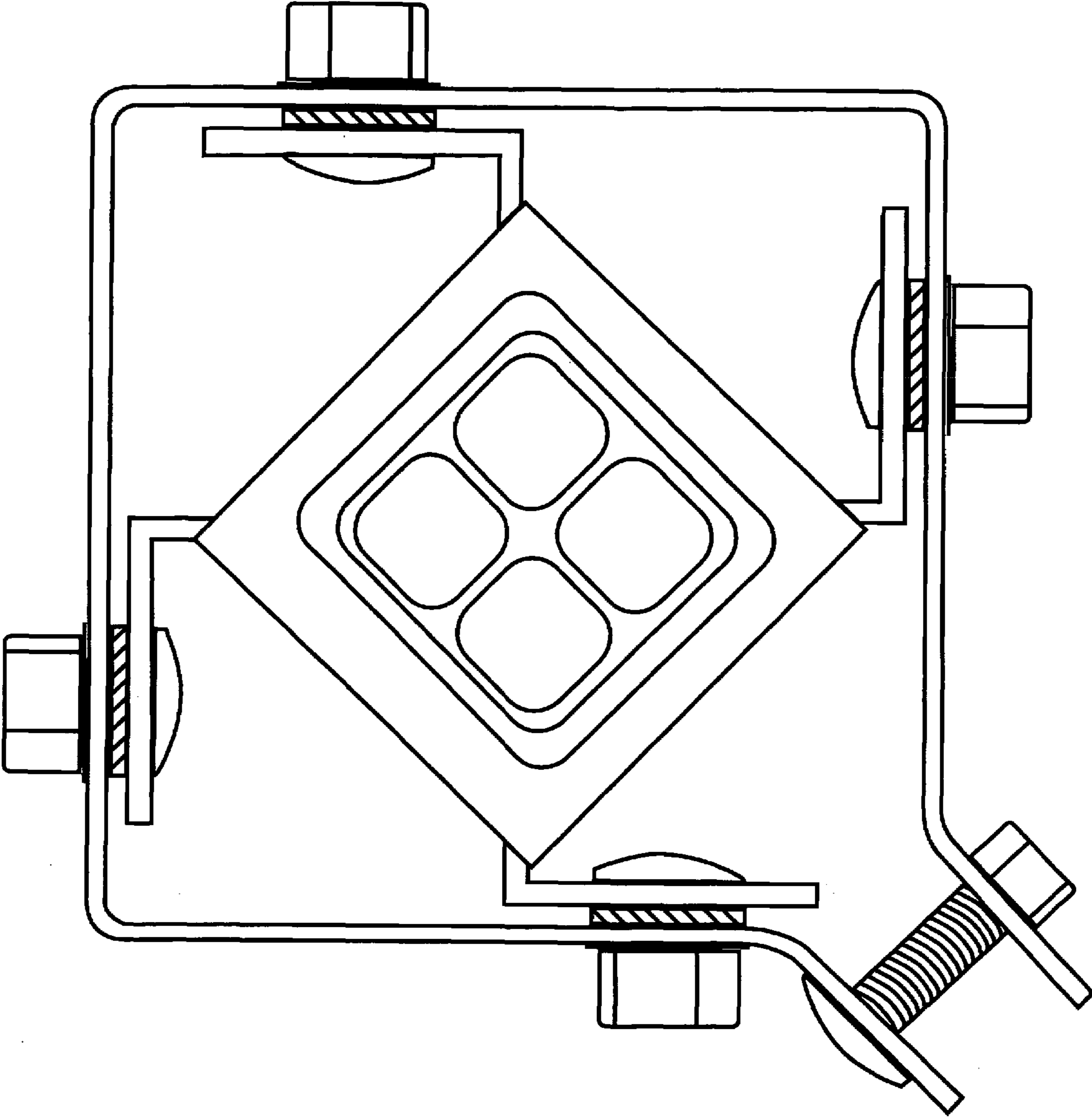


FIGURE 7

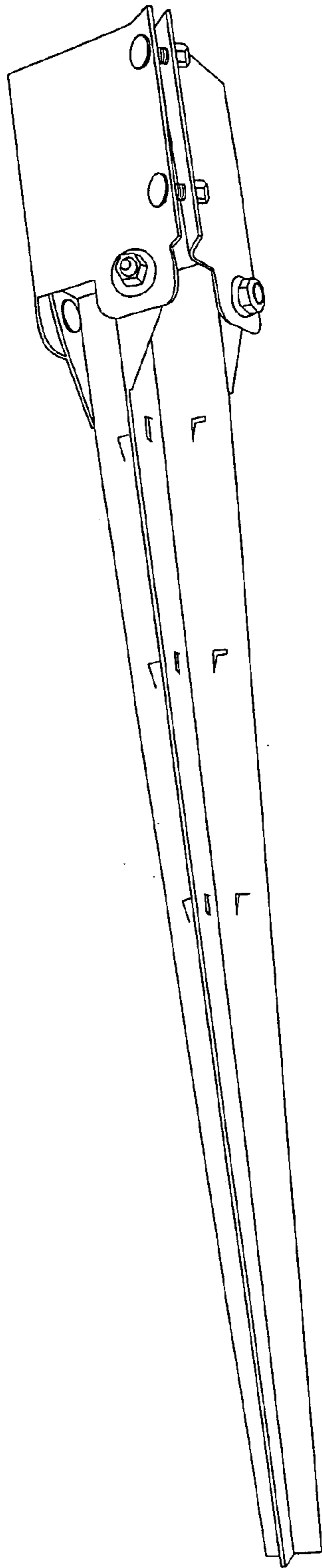


FIGURE 8

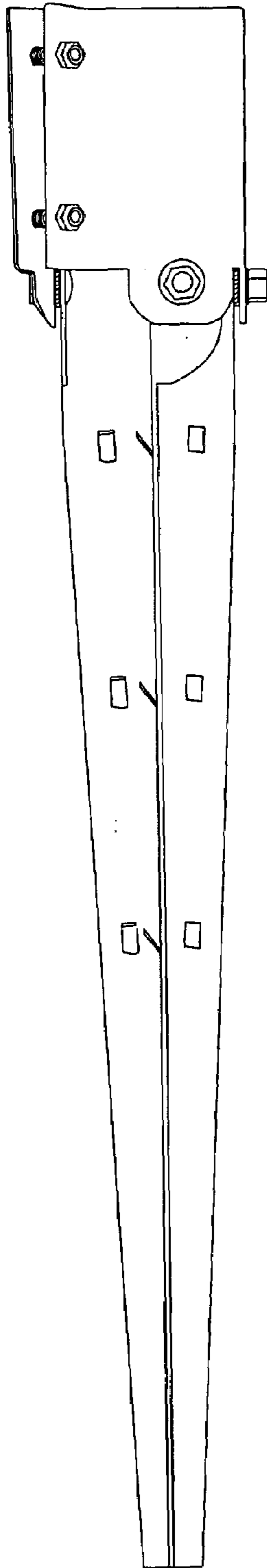


FIGURE 9

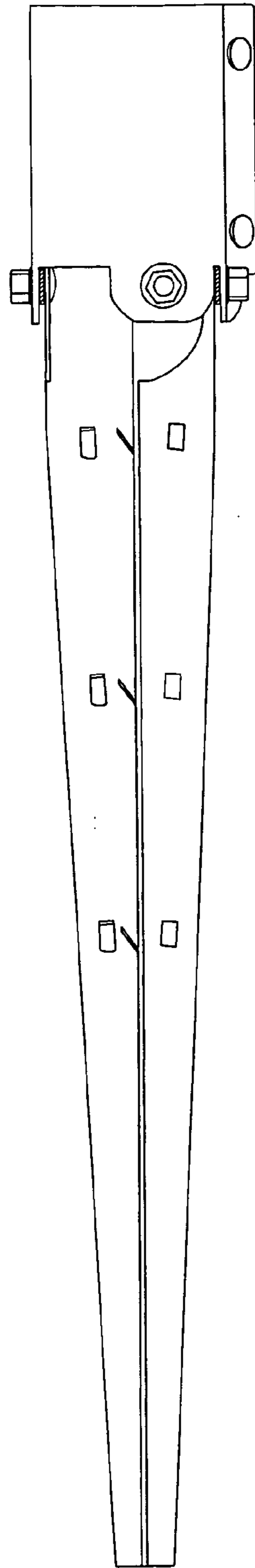


FIGURE 10

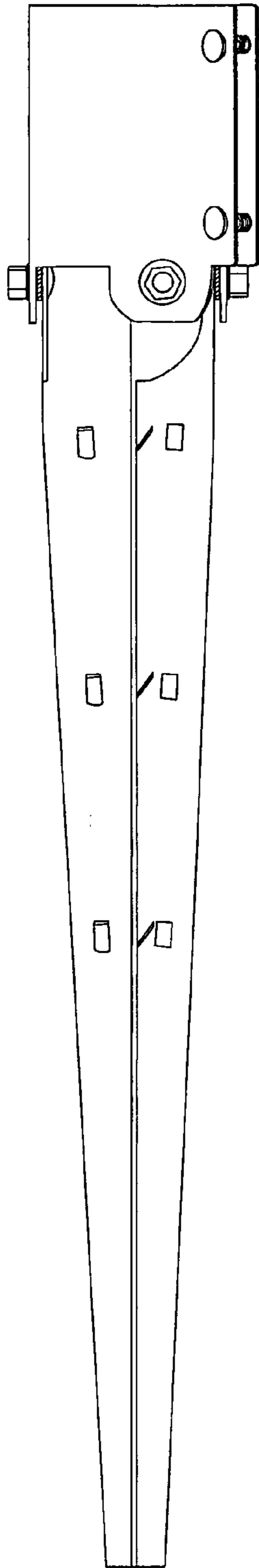


FIGURE 11

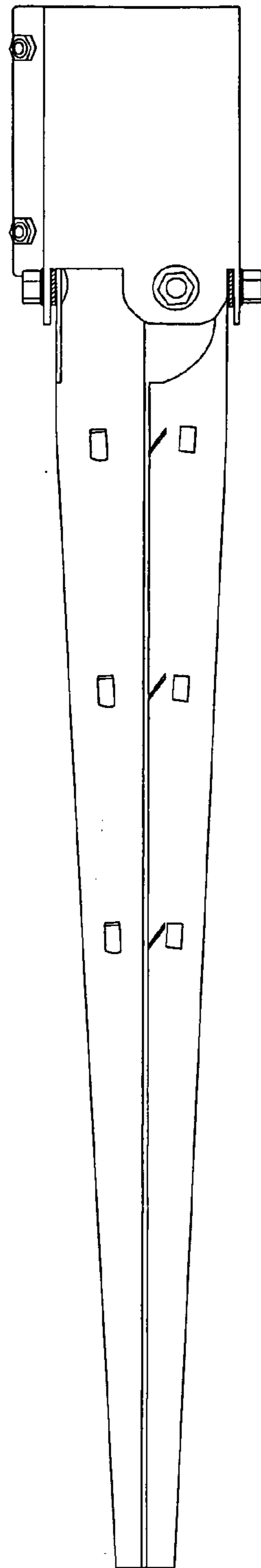


FIGURE 12

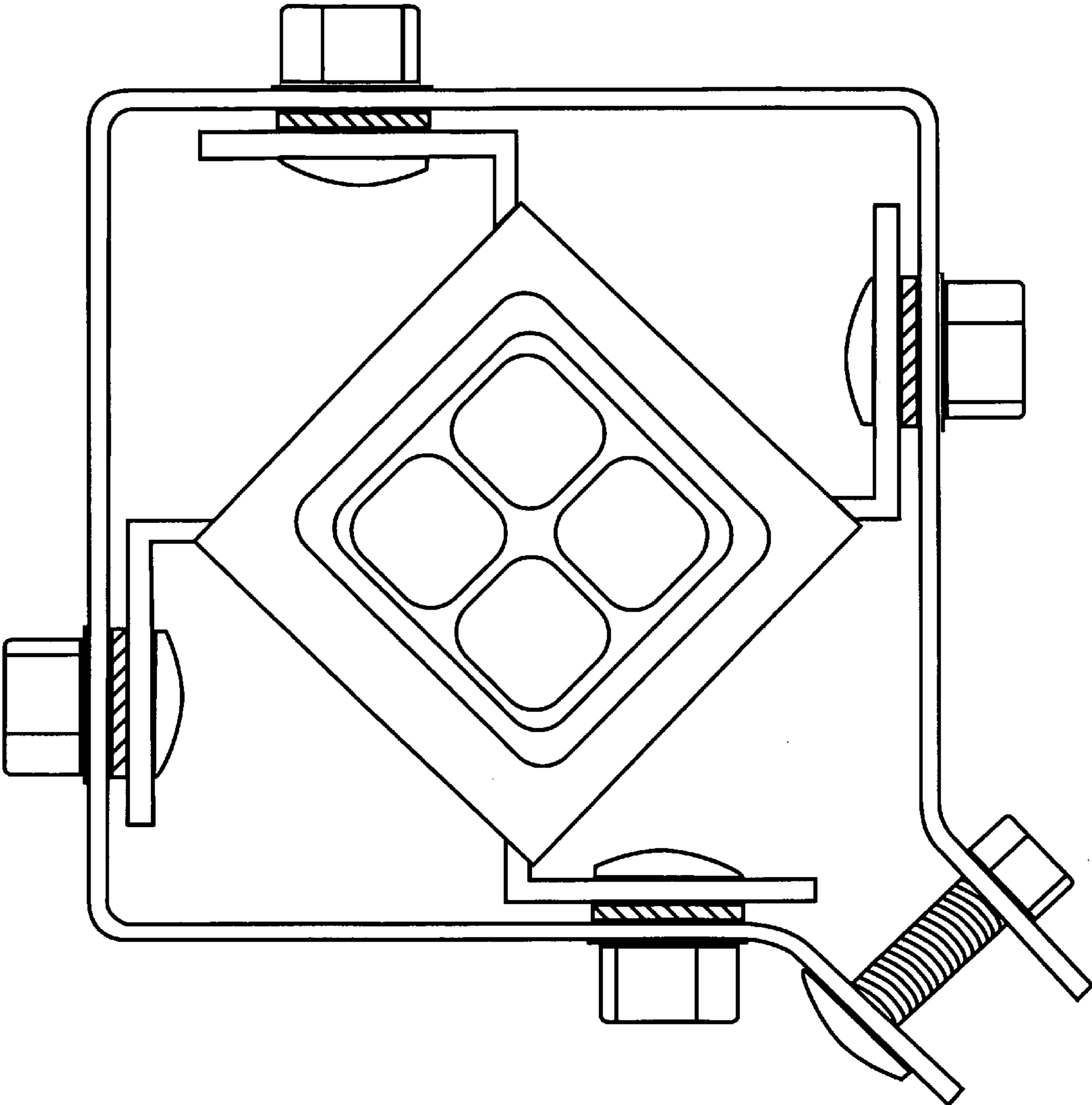


FIGURE 13

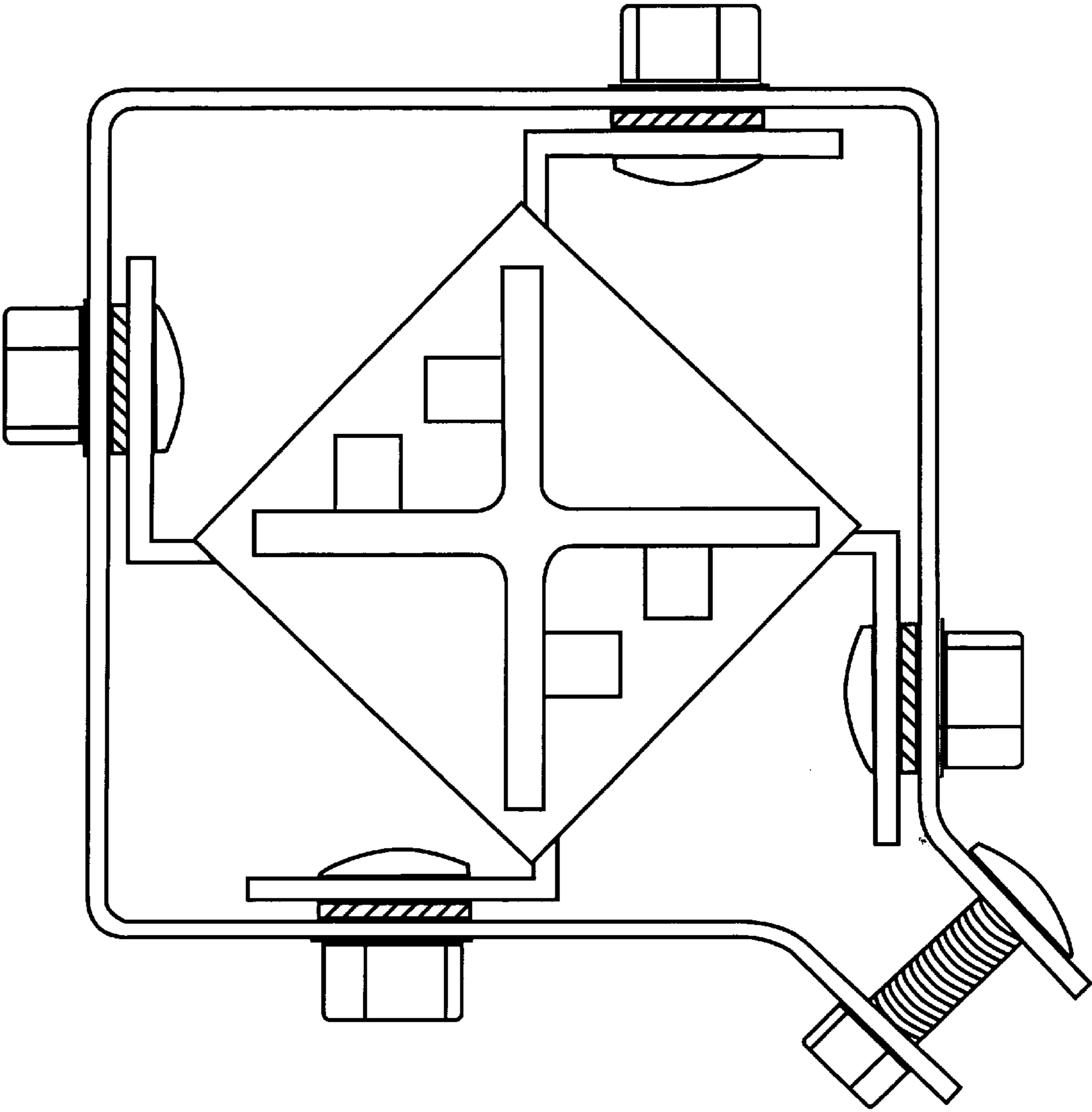


FIGURE 14