



US00D607122S

(12) **United States Design Patent**
Davina et al.

(10) **Patent No.:** **US D607,122 S**
(45) **Date of Patent:** **** Dec. 29, 2009**

(54) **DOOR PANEL**

(75) Inventors: **Glenn A. Davina**, Klamath Falls, OR (US); **Tom Brown**, Klamath Falls, OR (US); **James S. Hackett**, Klamath Falls, OR (US); **Rodney C. Harlin**, Sulphur Springs, TX (US); **Daniel S. Malicki**, Klamath Falls, OR (US); **John Monfore**, Klamath Falls, OR (US); **Craig R. Turner**, Klamath Falls, OR (US)

(73) Assignee: **JELD-WEN, inc.**, Klamath Falls, OR (US)

(**) Term: **14 Years**

(21) Appl. No.: **29/339,530**

(22) Filed: **Jul. 1, 2009**

Related U.S. Application Data

(62) Division of application No. 29/303,583, filed on Feb. 12, 2008, now Pat. No. Des. 598,134.

(51) **LOC (9) Cl.** **25-02**

(52) **U.S. Cl.** **D25/48**

(58) **Field of Classification Search** D25/48;
52/455, 630, 474, 764; 49/DIG. 2; 160/118,
160/201, DIG. 2, 229.1; 428/45

See application file for complete search history.

(56) **References Cited**

U.S. PATENT DOCUMENTS

D495,061 S * 8/2004 Lynch et al. D25/48
D557,427 S * 12/2007 Turner et al. D25/48
D583,069 S * 12/2008 Lynch et al. D25/48

* cited by examiner

Primary Examiner—Doris Clark

(74) *Attorney, Agent, or Firm*—Stoel Rives LLP

(57) **CLAIM**

The ornamental design for a door panel, as shown and described.

DESCRIPTION

FIG. 1 is a front elevation view of a door panel of the present invention;

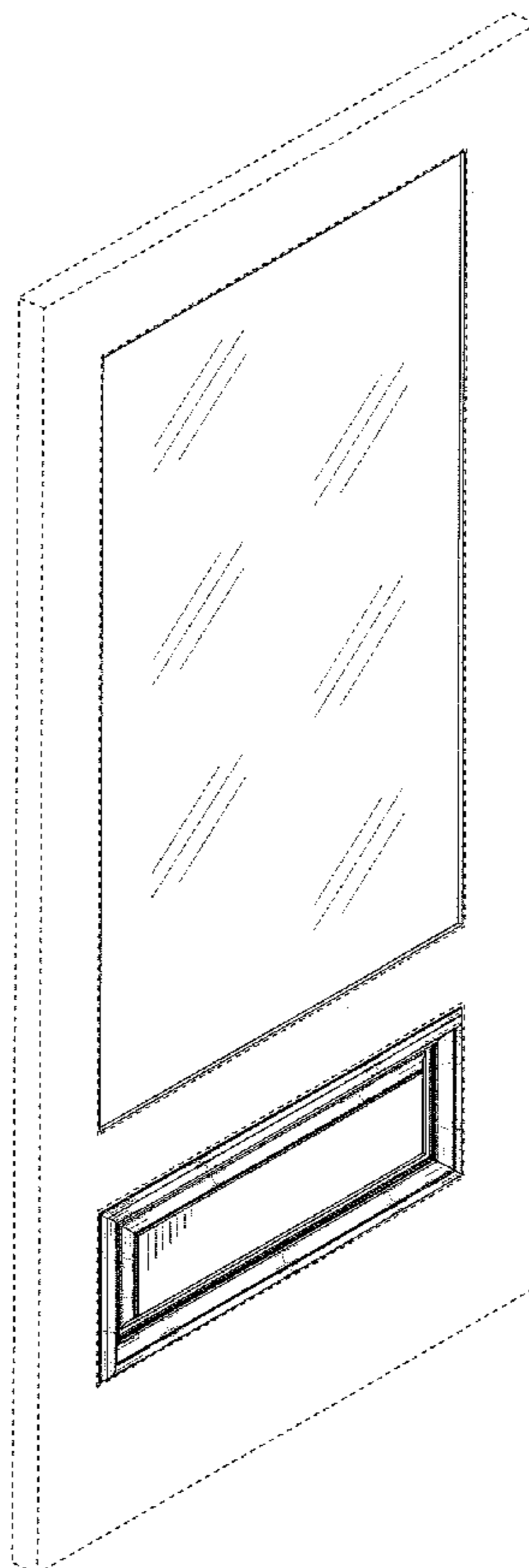
FIG. 2 is a front perspective view thereof;

FIG. 3 is a cross-sectional view taken along line 3—3 of FIG. 1; and,

FIG. 4 is a cross-sectional view taken along line 4—4 of FIG. 1.

Broken lines are for illustrative purposes and form no part of the claim.

1 Claim, 3 Drawing Sheets



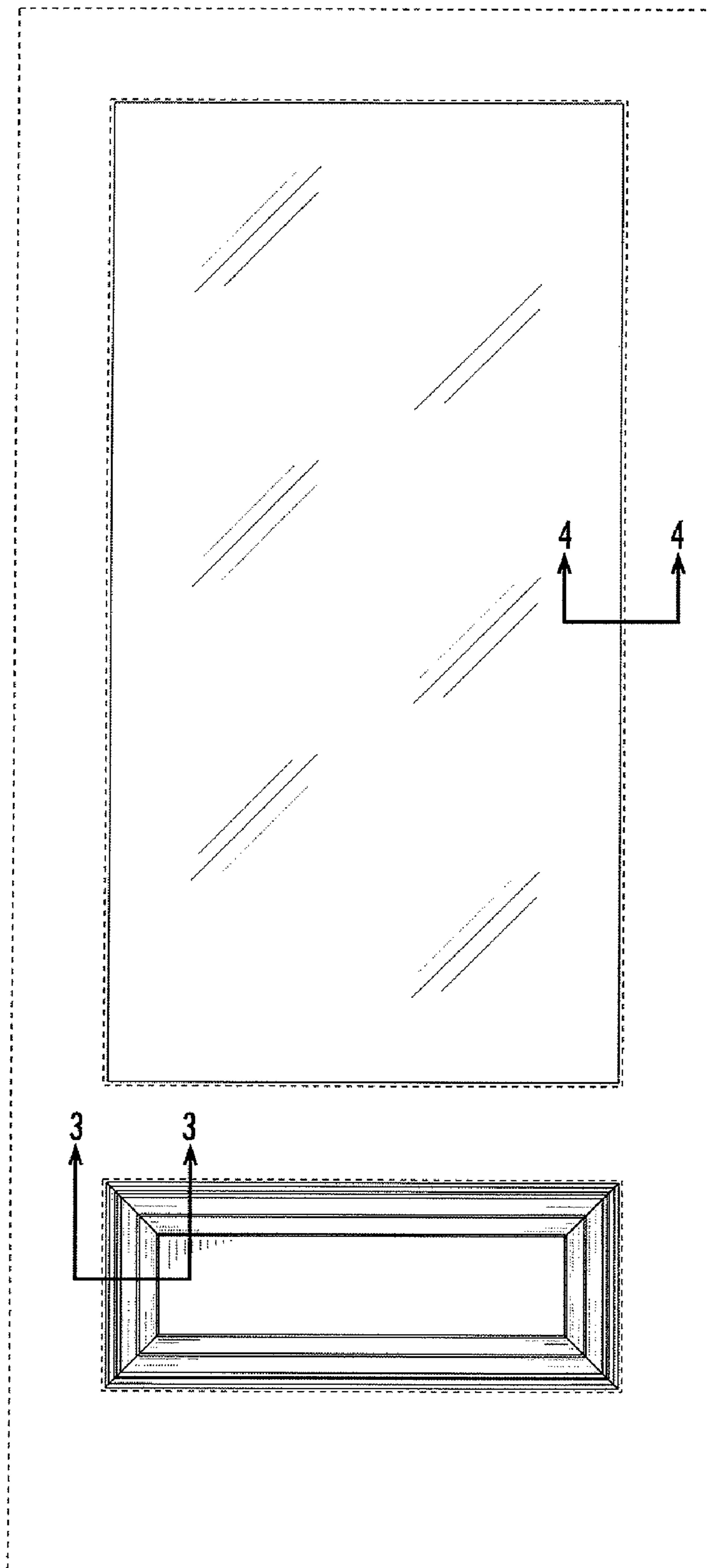


Fig. 1

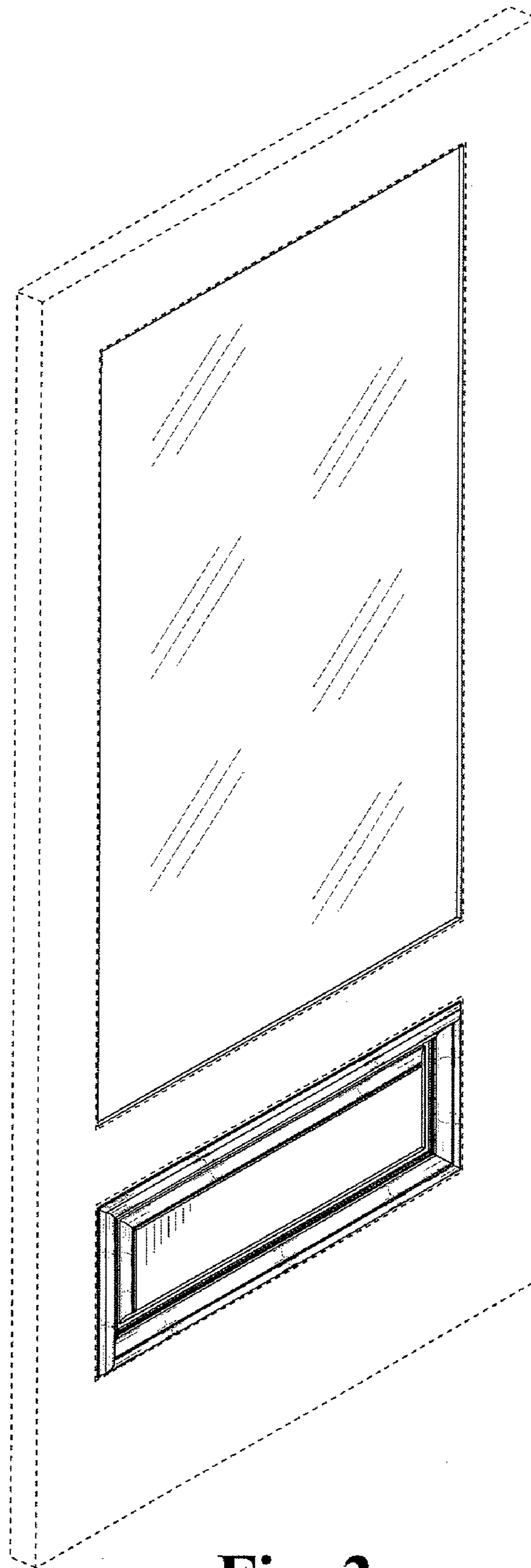


Fig. 2

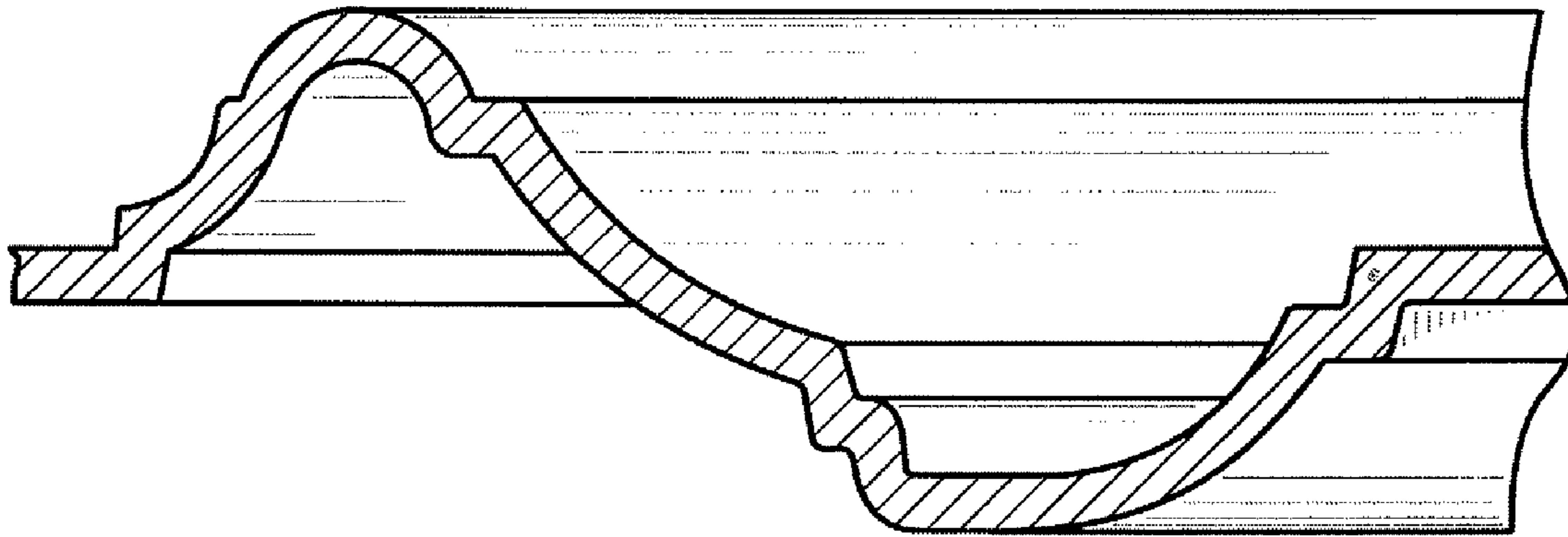


Fig. 3

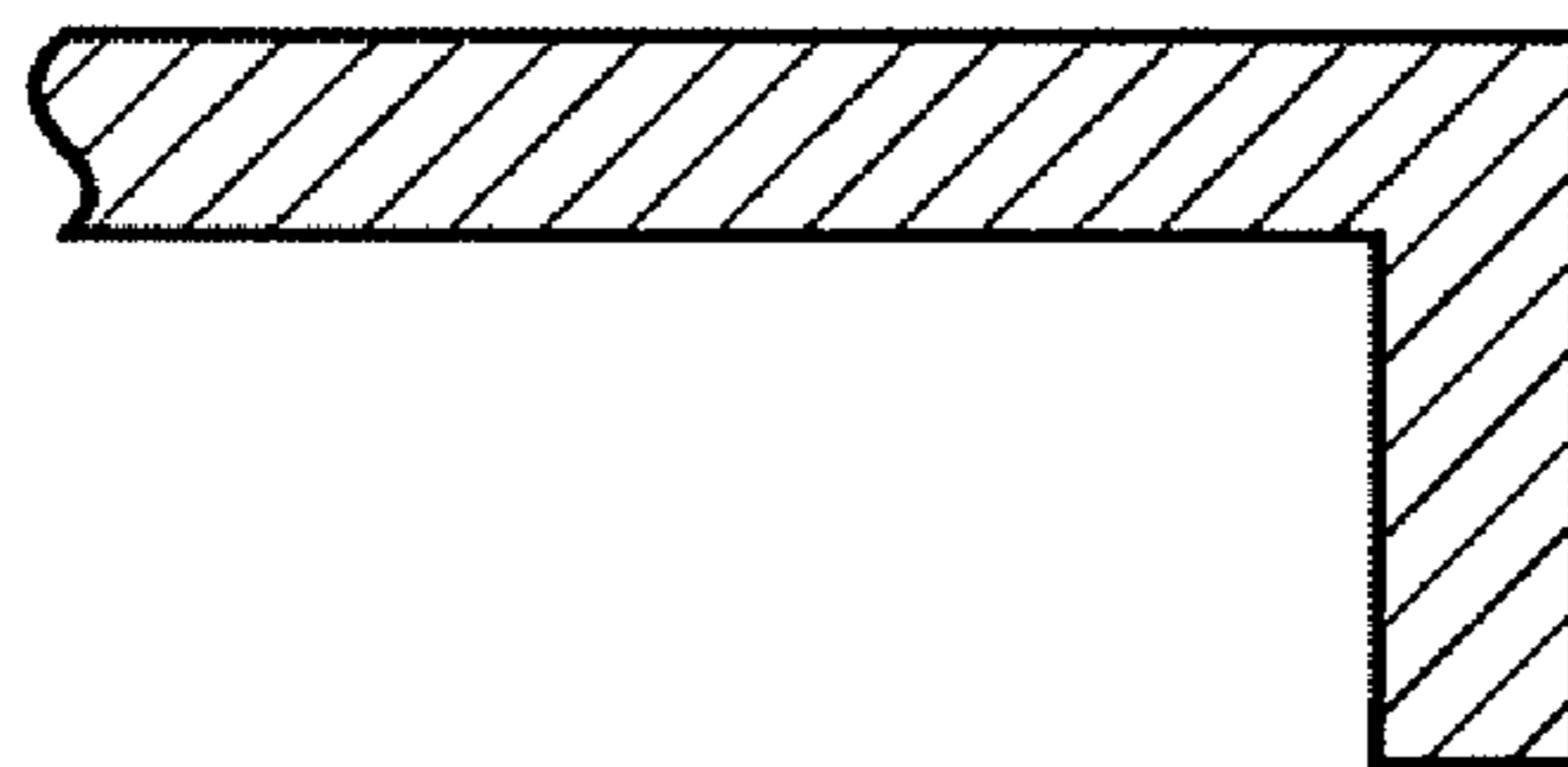


Fig. 4