



US00D607119S

(12) **United States Design Patent**  
**Markar**

(10) **Patent No.:** **US D607,119 S**

(45) **Date of Patent:** **\*\* Dec. 29, 2009**

(54) **OCTAGONAL BUILDING**

(76) Inventor: **Freij Markar**, 3595 Juniper Pl., #C54,  
Craig, CO (US) 81625

(\*\*) Term: **14 Years**

(21) Appl. No.: **29/337,877**

(22) Filed: **Jun. 1, 2009**

(51) **LOC (9) Cl.** ..... **25-03**

(52) **U.S. Cl.** ..... **D25/32**

(58) **Field of Classification Search** ..... D25/22-33,  
D25/6, 17, 18, 19; 52/79.4, 81.5, 236.1,  
52/274, 73, 71, 245, 246, 82

See application file for complete search history.

(56) **References Cited**

**U.S. PATENT DOCUMENTS**

D86,142 S *	11/1932	Conklin	.....	D25/23
D156,683 S *	12/1949	Tesch	.....	D25/23
3,295,265 A *	1/1967	Hida	.....	52/82
3,316,682 A *	5/1967	Natalis	.....	52/236.1
3,452,493 A *	7/1969	Mims	.....	52/73
D217,234 S *	4/1970	Miller	.....	D25/23
3,562,974 A *	2/1971	Niemeyer	.....	52/73
D220,947 S *	6/1971	Bartoli	.....	D25/23
3,600,865 A *	8/1971	Vanich	.....	52/73
3,633,325 A *	1/1972	Bartoli	.....	52/73
3,908,329 A *	9/1975	Walters	.....	52/745.05
3,921,354 A *	11/1975	Connelly et al.	.....	52/236.1
4,037,371 A *	7/1977	De La Lande de Calan ..	.....	52/79.7
4,056,902 A *	11/1977	Ziegler, Jr.	.....	52/73

D246,802 S *	12/1977	Mondragon	.....	D25/19
D260,180 S *	8/1981	Zusman	.....	D25/17
4,335,558 A *	6/1982	Caldwell et al.	.....	52/13
D269,042 S *	5/1983	Montalto	.....	D25/23
4,567,709 A *	2/1986	Faw	.....	52/745.14
6,349,511 B1 *	2/2002	McAlpin et al.	.....	52/82
2007/0214733 A1 *	9/2007	Braun	.....	52/79.6

\* cited by examiner

*Primary Examiner*—Stella M. Reid

(74) *Attorney, Agent, or Firm*—Leyendecker and Lemire  
LLC; Kurt Leyendecker

(57) **CLAIM**

The ornamental design for an octagonal building, as shown  
and described.

**DESCRIPTION**

FIG. 1 is a front isometric view of the octagonal building  
showing my new design;

FIG. 2 is a left isometric view thereof;

FIG. 3 is a top plan view thereof;

FIG. 4 is a back isometric view thereof;

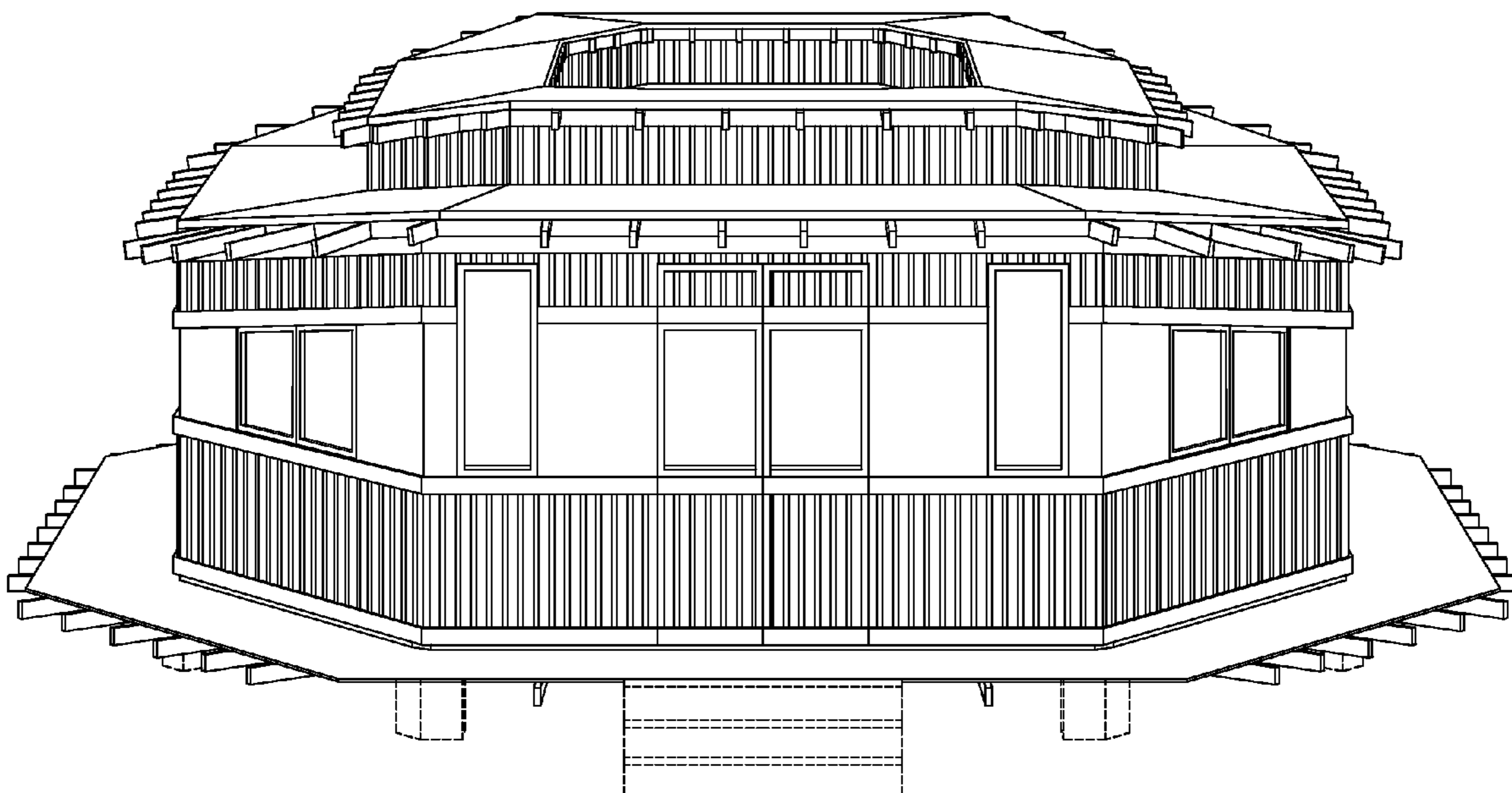
FIG. 5 is a right isometric view thereof;

FIG. 6 is a bottom isometric view thereof; and,

FIG. 7 is a left front isometric view thereof.

The broken lines shown in the drawings illustrate portions of  
the octagonal building that form no part of the claimed design.

**1 Claim, 7 Drawing Sheets**



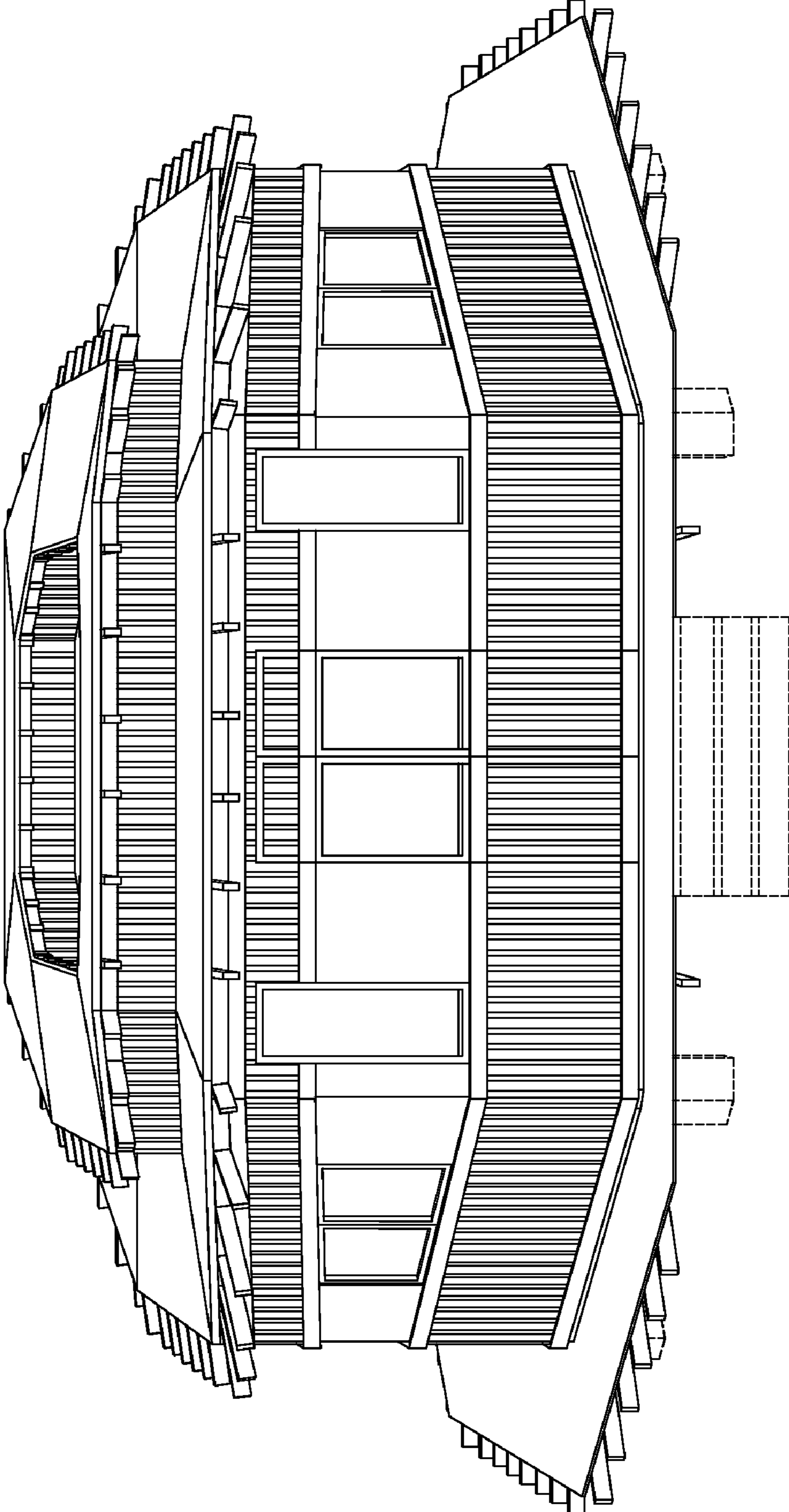


FIG. 1

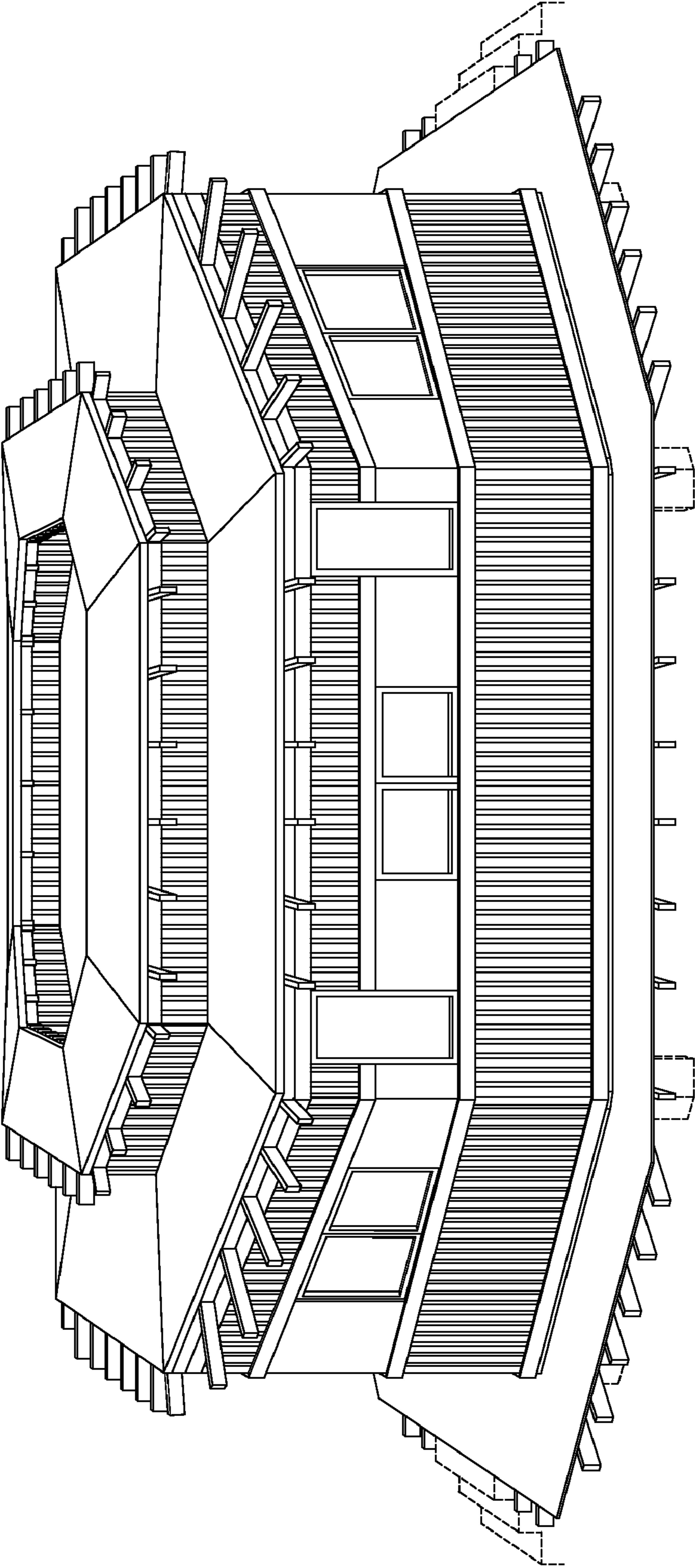


FIG. 2

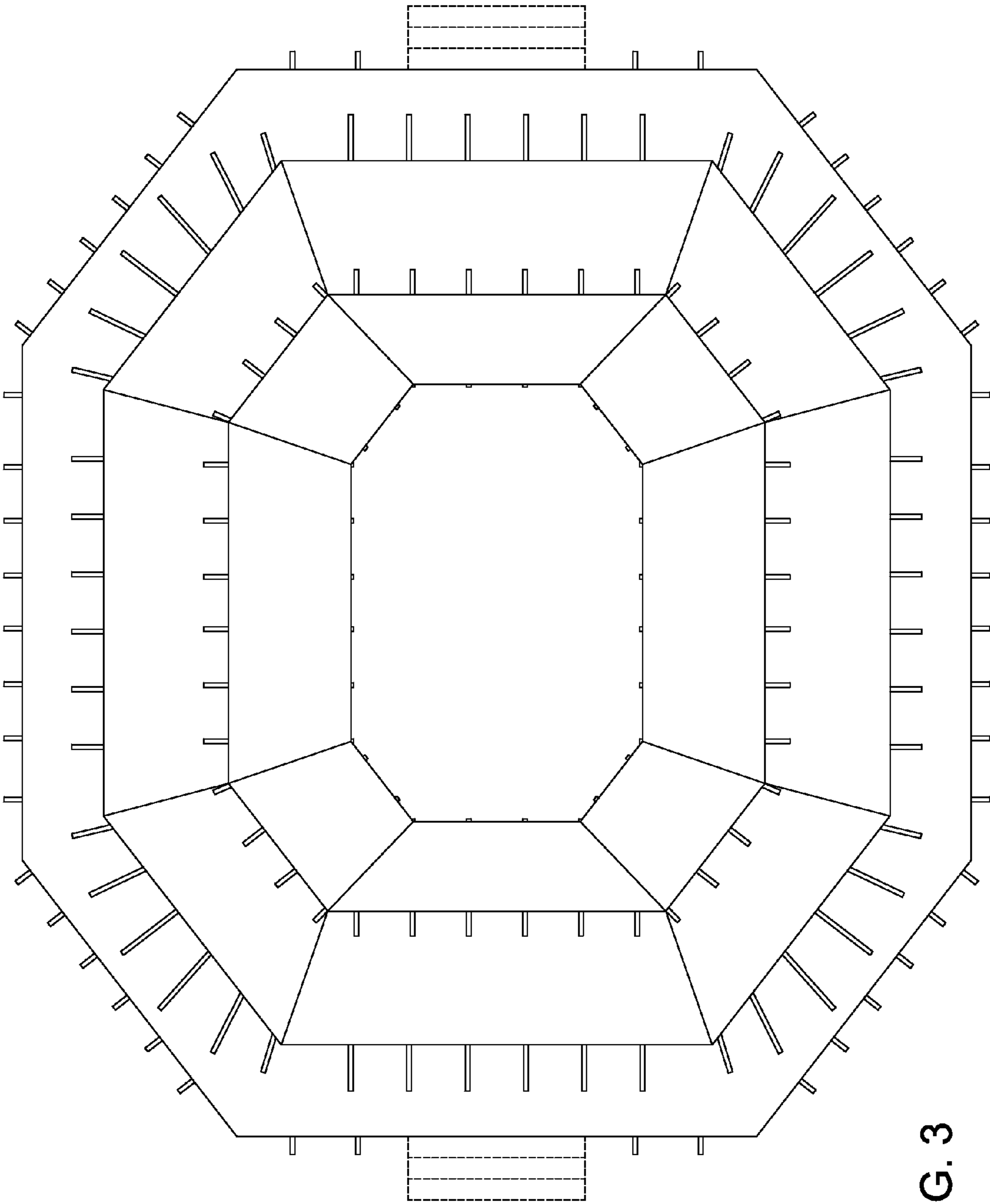


FIG. 3

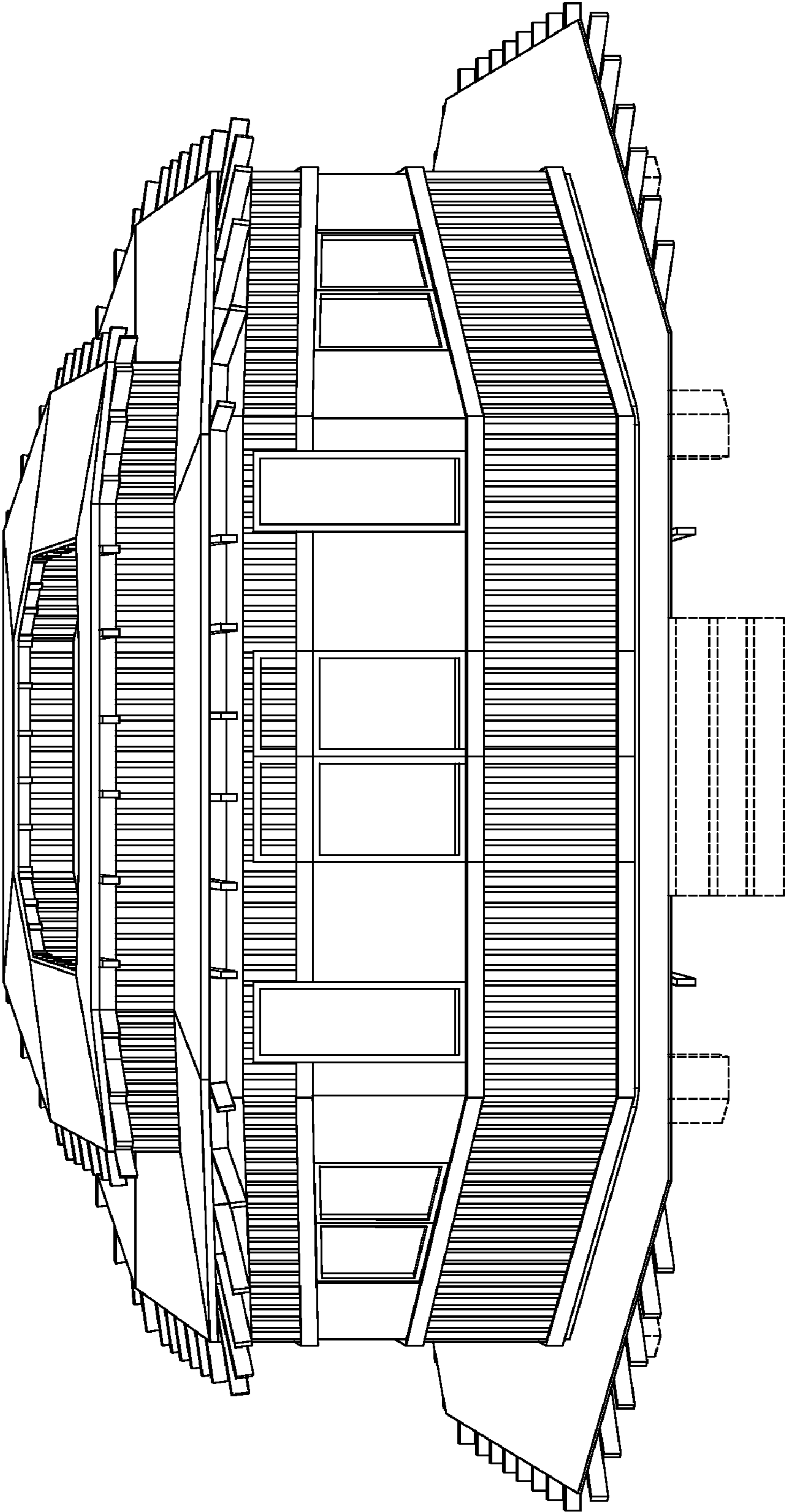


FIG. 4

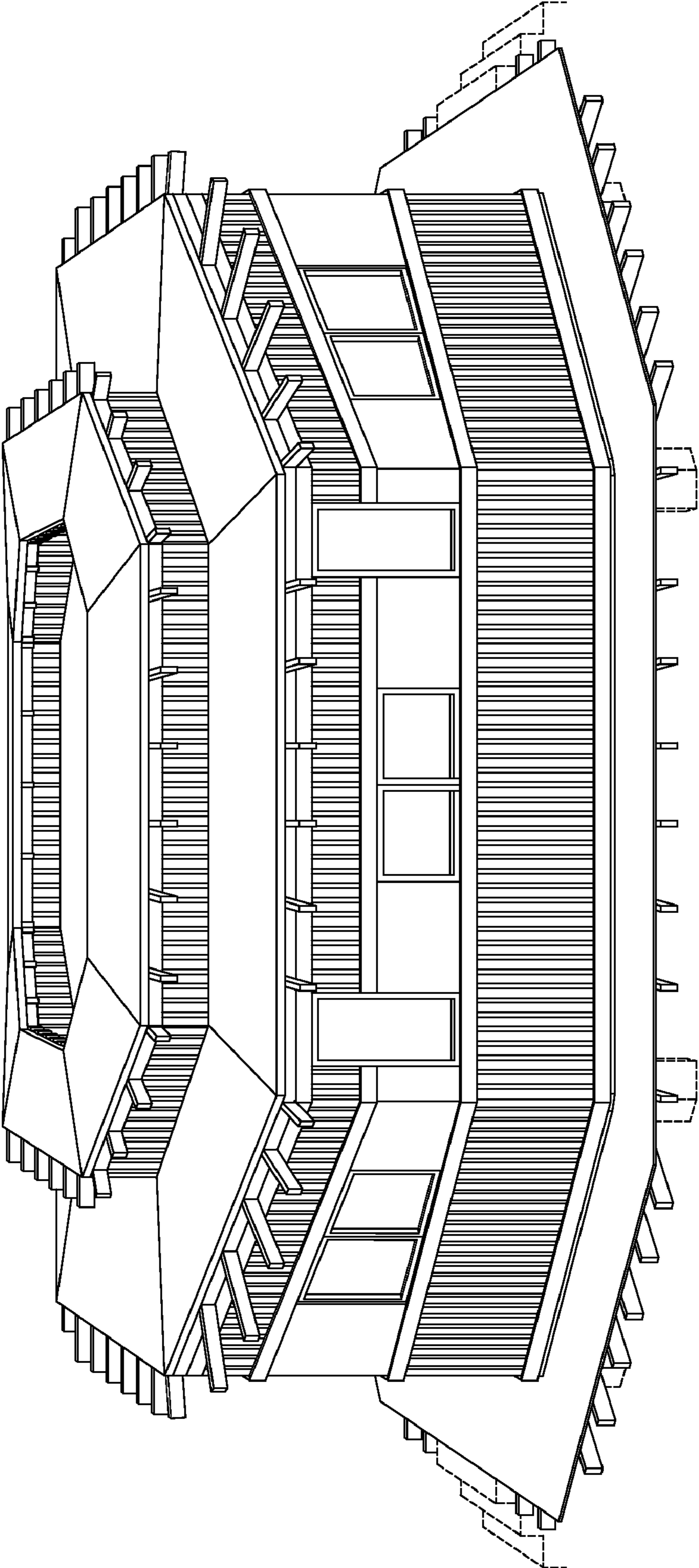


FIG. 5

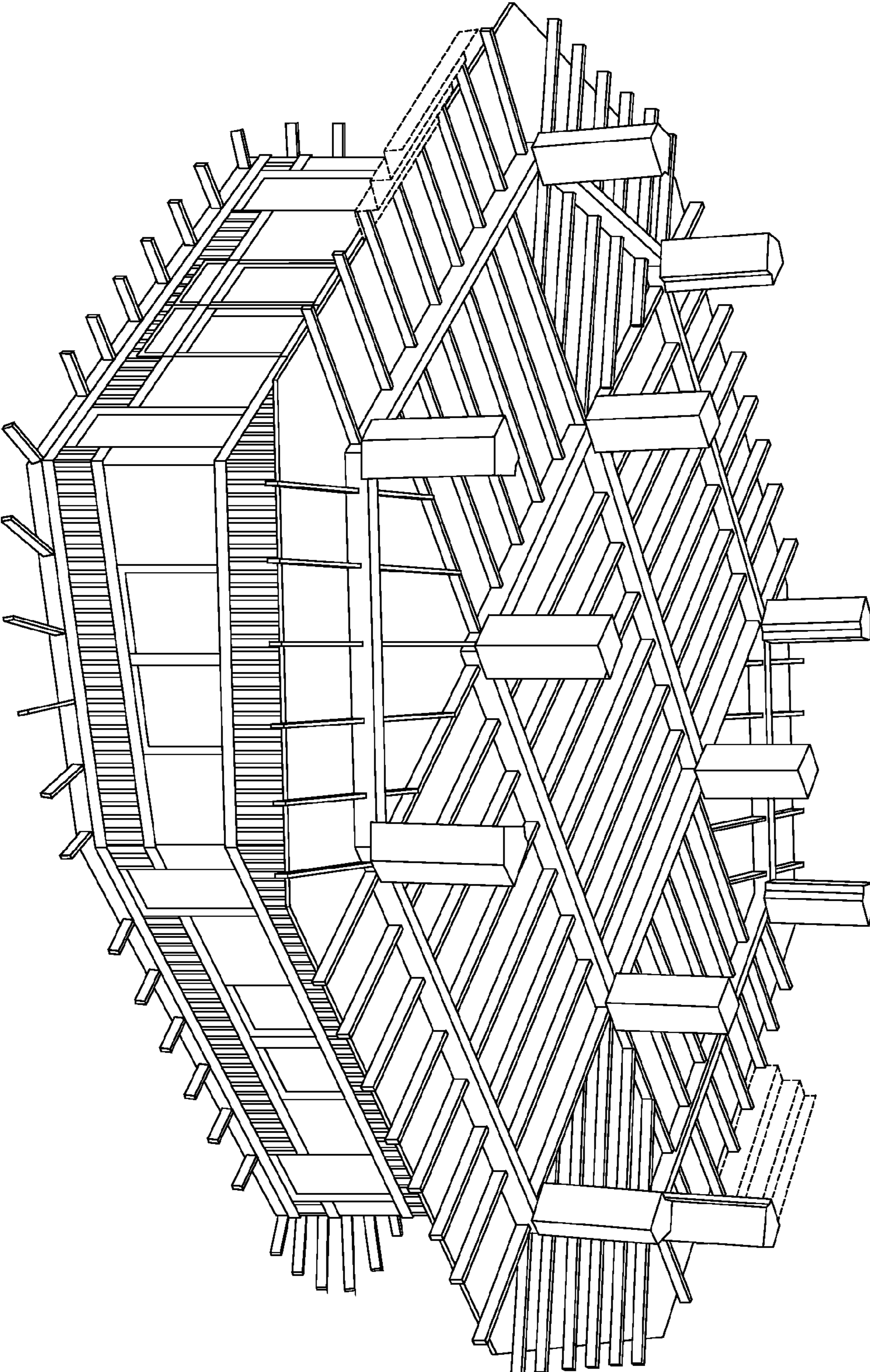


FIG. 6

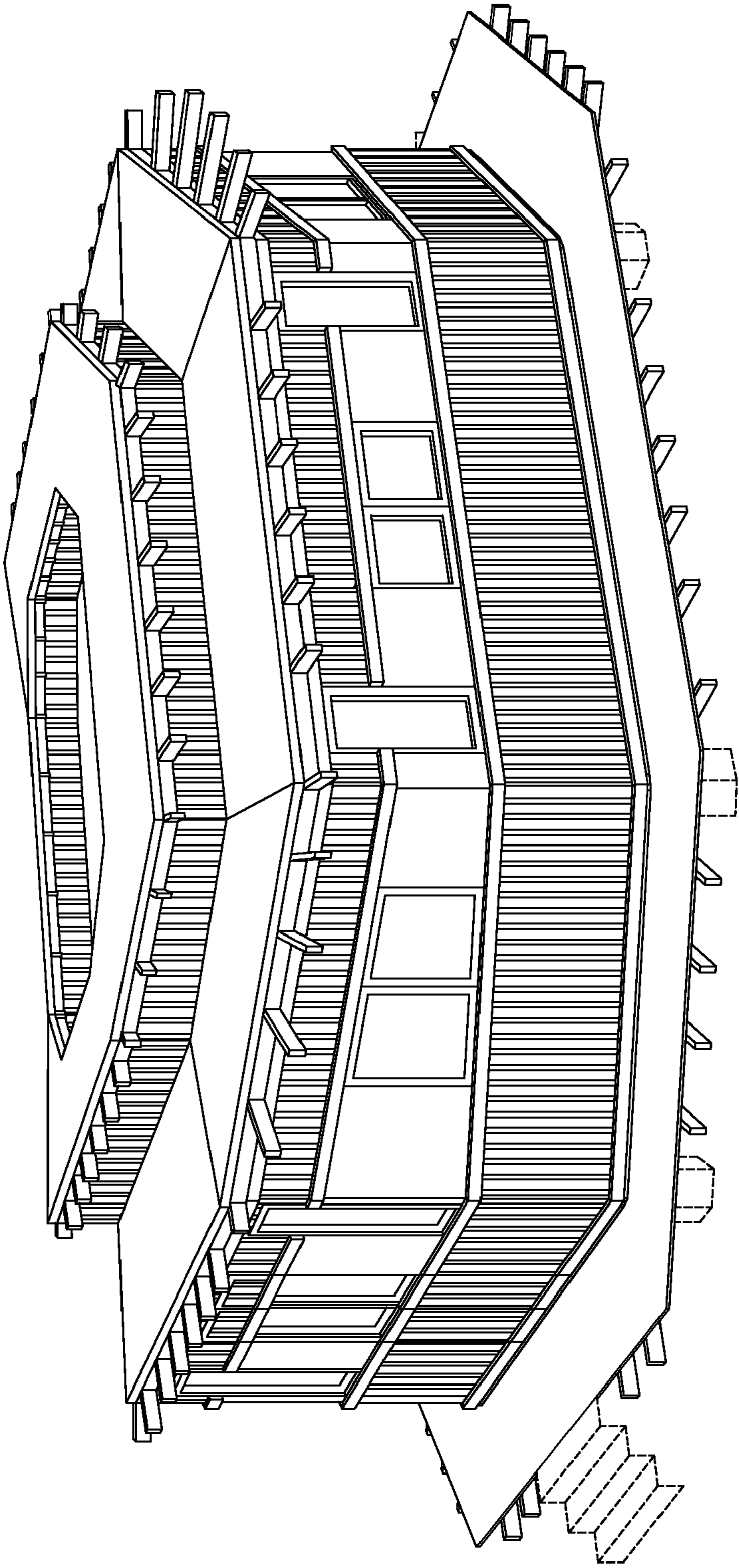


FIG. 7