



US00D607118S

(12) **United States Design Patent**
Py et al.

(10) **Patent No.:** **US D607,118 S**
(45) **Date of Patent:** **** Dec. 29, 2009**

(54) **VIAL**

(75) Inventors: **Daniel Py**, Stamford, CT (US); **Norbert M. Assion**, Shelton, CT (US); **Julian V. Chan**, Spring Valley, NY (US)

(73) Assignee: **Medical Instill Technologies, Inc.**, New Milford, CT (US)

(**) Term: **14 Years**

(21) Appl. No.: **29/330,517**

(22) Filed: **Jan. 8, 2009**

Related U.S. Application Data

(62) Division of application No. 29/303,247, filed on Feb. 4, 2008, now Pat. No. Des. 585,561, which is a division of application No. 29/265,237, filed on Aug. 28, 2006, now Pat. No. Des. 561,907, which is a division of application No. 29/198,310, filed on Jan. 27, 2004, now Pat. No. Des. 527,463.

(51) **LOC (9) Cl.** **24-04**

(52) **U.S. Cl.** **D24/224**

(58) **Field of Classification Search** D24/224–226, D24/215, 121; D9/445, 444, 434, 436, 446, D9/447; 422/99–102; 604/414–415; 215/255, 215/281, 247, 249

See application file for complete search history.

(56) **References Cited**

U.S. PATENT DOCUMENTS

2,503,147 A 4/1950 Applezweig
3,092,278 A 6/1963 Järnhäll

(Continued)

Primary Examiner—Cathron C Brooks

Assistant Examiner—Melanie Levy

(74) *Attorney, Agent, or Firm*—McCarter & English, LLP

(57) **CLAIM**

The ornamental design for a vial, as shown and described.

DESCRIPTION

FIG. 1 is a top perspective view of a first embodiment of a vial showing our new design;

FIG. 2 is a front elevational view of the vial of FIG. 1;

FIG. 3 is a rear elevational view thereof;

FIG. 4 is a left side elevational view thereof;

FIG. 5 is a right side elevational view thereof;

FIG. 6 is a top plan view thereof;

FIG. 7 is a bottom plan view thereof;

FIG. 8 is a perspective view of a second embodiment of a vial showing our new design with a removable portion of the cap removed;

FIG. 9 is a front elevational view of the vial of FIG. 8;

FIG. 10 is a rear elevational view thereof;

FIG. 11 is a left side elevational view thereof;

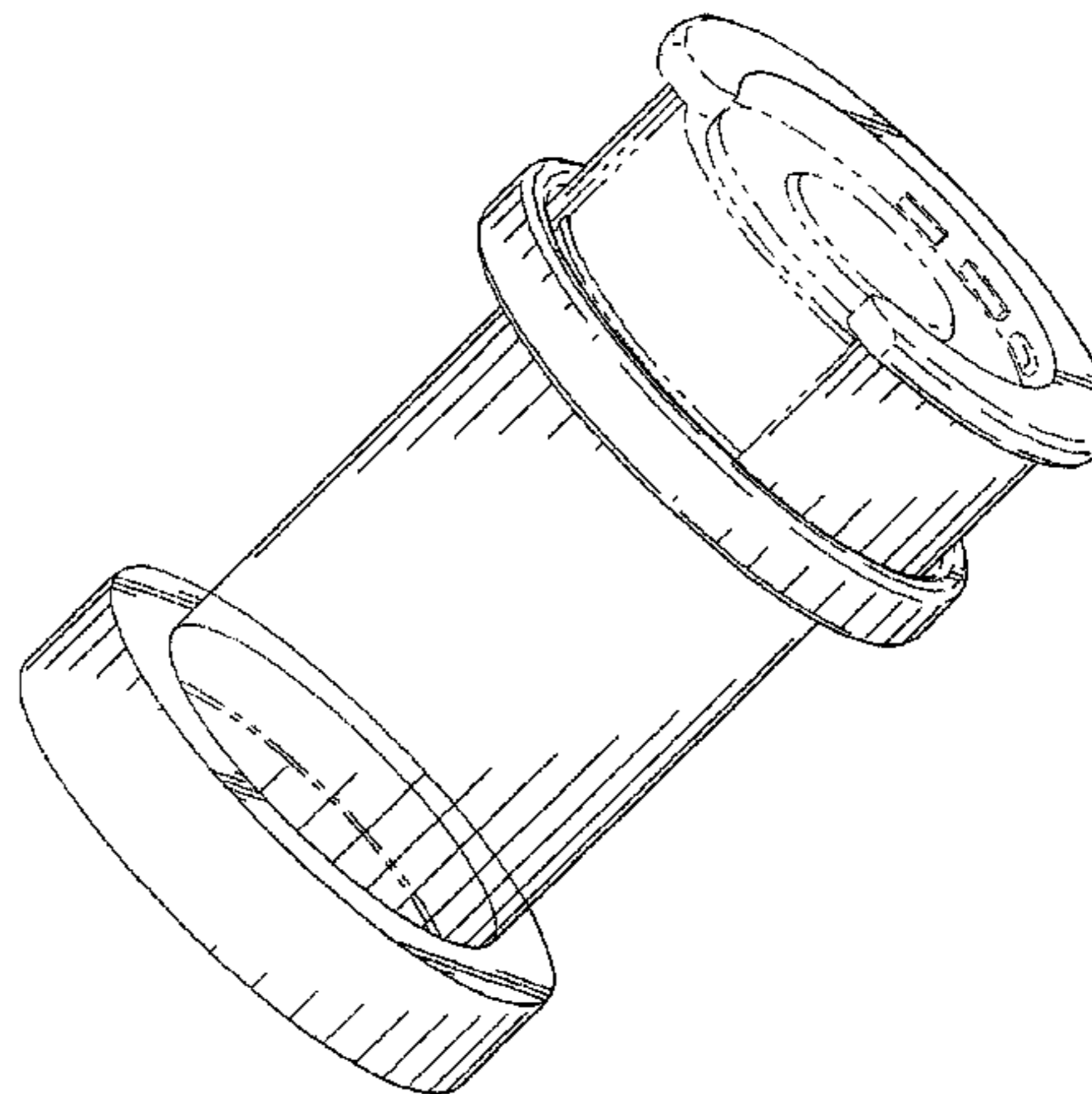
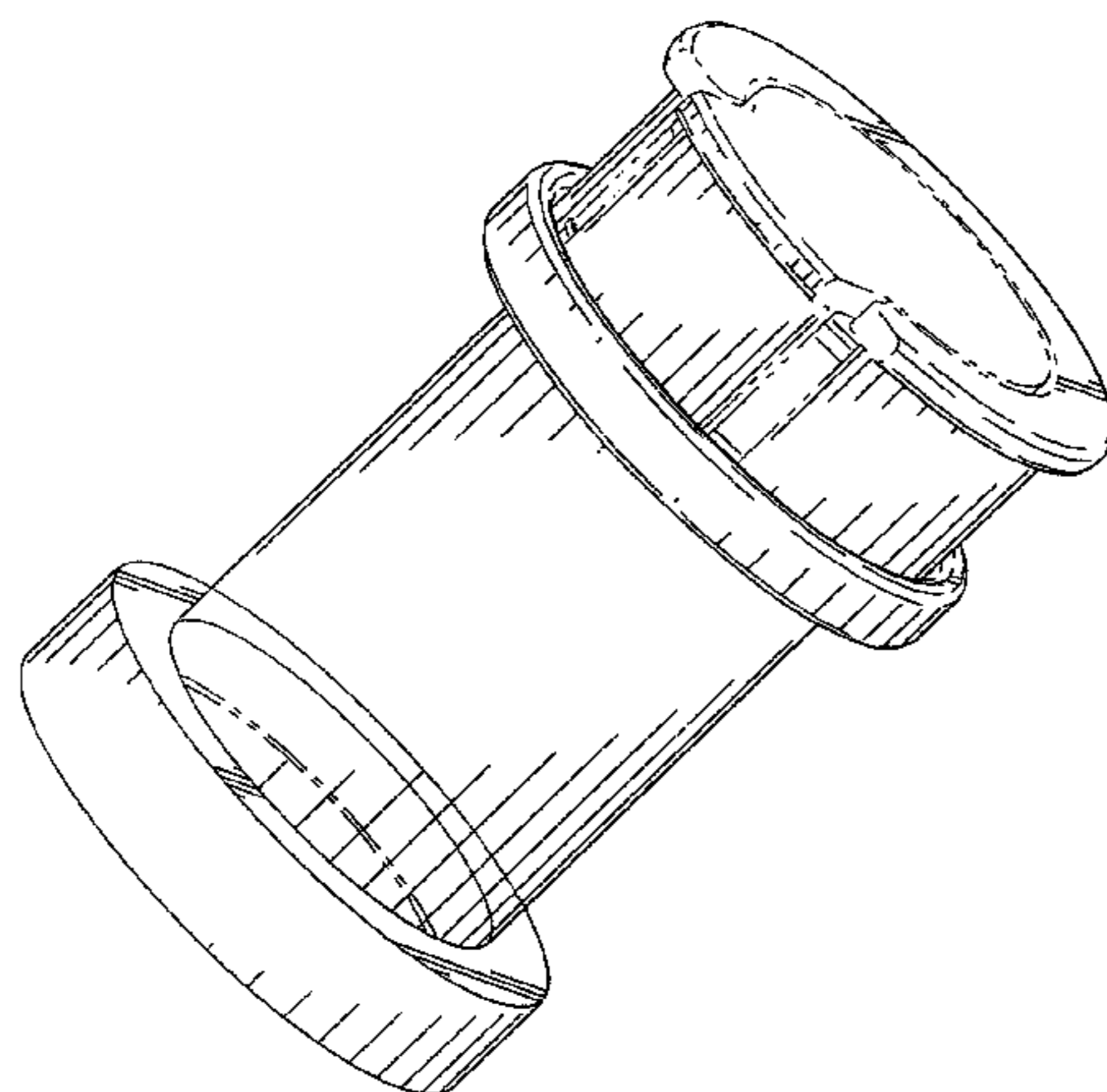
FIG. 12 is a right side elevational view thereof;

FIG. 13 is a top plan view thereof; and,

FIG. 14 is a bottom plan view thereof.

The broken lines in the figures show structure or boundaries that are not part of the claimed design, but rather show the environment in which the design is associated, or show portions of the article in which the design is embodied or applied to that are not considered part of the claimed design. The shading and tones, and any variations thereof, shown in the drawings do not imply any specific colors or color contrast scheme in the article to be patented. The diagonal lines (or shading lines) are intended to show that the respective portion (s) of the vial are transparent or substantially transparent, whereas the claimed portion(s) of the vial that do not include such lines are opaque or substantially opaque.

1 Claim, 14 Drawing Sheets



US D607,118 S

Page 2

U.S. PATENT DOCUMENTS					
3,340,671 A	9/1967	Loo	5,744,087 A	4/1998	Williams et al.
3,685,248 A	8/1972	Godelaide	5,816,772 A	10/1998	Py
4,171,057 A *	10/1979	Gach 215/211	5,823,373 A	10/1998	Sudo et al.
4,250,611 A	2/1981	Wong	5,902,298 A	5/1999	Niedospial et al.
D263,504 S	3/1982	Fowles et al.	5,931,828 A	8/1999	Durkee
4,366,812 A	1/1983	Matakura et al.	5,971,181 A	10/1999	Niedospial, Jr. et al.
4,390,111 A	6/1983	Robbins et al.	6,006,932 A	12/1999	Morin
D279,651 S	7/1985	Freeman	D420,744 S	2/2000	Ostgaard et al.
4,664,275 A	5/1987	Kasai et al.	6,068,150 A	5/2000	Mitchell et al.
4,703,781 A	11/1987	Meyer et al.	6,070,748 A	6/2000	Sotrar
4,842,028 A	6/1989	Kaufman et al.	6,095,355 A	8/2000	Jessen et al.
5,085,332 A	2/1992	Gettig et al.	6,145,688 A	11/2000	Smith
5,088,612 A	2/1992	Storar et al.	D439,345 S	3/2001	Herchenbach et al.
5,088,995 A	2/1992	Packard et al.	6,223,918 B1	5/2001	Browne
5,129,212 A	7/1992	Duffey et al.	6,234,335 B1	5/2001	Gee et al.
5,247,015 A	9/1993	Bayan	6,382,441 B1	5/2002	Carano
5,341,854 A	8/1994	Zezulka et al.	D485,365 S *	1/2004	Py et al. D24/224
5,344,036 A	9/1994	Stanescu et al.	D505,494 S *	5/2005	Py et al. D24/224
5,379,908 A	1/1995	Rohe	D522,663 S *	6/2006	Py et al. D24/224
5,411,065 A	5/1995	Meador et al.	D527,463 S *	8/2006	Py et al. D24/224
5,464,111 A	11/1995	Vacek et al.	D533,670 S *	12/2006	Py et al. D24/224
5,484,566 A	1/1996	Gabbard	D561,907 S *	2/2008	Py et al. D24/224
5,514,339 A	5/1996	Leopardi et al.	D561,908 S *	2/2008	Py et al. D24/224
5,549,141 A	8/1996	Meador et al.	D585,561 S *	1/2009	Py et al. D24/224
5,641,004 A	6/1997	Py	7,568,509 B2 *	8/2009	Py 141/301
D383,214 S	9/1997	Brennan	2001/0041872 A1	11/2001	Paul, Jr.
D389,586 S	1/1998	Brennan	2002/0010995 A1	1/2002	Thibault et al.
5,718,348 A	2/1998	Manera	2002/0023893 A1	2/2002	Sudo et al.
			2002/0029022 A1	3/2002	Naritomi et al.

* cited by examiner

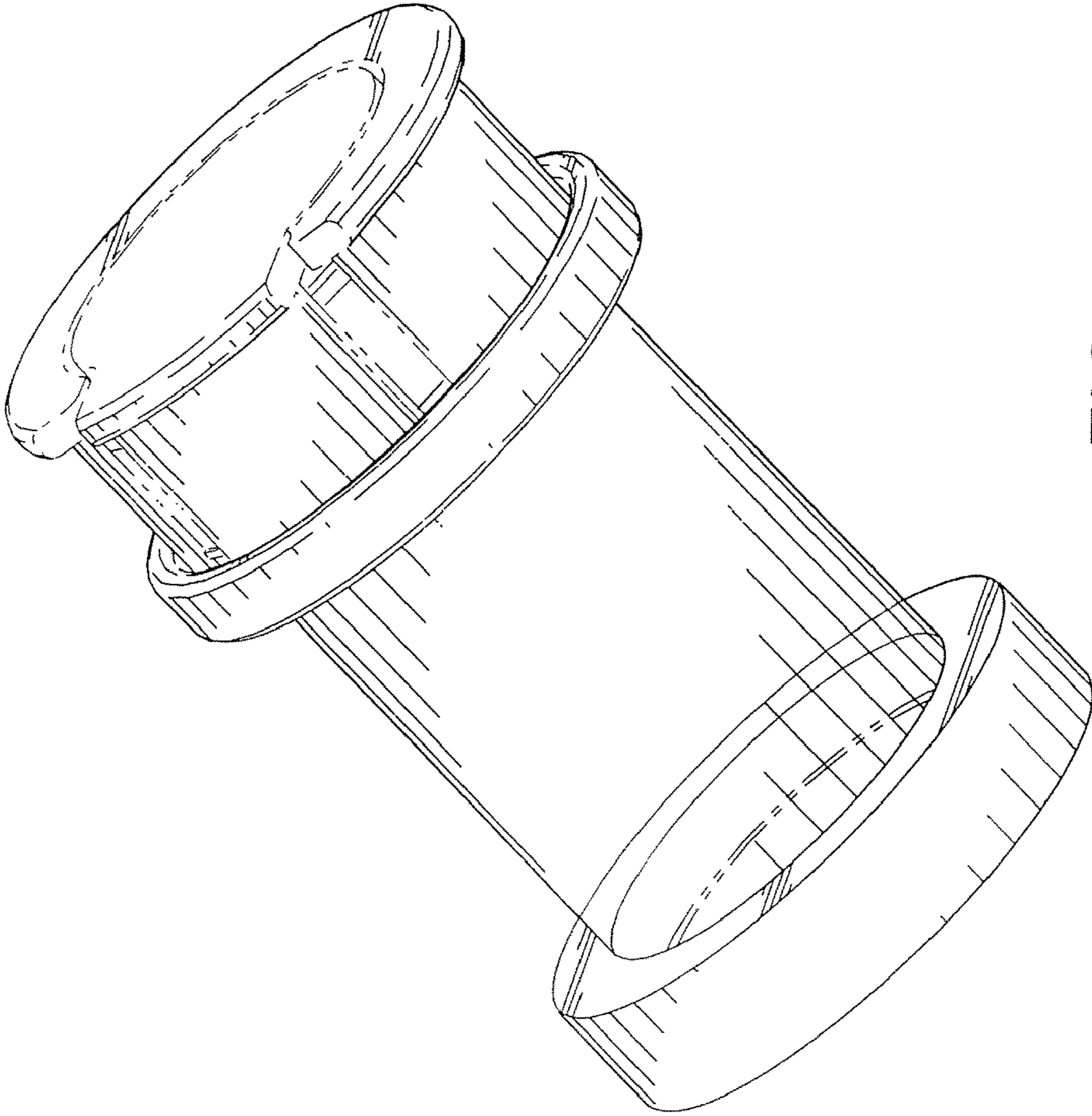


FIG. 1

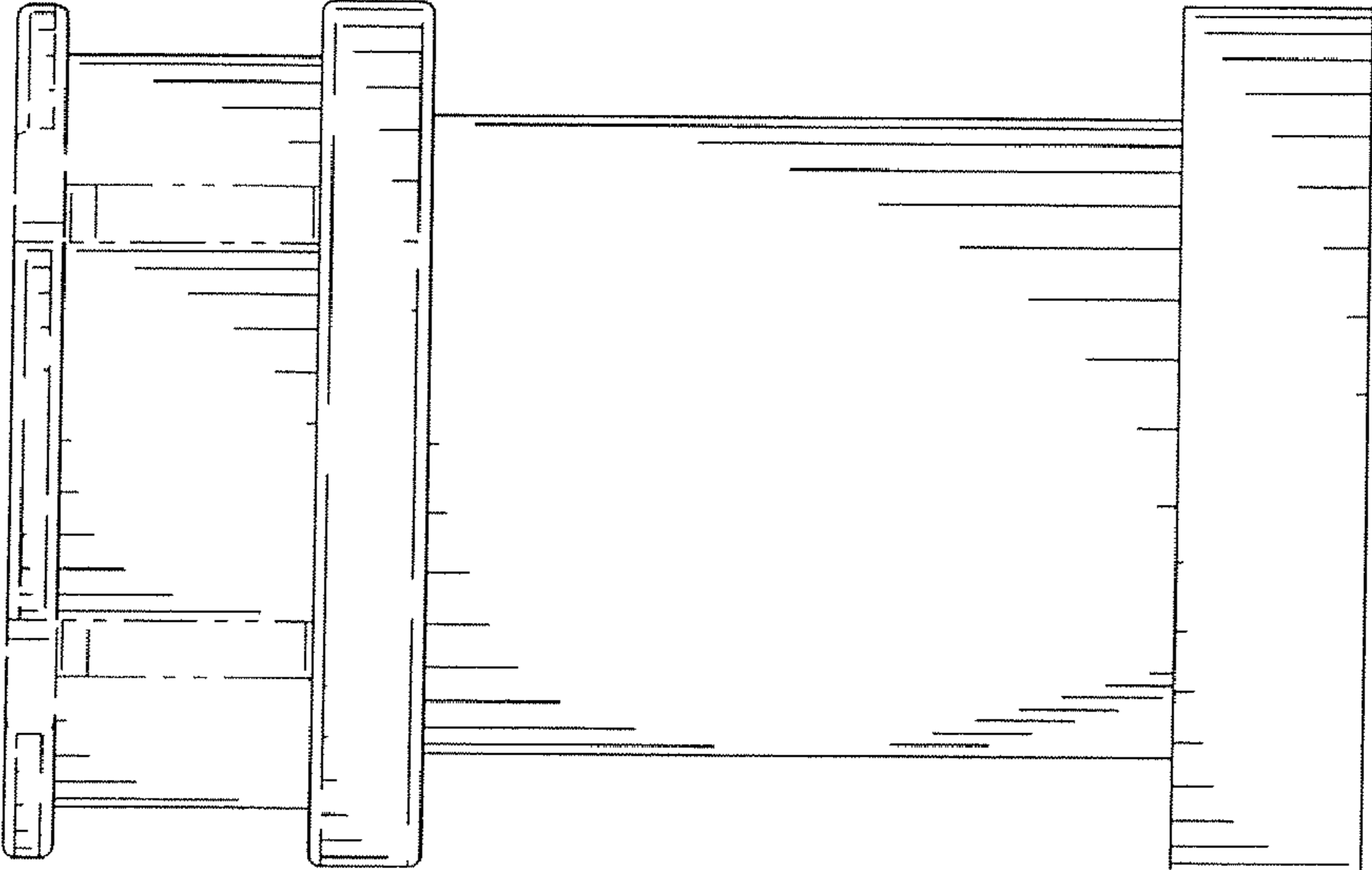


FIG. 2



FIG. 3

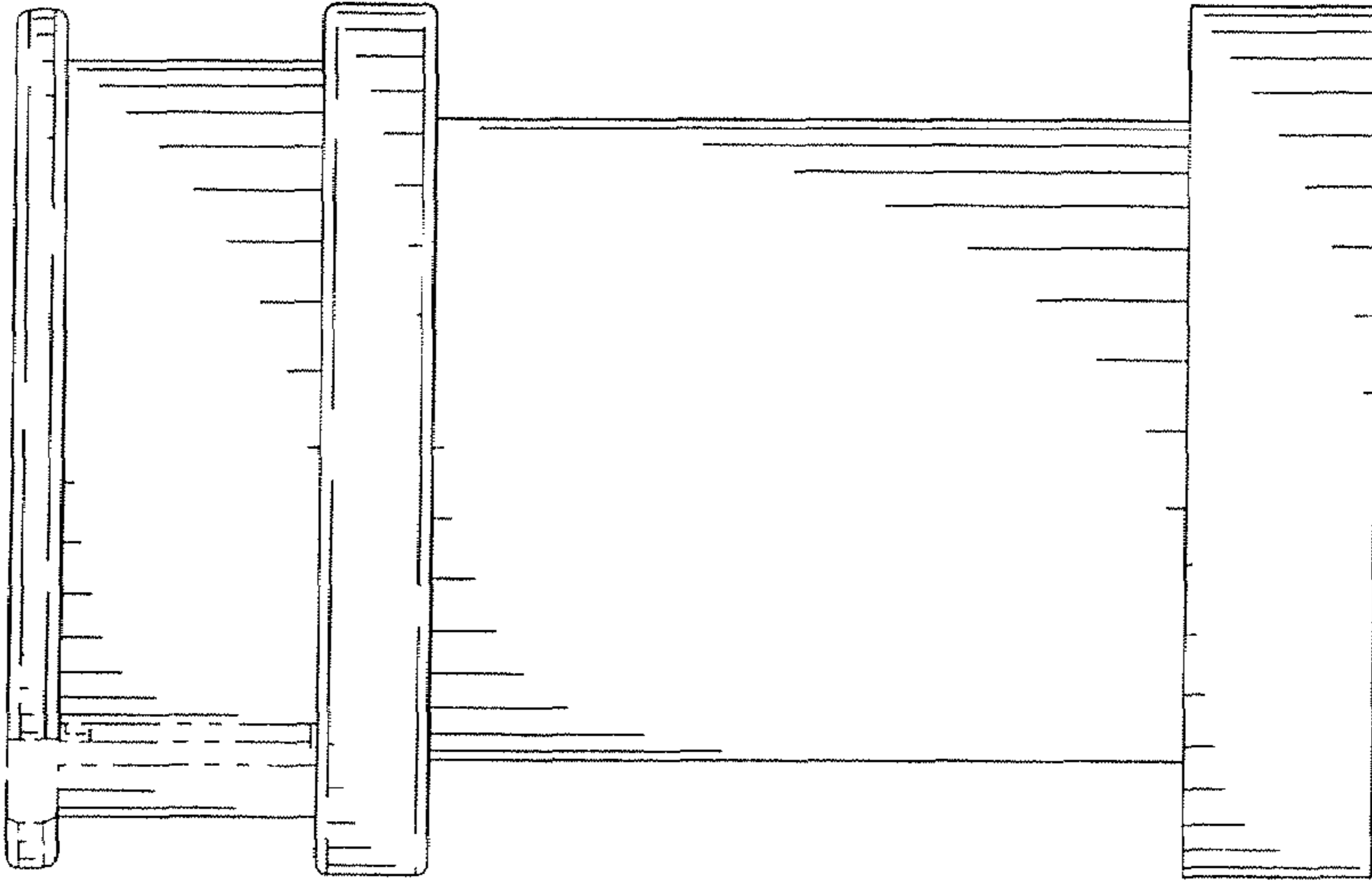


FIG. 4

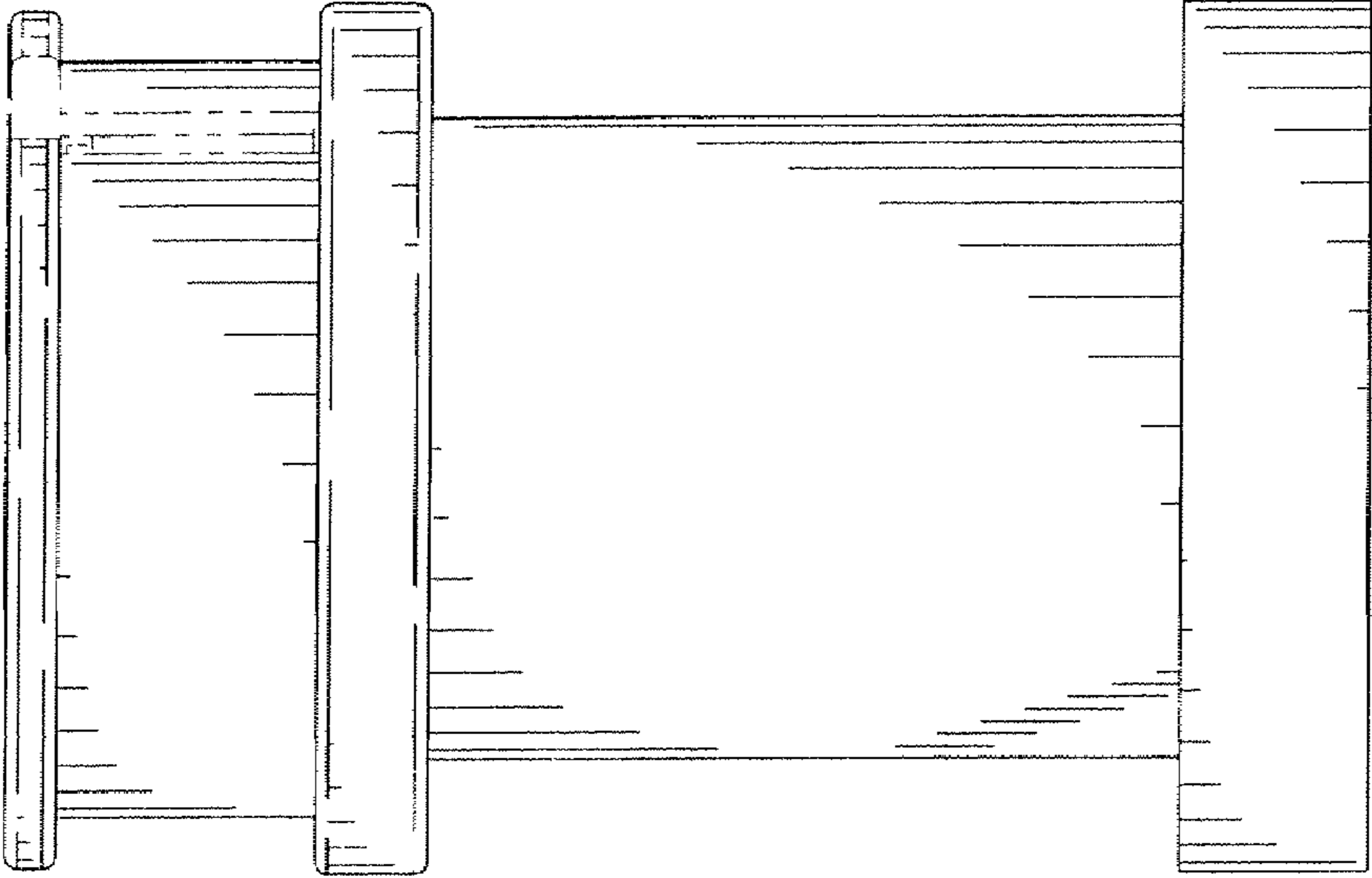


FIG. 5

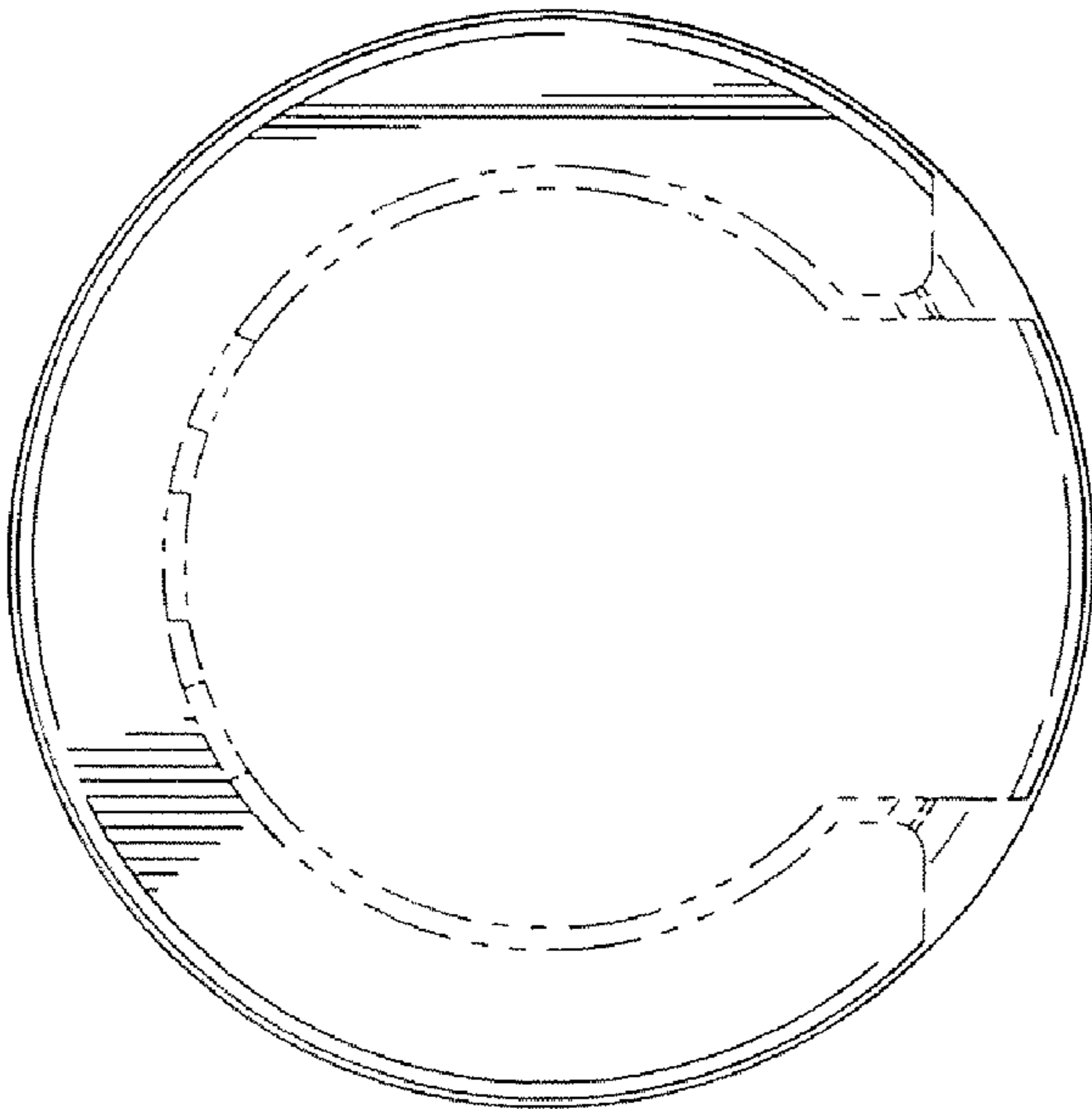


FIG. 6

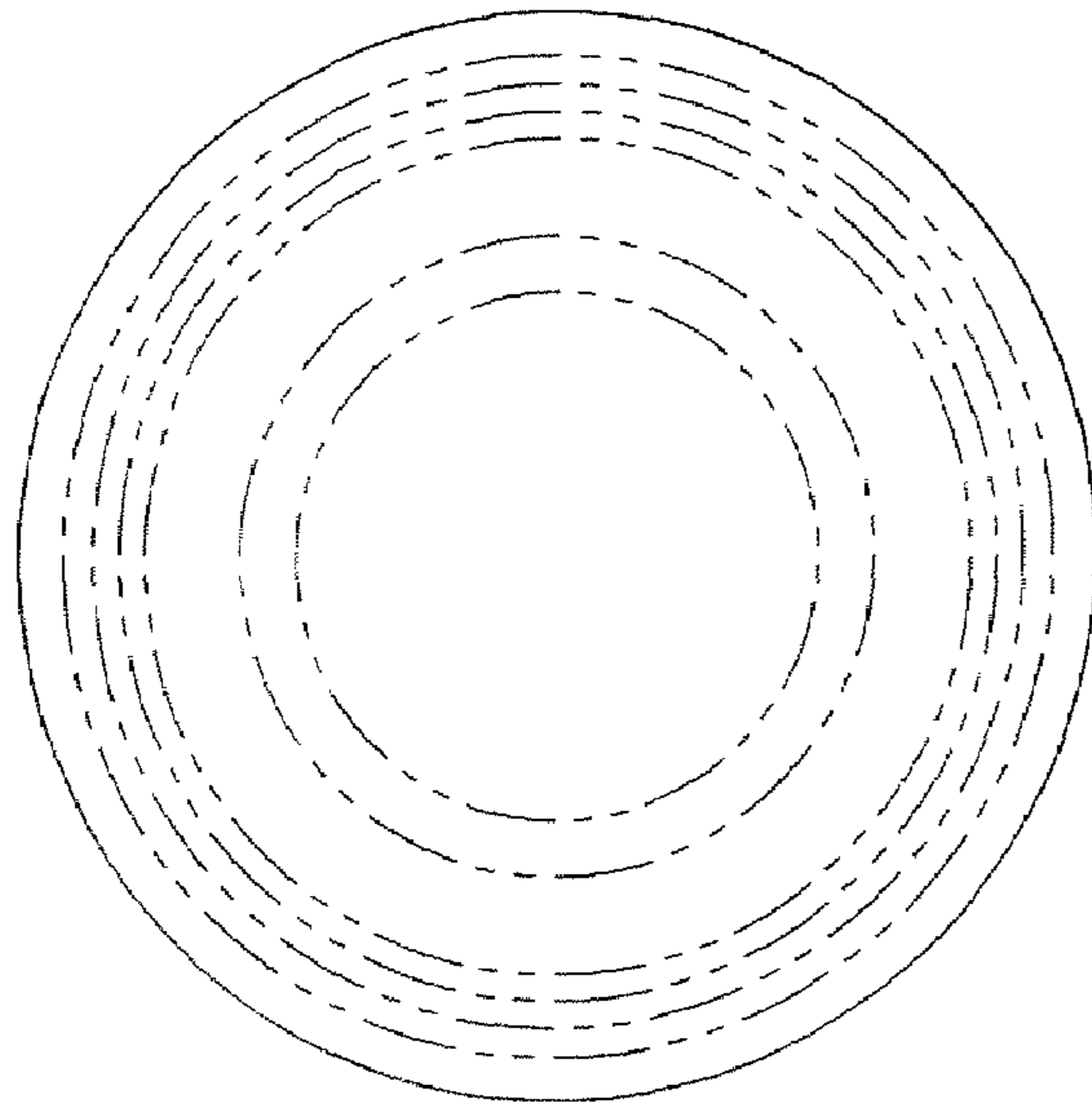


FIG. 7

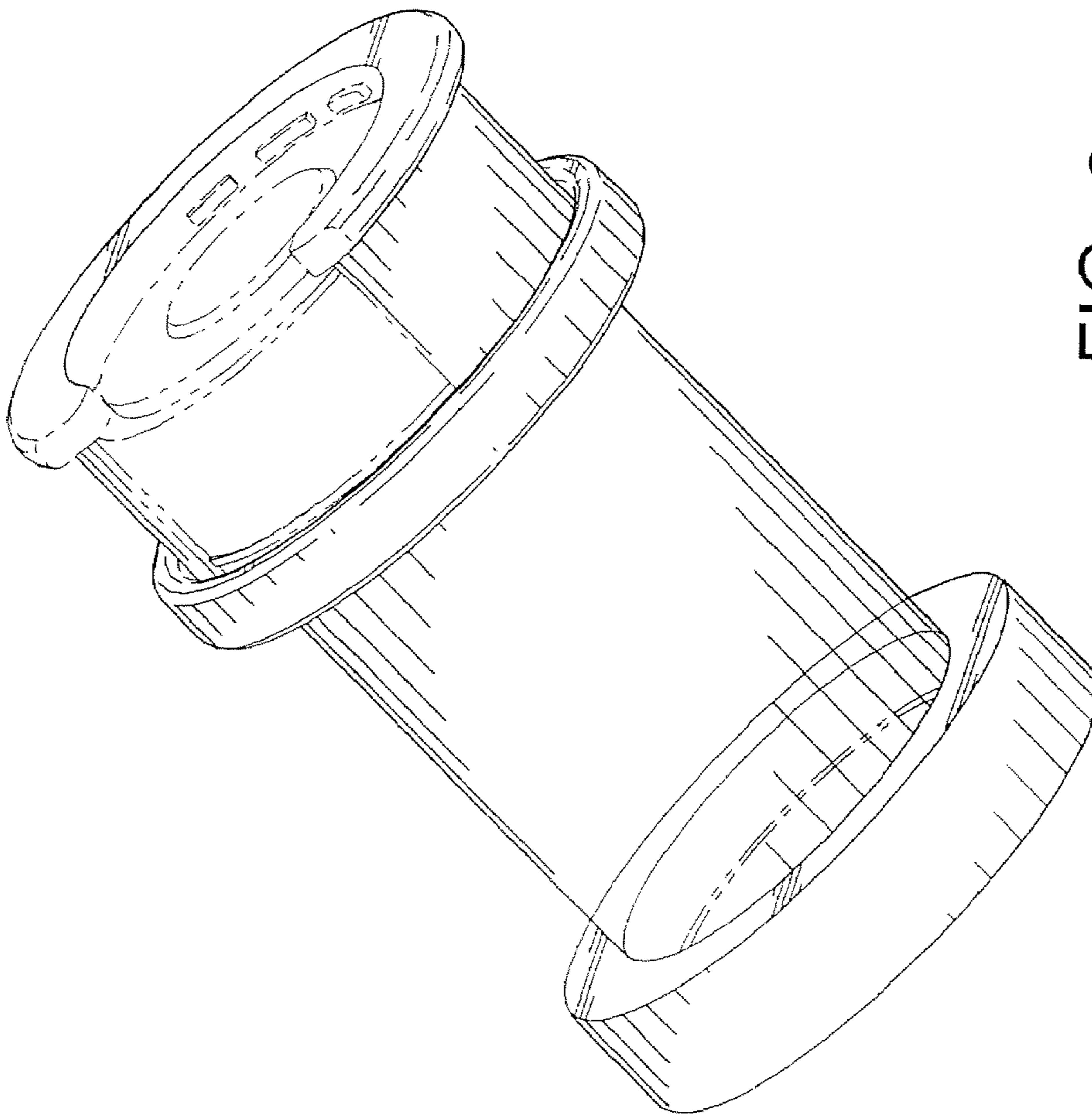


FIG. 8

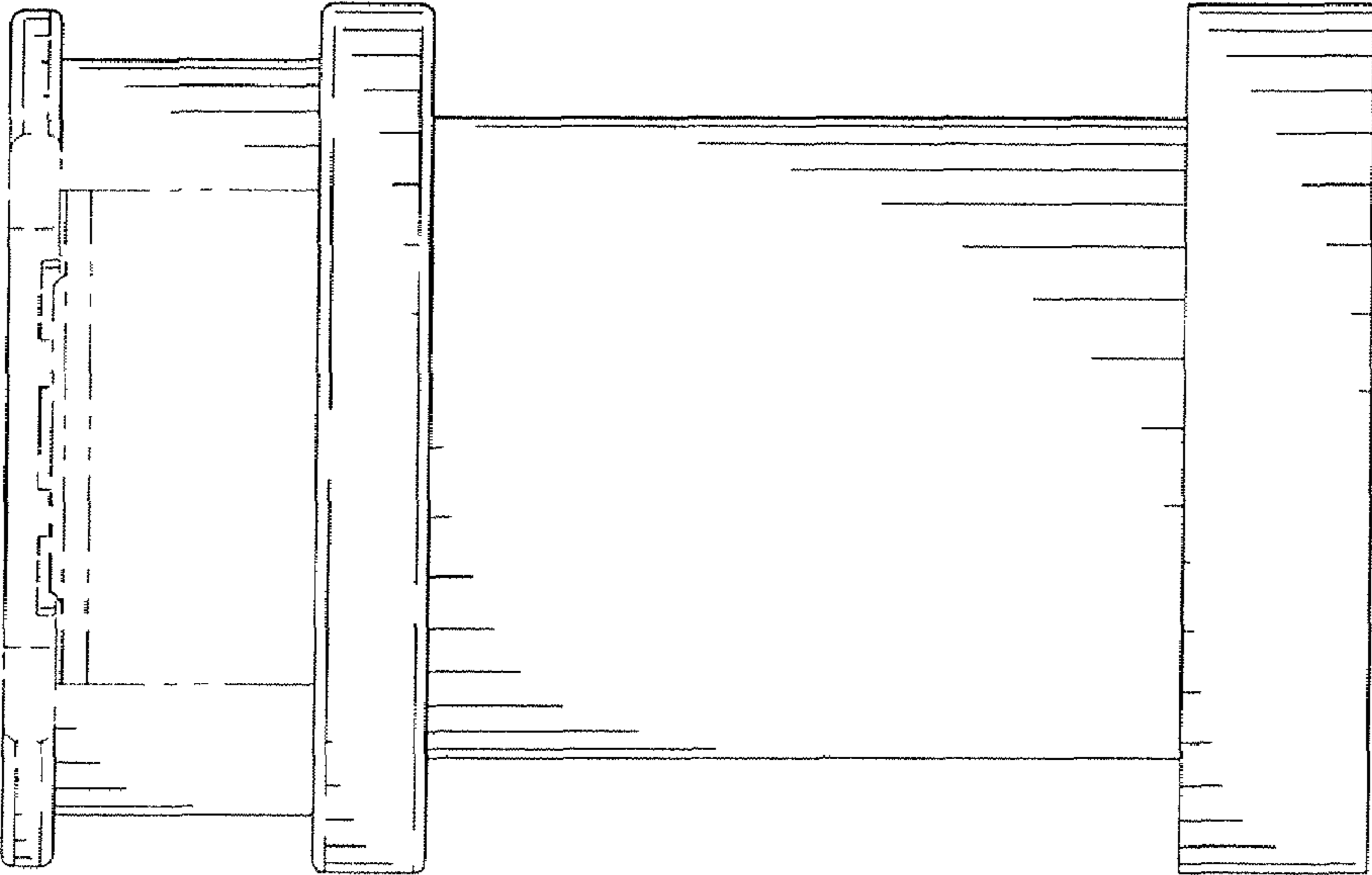


FIG. 9

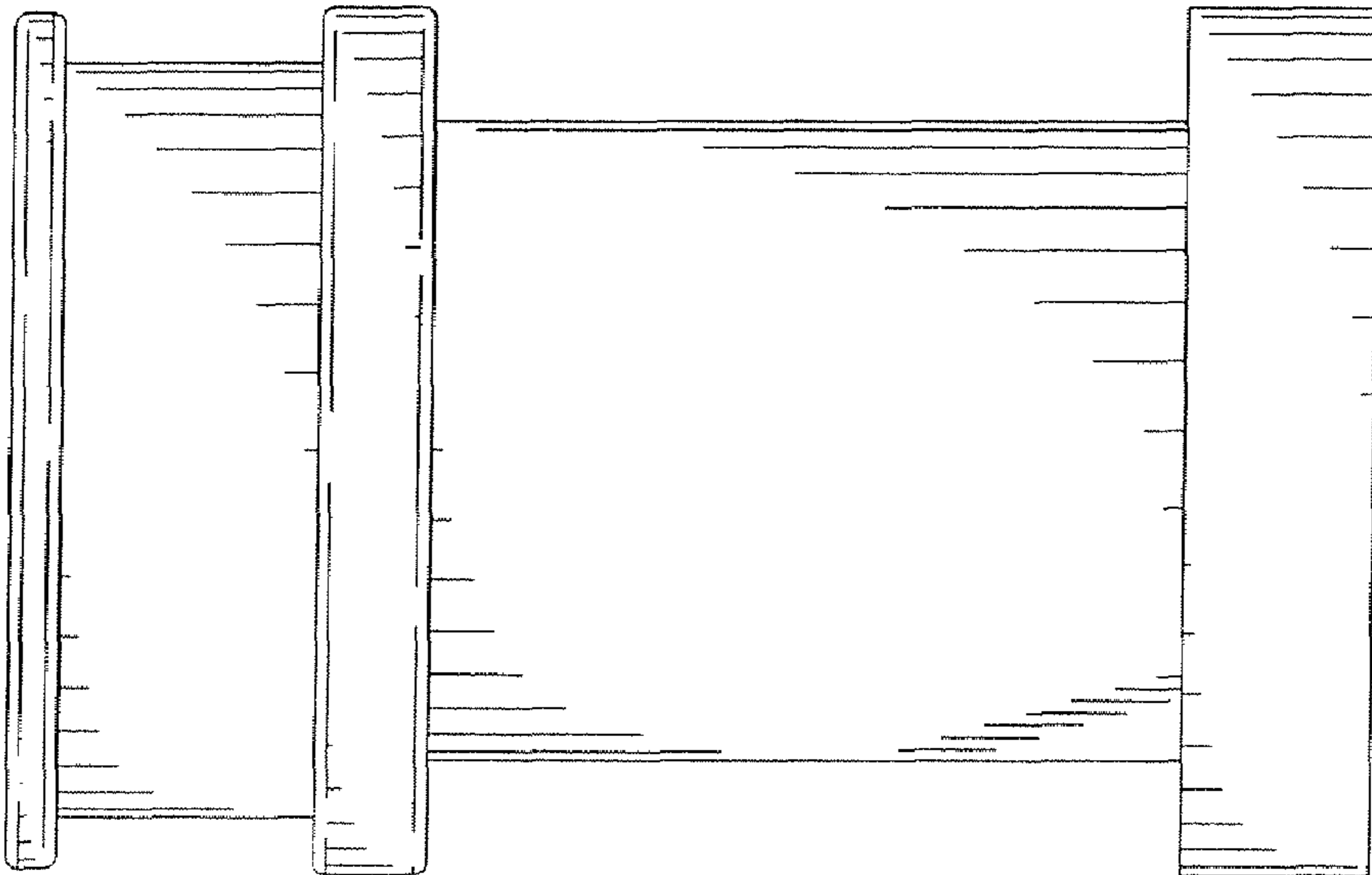


FIG. 10

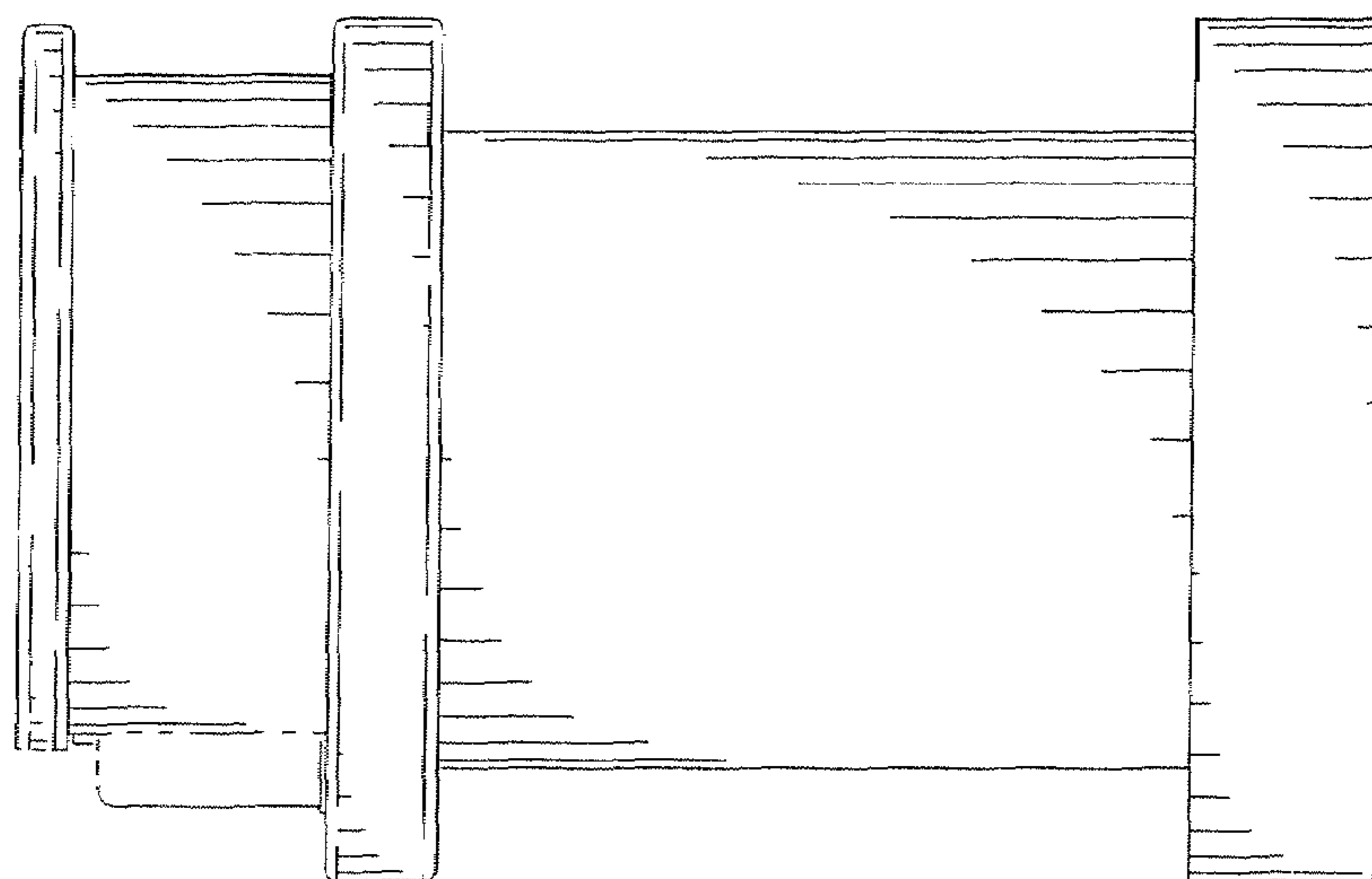


FIG. 11

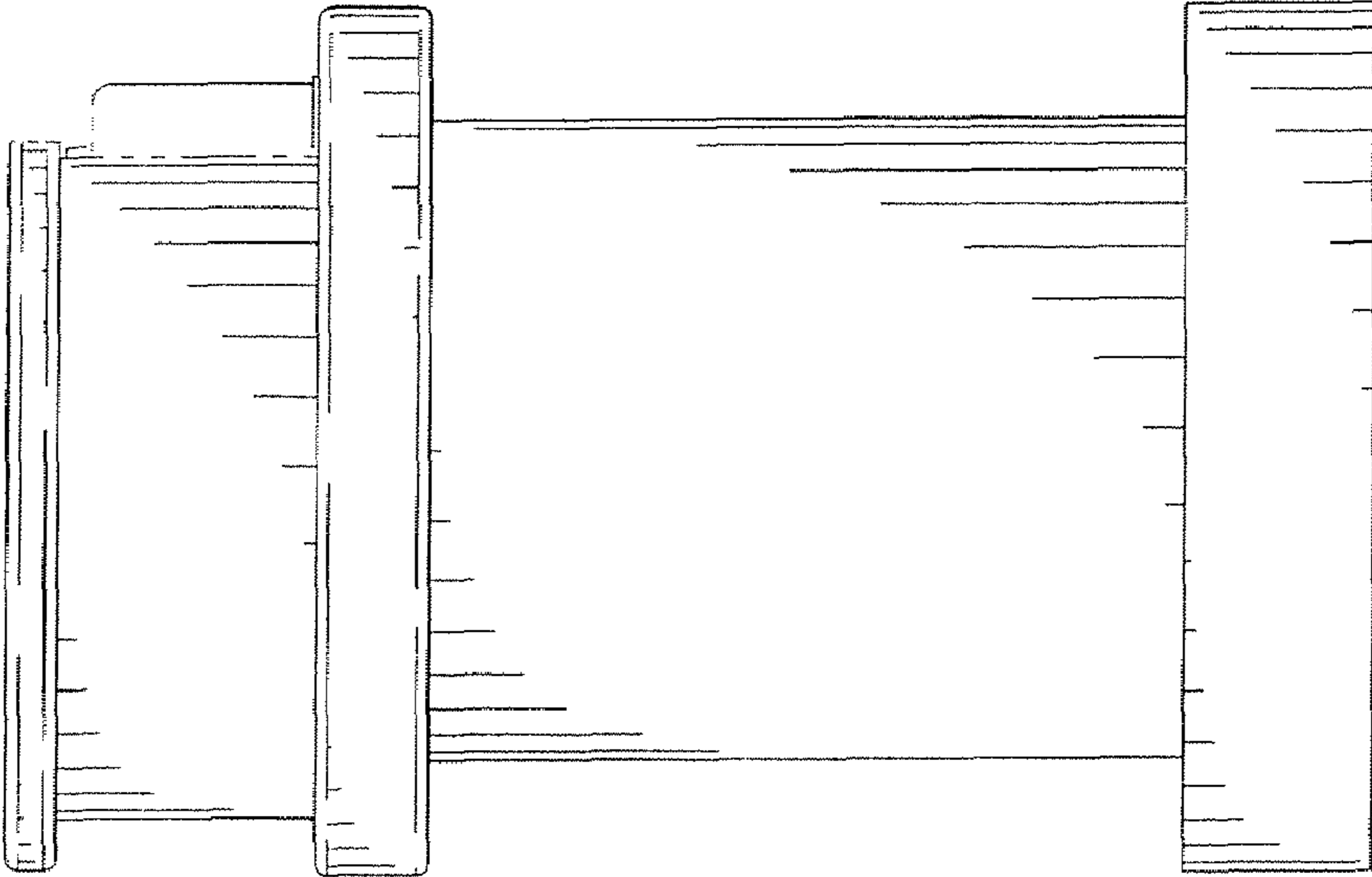


FIG. 12

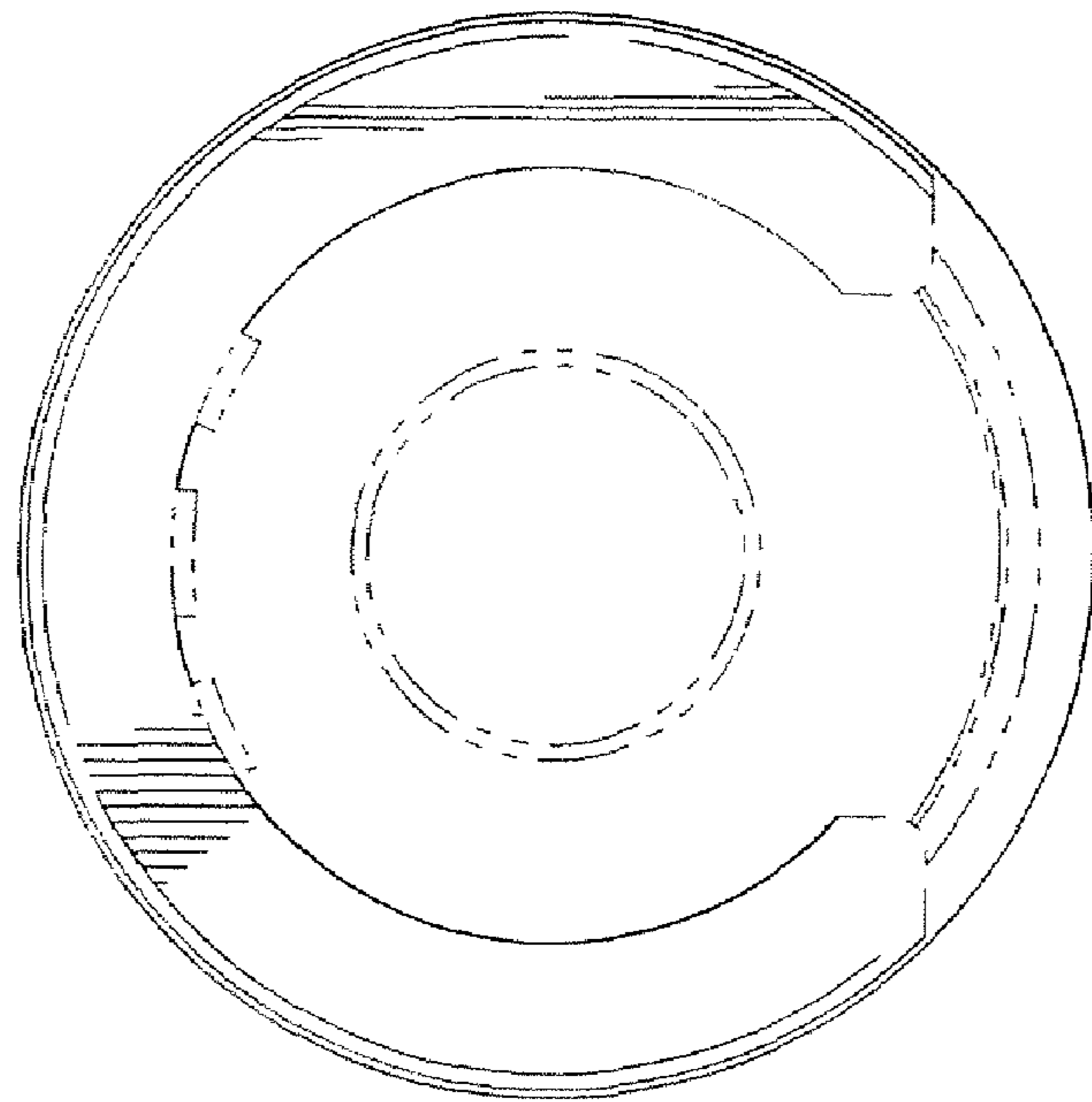


FIG. 13

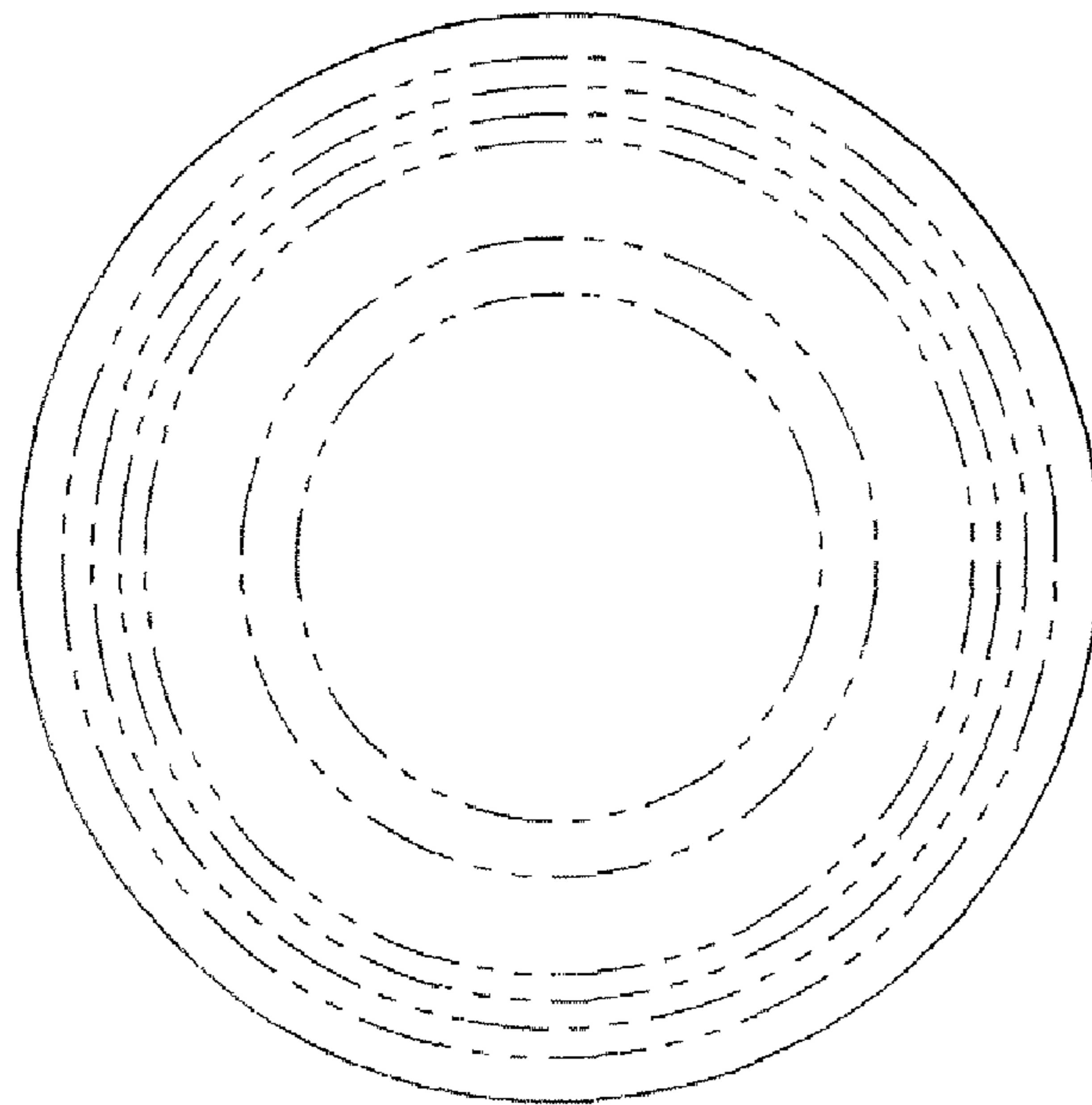


FIG. 14