



US00D607117S

(12) **United States Design Patent**
Horton et al.

(10) **Patent No.:** **US D607,117 S**

(45) **Date of Patent:** **** Dec. 29, 2009**

(54) **RADIATION SHIELDING CONTAINER LID**

D562,462 S * 2/2008 Muir et al. D24/224
D562,987 S * 2/2008 Colin et al. D24/224

(75) Inventors: **Duane L. Horton**, St. Louis, MO (US);
Andrew D. Speth, St. Louis, MO (US)

* cited by examiner

Primary Examiner—T. Chase Nelson
Assistant Examiner—Anhdao Doan

(73) Assignee: **Mallinckrodt Inc.**, Hazelwood, MO
(US)

(**) Term: **14 Years**

(57) **CLAIM**

(21) Appl. No.: **29/279,647**

The ornamental design for a radiation shielding container lid,
as shown and described.

(22) Filed: **May 4, 2007**

DESCRIPTION

(51) **LOC (9) Cl.** **24-01**

FIG. 1 is a perspective view of a radiation shielding container lid;

(52) **U.S. Cl.** **D24/224**

FIG. 2 is a top plan view thereof;

(58) **Field of Classification Search** D24/216–226,
D24/231, 232; 422/99, 102; D9/435, 452,
D9/454, 503, 504, 529, 530, 516, 522, 549;
D3/203.1–203.8; 435/288.1, 304.1; 436/810;
D10/81; 250/496.1, 506.1, 507.1

FIG. 3 is a cross sectional view thereof taken along line 3—3
in FIG. 2;

FIG. 4 is a cross sectional view thereof taken along line 4—4
in FIG. 2;

See application file for complete search history.

FIG. 5 is a front elevational view thereof, the rear elevational
view being identical thereto;

(56) **References Cited**

FIG. 6 is a left side elevational view thereof, the right side
elevational view being identical thereto; and,

U.S. PATENT DOCUMENTS

D404,830 S * 1/1999 Childs et al. D24/224
D448,294 S * 9/2001 Alscher et al. D9/435
D457,247 S * 5/2002 Iheme et al. D24/224
D476,890 S * 7/2003 Hirose D9/452
D485,181 S * 1/2004 Yourist D9/452
D495,060 S * 8/2004 Hellstrom D24/224
D506,261 S * 6/2005 Hellstrom D24/224

FIG. 7 is a bottom plan view thereof.

The broken lines in the figures are included for the purpose of
illustrating portions of the radiation shielding container lid
that form no part of the claimed design.

1 Claim, 7 Drawing Sheets

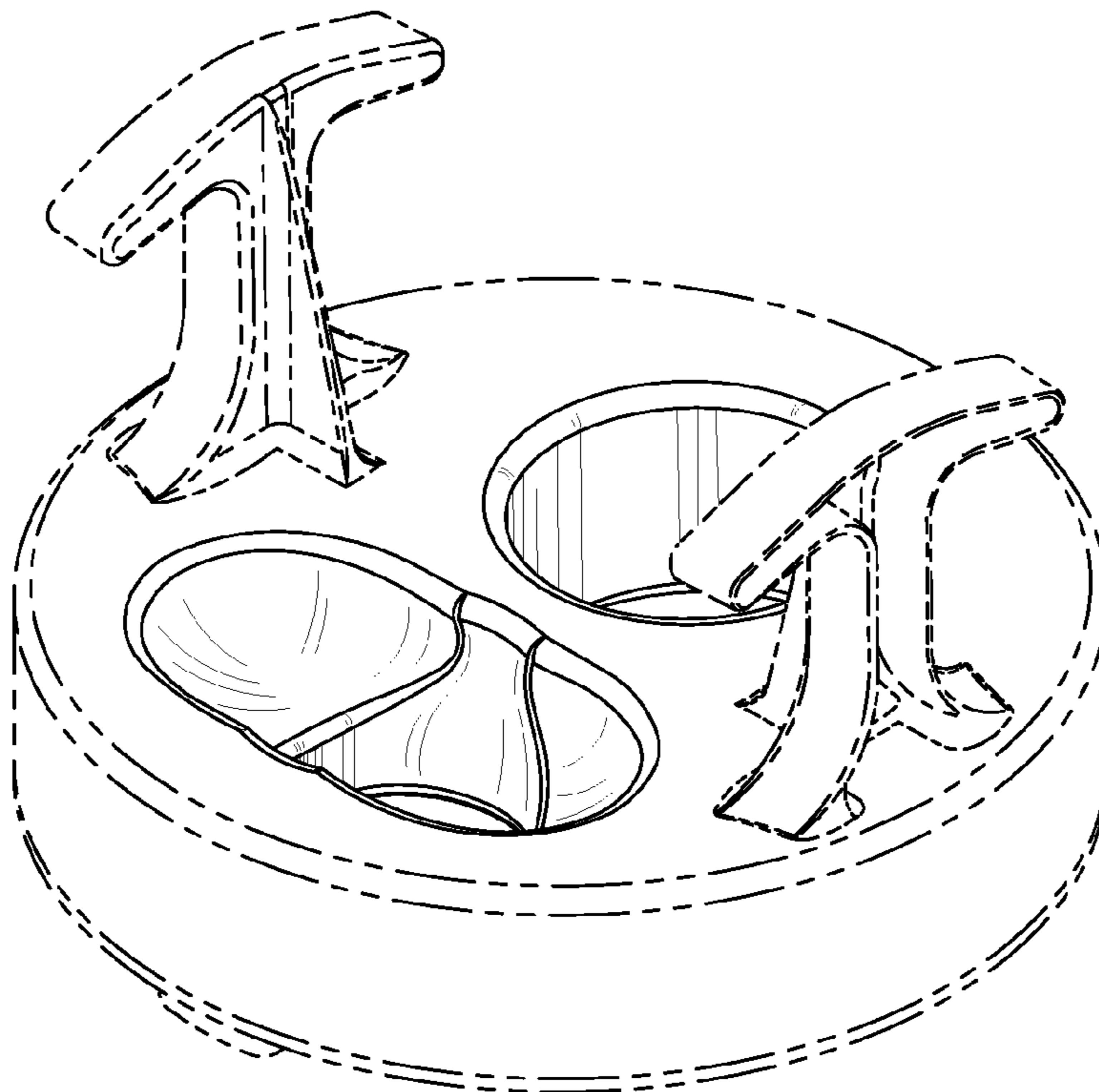


FIG. 1

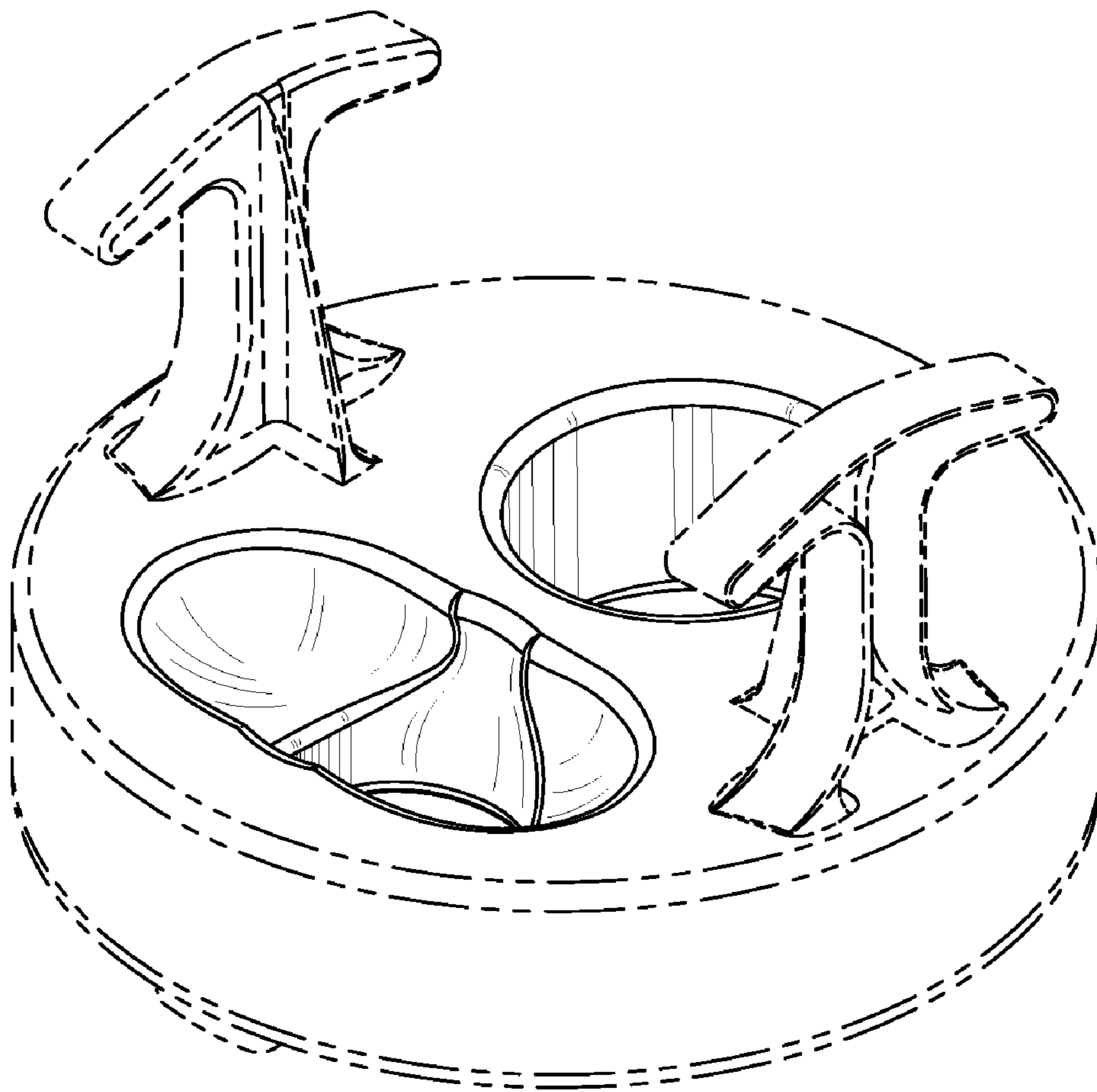


FIG. 2

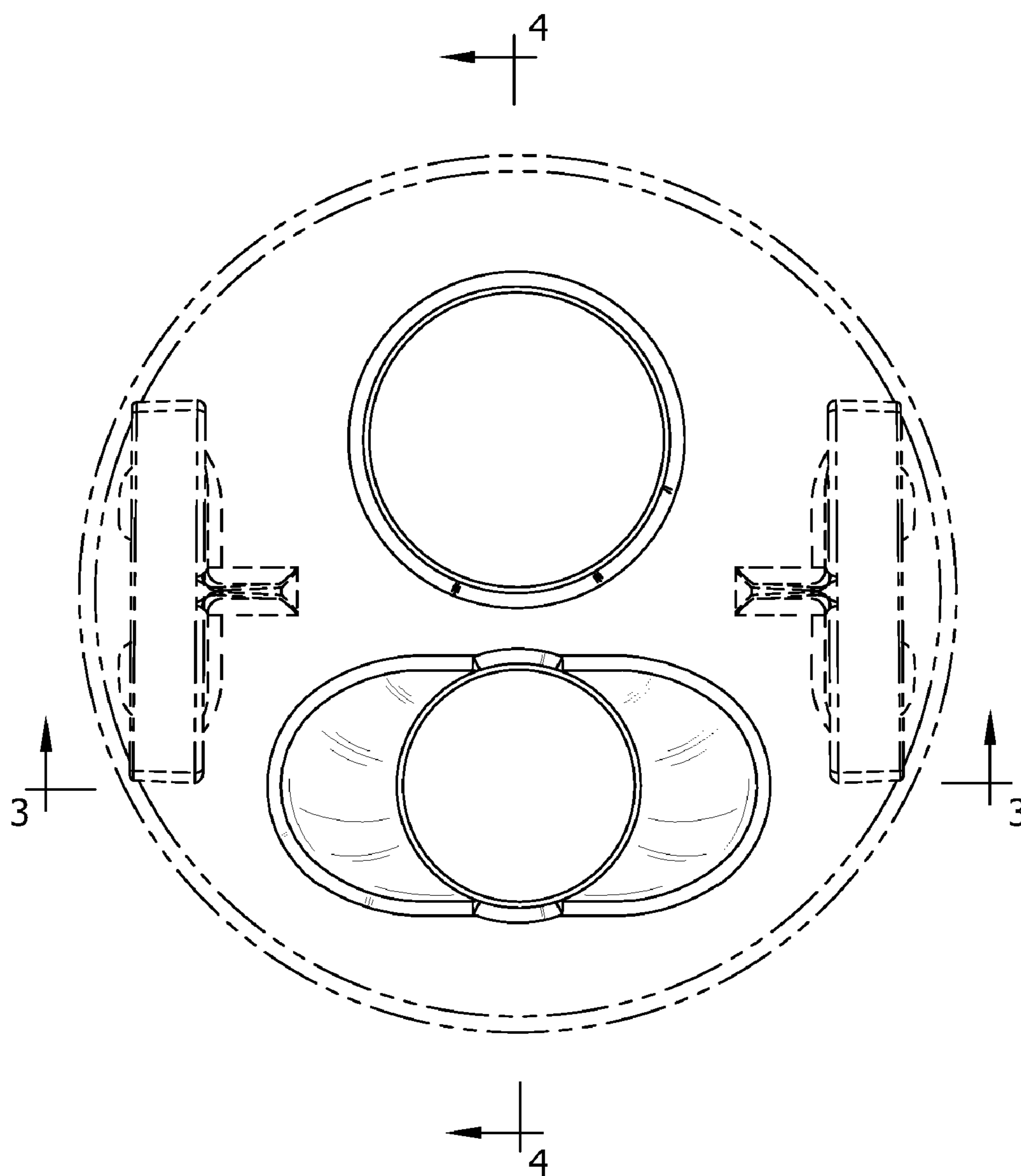


FIG. 3

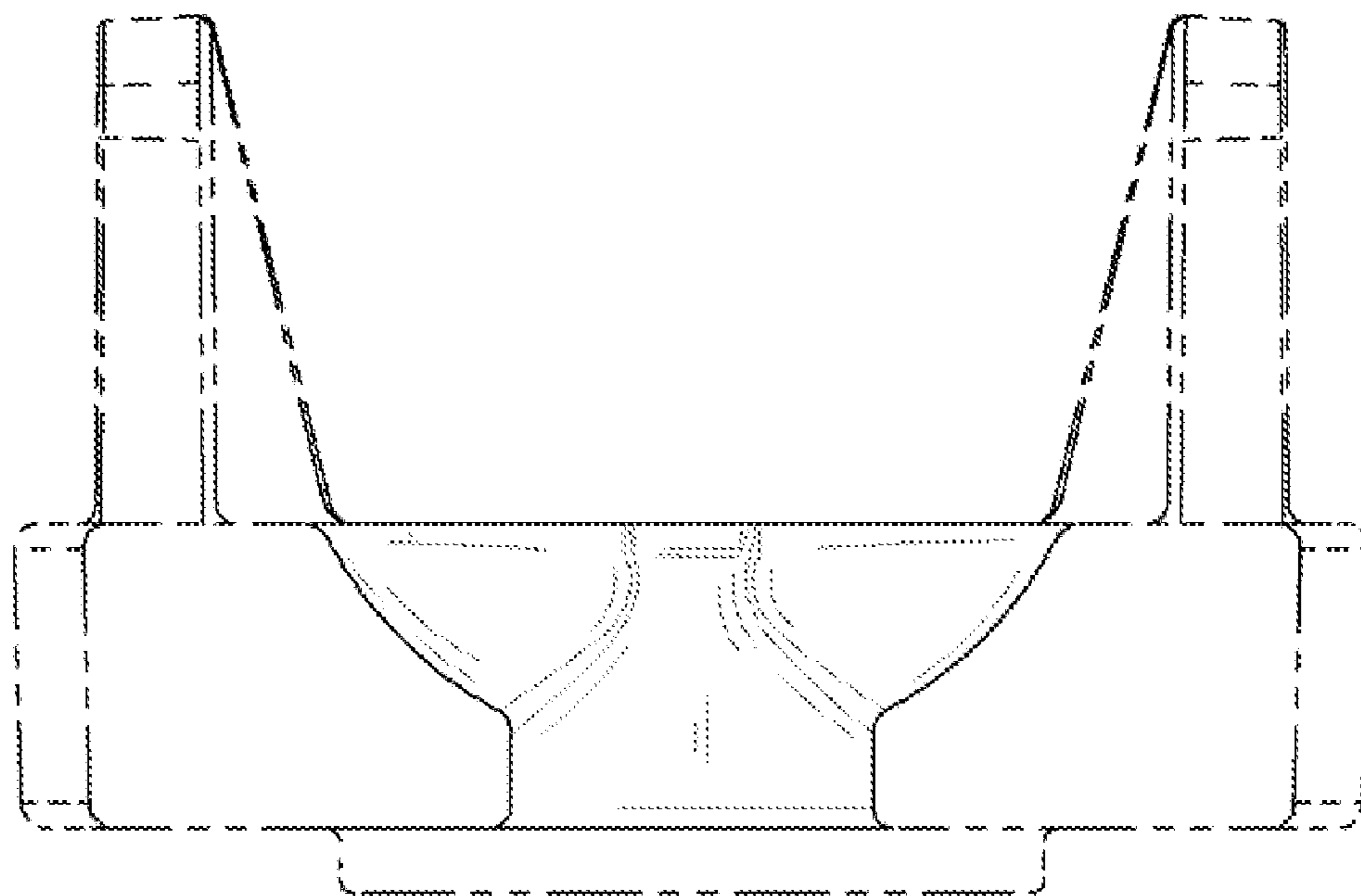


FIG. 4

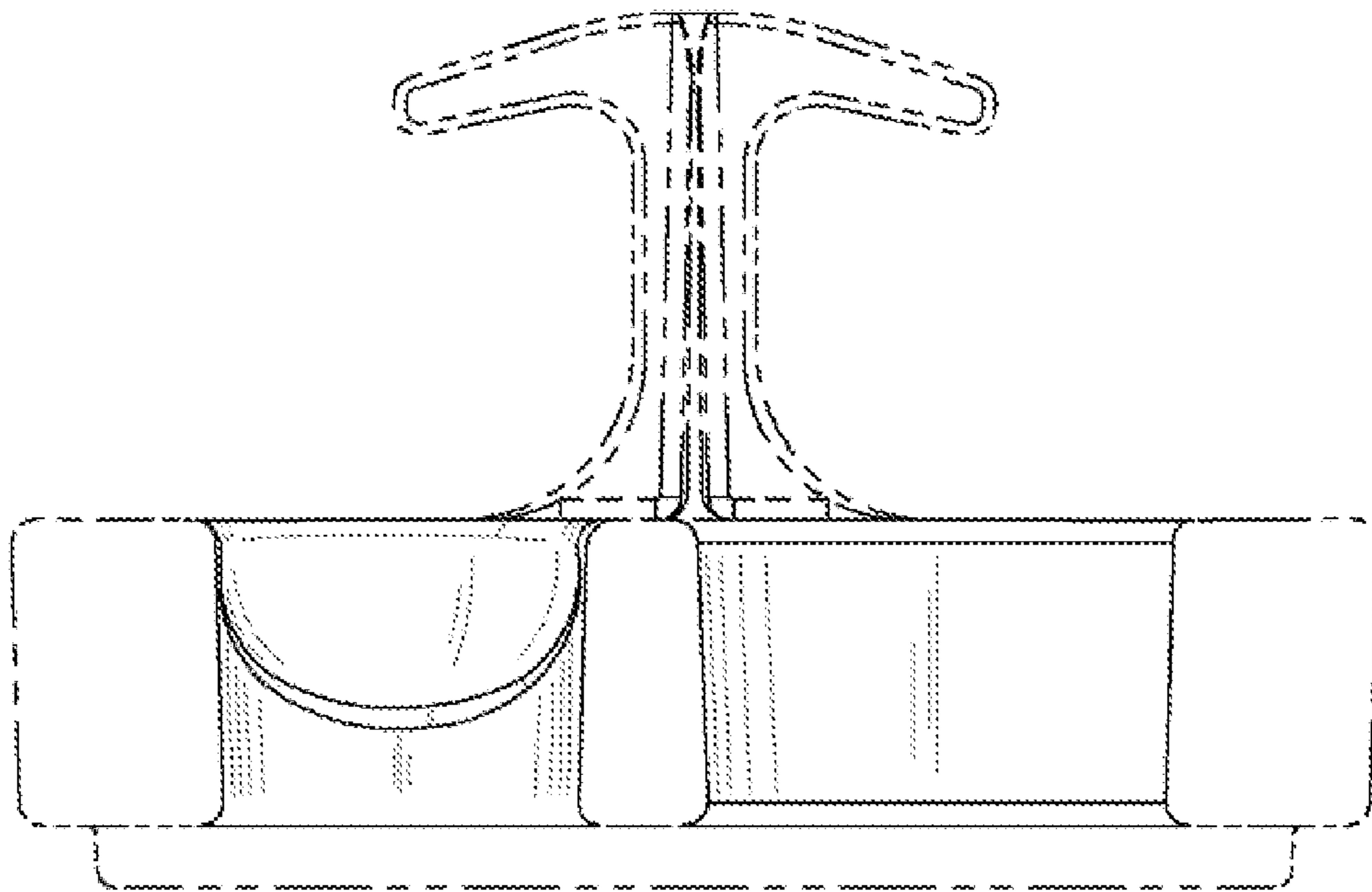


FIG. 5

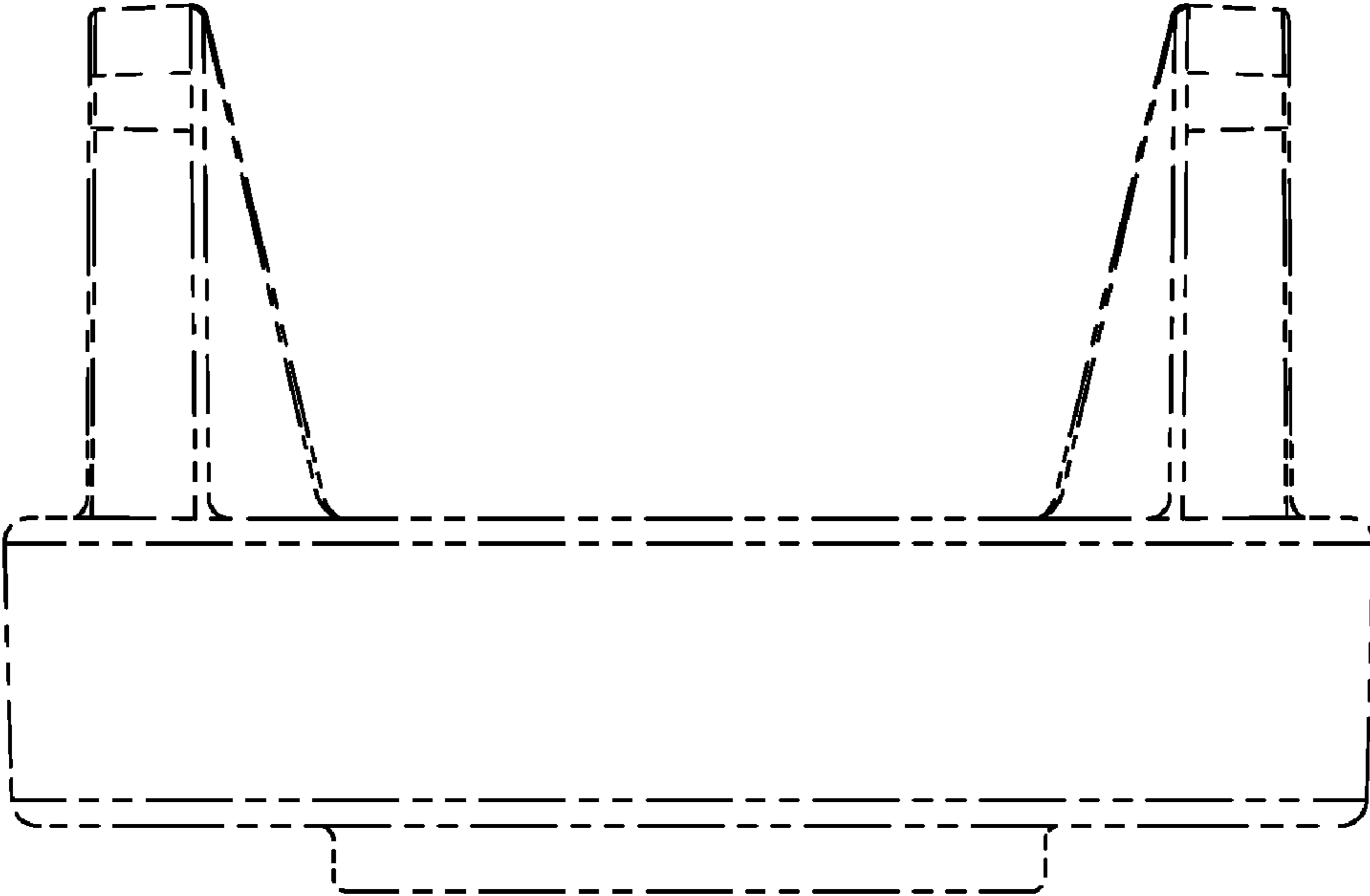


FIG. 6

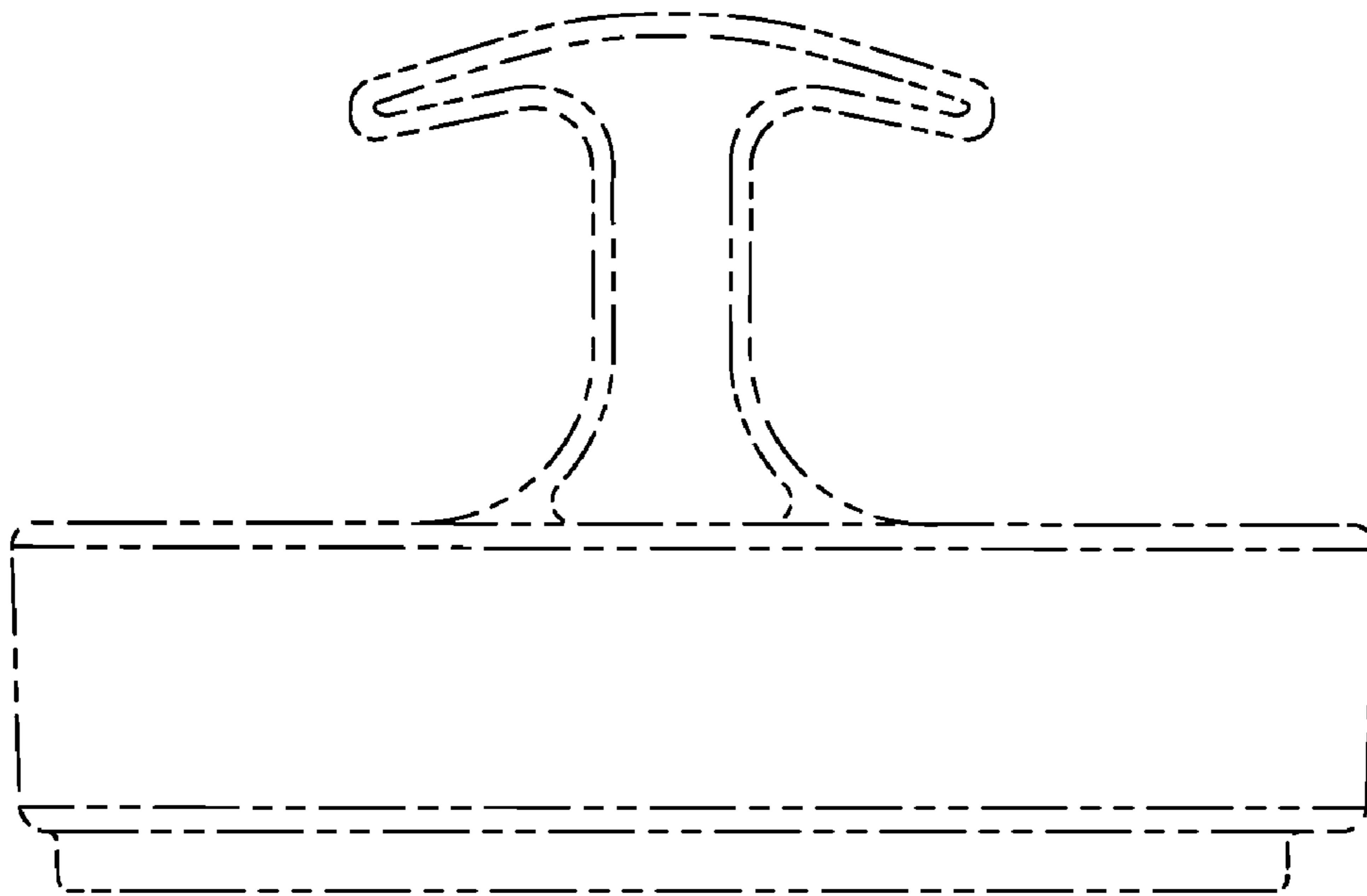


FIG. 7

