

US00D607110S

(12) **United States Design Patent**
Alvarez et al.

(10) **Patent No.:** **US D607,110 S**
(45) **Date of Patent:** **** Dec. 29, 2009**

(54) **PORTION OF A SUPPORT SYSTEM FOR DENTAL EQUIPMENT**

(75) Inventors: **Jason Alvarez**, Portland, OR (US);
Harold Halvorson, Jr., Beaverton, OR (US)

(73) Assignee: **A-dec, Inc.**, Newberg, OR (US)

(**) Term: **14 Years**

(21) Appl. No.: **29/331,833**

(22) Filed: **Feb. 2, 2009**

(51) **LOC (9) Cl.** **24-04**

(52) **U.S. Cl.** **D24/177; D24/232**

(58) **Field of Classification Search** D24/177,
D24/176, 152; D10/75; 433/92, 97, 25,
433/77, 28, 229; 4/263; D23/250

See application file for complete search history.

(56) **References Cited**

U.S. PATENT DOCUMENTS

| | | | |
|---------------|---------|----------------------|---------|
| D199,978 S | 1/1965 | Carnese | |
| 3,530,513 A * | 9/1970 | Maurer et al. | 4/263 |
| 3,866,973 A | 2/1975 | Heubeck | |
| D237,327 S | 10/1975 | Collins et al. | |
| D268,149 S | 3/1983 | Case | |
| 5,022,858 A * | 6/1991 | Castellini | 433/97 |
| 5,127,830 A * | 7/1992 | Sheridan et al. | 433/77 |
| 5,137,449 A * | 8/1992 | Goldin et al. | 433/229 |
| 5,342,007 A | 8/1994 | LaPlante | |

| | | | |
|--------------|---------|-----------------------|---------|
| D360,466 S * | 7/1995 | Nordstrom et al. | D24/176 |
| D361,438 S | 8/1995 | Spencer et al. | |
| 5,823,699 A | 10/1998 | Austin, Jr. et al. | |
| D420,225 S | 2/2000 | Lamb et al. | |
| D458,379 S * | 6/2002 | Brockway et al. | D24/177 |
| 7,195,219 B2 | 3/2007 | Irwin et al. | |
| D578,787 S | 10/2008 | Genelli | |
| D585,526 S * | 1/2009 | Kohler et al. | D23/250 |

* cited by examiner

Primary Examiner—Charles A Rademaker

(74) *Attorney, Agent, or Firm*—Klarquist Sparkman, LLP

(57) **CLAIM**

We claim the ornamental design for a portion of a support system for dental equipment, as shown and described.

DESCRIPTION

FIG. 1 is a right side perspective view of a portion of a support system for dental equipment.

FIG. 2 is a side view of the left side of the support system of FIG. 1.

FIG. 3 is a top view of the support system of FIG. 1.

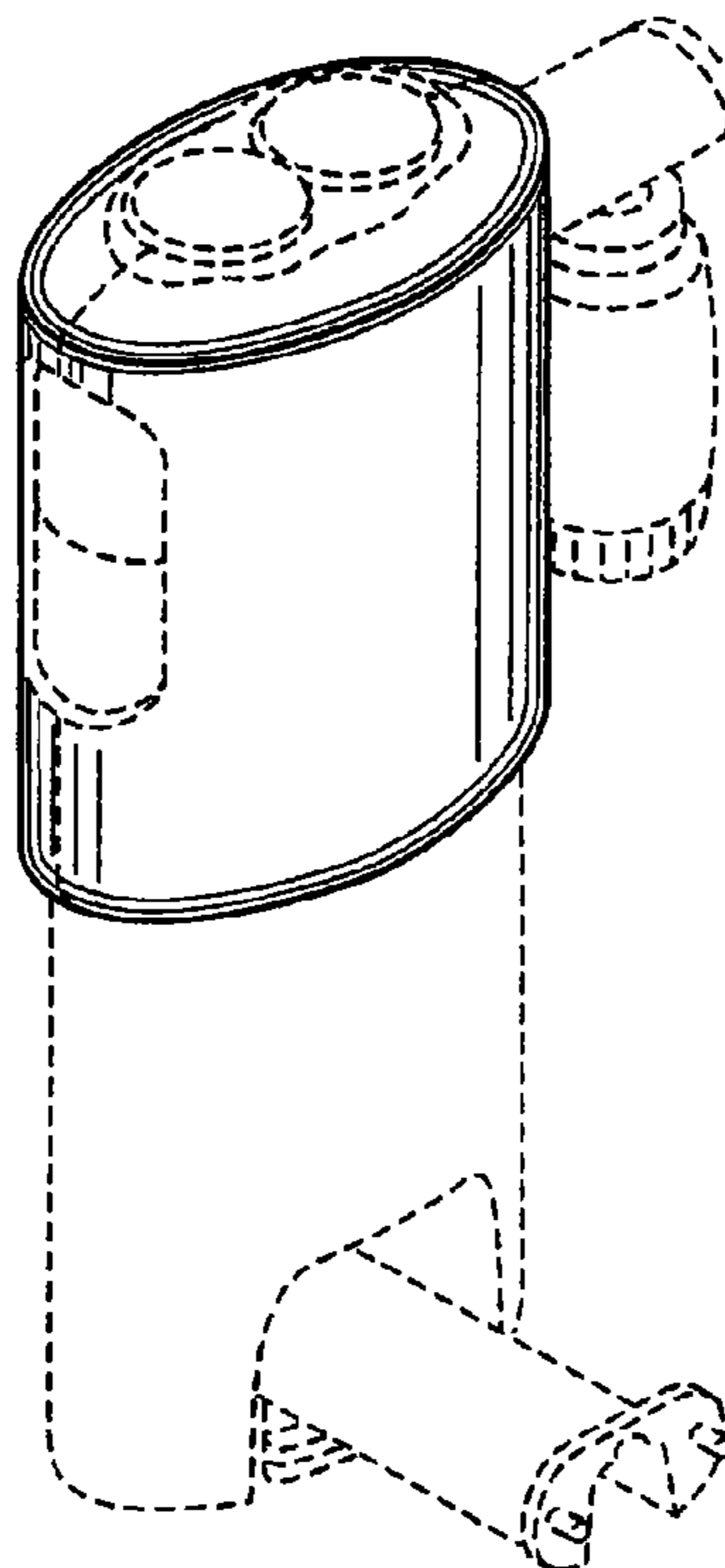
FIG. 4 is a front view of the support system of FIG. 1.

FIG. 5 is a right side view of the support system of FIG. 1; and,

FIG. 6 is a rear view of the support system of FIG. 1.

The broken lines shown herein are for illustrative purposes only and form no part of the claimed design. The bottom forms no part of the claimed design.

1 Claim, 2 Drawing Sheets



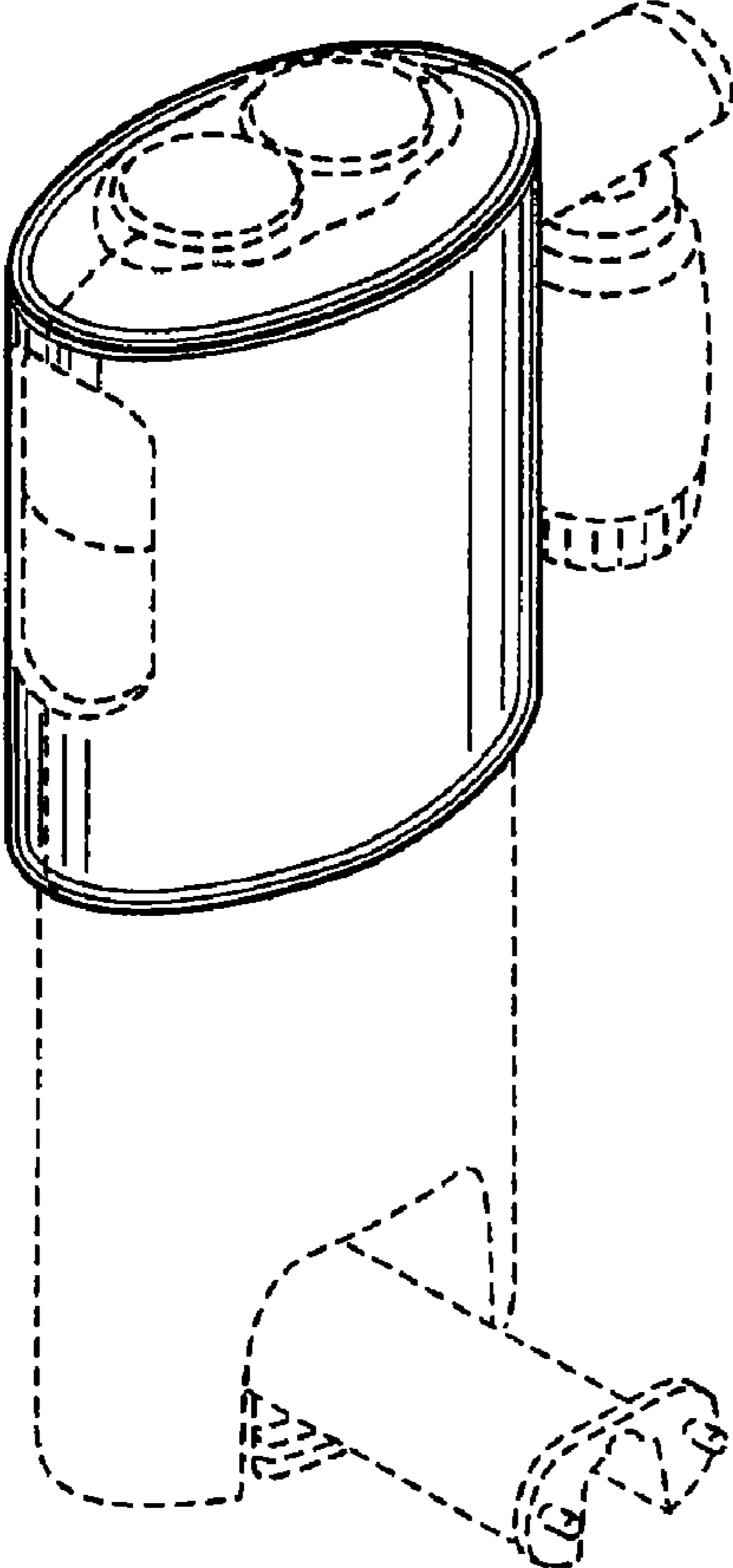


FIG. 1

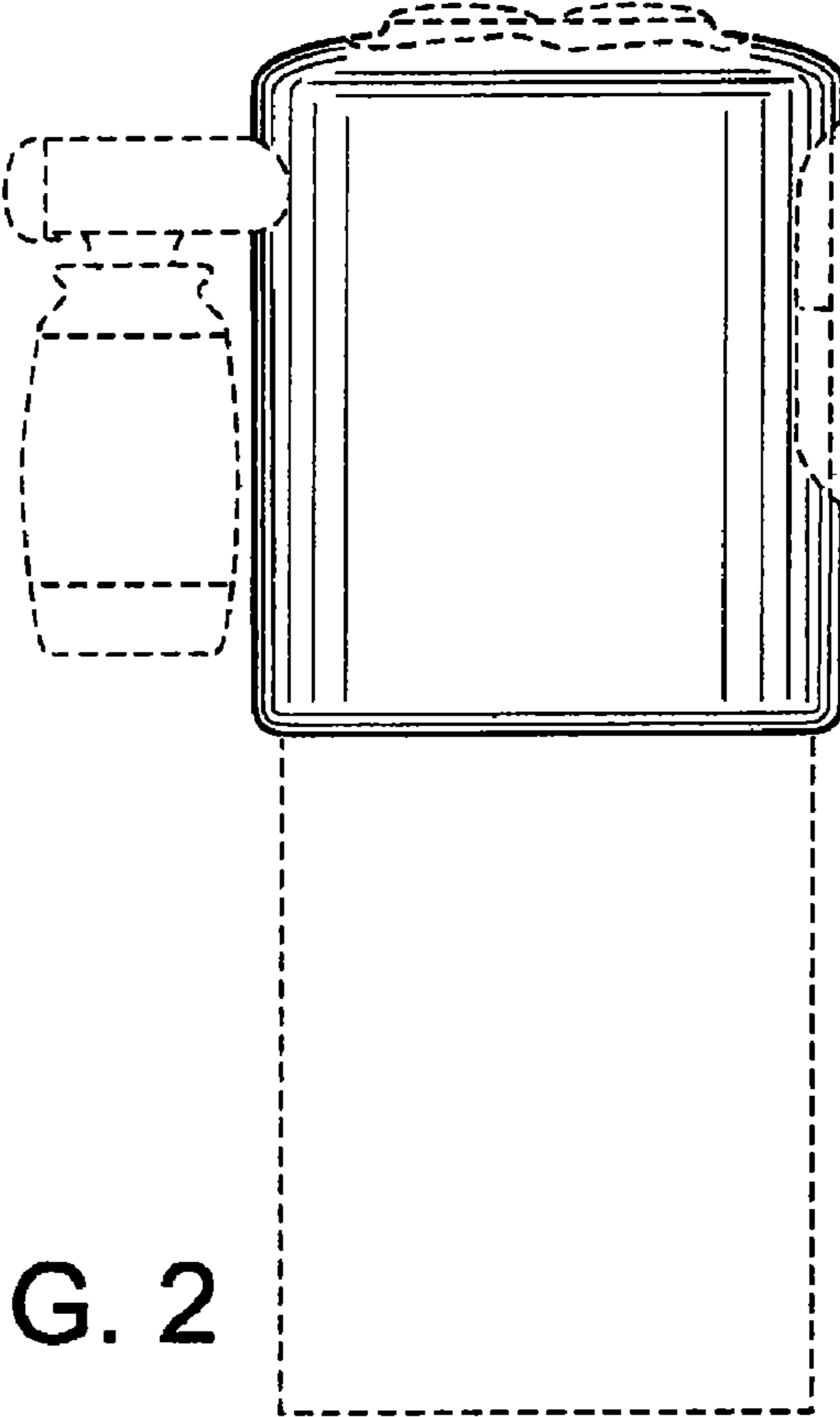


FIG. 2

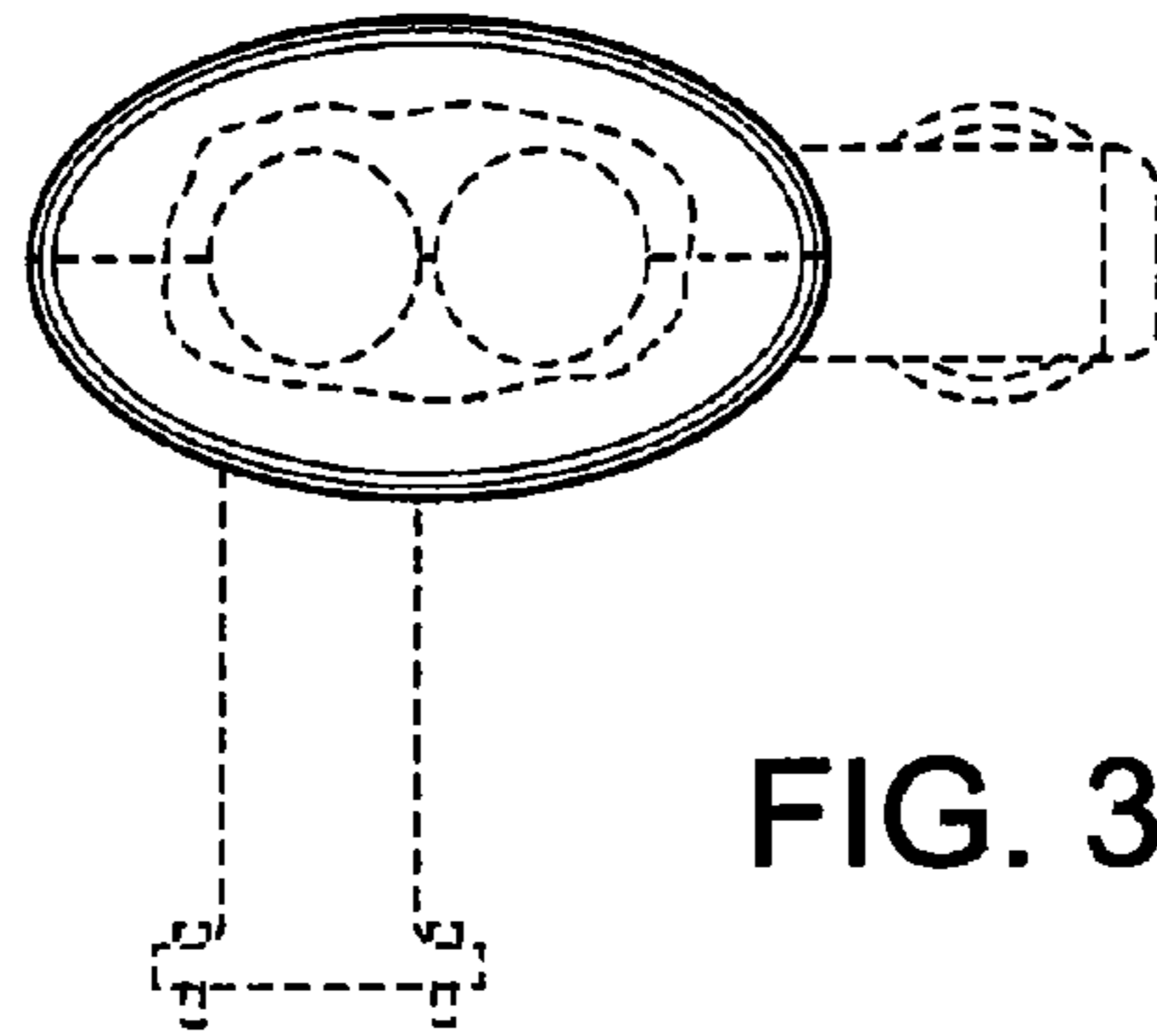


FIG. 3

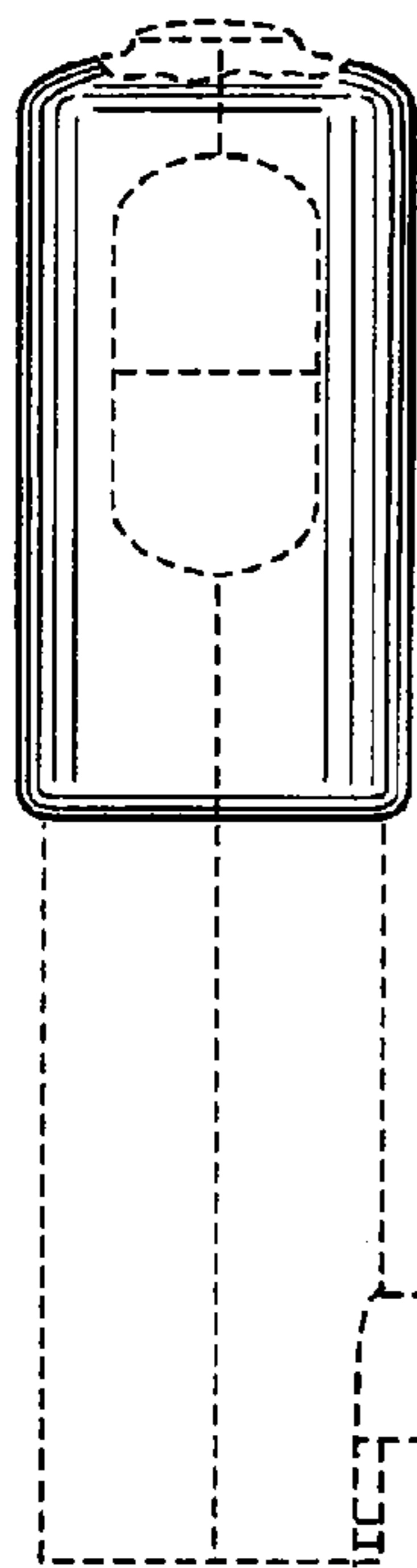


FIG. 4

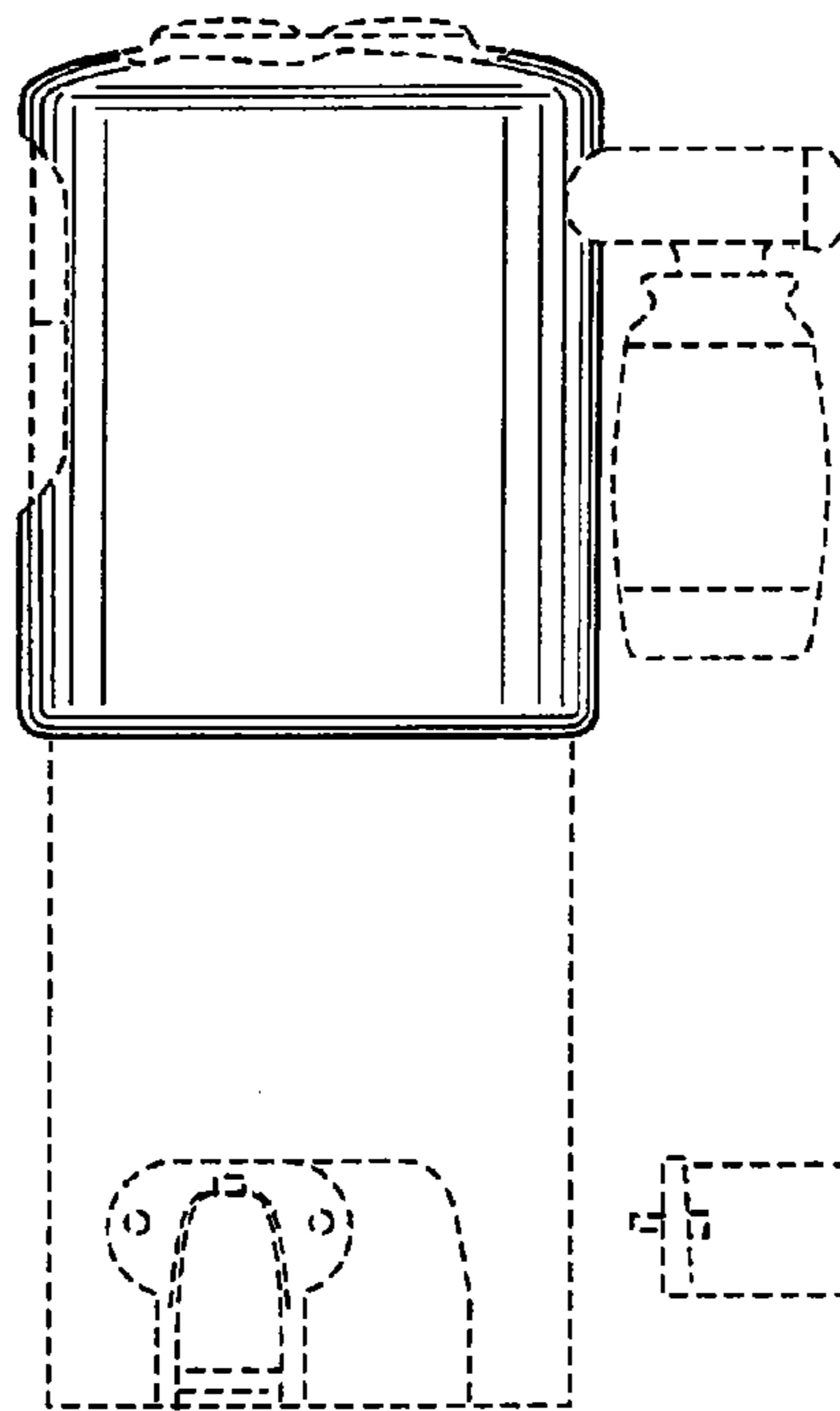


FIG. 5

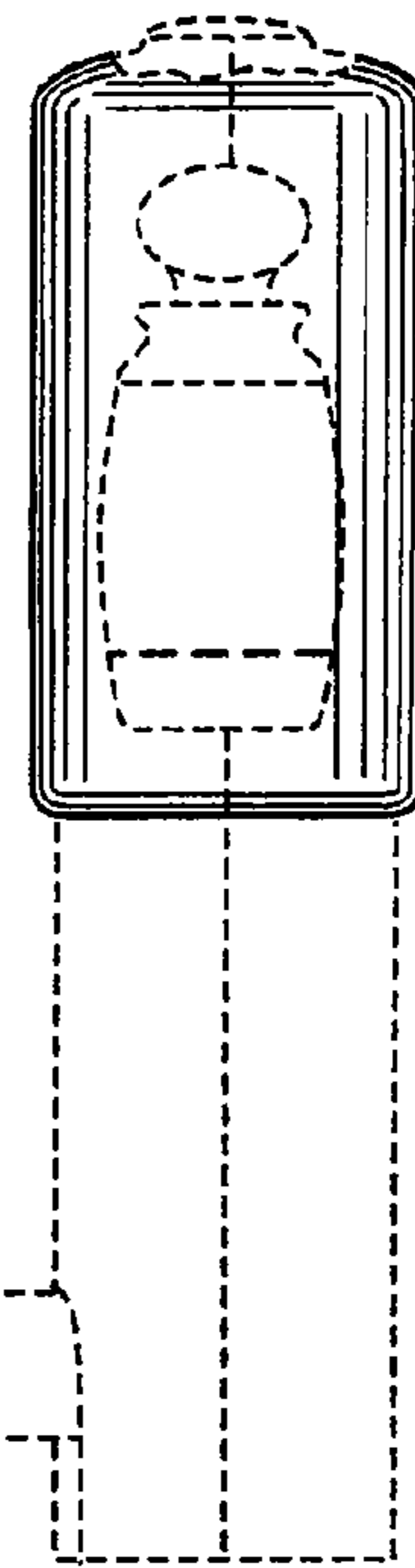


FIG. 6