



US00D607106S

(12) **United States Design Patent**
Chen

(10) **Patent No.:** **US D607,106 S**

(45) **Date of Patent:** **** Dec. 29, 2009**

(54) **INFANT RADIANT WARMER**

(76) **Inventor:** **Zaihong Chen**, 158 Daqing Road, Shipu Town, Xiangshan, Zhejiang (CN)

(**) **Term:** **14 Years**

(21) **Appl. No.:** **29/306,856**

(22) **Filed:** **Apr. 17, 2008**

(51) **LOC (9) Cl.** **24-01**

(52) **U.S. Cl.** **D24/163**

(58) **Field of Classification Search** D24/163,
D24/164, 201-207; D19/60; 600/21, 22;
128/205.26, 205.29

See application file for complete search history.

(56) **References Cited**

U.S. PATENT DOCUMENTS

D182,394	S	*	4/1958	Adolphson	D24/163
3,158,150	A	*	11/1964	Croasdaile	600/22
D236,165	S	*	7/1975	Beld et al.	D24/163
D240,768	S	*	7/1976	Beld et al.	D24/163
4,321,913	A	*	3/1982	Maluta et al.	D24/163
D567,948	S	*	4/2008	Tierney et al.	D24/163

* cited by examiner

Primary Examiner—T. Chase Nelson

Assistant Examiner—Anhdao Doan

(74) *Attorney, Agent, or Firm*—Global IP Services; Tianhua Gu

(57) **CLAIM**

The ornamental design for an infant radiant warmer, as shown and described.

DESCRIPTION

The patent or application filed contains at least one drawing executed in color. Copies of this patent or patent application publication with color drawing(s) will be provided by the Office upon request and payment of the necessary fee.

FIG. 1 is a front perspective view of an infant radiant warmer showing my new design;

FIG. 2 is a front view thereof;

FIG. 3 is a back view thereof;

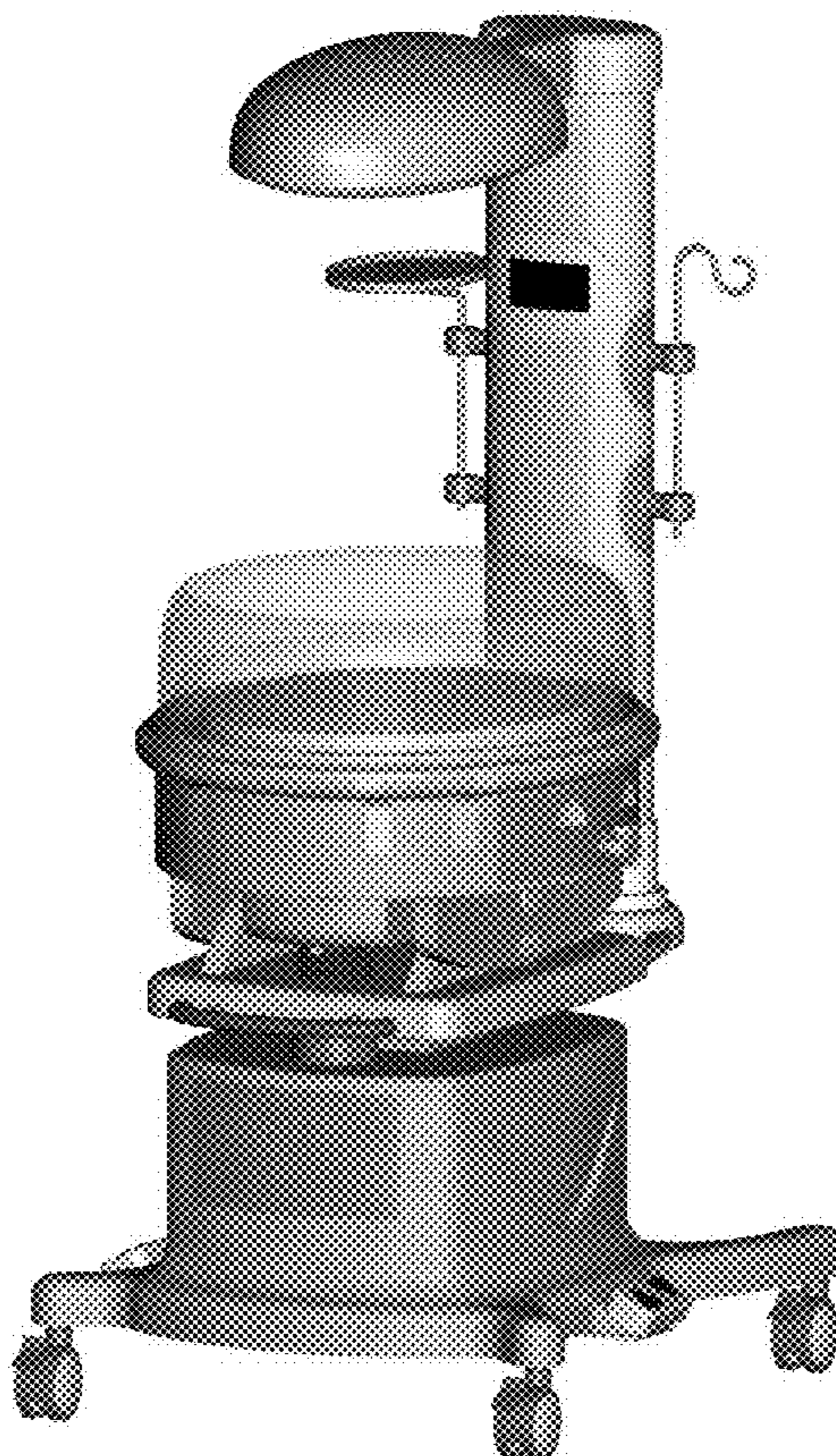
FIG. 4 is a left side view thereof;

FIG. 5 is a right side view thereof;

FIG. 6 is a top view thereof; and,

FIG. 7 is a bottom view thereof.

1 Claim, 6 Drawing Sheets
(6 of 6 Drawing Sheet(s) Filed in Color)



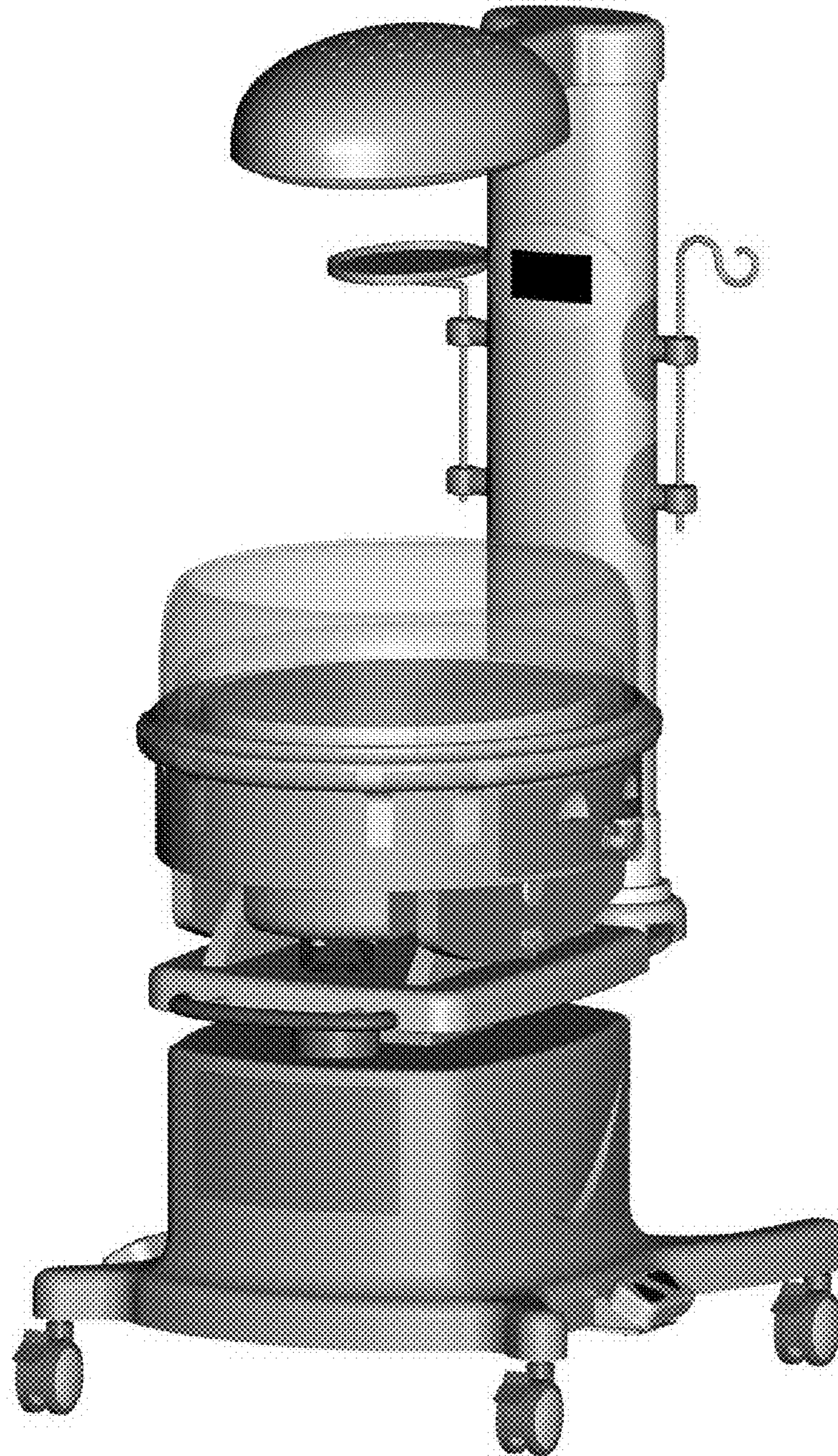


Fig. 1

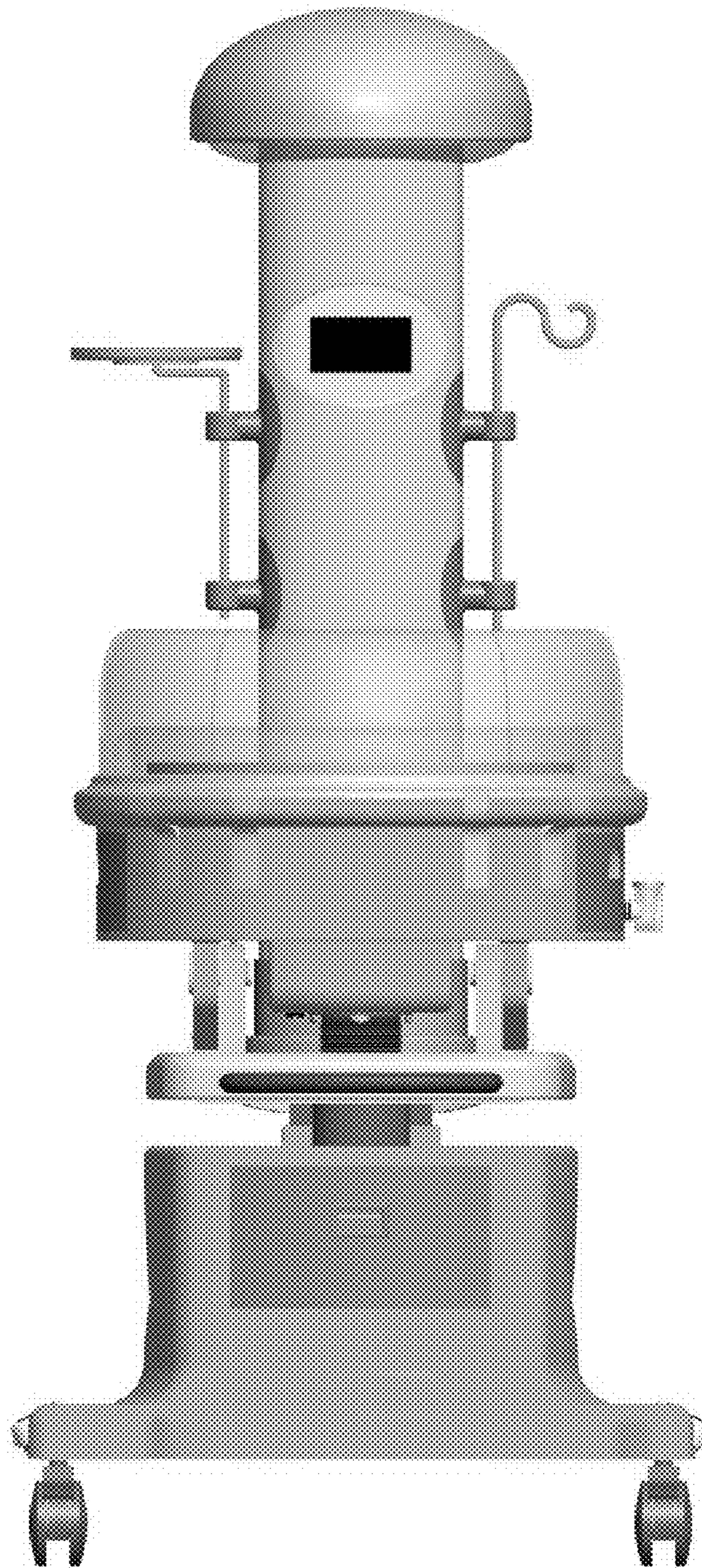


Fig. 2

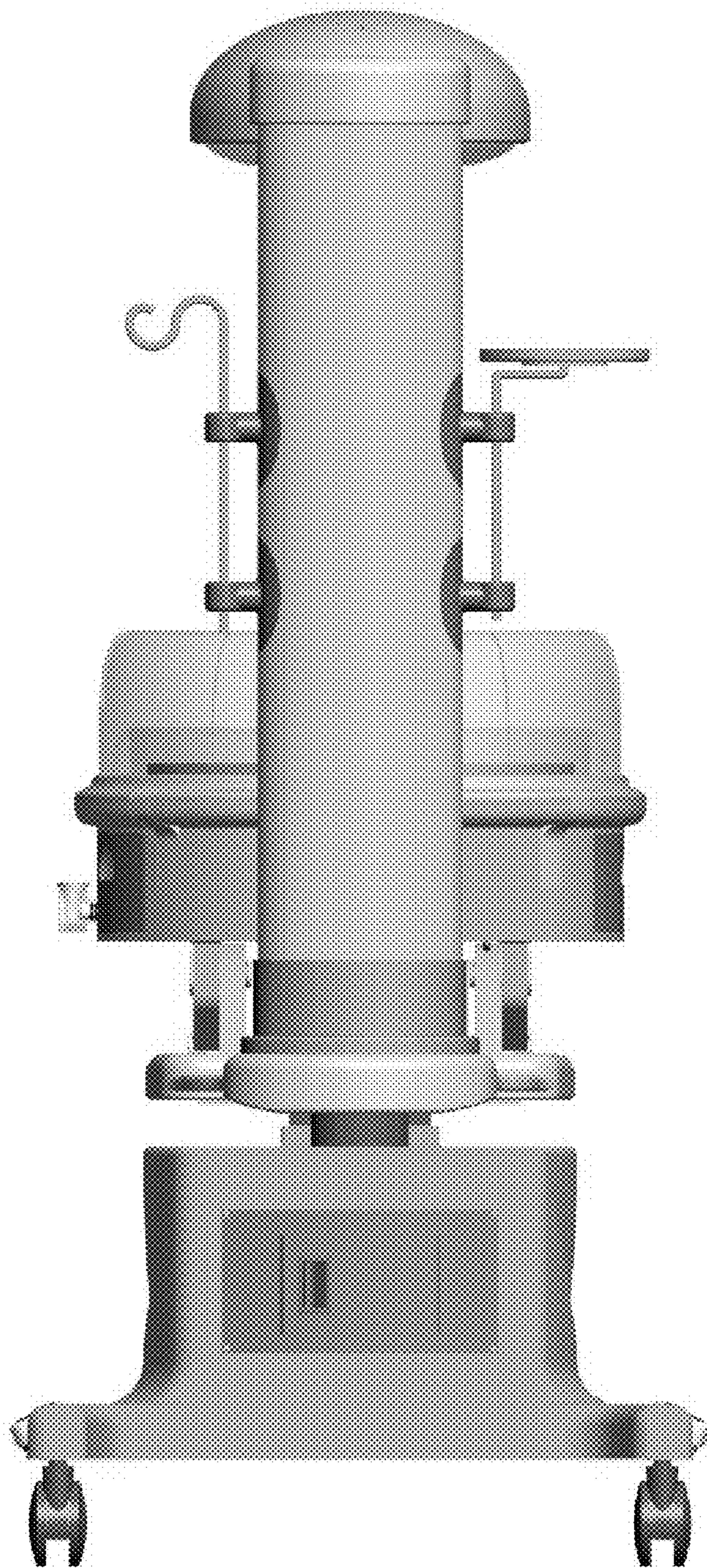


Fig. 3

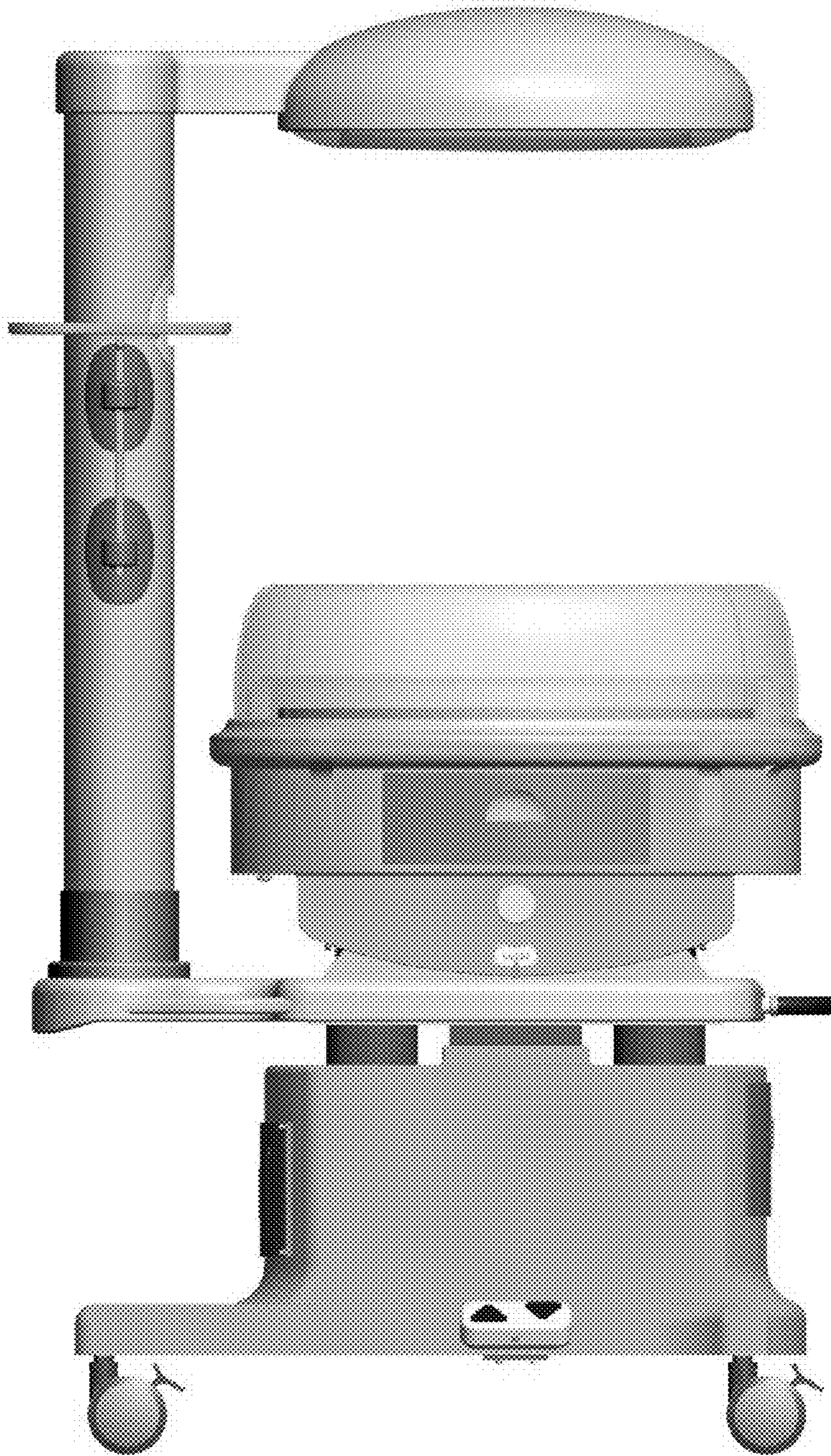


Fig. 4



Fig. 5

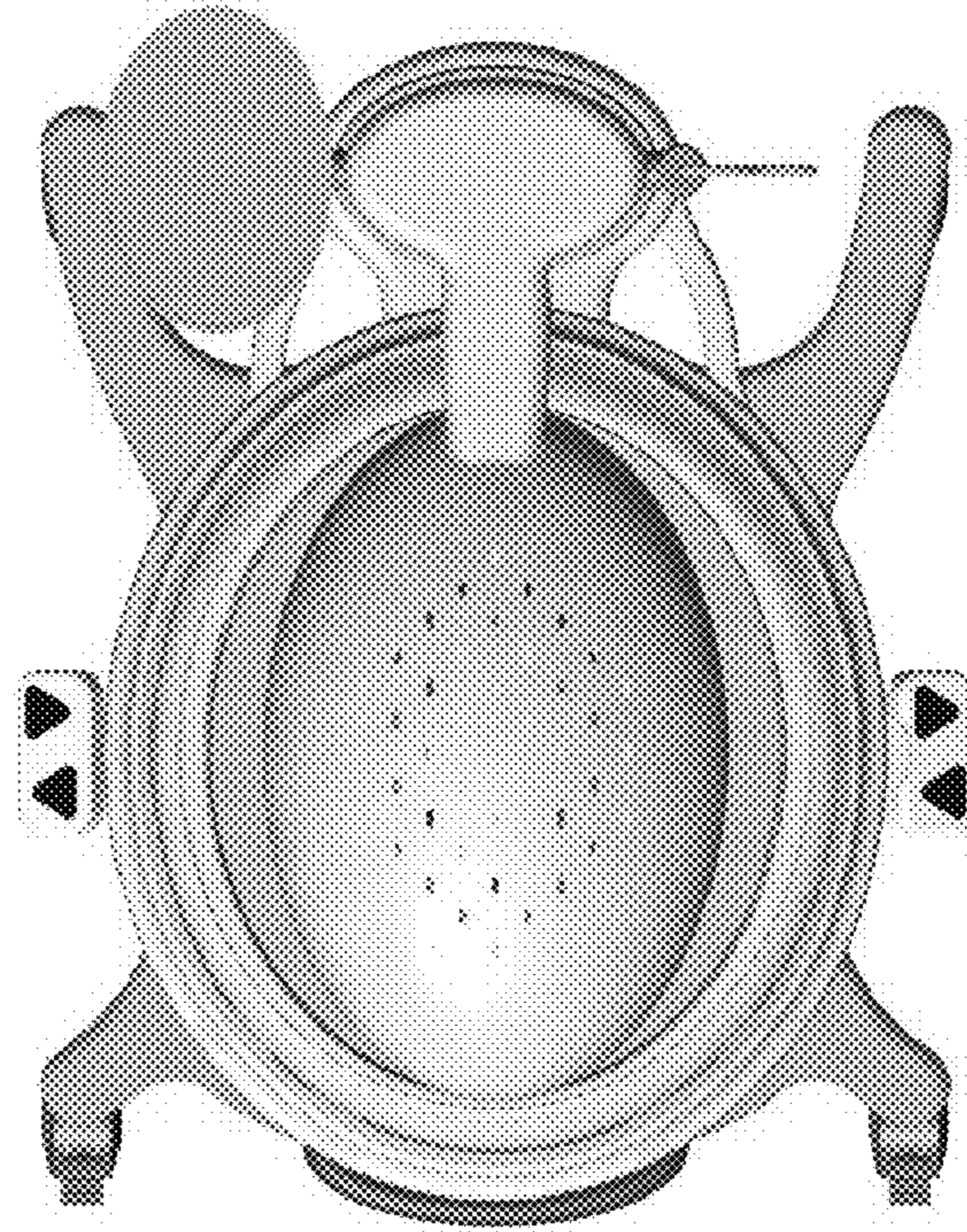


Fig. 6

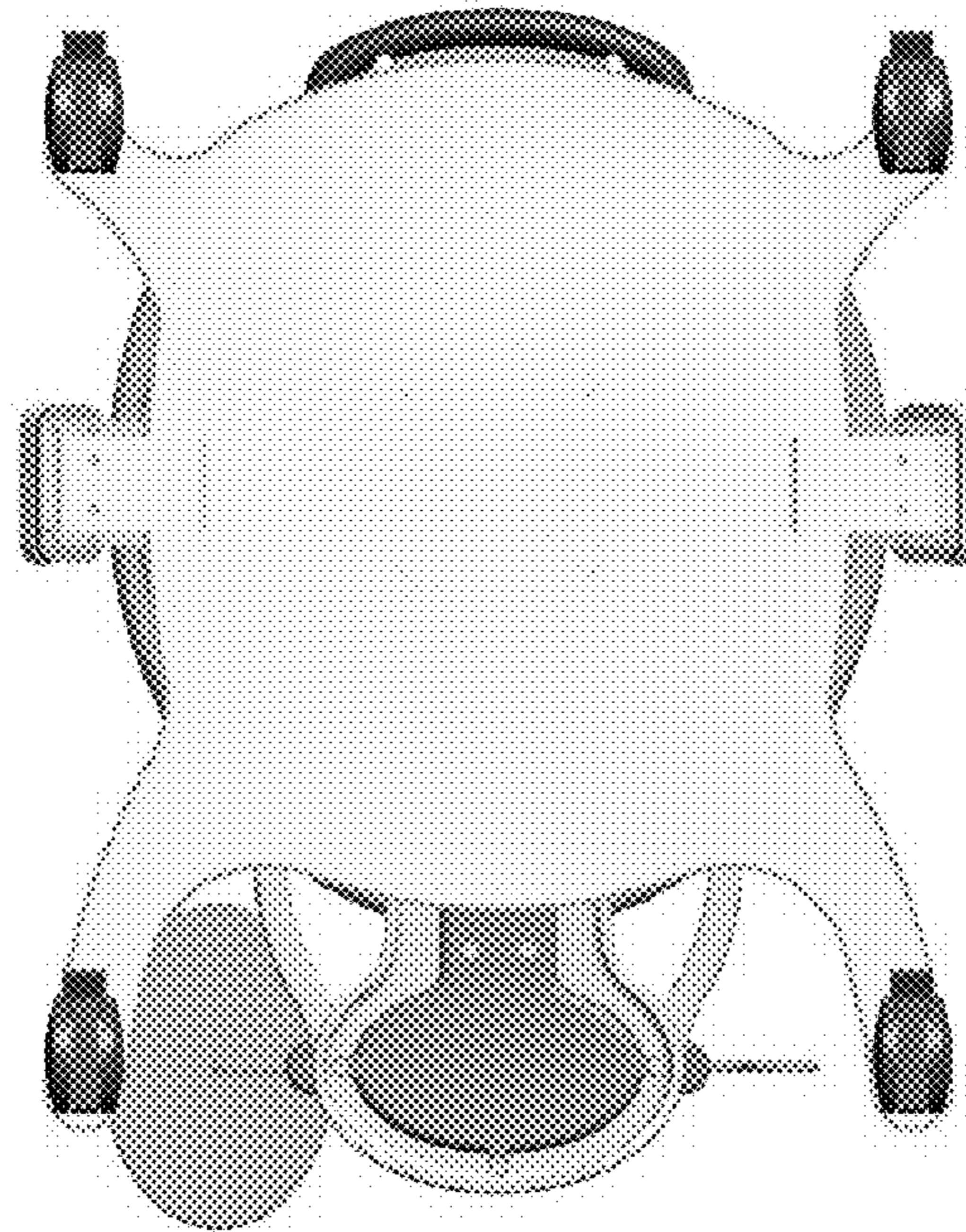


Fig. 7