



US00D607105S

(12) **United States Design Patent**
Otoha et al.

(10) **Patent No.:** **US D607,105 S**
(45) **Date of Patent:** **** Dec. 29, 2009**

(54) **MEASURING APPARATUS FOR
ULTRASONIC DIAGNOSIS APPARATUS**

JP D1034302 3/1999
JP D1126195 11/2001
JP D1283739 10/2006
JP D1284810 10/2006

(75) Inventors: **Shigeru Otoha**, Tokyo (JP); **Atsunobu
Banryu**, Funabashi (JP)

* cited by examiner

(73) Assignees: **Kabushiki Kaisha Toshiba** (JP);
Toshiba Medical Systems Corporation
(JP)

Primary Examiner—Antoine D Davis
(74) *Attorney, Agent, or Firm*—Banner & Witcoff, Ltd.

(**) Term: **14 Years**

(21) Appl. No.: **29/334,707**

(22) Filed: **Mar. 31, 2009**

(30) **Foreign Application Priority Data**

Nov. 28, 2008 (JP) 2008-030510

(51) **LOC (9) Cl.** **24-01**

(52) **U.S. Cl.** **D24/158; D10/46; D10/81**

(58) **Field of Classification Search** D10/46,
D10/81; D14/315-319; D24/158, 160; 128/915,
128/916; 600/437-467

See application file for complete search history.

(56) **References Cited**

U.S. PATENT DOCUMENTS

6,491,630 B1 * 12/2002 Saccardo et al. 600/437
6,695,777 B2 * 2/2004 Solomon et al. 600/437
2008/0125655 A1 * 5/2008 Song et al. 600/443
2008/0249406 A1 * 10/2008 Naruse 600/437
2008/0255455 A1 * 10/2008 Sokulin et al. 600/459
2009/0088645 A1 * 4/2009 Shin et al. 600/459
2009/0198132 A1 * 8/2009 Pelissier et al. 600/443

FOREIGN PATENT DOCUMENTS

CN 3600833D 1/2007

(57) **CLAIM**

The ornamental design for a measuring apparatus for ultra-
sonic diagnosis apparatus, as shown and described.

DESCRIPTION

FIG. 1 is a front, top and right side perspective view of a
measuring apparatus for ultrasonic diagnosis apparatus,
showing our new design;

FIG. 2 is a front, top and right side perspective view thereof in
a closed state;

FIG. 3 is a perspective view thereof with a display in a turned
state;

FIG. 4 is a perspective view thereof with the display in a
turned upward state;

FIG. 5 is a front elevational view thereof;

FIG. 6 is a rear elevational view thereof;

FIG. 7 is a top plan view thereof;

FIG. 8 is a bottom plan view thereof;

FIG. 9 is a right side elevational view thereof;

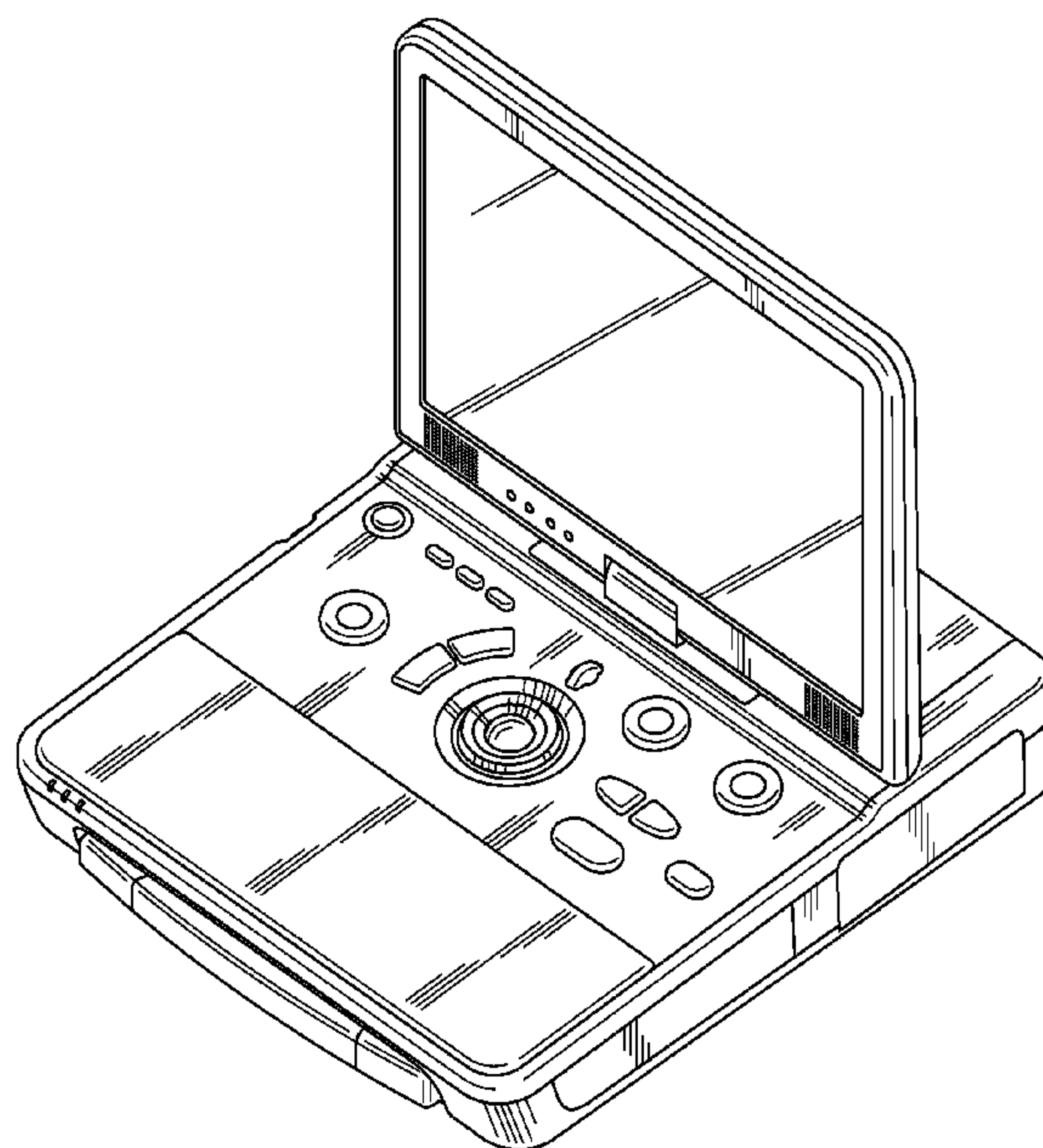
FIG. 10 is a left side elevational view thereof;

FIG. 11 is a front elevational view thereof in a closed state;

FIG. 12 is a top plan view thereof in a closed state; and,

FIG. 13 is a left side elevational view thereof in a closed state.

1 Claim, 9 Drawing Sheets



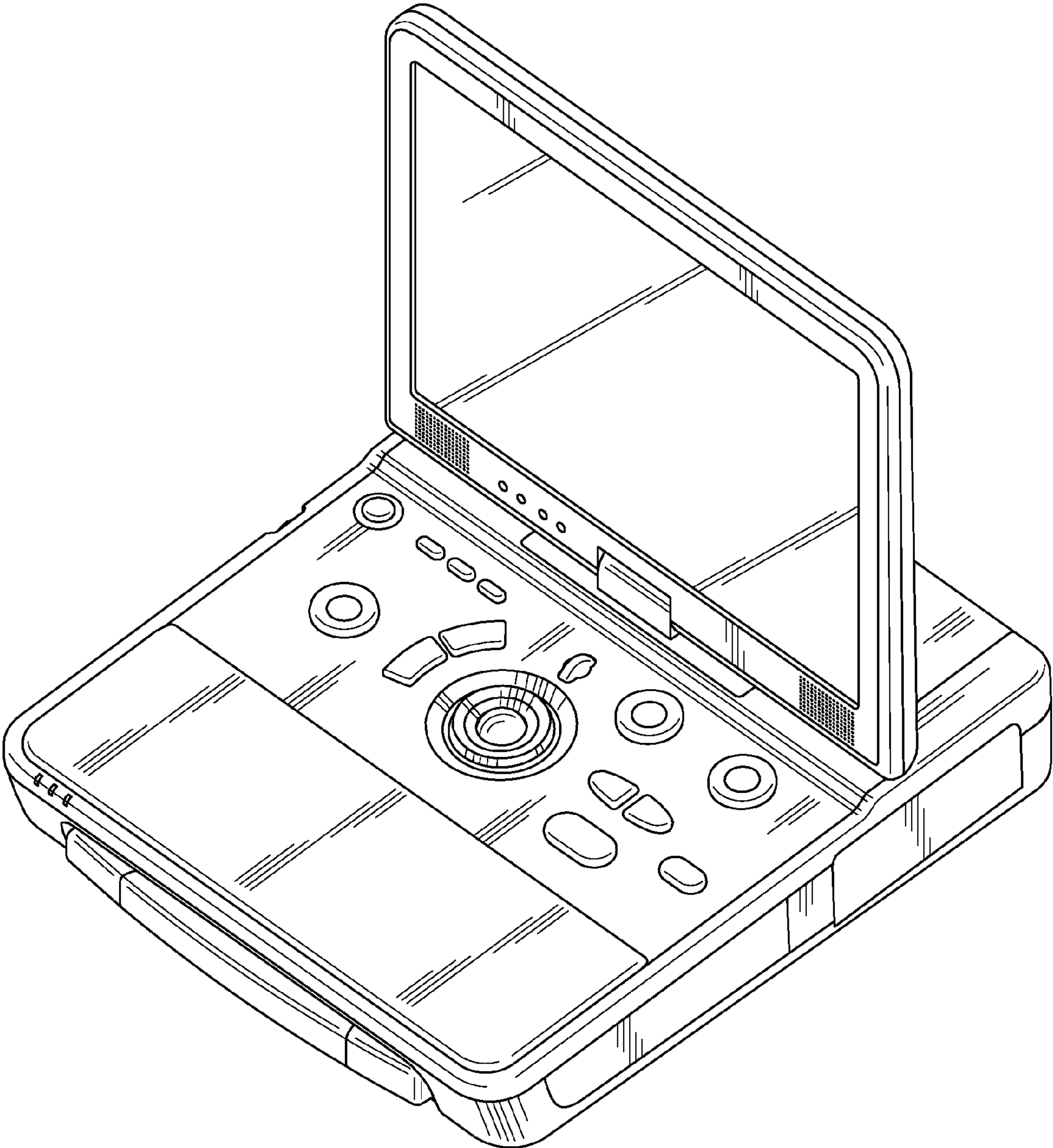


FIG.1

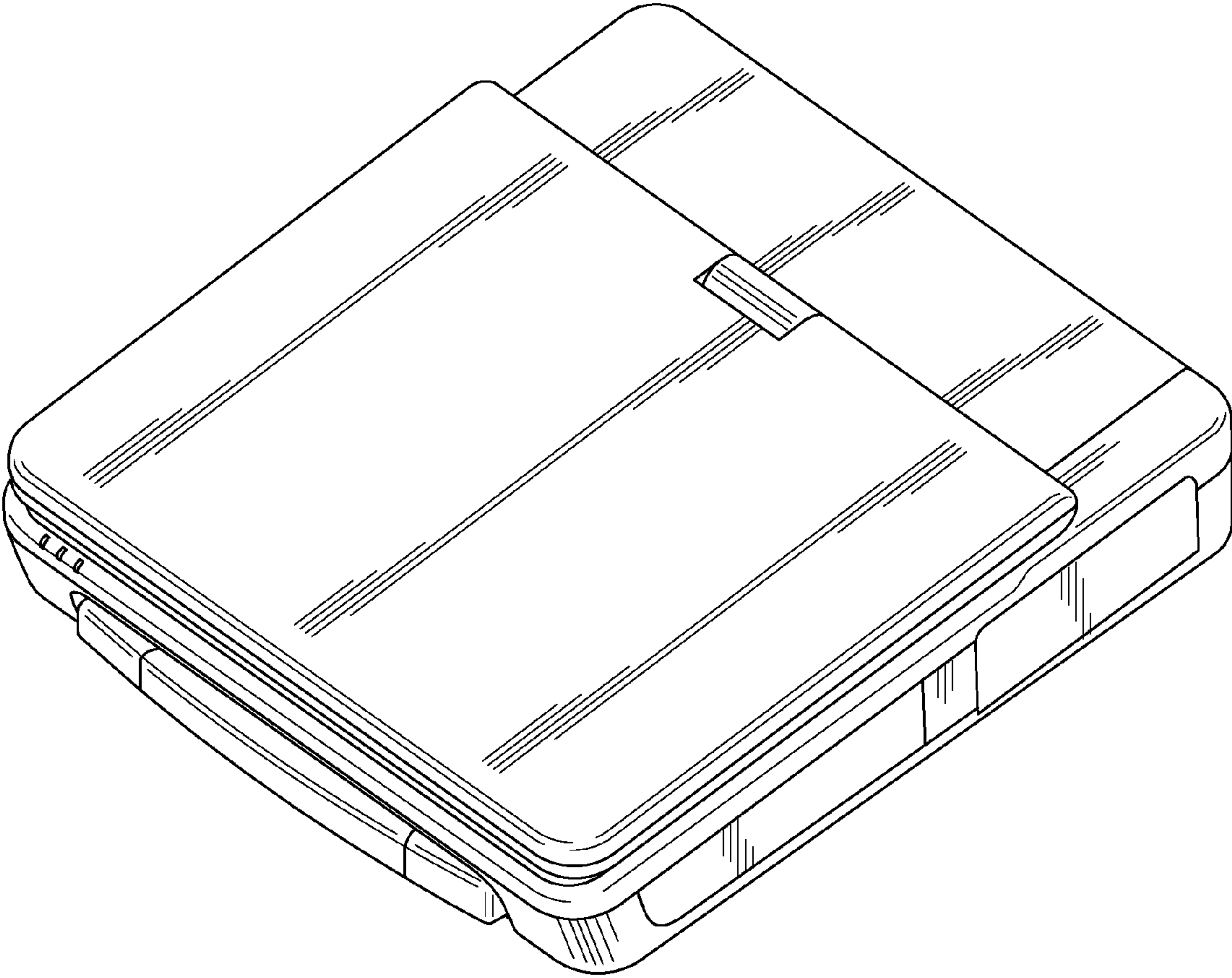


FIG.2

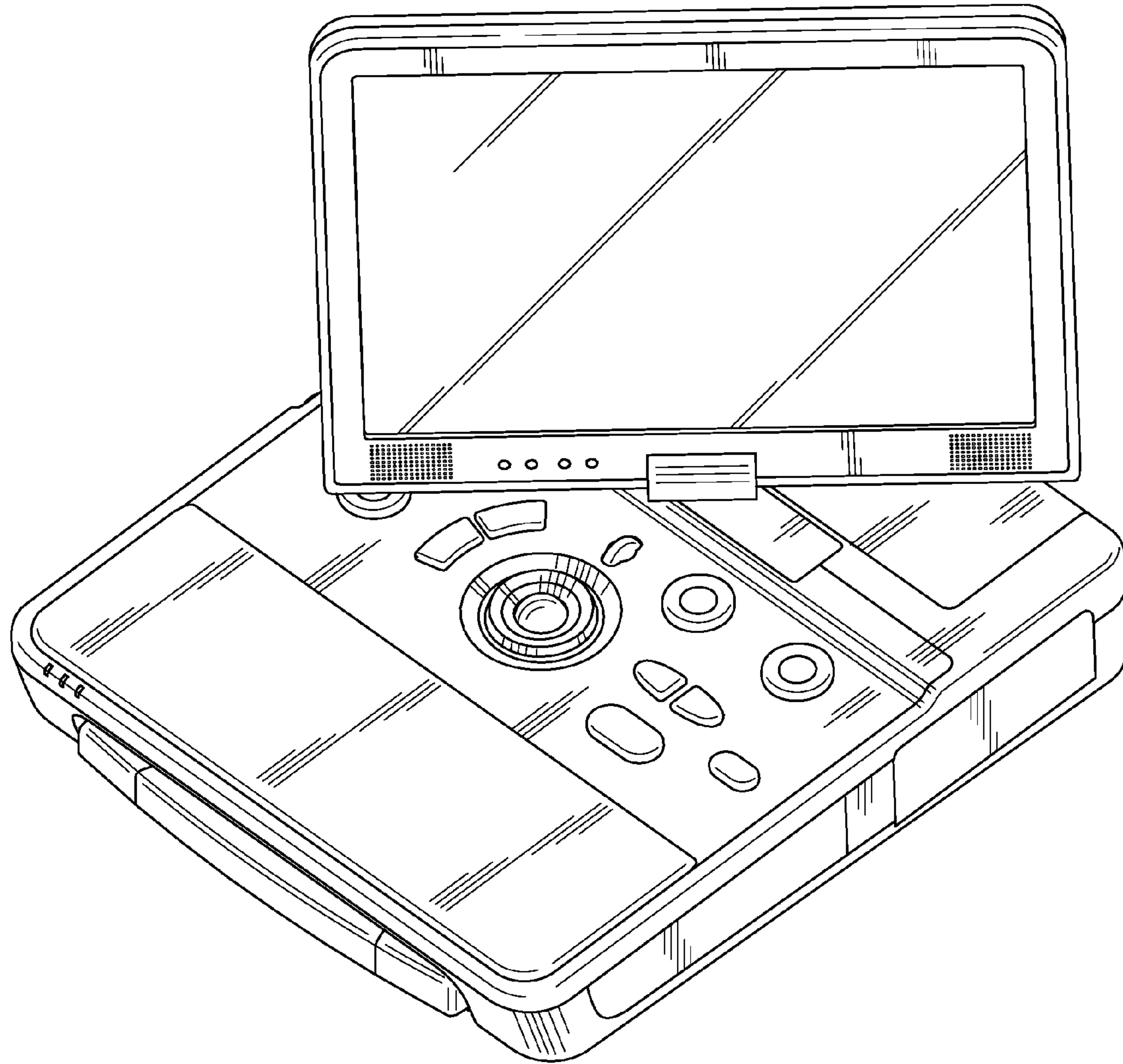


FIG.3

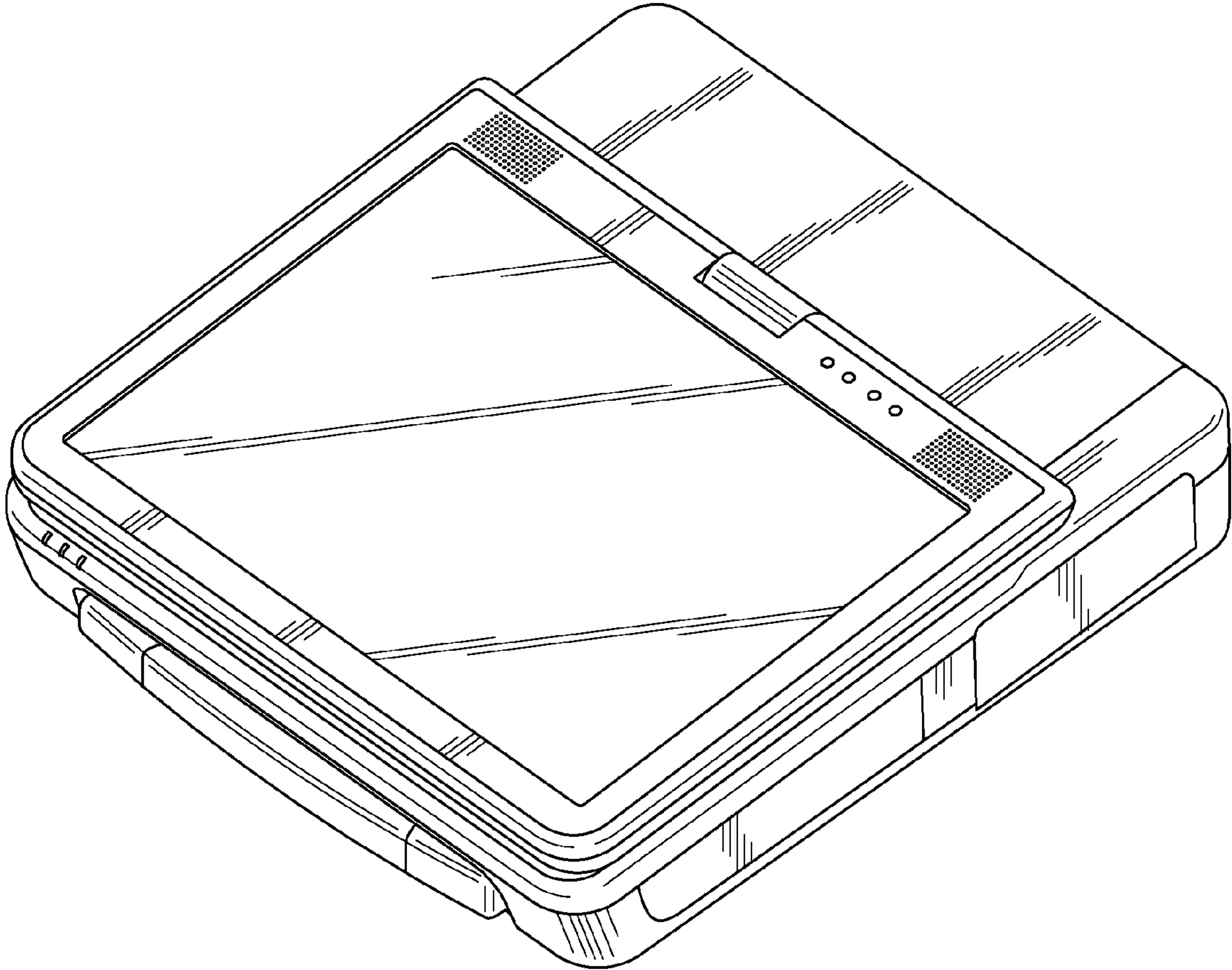


FIG.4

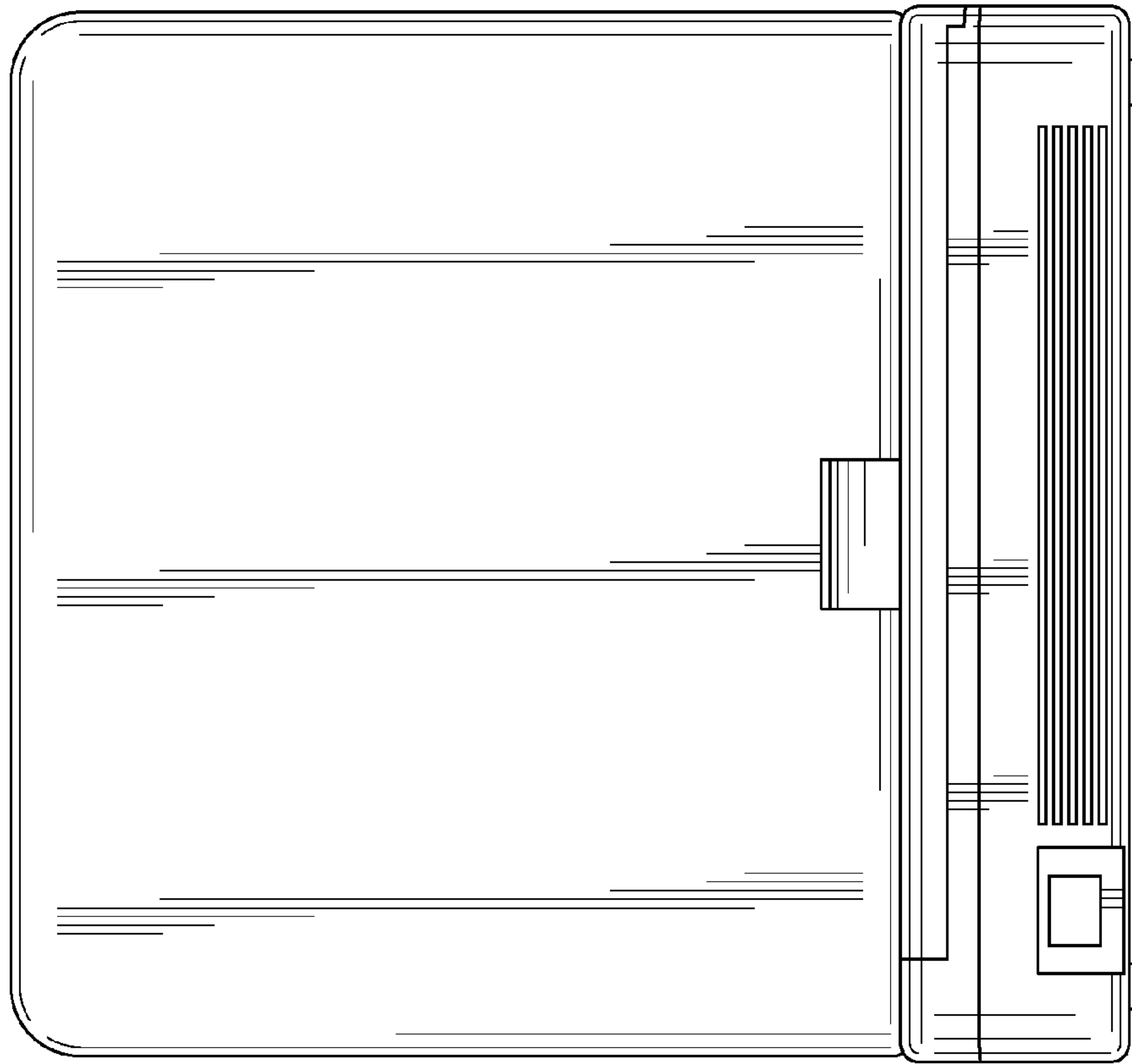


FIG.6

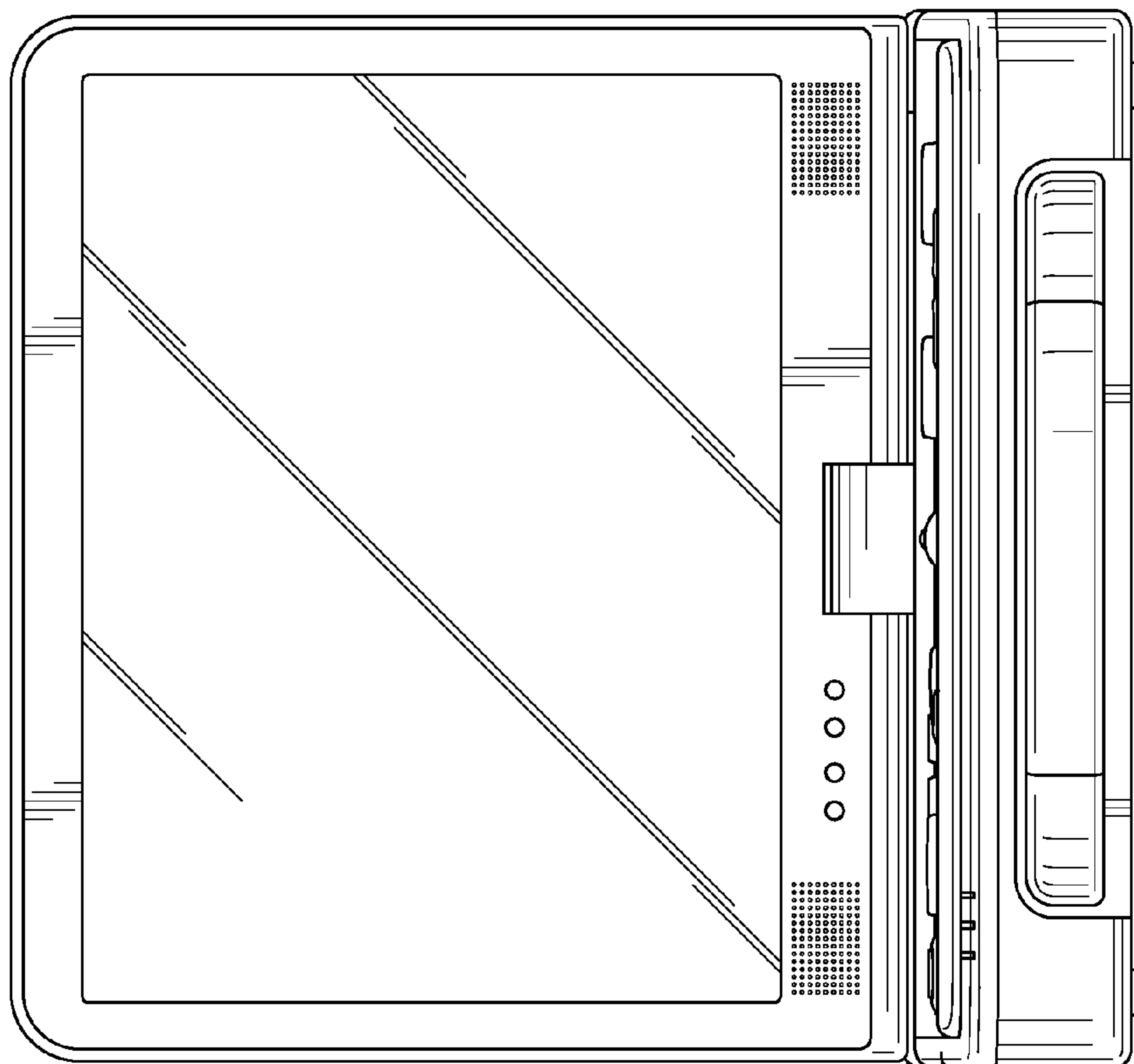


FIG.5

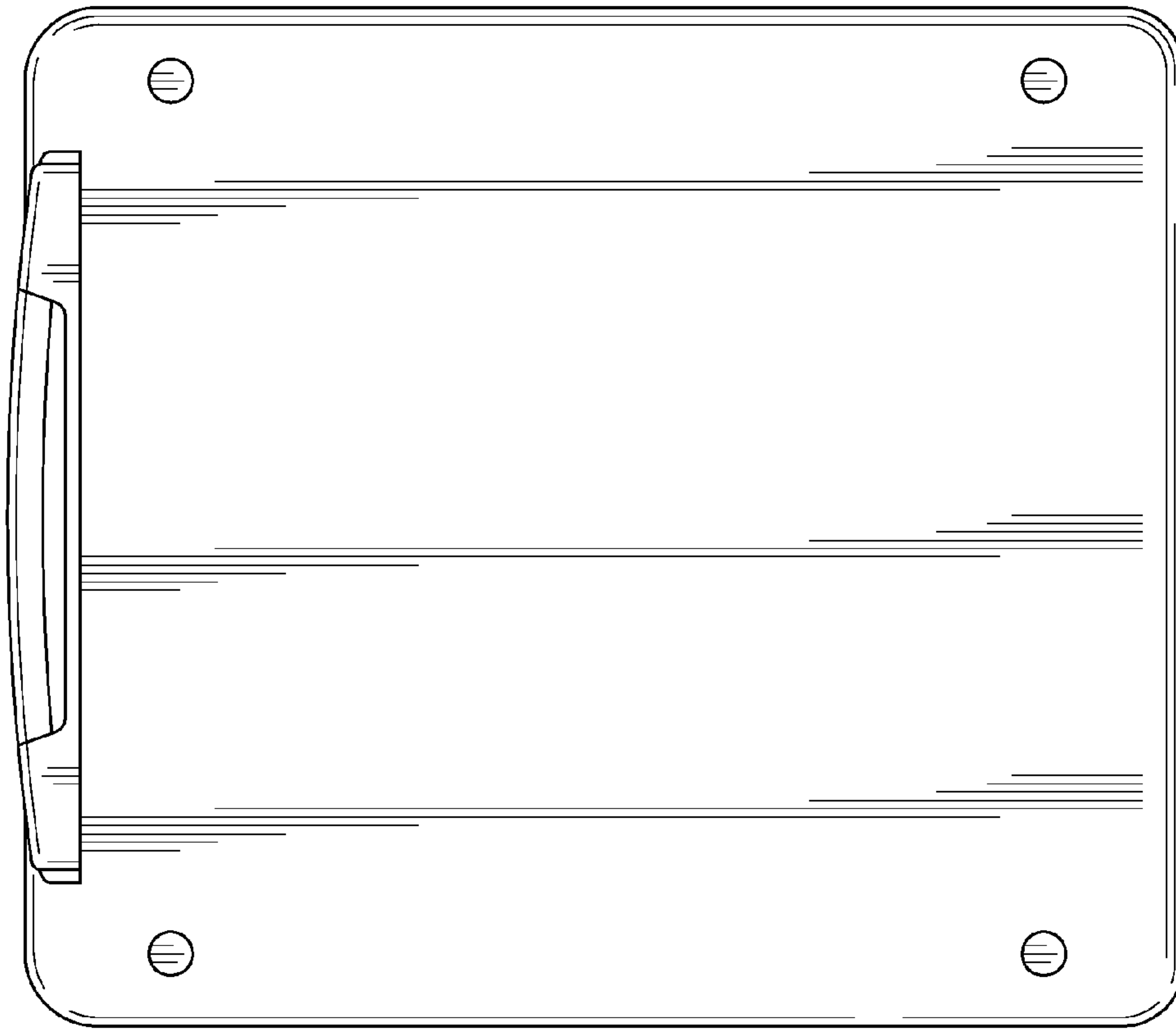


FIG. 8

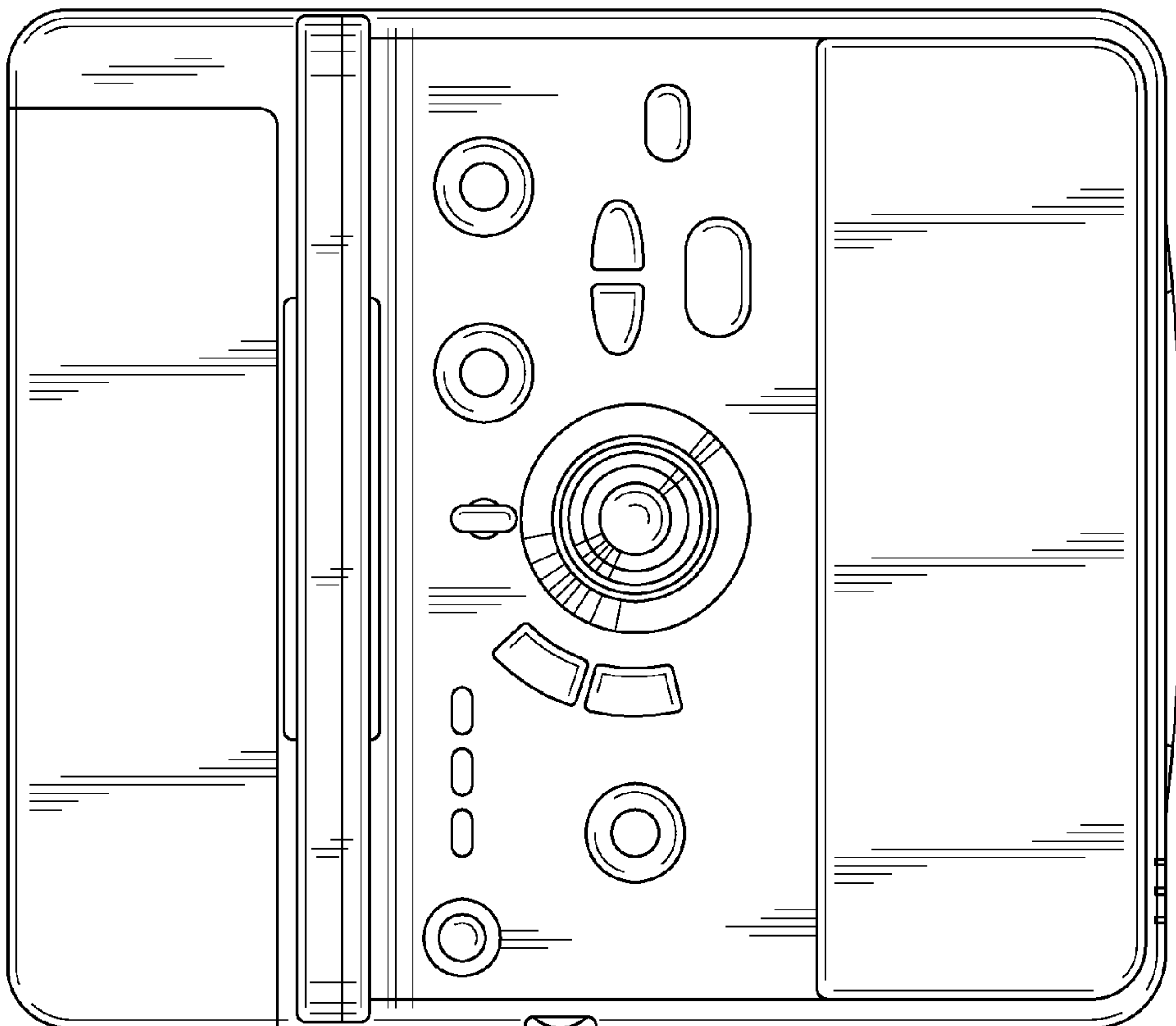


FIG. 7

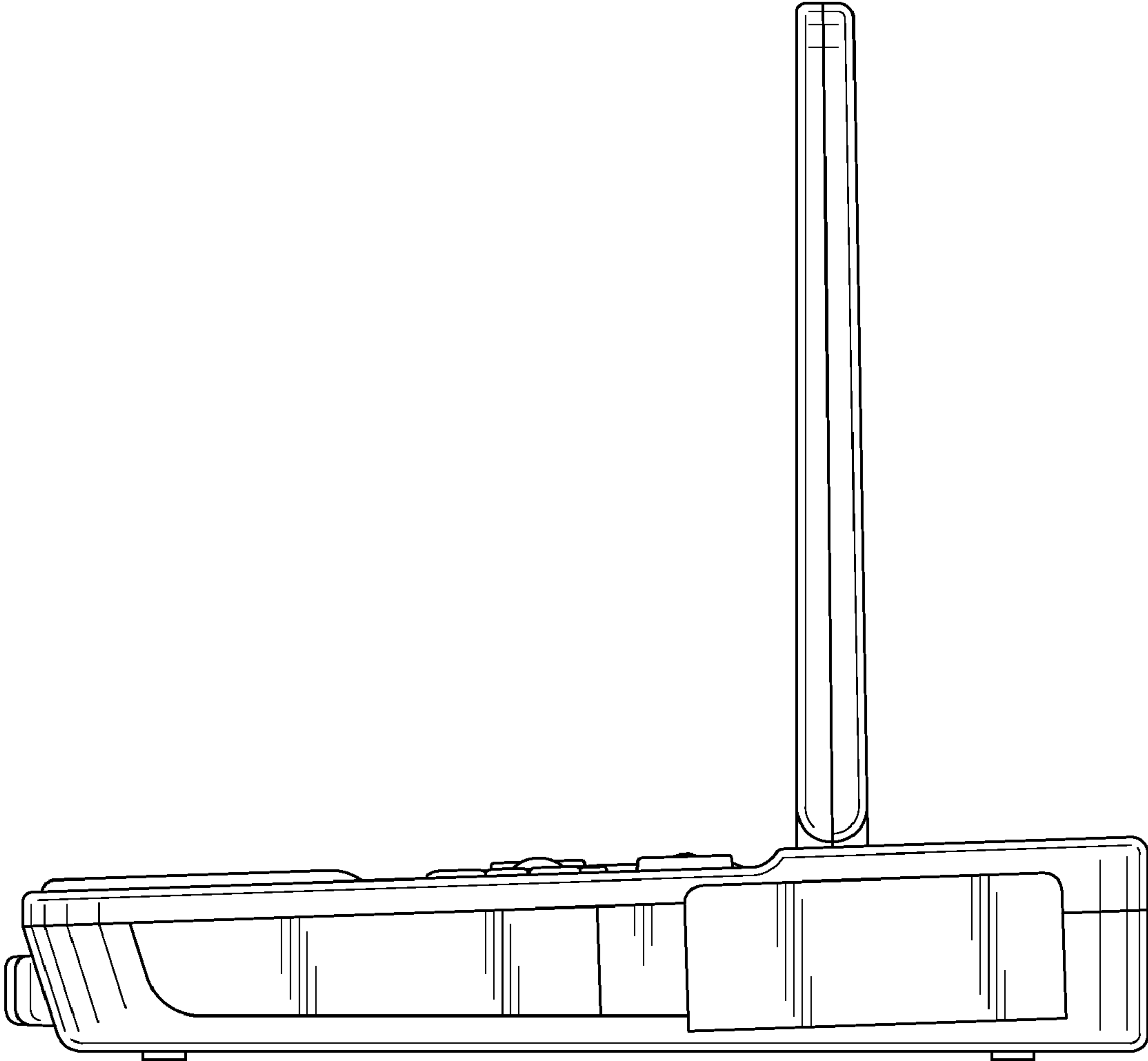


FIG.9

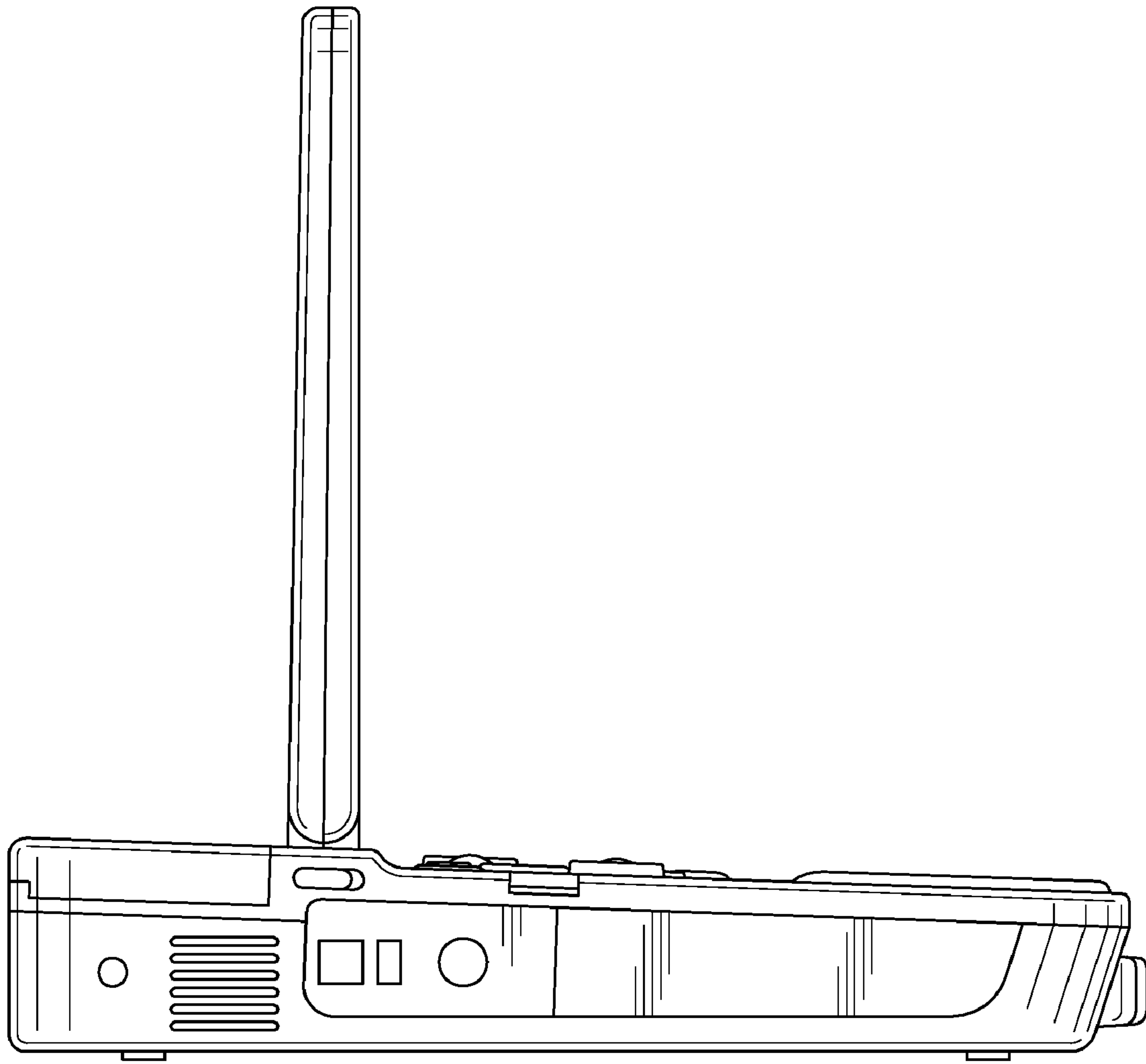


FIG.10

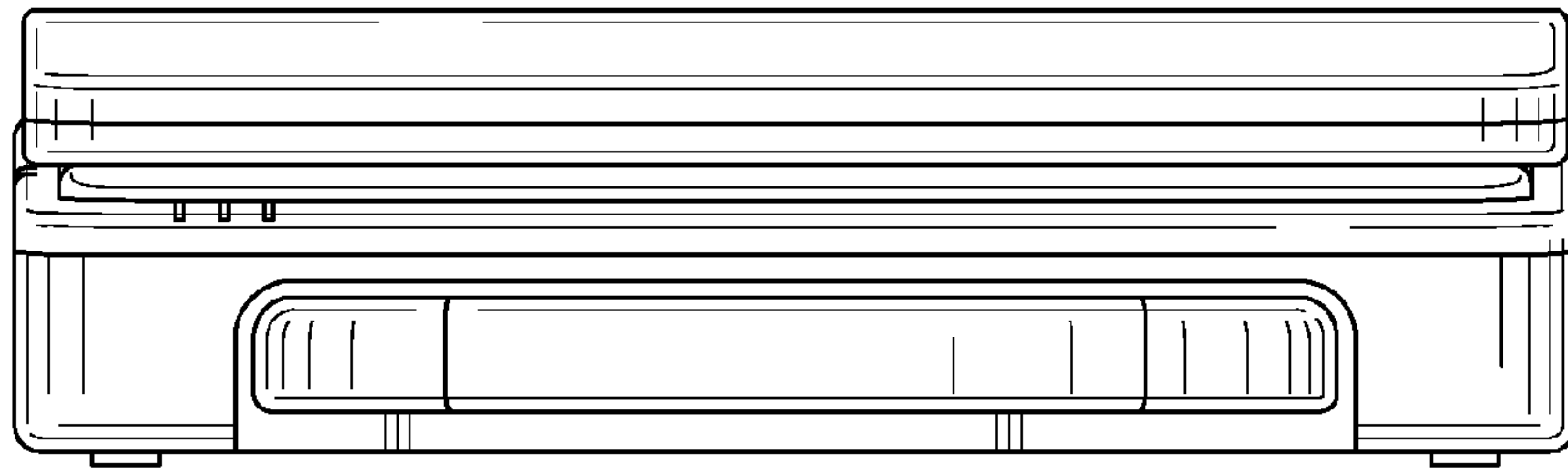


FIG.11

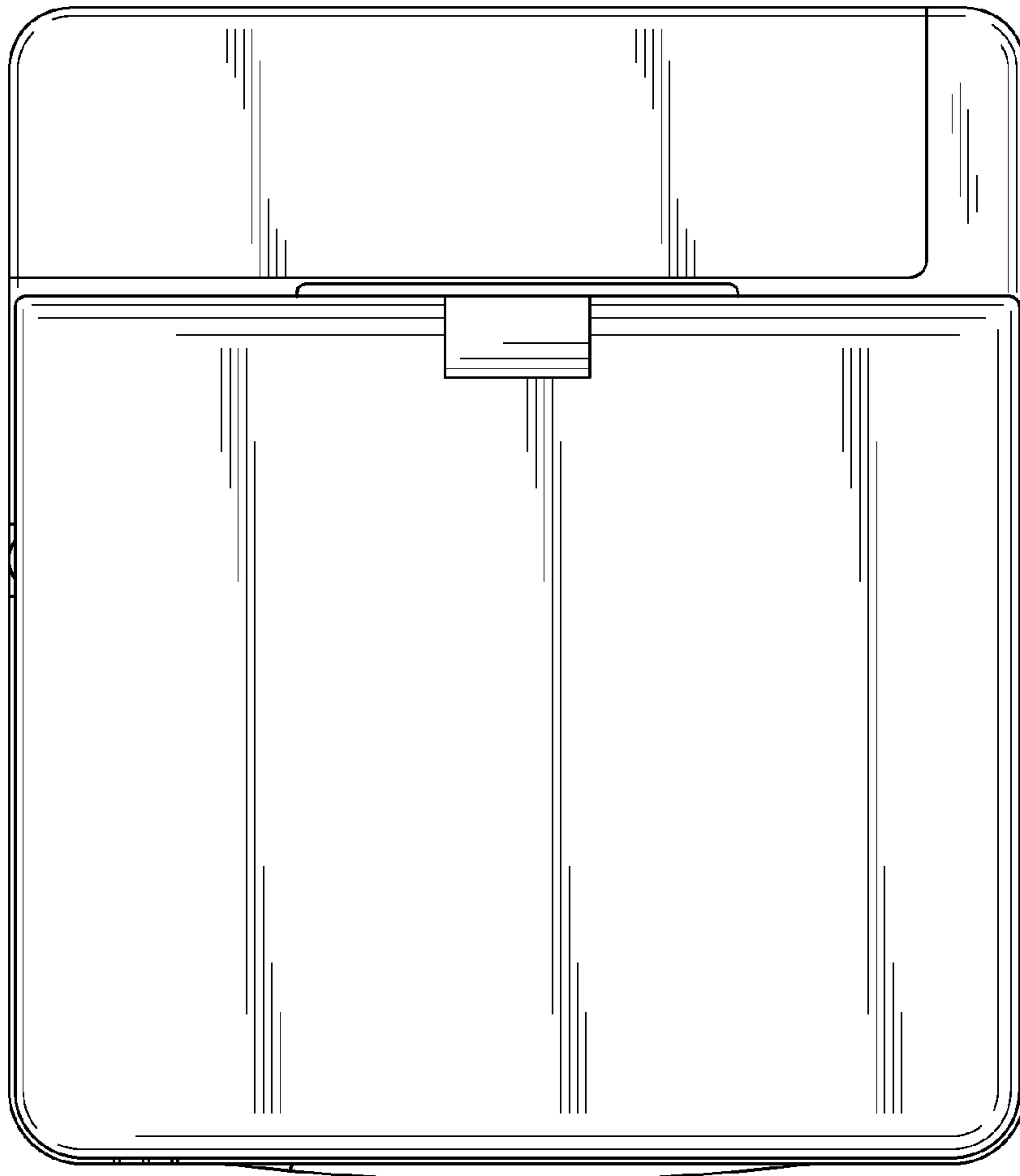


FIG.12

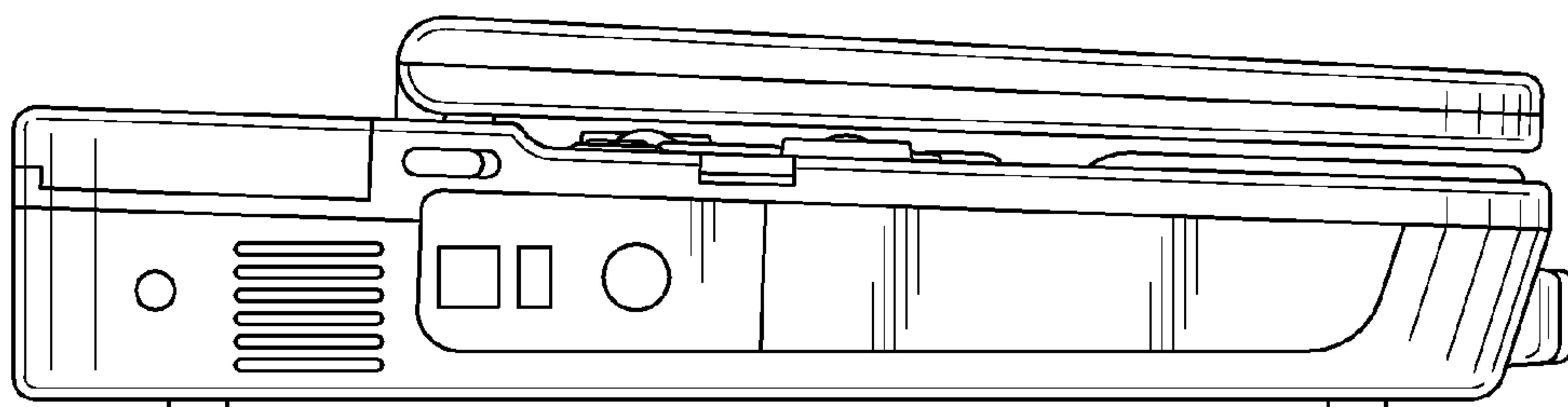


FIG.13