



US00D607104S

(12) **United States Design Patent**
Hull, Jr.

(10) **Patent No.:** **US D607,104 S**

(45) **Date of Patent:** **** Dec. 29, 2009**

(54) **PERSONAL CARE DEVICE**

(75) Inventor: **Raymond J. Hull, Jr.**, Hampton, NJ
(US)

(73) Assignee: **J&J Consumer Companies, Inc.**,
Skillman, NJ (US)

(**) Term: **14 Years**

(21) Appl. No.: **29/341,484**

(22) Filed: **Aug. 6, 2009**

Related U.S. Application Data

(63) Continuation of application No. 29/297,074, filed on
Nov. 2, 2007, now Pat. No. Des. 598,102.

(51) **LOC (9) Cl.** **24-01**

(52) **U.S. Cl.** **D24/146; D24/133**

(58) **Field of Classification Search** D24/133,
D24/215, 138, 155, 147, 146; D8/107; 606/131,
606/10, 3, 9, 14; 451/87, 90, 99; 604/290;
607/88, 89, 91; D28/56-59

See application file for complete search history.

(56) **References Cited**

U.S. PATENT DOCUMENTS

D459,029 S * 6/2002 Ishida D28/59
D523,143 S * 6/2006 Anderson et al. D24/147
D544,603 S * 6/2007 David et al. D24/146
D548,339 S * 8/2007 Stonier et al. D24/133
D586,917 S * 2/2009 Durso D24/147
D587,368 S * 2/2009 Lee D24/147

D592,305 S * 5/2009 Cho D24/133
D596,744 S * 7/2009 Hull et al. D24/146
D598,102 S * 8/2009 Hull, Jr. D24/146
D598,549 S * 8/2009 Cantu et al. D24/146

* cited by examiner

Primary Examiner—Ian Simmons

Assistant Examiner—Anna J Burmeister

(74) *Attorney, Agent, or Firm*—Karen G. Horowitz

(57) **CLAIM**

I claim the ornamental design for a personal care device, as
shown and described.

DESCRIPTION

FIG. 1 is a top, front, and left perspective view of a personal
care device showing my new design;

FIG. 2 is a left side elevational view thereof;

FIG. 3 is a front elevational view thereof;

FIG. 4 is a bottom plan view thereof;

FIG. 5 is a top plan view thereof;

FIG. 6 is a right side elevational view thereof; and,

FIG. 7 is back elevational view thereof.

The dot-dash lines in the drawings illustrate portions of the
device that do not form a part of the claimed design. The
dashed lines in the drawings delineate the boundaries of the
claimed subject matter, taken along clear changes in contour
of the originally claimed design, wherein the claimed subject
matter includes shading and the unclaimed subject matter
does not include shading.

1 Claim, 4 Drawing Sheets

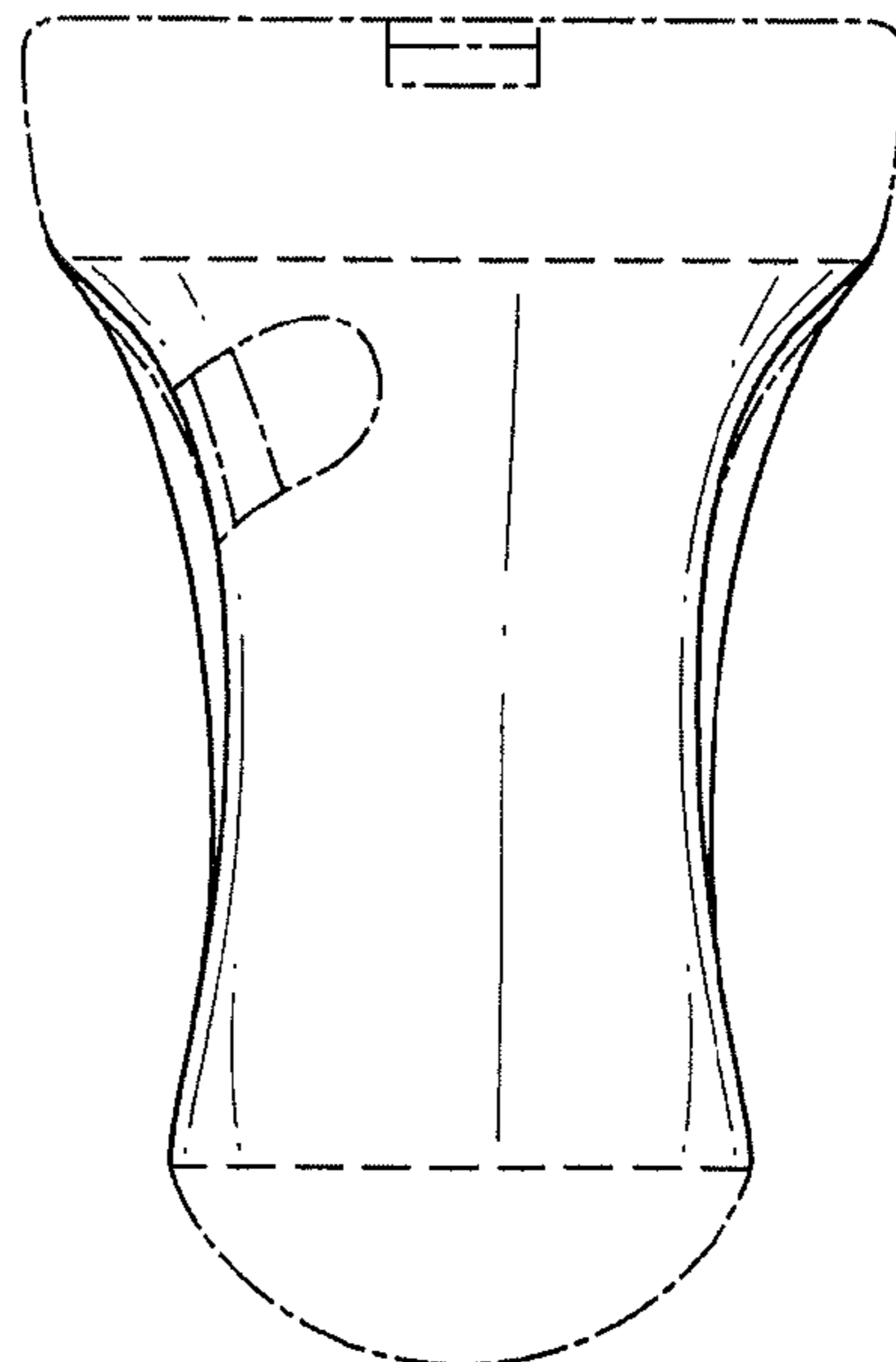
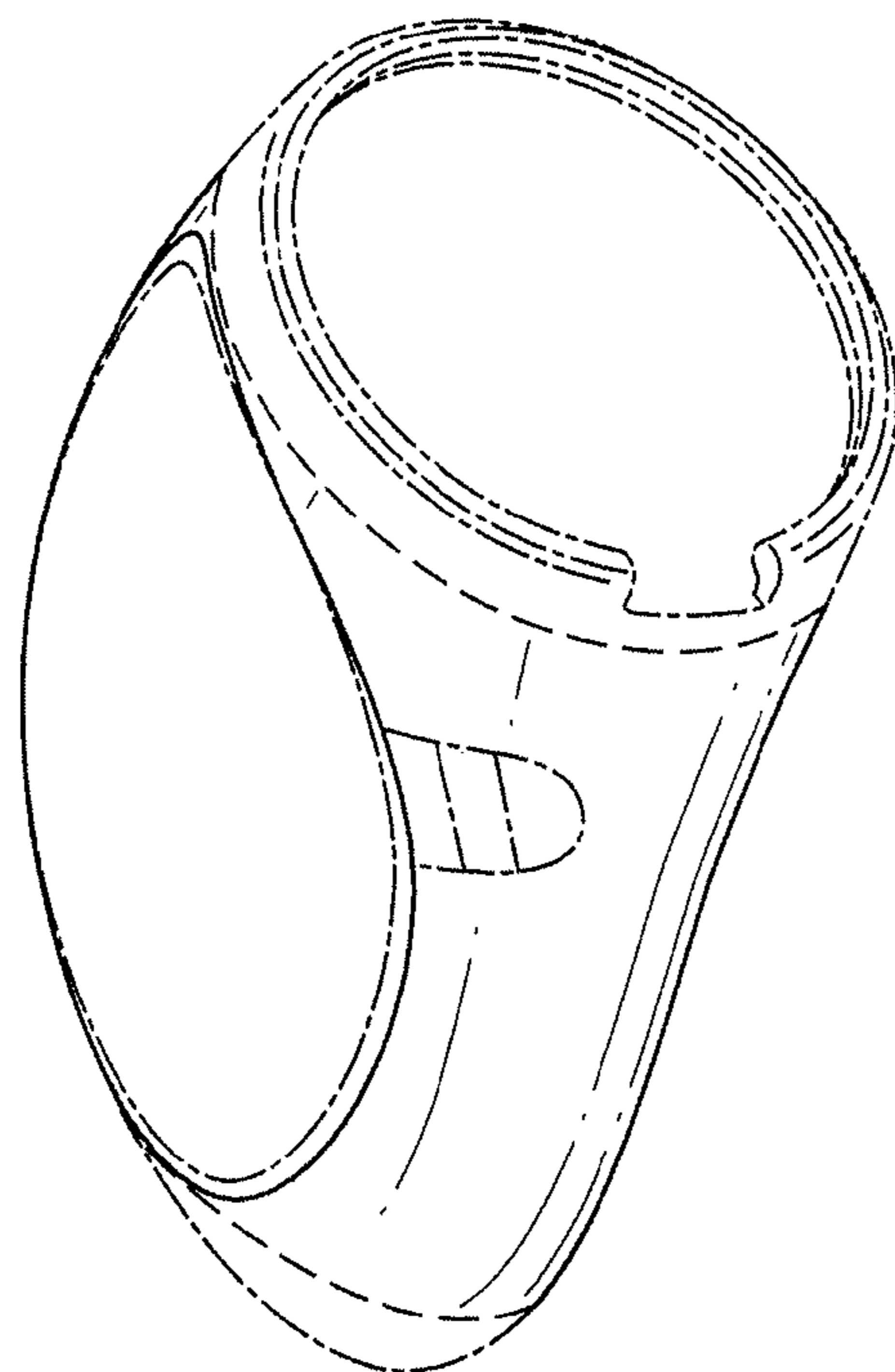


FIG. 1

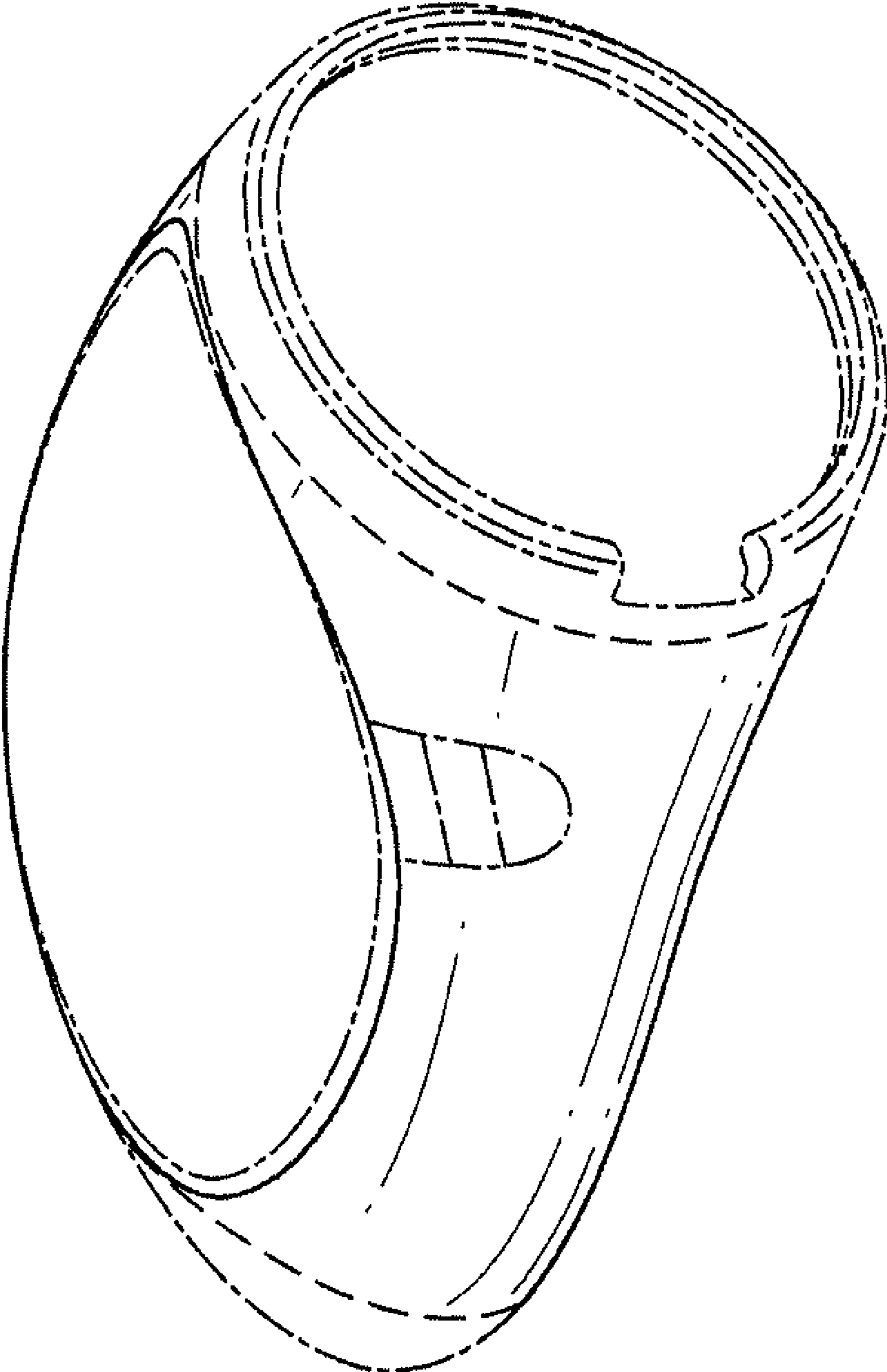


FIG. 2

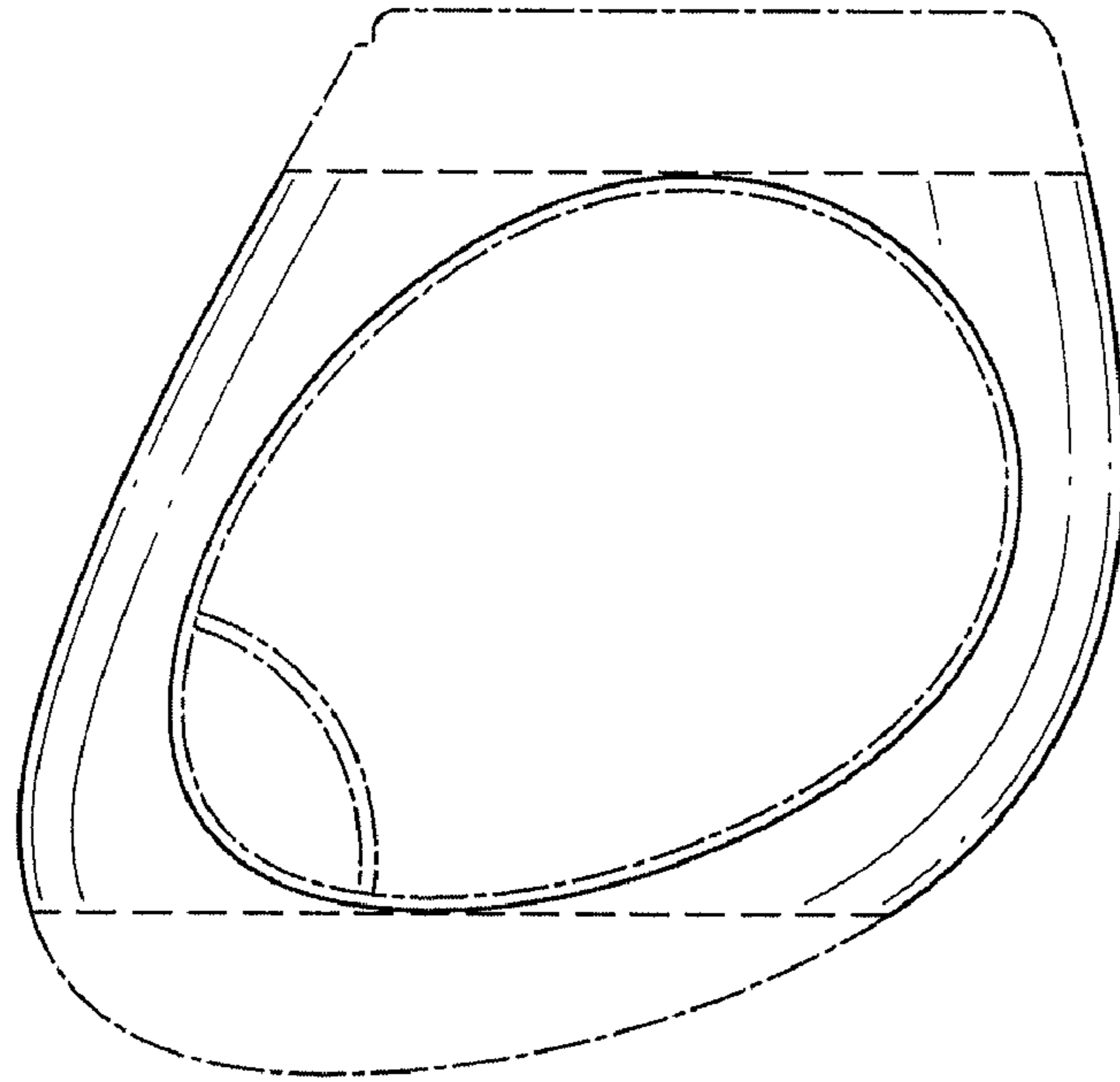


FIG. 3

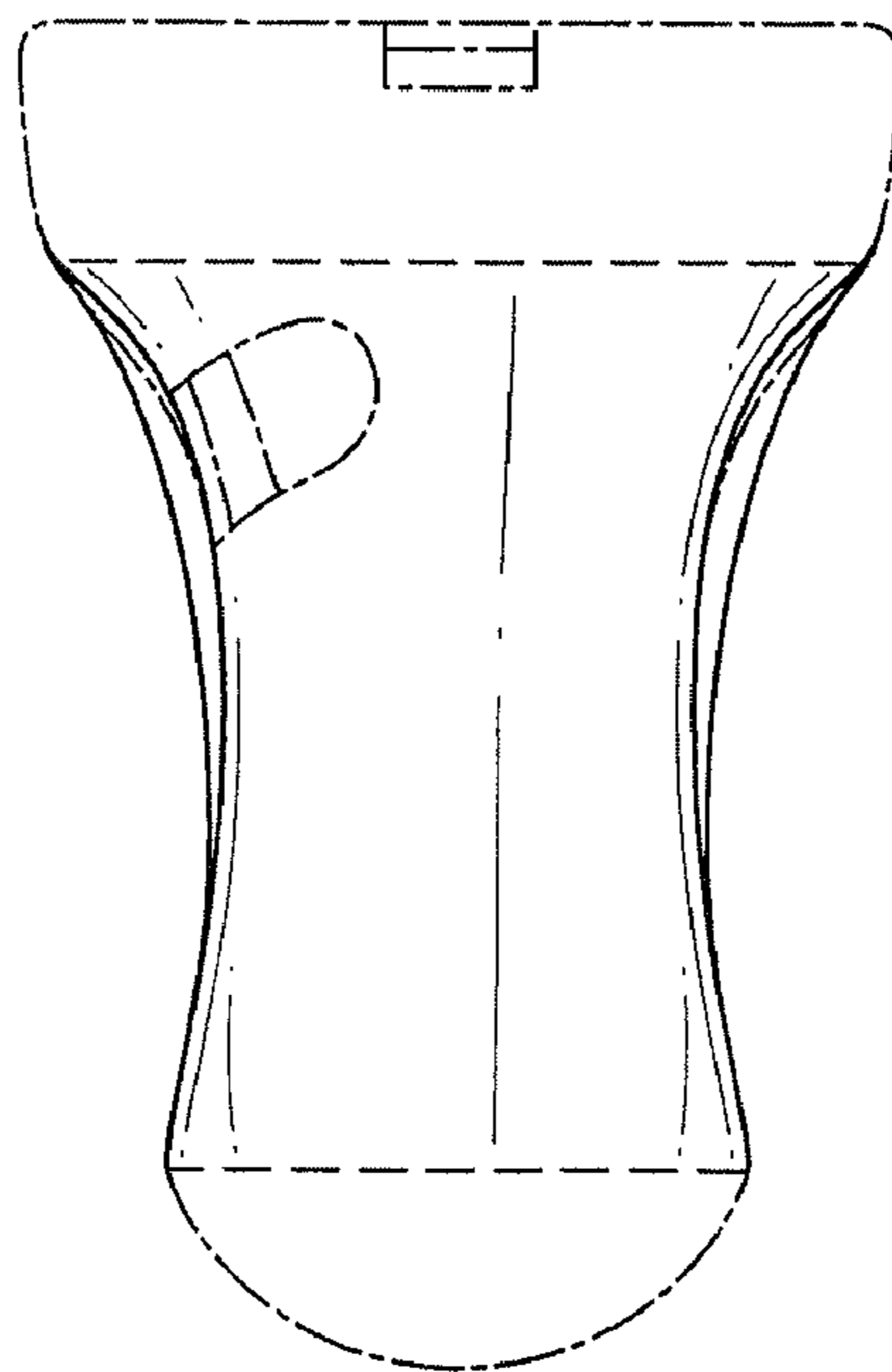


FIG. 4

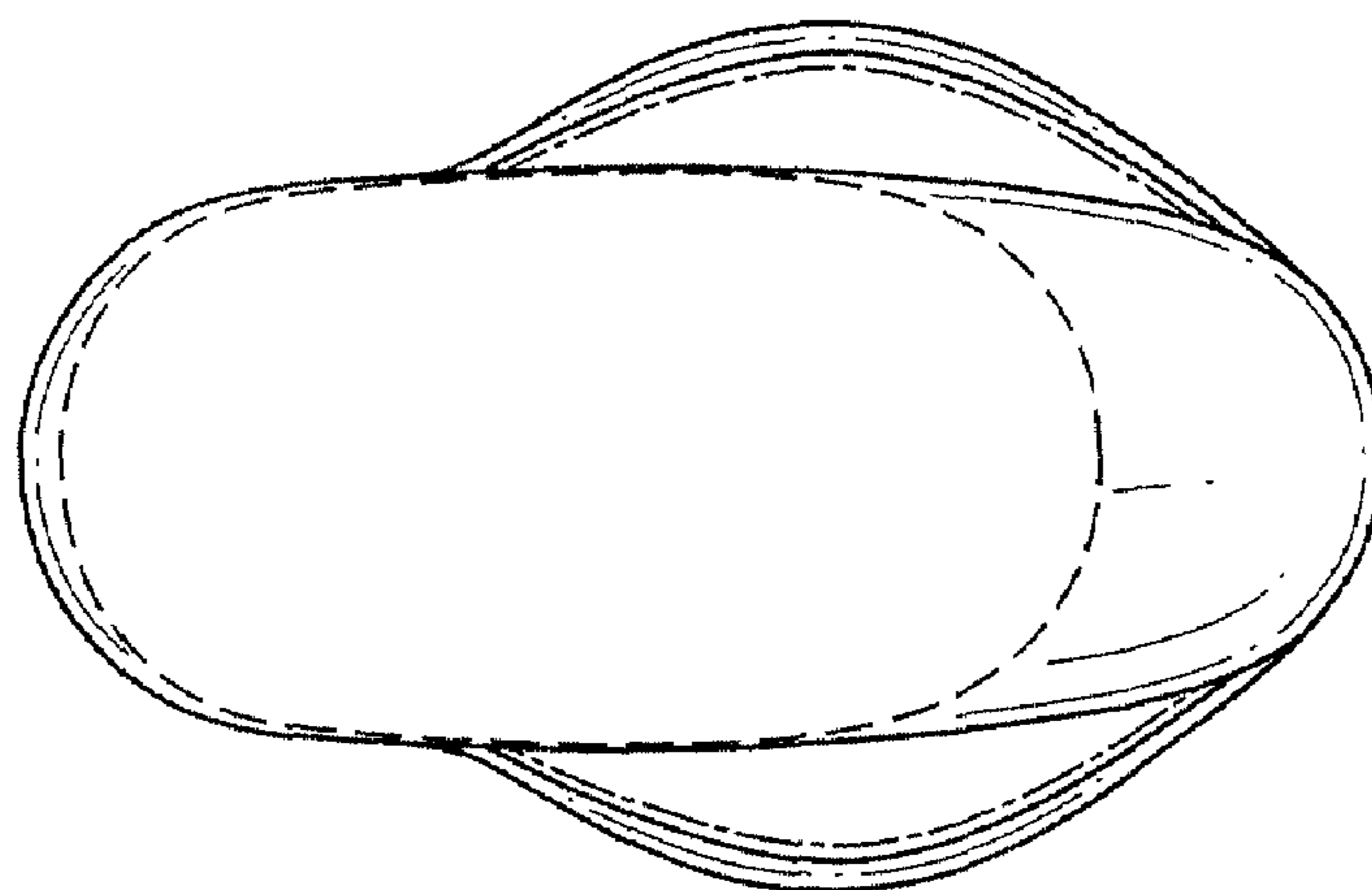


FIG. 5

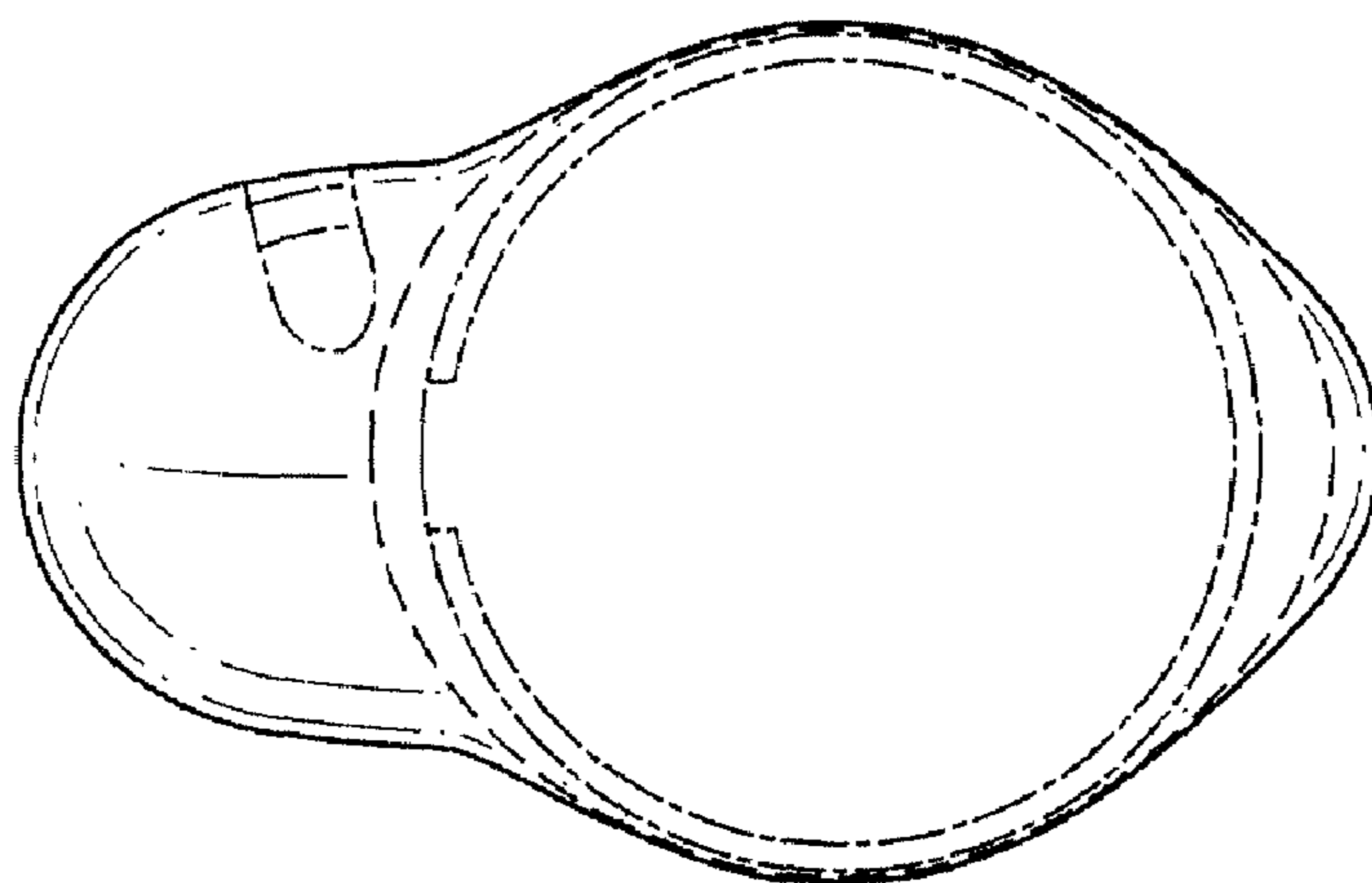


FIG. 6

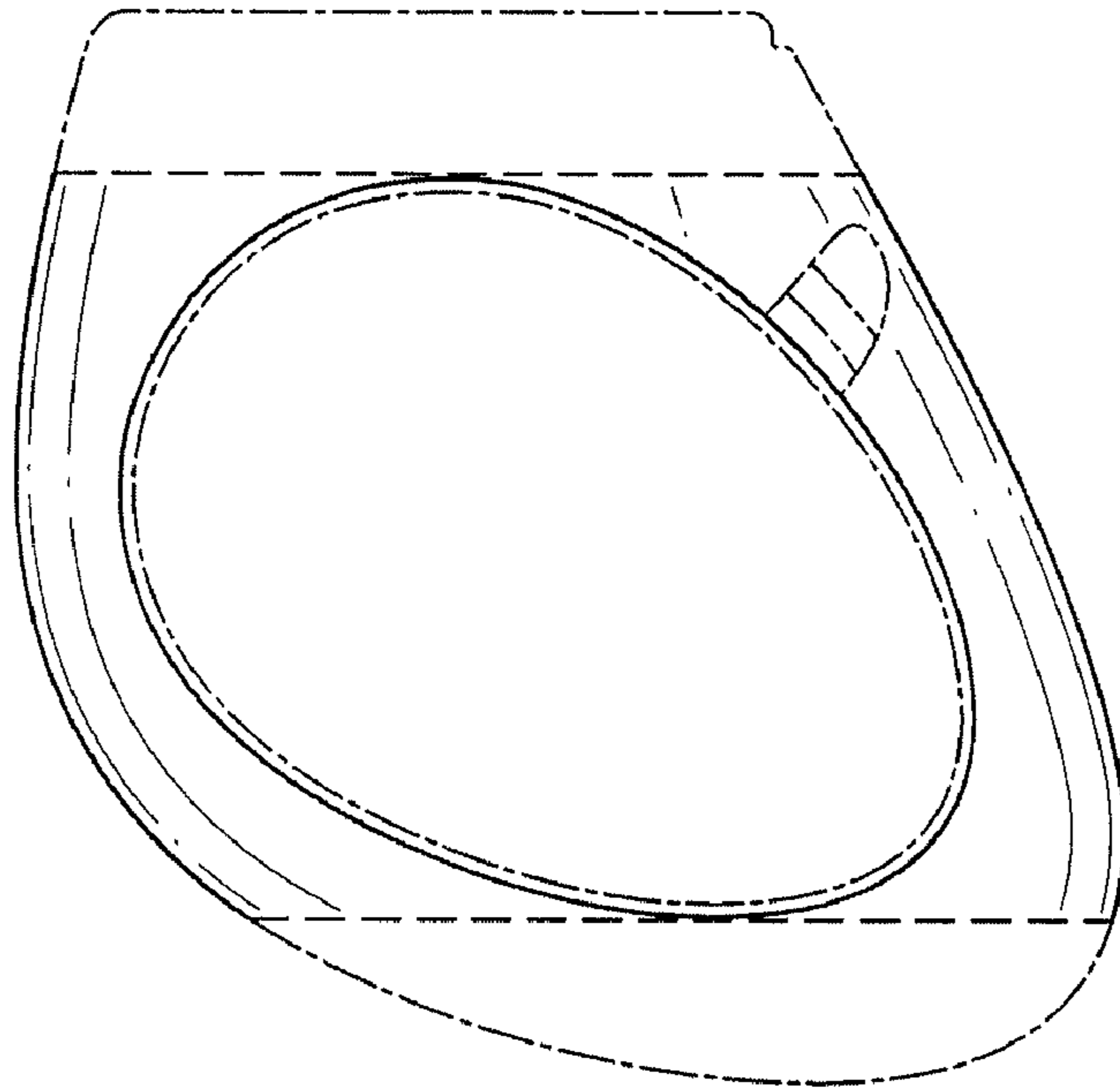


FIG. 7

