



US00D607102S

(12) **United States Design Patent**
Robinson

(10) **Patent No.:** **US D607,102 S**

(45) **Date of Patent:** **** Dec. 29, 2009**

(54) **ROTATIONAL ATHERECTOMY ABRASIVE CROWN**

(75) Inventor: **Paul J. Robinson**, Mahtomedi, MN (US)

(73) Assignee: **Cardiovascular Systems, Inc.**, St. Paul, MN (US)

(**) Term: **14 Years**

(21) Appl. No.: **29/297,122**

(22) Filed: **Nov. 5, 2007**

(51) **LOC (9) Cl.** **24-02**

(52) **U.S. Cl.** **D24/146**

(58) **Field of Classification Search** D24/133,
D24/112, 113, 128, 129, 130, 143; 600/37,
600/434; 604/93.01, 95.05, 164.1, 905, 528,
604/159, 171, 198, 263, 22; 606/159, 115,
606/170, 177, 179, 180

See application file for complete search history.

(56) **References Cited**

U.S. PATENT DOCUMENTS

4,726,369	A *	2/1988	Mar	606/1
4,829,999	A *	5/1989	Auth	606/1
5,112,299	A *	5/1992	Pascaloff	604/22
5,137,288	A *	8/1992	Starkey et al.	279/42
5,161,534	A *	11/1992	Berthiaume	600/434

5,197,956	A *	3/1993	Brizuela	604/171
5,423,331	A *	6/1995	Wysham	600/585
5,474,532	A *	12/1995	Steppe	604/22
5,873,882	A *	2/1999	Straub et al.	606/159
6,030,349	A *	2/2000	Wilson et al.	600/585
2006/0142793	A9*	6/2006	Prudnikov et al.	606/159

* cited by examiner

Primary Examiner—Ian Simmons

Assistant Examiner—Christopher Lee

(74) *Attorney, Agent, or Firm*—Altera Law Group, LLC

(57) **CLAIM**

The ornamental design for a rotational atherectomy abrasive crown, as shown and described.

DESCRIPTION

FIG. 1 is a perspective view of the rotational atherectomy abrasive crown.

FIG. 2 is a left side view thereof.

FIG. 3 is a right side view thereof.

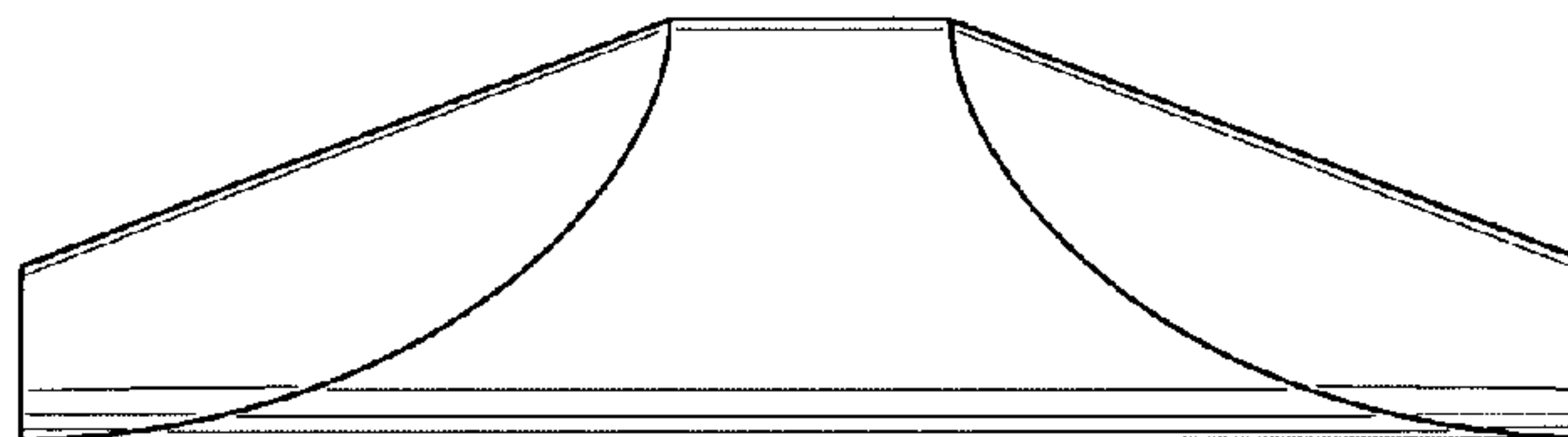
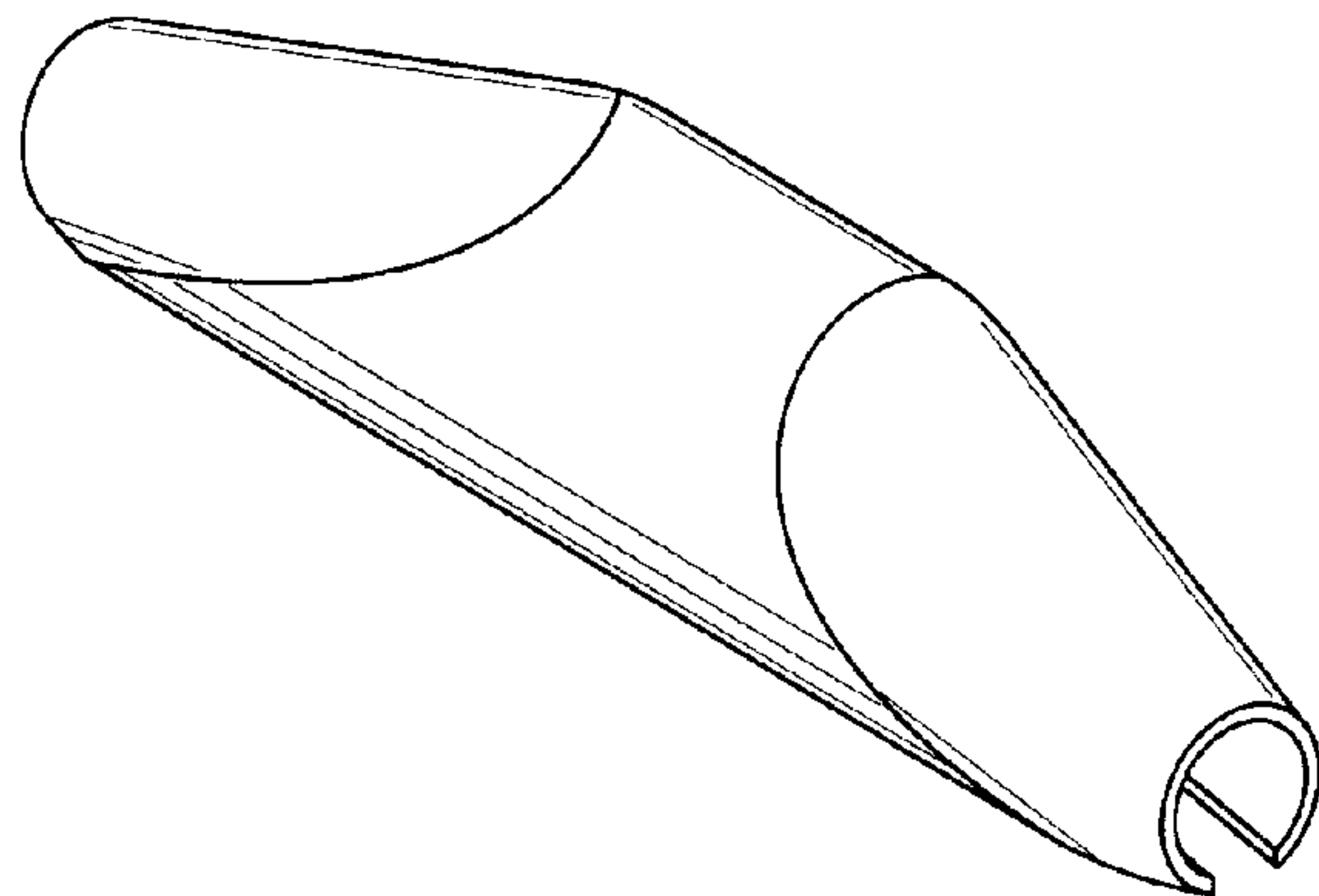
FIG. 4 is a bottom view thereof.

FIG. 5 is a top view thereof.

FIG. 6 is a front view thereof; and,

FIG. 7 is a rear view thereof.

1 Claim, 2 Drawing Sheets



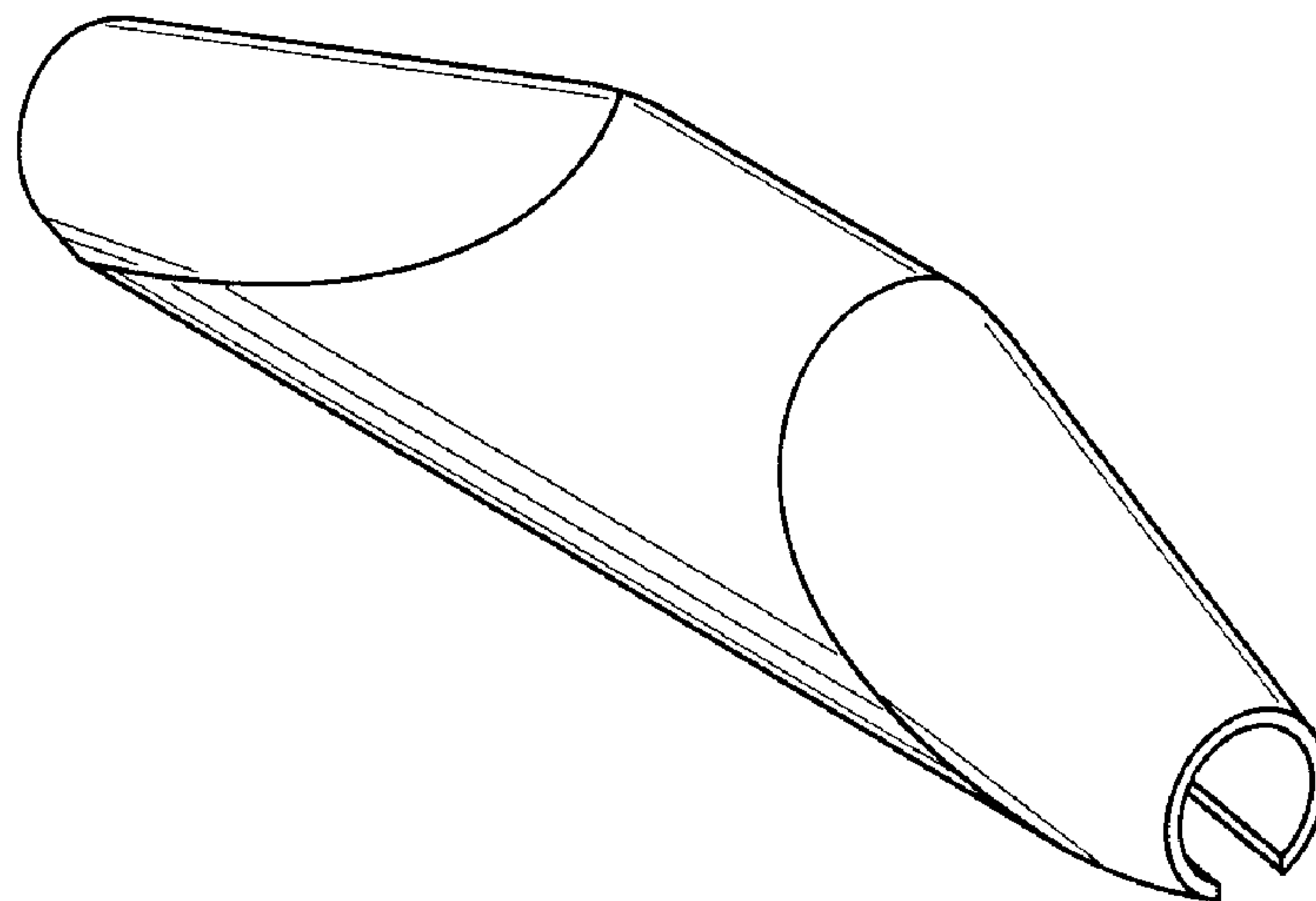


Fig. 1

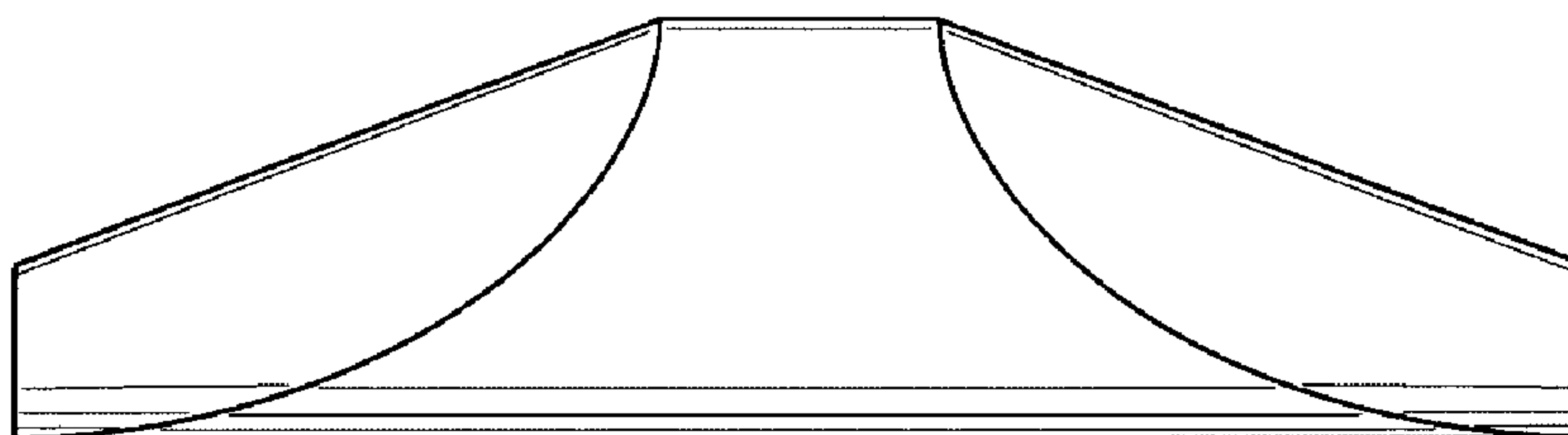


Fig. 2

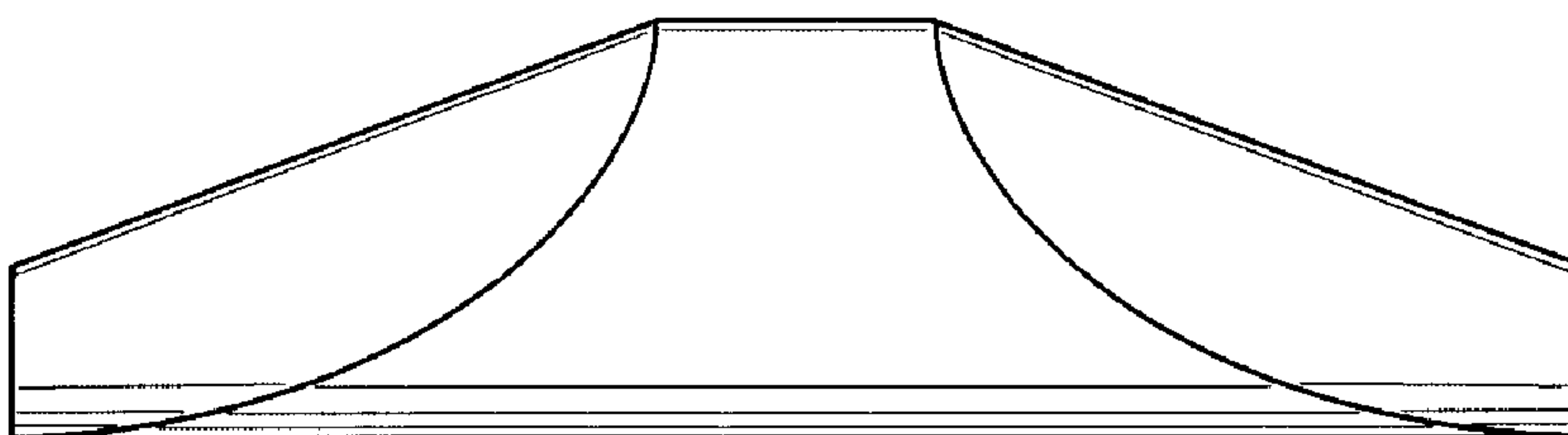


Fig. 3

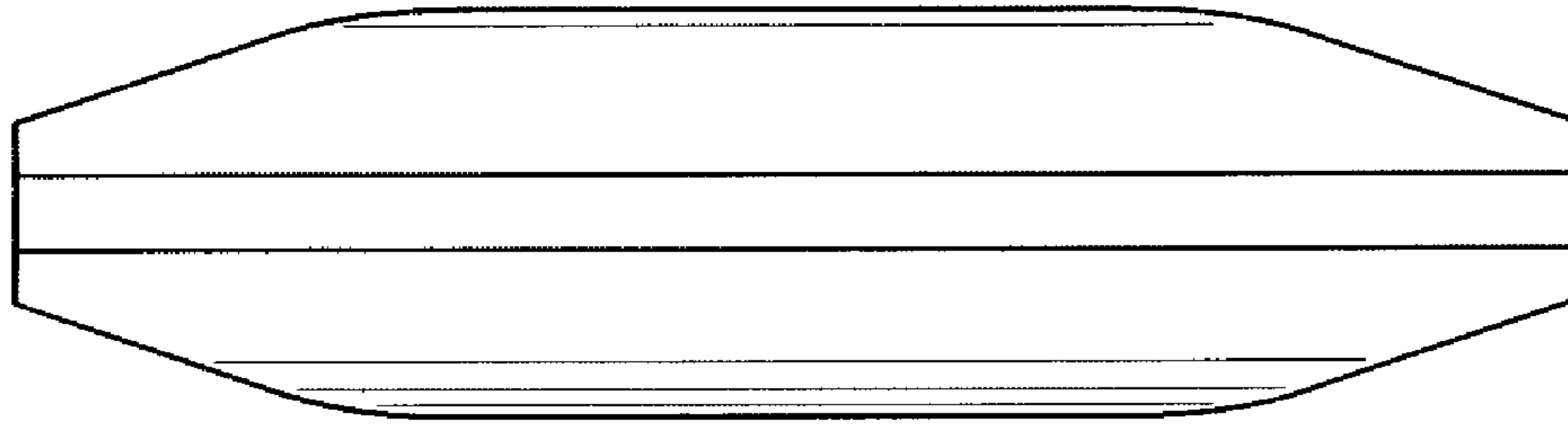


Fig. 4

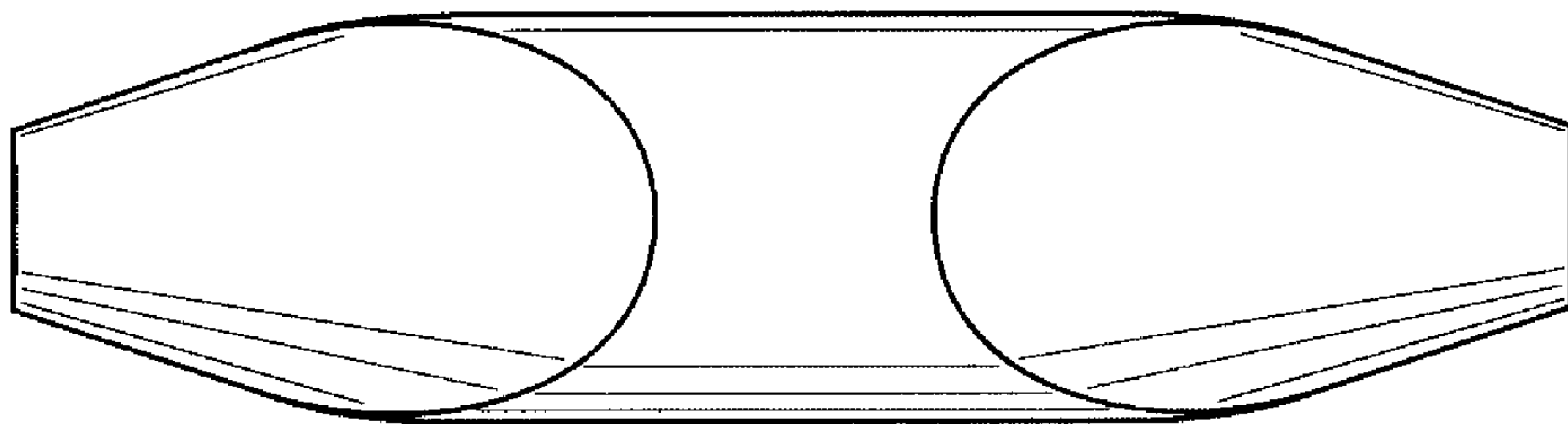


Fig. 5

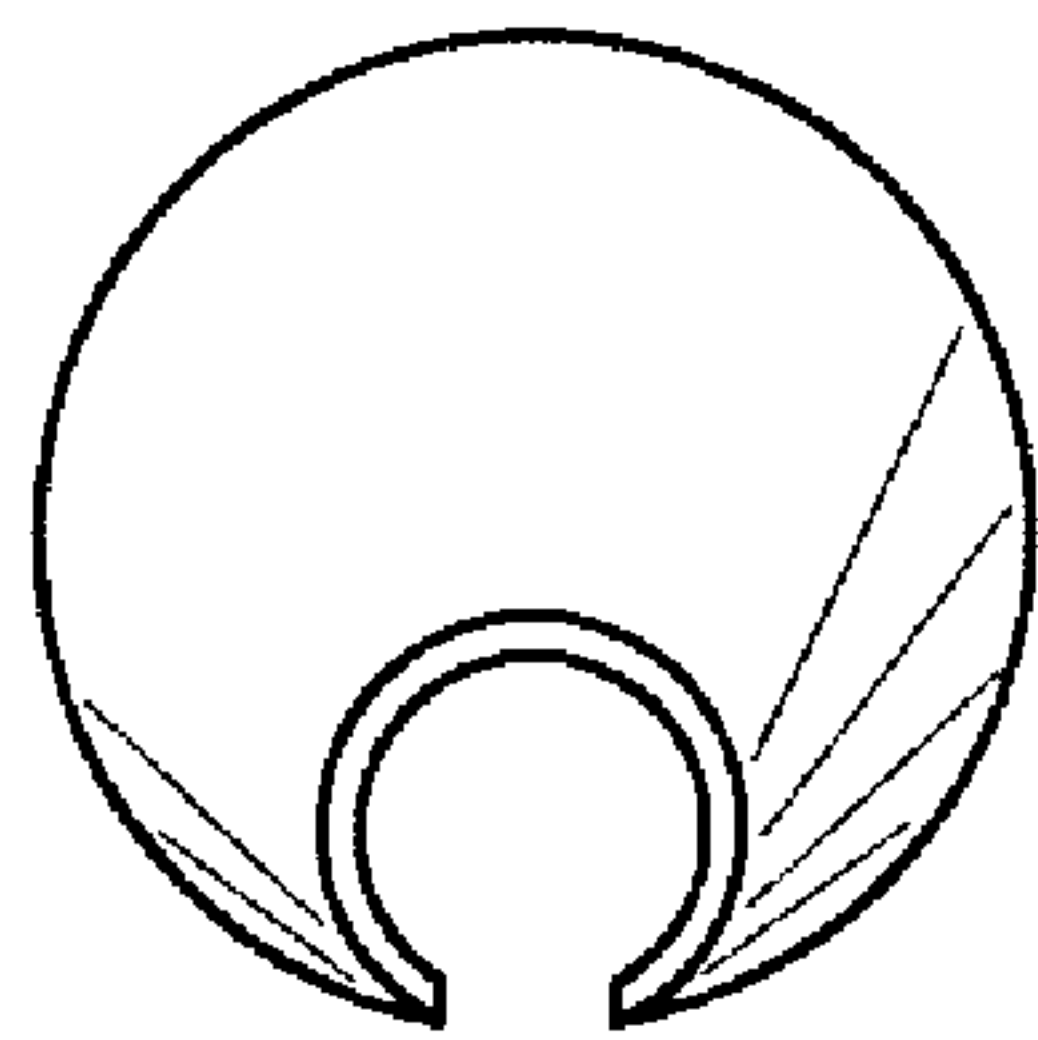


Fig. 6

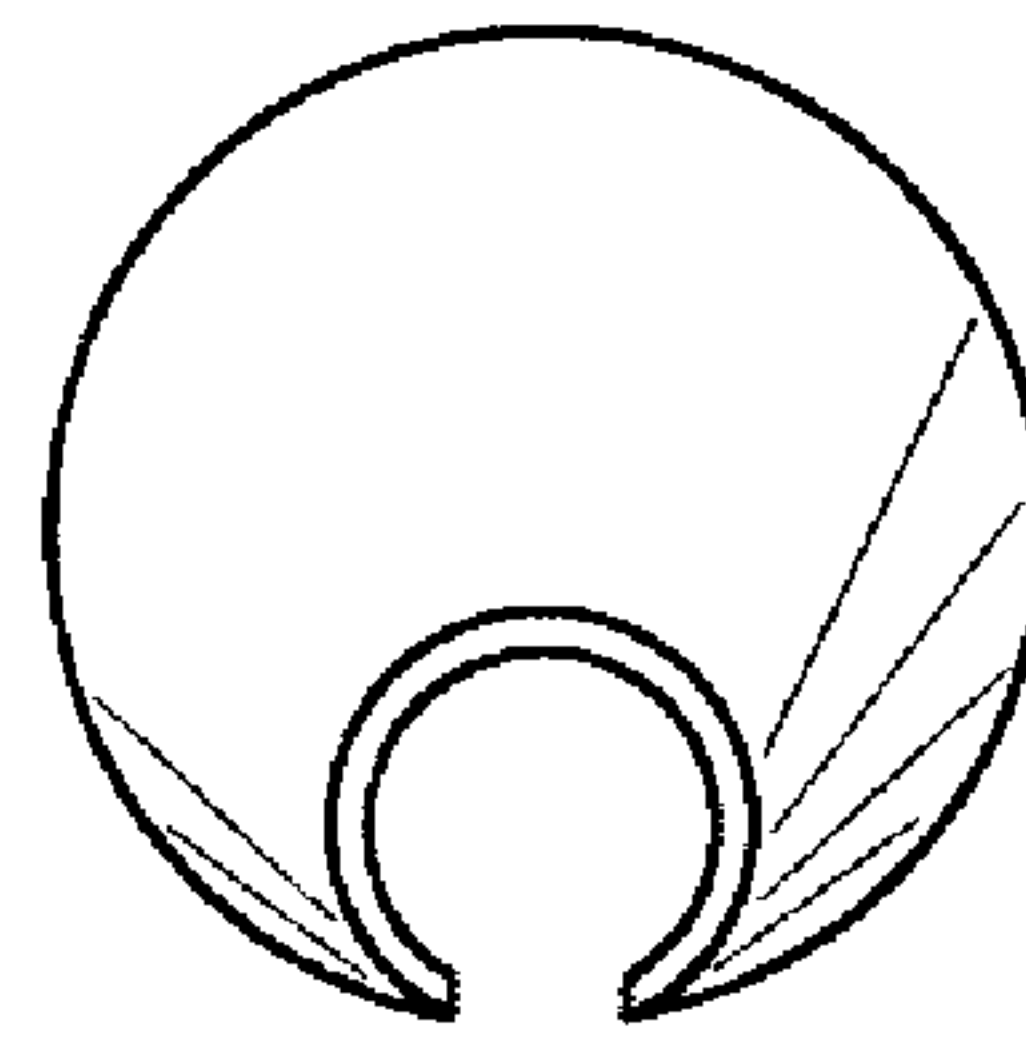


Fig. 7