



US00D607101S

(12) **United States Design Patent**
Andre

(10) **Patent No.:** **US D607,101 S**
(45) **Date of Patent:** **** Dec. 29, 2009**

(54) **OPHTHALMIC SURGICAL PLIERS**

D452,934 S * 1/2002 Grisoni D28/55
D517,212 S * 3/2006 Skarine D24/143
D526,444 S * 8/2006 Di Bitonto et al. D28/55
D559,984 S * 1/2008 Scheller D24/143

(75) Inventor: **Jean-Marie Andre**, Marseilles (FR)

(73) Assignee: **Becton, Dickinson and Company**,
Franklin Lakes, NJ (US)

(**) Term: **14 Years**

(21) Appl. No.: **29/323,072**

(22) Filed: **Aug. 17, 2008**

* cited by examiner

Primary Examiner—Charles A Rademaker
Assistant Examiner—Charles D Hanson
(74) *Attorney, Agent, or Firm*—Hoffman & Baron, LLP

Related U.S. Application Data

(63) Continuation-in-part of application No. 29/248,562,
filed on Aug. 22, 2006, now abandoned.

(51) **LOC (9) Cl.** **24-02**

(52) **U.S. Cl.** **D24/143; D28/55**

(58) **Field of Classification Search** D24/143,
D24/147, 146, 145, 149, 154; D28/55; 606/138,
606/205, 210, 211, 139

See application file for complete search history.

(56) **References Cited**

U.S. PATENT DOCUMENTS

D341,886 S * 11/1993 Stolte D24/143
D415,276 S * 10/1999 Bell D24/147

(57) **CLAIM**

The ornamental design for ophthalmic surgical pliers, as
shown and described.

DESCRIPTION

FIG. 1 is an upper perspective view of the ophthalmic surgical
pliers showing my design.

FIG. 2 is a top plan view thereof;

FIG. 3 is a bottom plan view thereof;

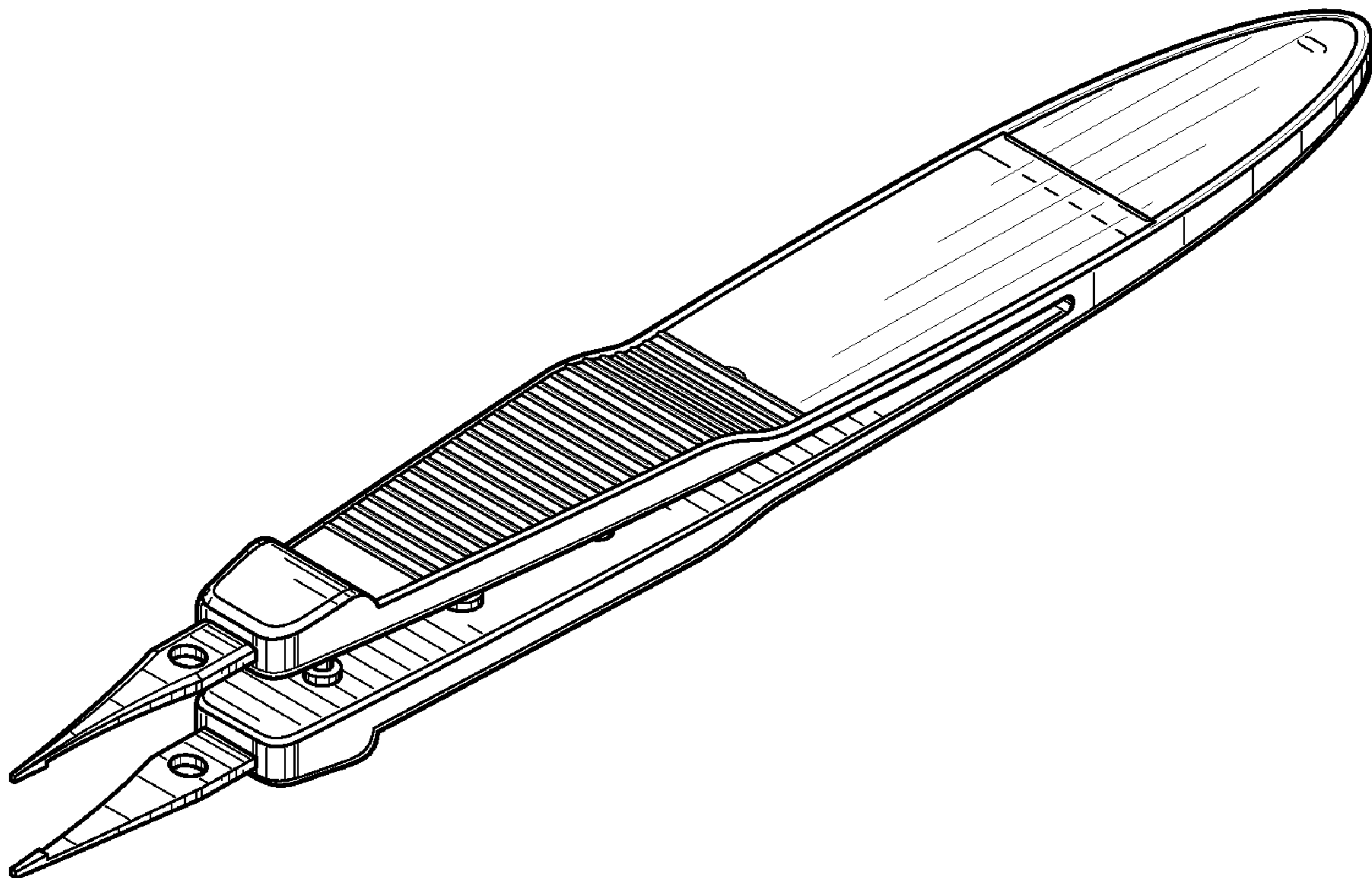
FIG. 4 is a front elevation view thereof;

FIG. 5 is a back elevation views thereof;

FIG. 6 is a side elevation view thereof; and,

FIG. 7 is an opposite side elevation view thereof.

1 Claim, 2 Drawing Sheets



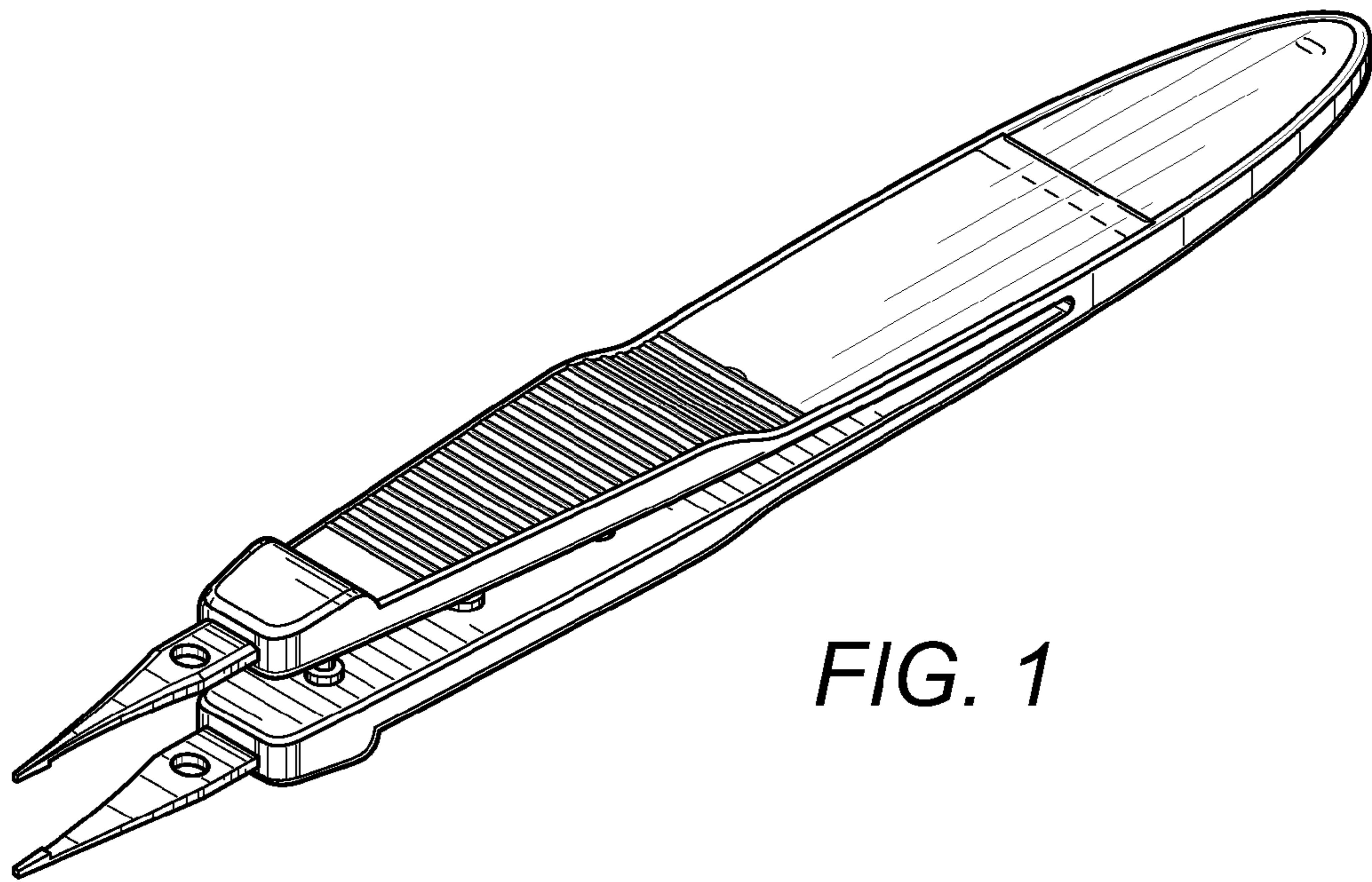


FIG. 1

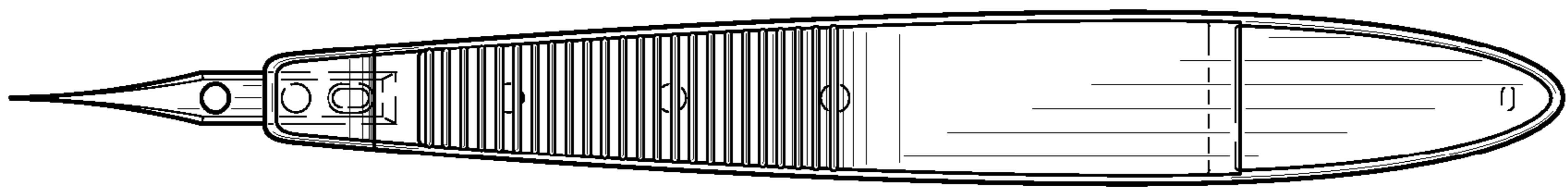


FIG. 2

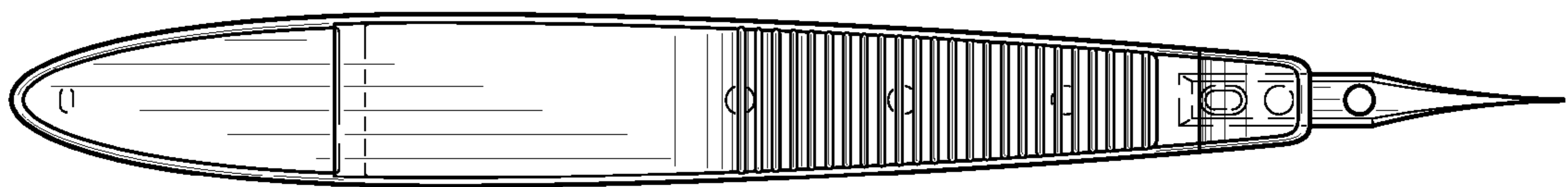


FIG. 3

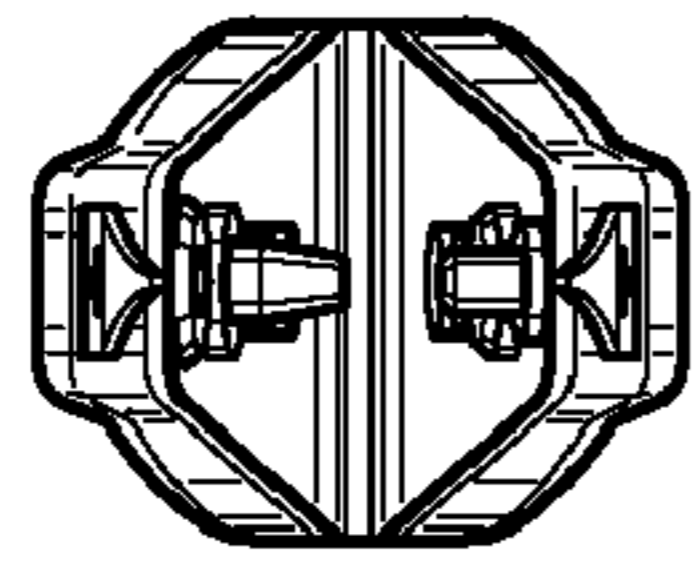


FIG. 4

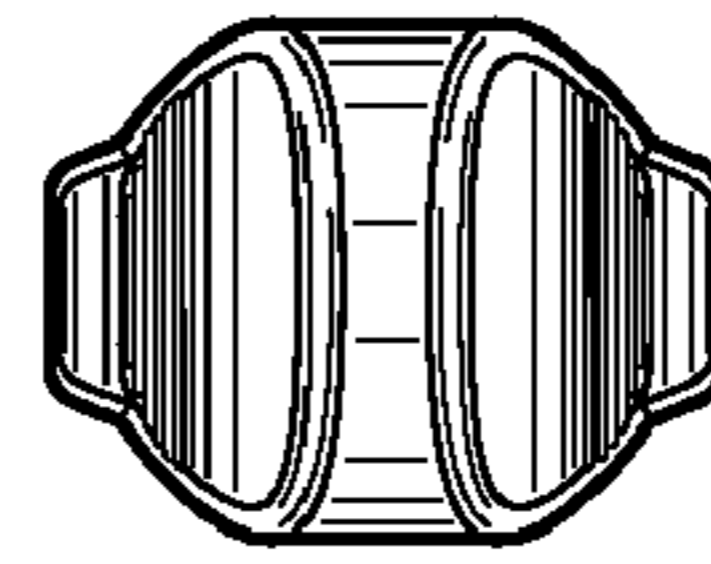


FIG. 5

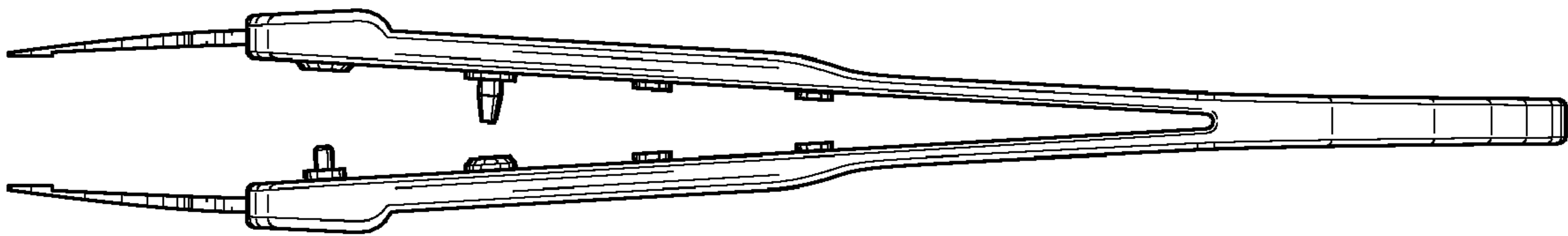


FIG. 6

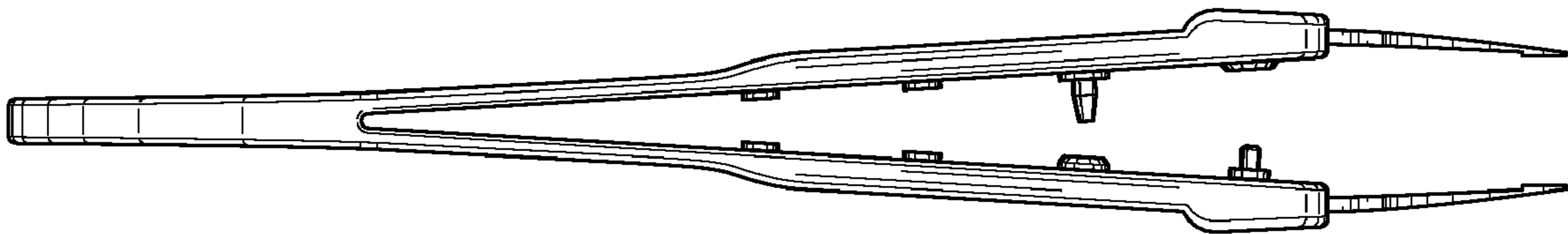


FIG. 7