



US00D607099S

(12) **United States Design Patent**
Loerwald

(10) **Patent No.:** **US D607,099 S**
(45) **Date of Patent:** **** Dec. 29, 2009**

(54) **INSULIN PUMP**

(75) Inventor: **Dieter Loerwald**, Hamburg (DE)

(73) Assignee: **CeQur ApS**, Nordborg (DK)

(**) Term: **14 Years**

(21) Appl. No.: **29/336,690**

(22) Filed: **May 7, 2009**

Related U.S. Application Data

(62) Division of application No. 29/298,057, filed on Nov. 28, 2007.

(30) **Foreign Application Priority Data**

May 31, 2007 (EM) 000732649

(51) **LOC (9) Cl.** **24-01**

(52) **U.S. Cl.** **D24/108; D24/111**

(58) **Field of Classification Search** D24/107-108,
D24/169, 111; 128/DIG. 2, DIG. 13; 604/131,
604/151-152, 154

See application file for complete search history.

(56) **References Cited**

U.S. PATENT DOCUMENTS

4,201,207	A	5/1980	Buckles et al.	
4,386,929	A	6/1983	Peery et al.	
4,752,289	A	6/1988	Balding et al.	
4,898,579	A	2/1990	Groshong et al.	
4,994,035	A	2/1991	Mokros	
5,105,983	A	4/1992	Sancoff et al.	
5,120,315	A	6/1992	Hessel	
5,211,626	A	5/1993	Frank et al.	
5,317,269	A	5/1994	Mills et al.	
5,395,320	A	3/1995	Padma et al.	
5,462,525	A *	10/1995	Srisathapat et al.	604/67
5,492,533	A	2/1996	Kriesel	
5,791,880	A	8/1998	Wilson	
5,843,014	A	12/1998	Lattin et al.	
D461,241	S *	8/2002	Moberg et al.	D24/111
D461,891	S *	8/2002	Moberg	D24/111

6,459,917	B1 *	10/2002	Gowda et al.	600/345
D469,176	S	1/2003	Hall et al.	
6,555,986	B2	4/2003	Moberg	
D475,454	S	6/2003	Gillespie, Jr. et al.	
6,589,229	B1	7/2003	Connelly et al.	

(Continued)

FOREIGN PATENT DOCUMENTS

DE 198 58 426 9/1999

(Continued)

Primary Examiner—Stella M Reid
Assistant Examiner—Wan Laymon
(74) *Attorney, Agent, or Firm*—Goodwin Procter LLP

(57) **CLAIM**

The ornamental design for an insulin pump, as shown and described.

DESCRIPTION

FIG. 1 is a top view of the insulin pump comprising a new, original and ornamental design;

FIG. 2 is a rear view of the insulin pump comprising the new, original and ornamental design;

FIG. 3 is a bottom view of the insulin pump comprising the new, original and ornamental design;

FIG. 4 is top, rear exploded perspective view of the insulin pump comprising the new, original and ornamental design;

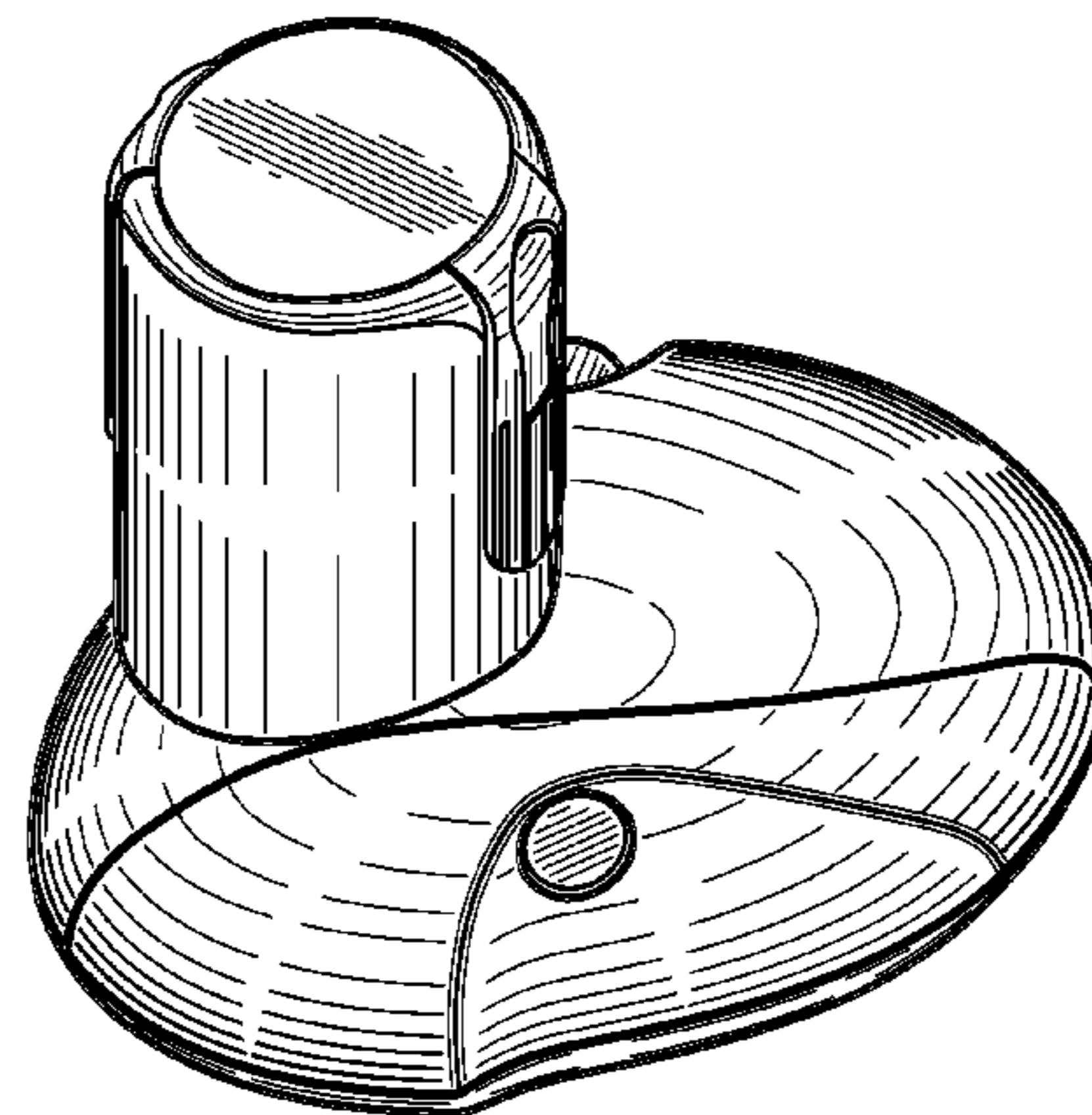
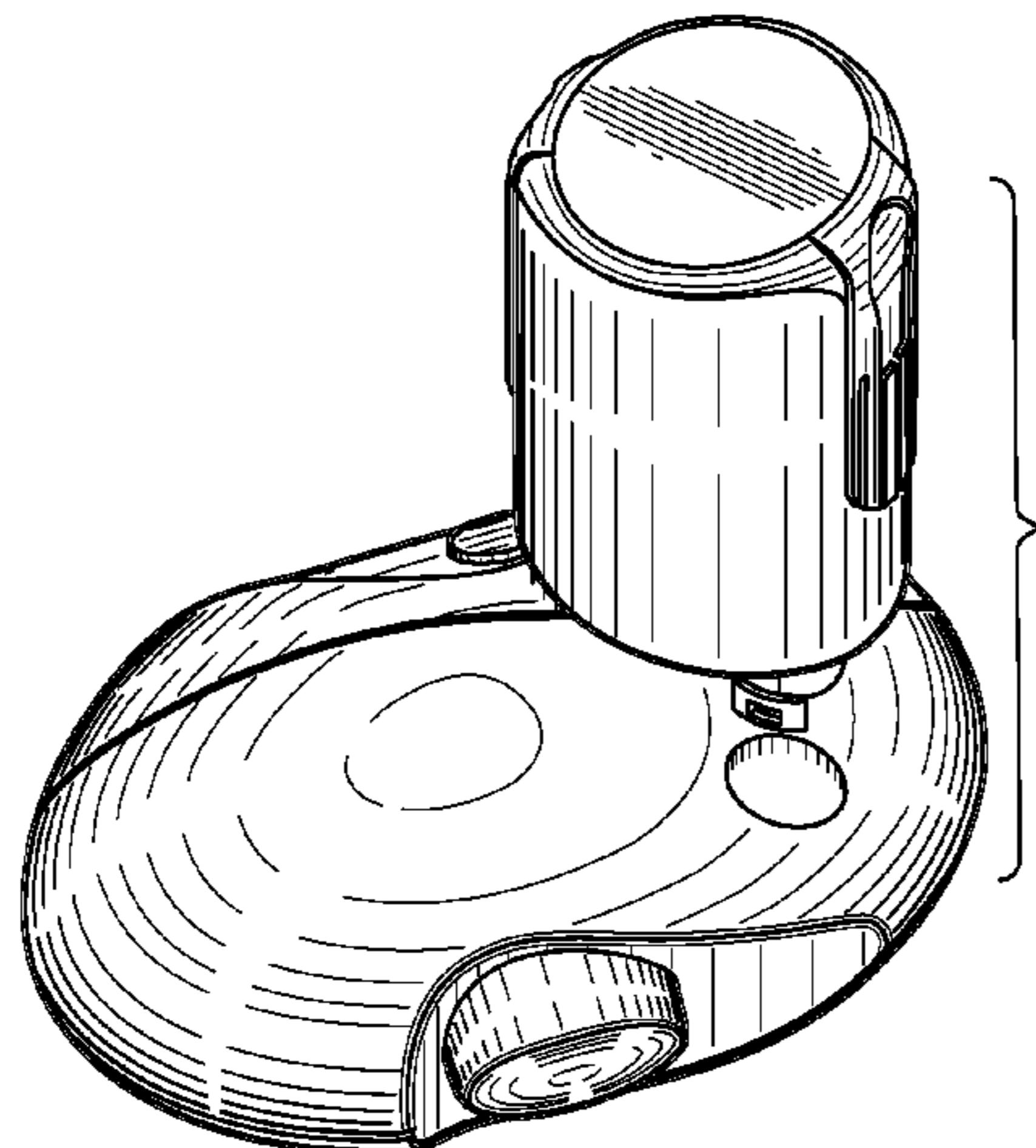
FIG. 5 is a front view of the insulin pump the new, original and ornamental design;

FIG. 6 is a top, front perspective view of the insulin pump comprising the new, original and ornamental design; and,

FIG. 7 is a left-hand side view of the insulin pump comprising the new, original and ornamental design.

The broken lines illustrate environmental structure of the insulin pump, which forms no part of the claimed design.

1 Claim, 4 Drawing Sheets



US D607,099 S

Page 2

U.S. PATENT DOCUMENTS

6,659,980	B2	12/2003	Moberg et al.
6,740,059	B2	5/2004	Flaherty
6,852,104	B2	2/2005	Blomquist
6,872,200	B2	3/2005	Mann et al.
6,901,293	B2	5/2005	Rogers et al.
D516,217	S	2/2006	Brown et al.
6,997,920	B2	2/2006	Mann et al.
7,231,263	B2*	6/2007	Choi 700/17
7,291,126	B2	11/2007	Shekalim et al.
D564,087	S	3/2008	Yodfat et al.
7,341,572	B2	3/2008	Bridle et al.
7,377,907	B2	5/2008	Shekalim
D580,047	S	11/2008	Pukall et al.
D580,285	S	11/2008	Hendrickson et al.
D585,132	S*	1/2009	Pukall et al. D24/111
D585,136	S	1/2009	Kurokawa et al.
D585,137	S	1/2009	Onoda et al.
D586,463	S	2/2009	Evans et al.
2002/0183604	A1*	12/2002	Gowda et al. 600/345
2003/0204274	A1	10/2003	Ullestad et al.
2003/0212379	A1	11/2003	Bylund et al.
2004/0133166	A1	7/2004	Moberg et al.
2004/0158207	A1	8/2004	Hunn et al.
2004/0167464	A1	8/2004	Ireland et al.
2005/0101932	A1	5/2005	Cote et al.
2006/0184121	A1	8/2006	Brockman et al.
2006/0224141	A1	10/2006	Rush et al.

2007/0032891	A1	2/2007	Choi
2007/0060870	A1	3/2007	Tolle et al.
2007/0083153	A1	4/2007	Haar
2007/0093750	A1*	4/2007	Jan et al. 604/131
2007/0250007	A1	10/2007	Shekalim
2008/0051710	A1	2/2008	Moberg et al.
2008/0051738	A1	2/2008	Griffin
2008/0058718	A1	3/2008	Adams et al.
2008/0086086	A1	4/2008	Field et al.
2008/0147044	A1	6/2008	Palmer et al.
2008/0172031	A1	7/2008	Blomquist
2008/0183060	A1	7/2008	Steil et al.
2008/0183133	A1*	7/2008	Kiersh 604/131
2008/0269687	A1*	10/2008	Chong et al. 604/180
2009/0005729	A1	1/2009	Hendrixson et al.
2009/0069787	A1*	3/2009	Estes et al. 604/503
2009/0099523	A1*	4/2009	Grant et al. 604/151
2009/0112162	A1*	4/2009	O'Connor 604/131
2009/0177142	A1*	7/2009	Blomquist et al. 604/66

FOREIGN PATENT DOCUMENTS

JP	8206199	8/1996
WO	WO-94/27669	12/1994
WO	WO-97/38322	12/1997
WO	WO-2004/032990	4/2004
WO	WO-2007/140632	12/2007

* cited by examiner

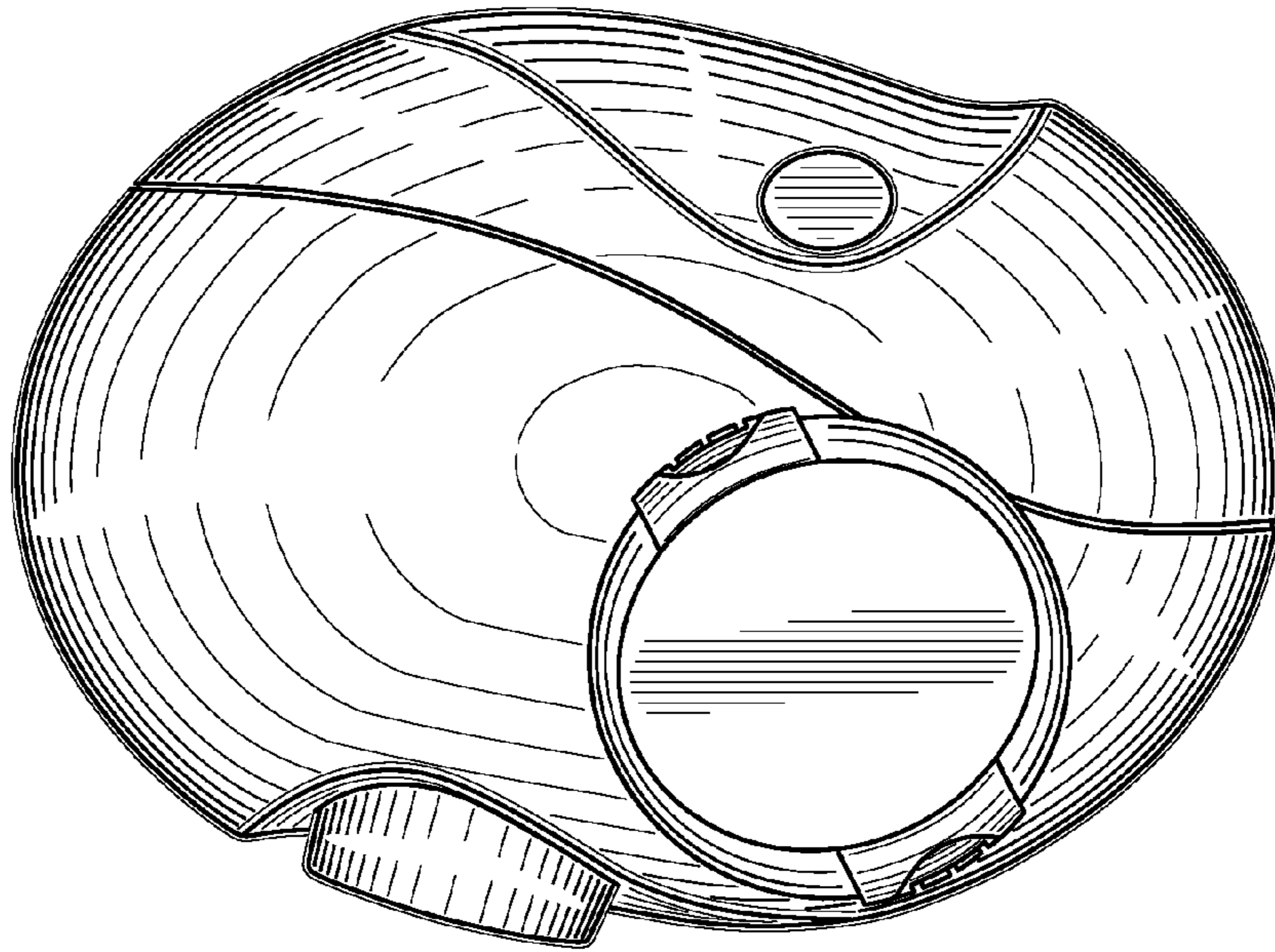


FIG. 1

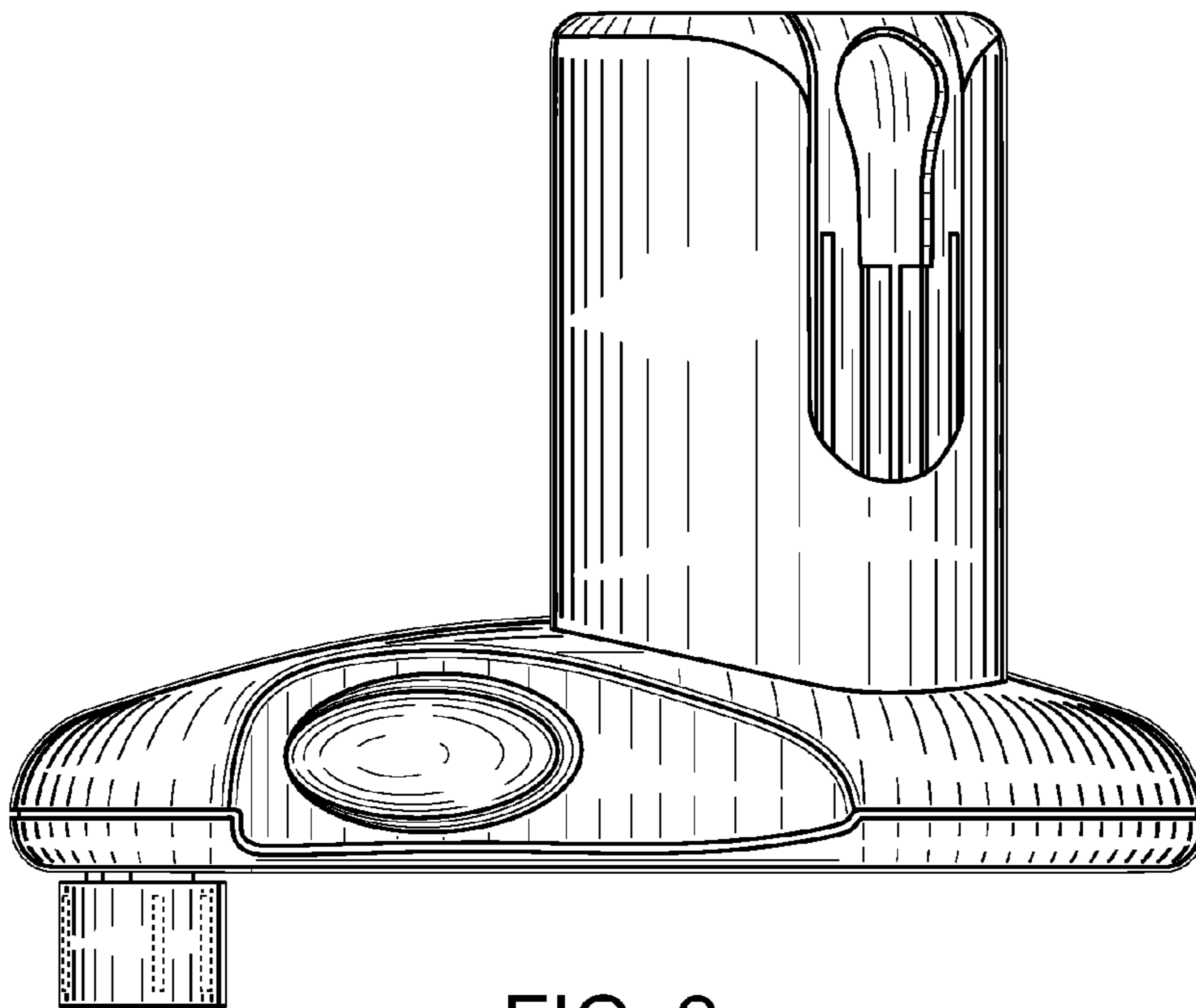


FIG. 2

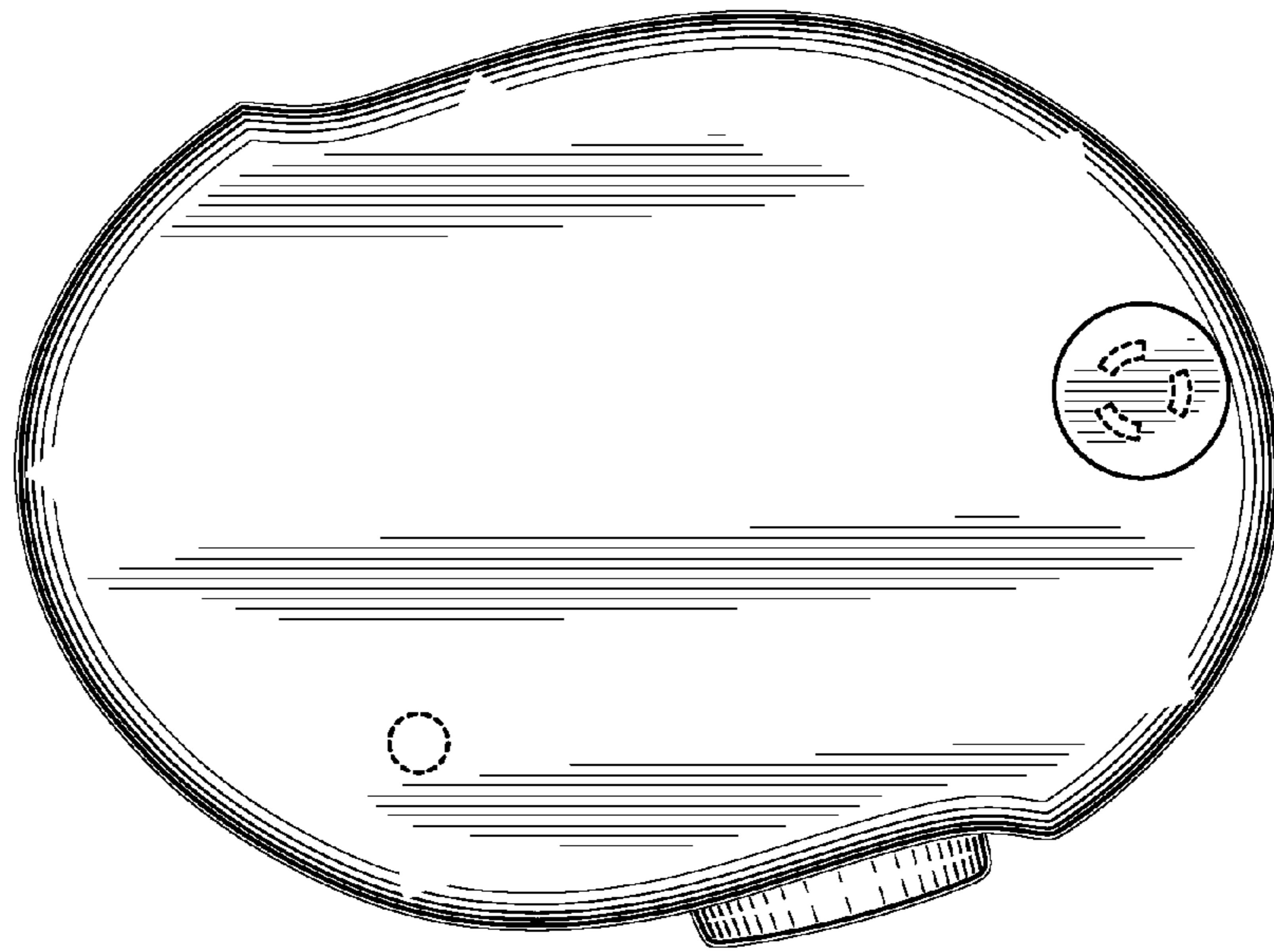


FIG. 3

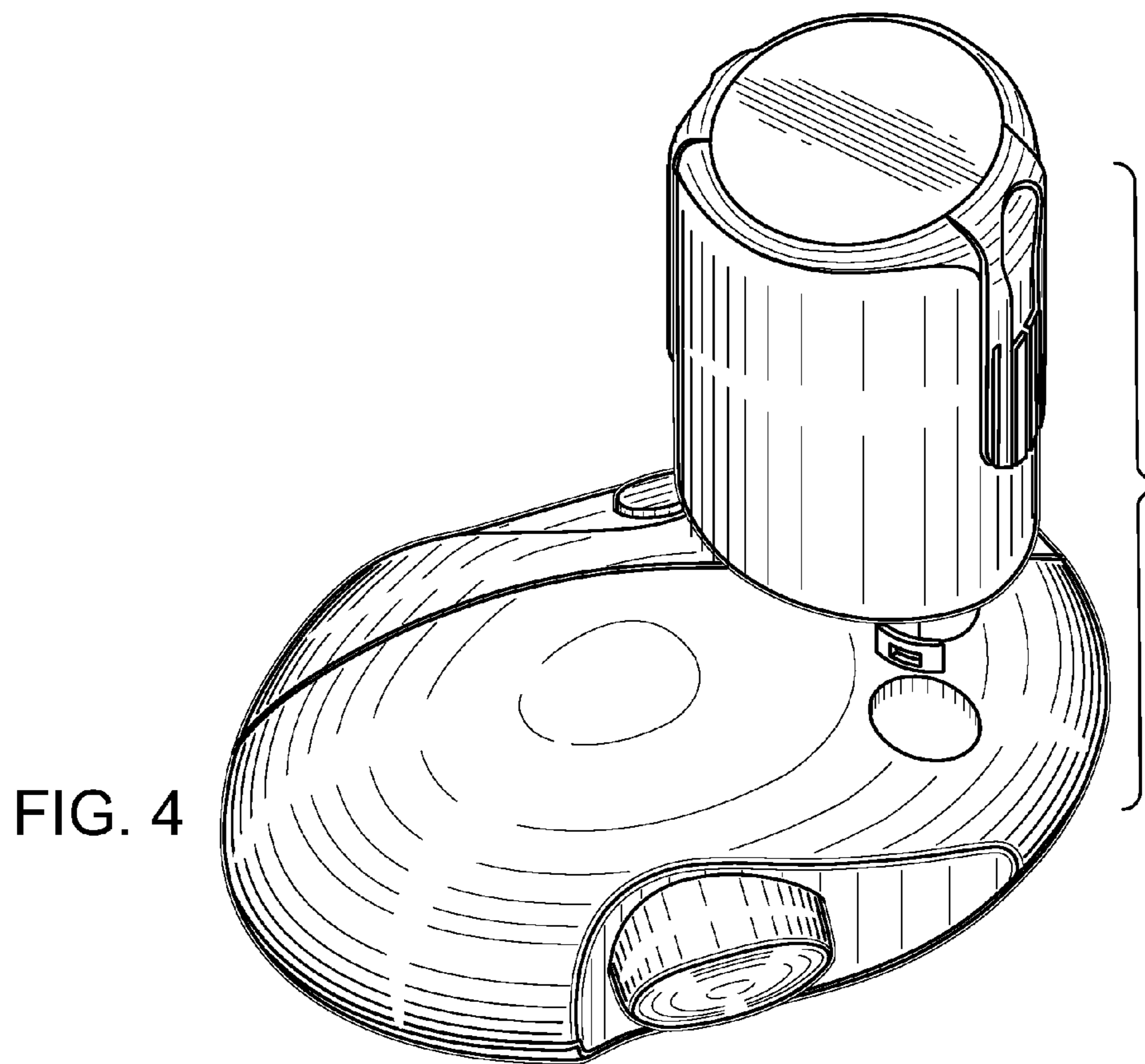


FIG. 4

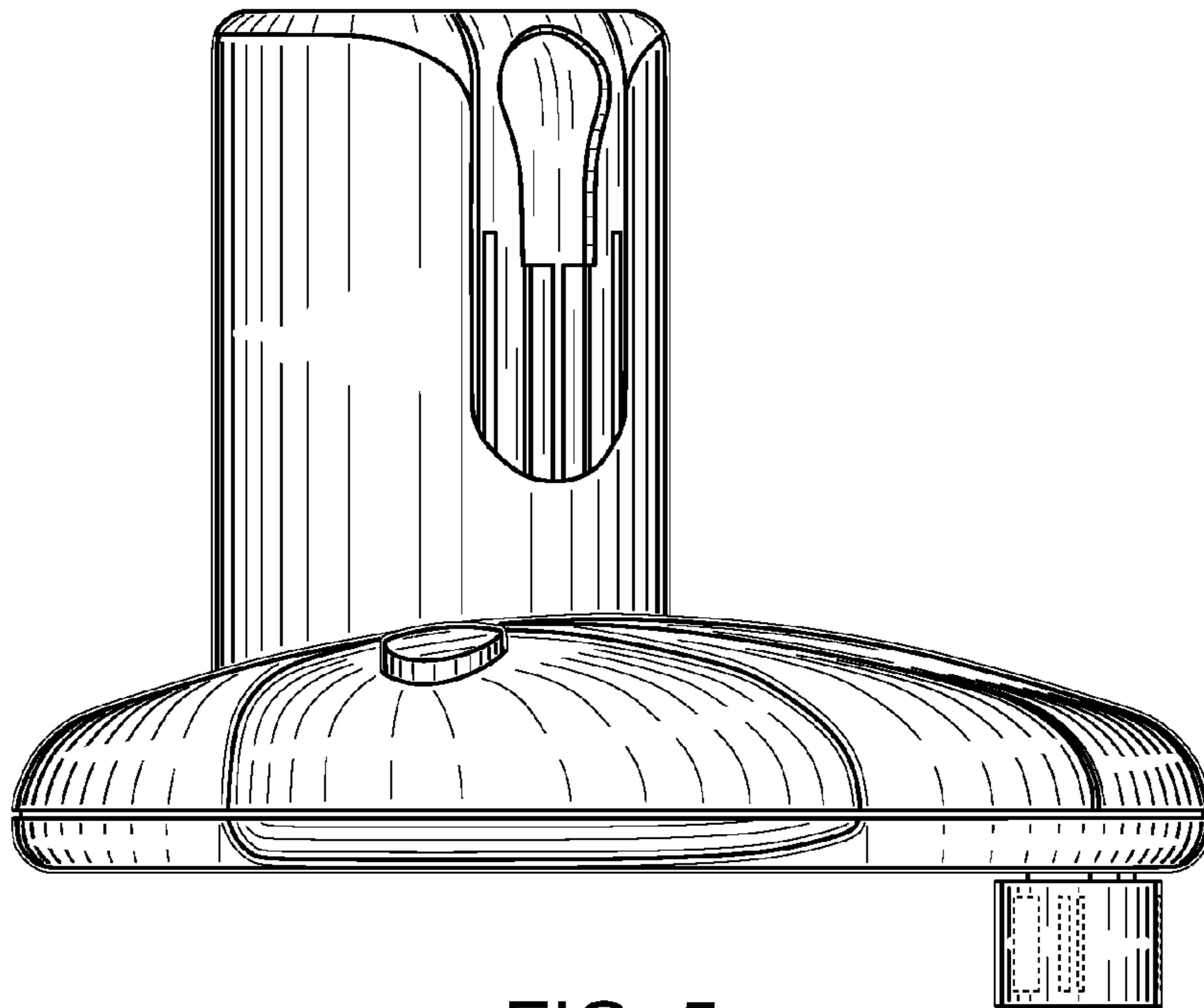


FIG. 5

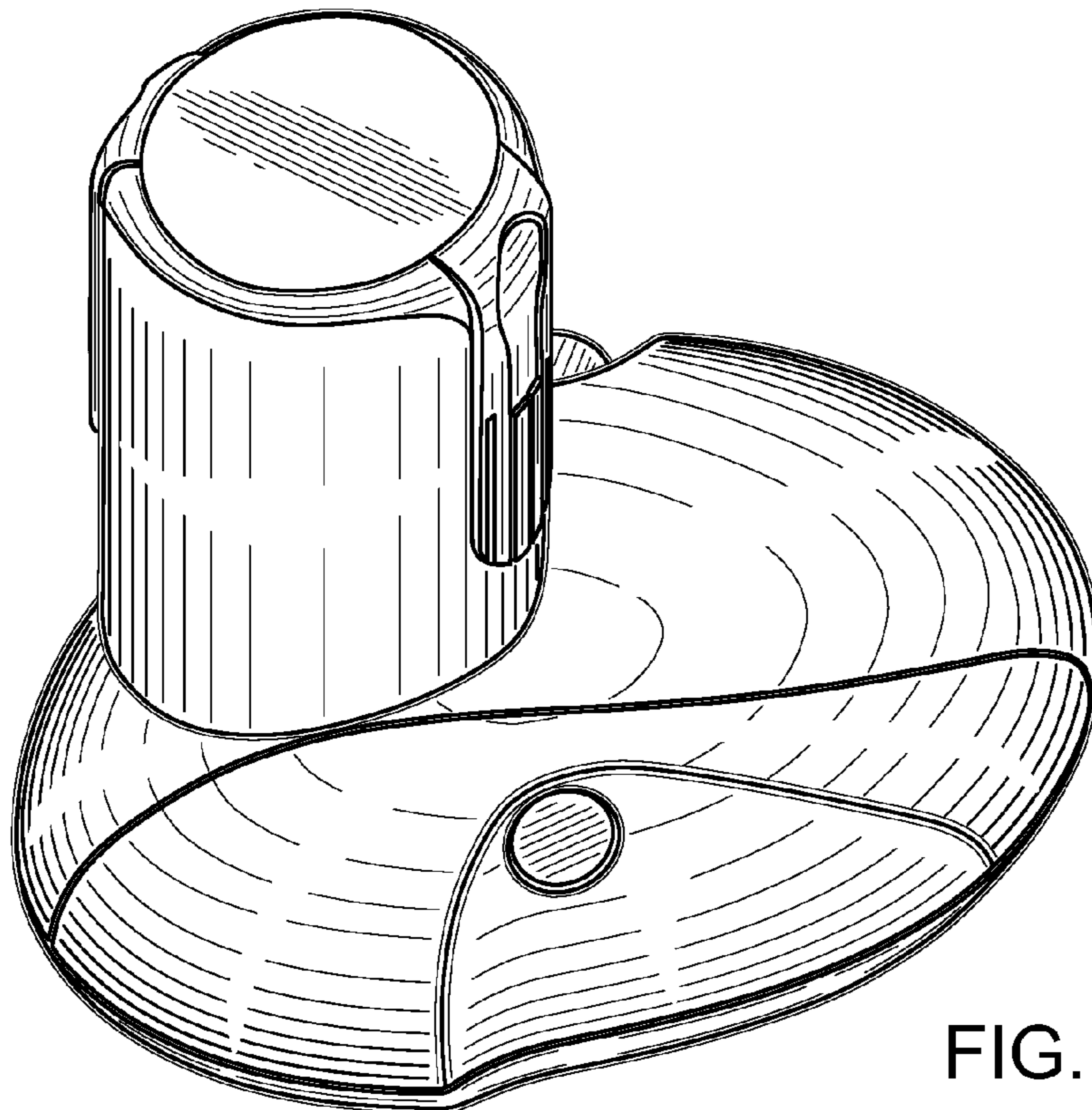


FIG. 6

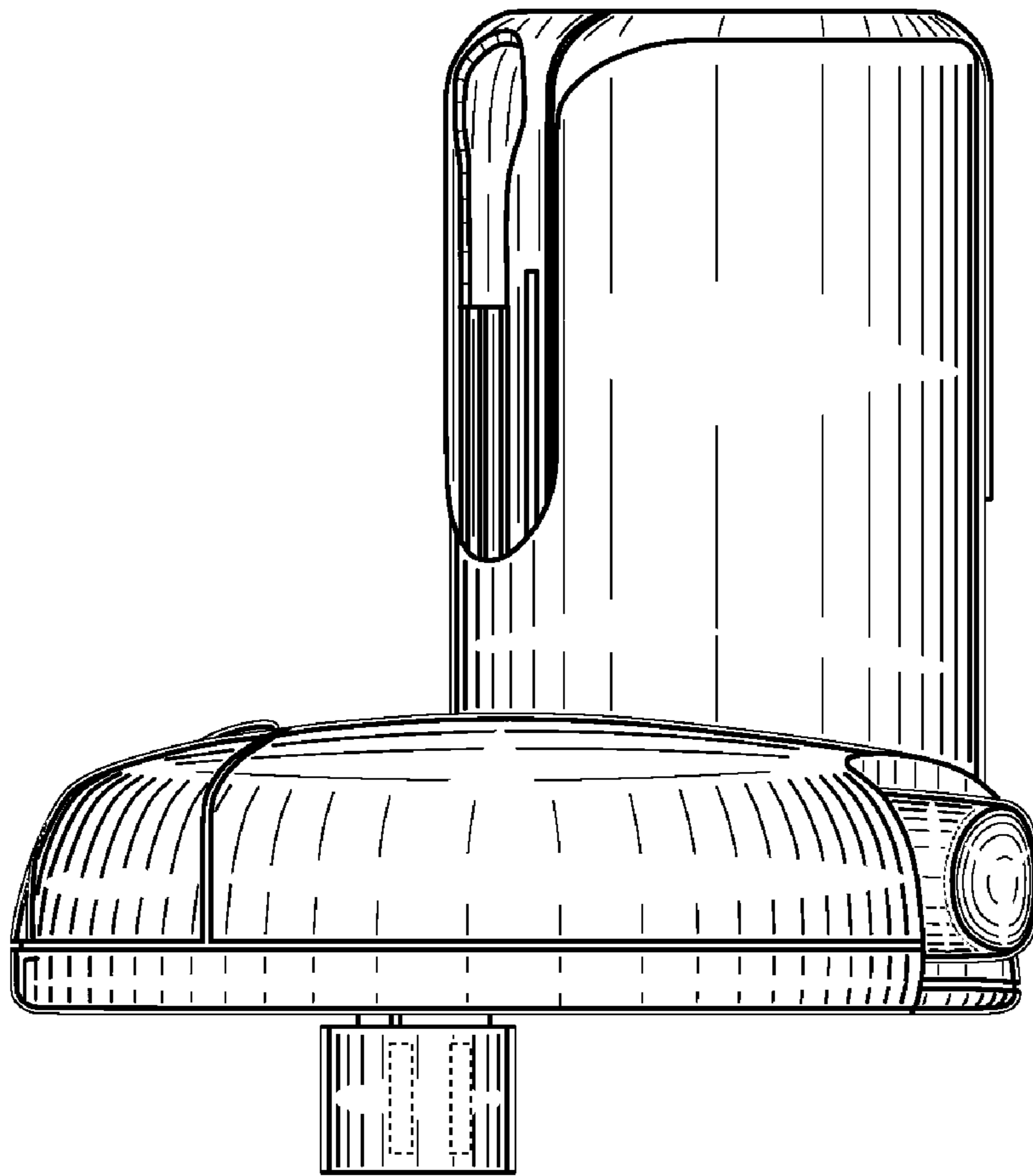


FIG. 7