



US00D607098S

(12) **United States Design Patent**  
**Sykes**

(10) **Patent No.:** **US D607,098 S**

(45) **Date of Patent:** **\*\* Dec. 29, 2009**

(54) **CRAWL SPACE RECESSED VENT COVER**

(76) **Inventor:** **William G. Sykes**, 3669 Seagull Bluff  
Dr., Virginia Beach, VA (US) 23455

(\*\*) **Term:** **14 Years**

(21) **Appl. No.:** **29/315,042**

(22) **Filed:** **May 21, 2009**

(51) **LOC (9) Cl.** ..... **23-04**

(52) **U.S. Cl.** ..... **D23/393**

(58) **Field of Classification Search** ..... D23/385-389,  
D23/392, 393, 395, 397, 370, 351, 354; 454/309,  
454/275-277, 284, 287-289, 291; D7/550.1,  
D7/553.2, 610, 354; D9/759, 760, 424, 425,  
D9/432

See application file for complete search history.

(56) **References Cited**

**U.S. PATENT DOCUMENTS**

D35,583 S *	1/1902	Hart	.....	D23/388
D240,714 S *	7/1976	White	.....	D9/425
D241,109 S *	8/1976	Levin	.....	D9/425
D247,426 S *	3/1978	Montesi	.....	D9/424
D292,379 S *	10/1987	Pollitt	.....	D9/425
4,699,045 A *	10/1987	Hensley	.....	454/313
D298,053 S *	10/1988	Waltz et al.	.....	D23/387

D361,508 S *	8/1995	Schnack	.....	D9/759
D390,943 S *	2/1998	Kelly	.....	D23/386
D394,901 S *	6/1998	Governale et al.	.....	D23/354
6,835,129 B1 *	12/2004	Harris	.....	454/289
D526,402 S *	8/2006	Achen	.....	D23/386
D588,396 S *	3/2009	Millsap et al.	.....	D7/354

\* cited by examiner

*Primary Examiner*—T. Chase Nelson

*Assistant Examiner*—David G Muller

(74) *Attorney, Agent, or Firm*—William G. Sykes

(57) **CLAIM**

The ornamental design for a crawl space recessed vent cover,  
as shown and described.

**DESCRIPTION**

FIG. 1 is a front perspective view of a crawl space recessed  
vent cover showing my new design;

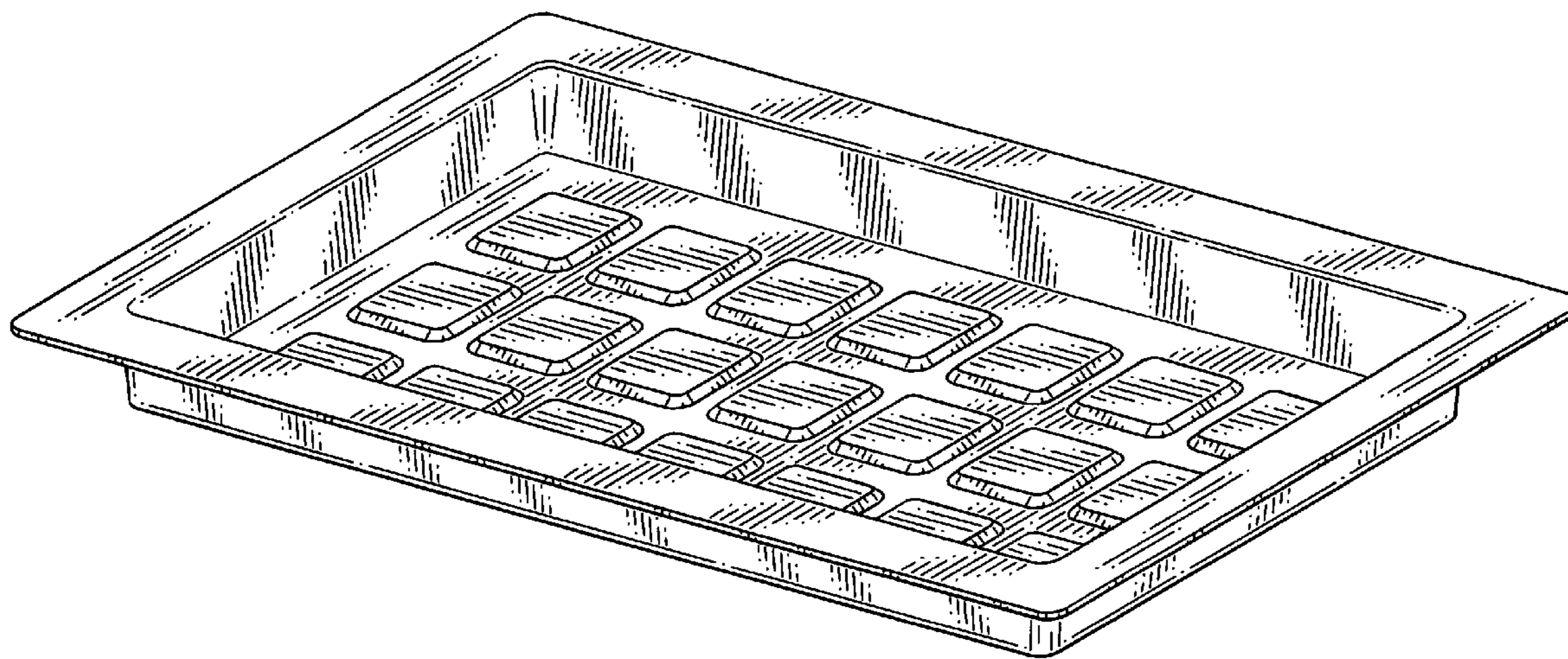
FIG. 2 is a top view thereof;

FIG. 3 is a front view thereof, the rear view being a mirror  
image;

FIG. 4 is a bottom view thereof;

FIG. 5 is a right side view thereof, the left side view being a  
mirror image;

**1 Claim, 3 Drawing Sheets**



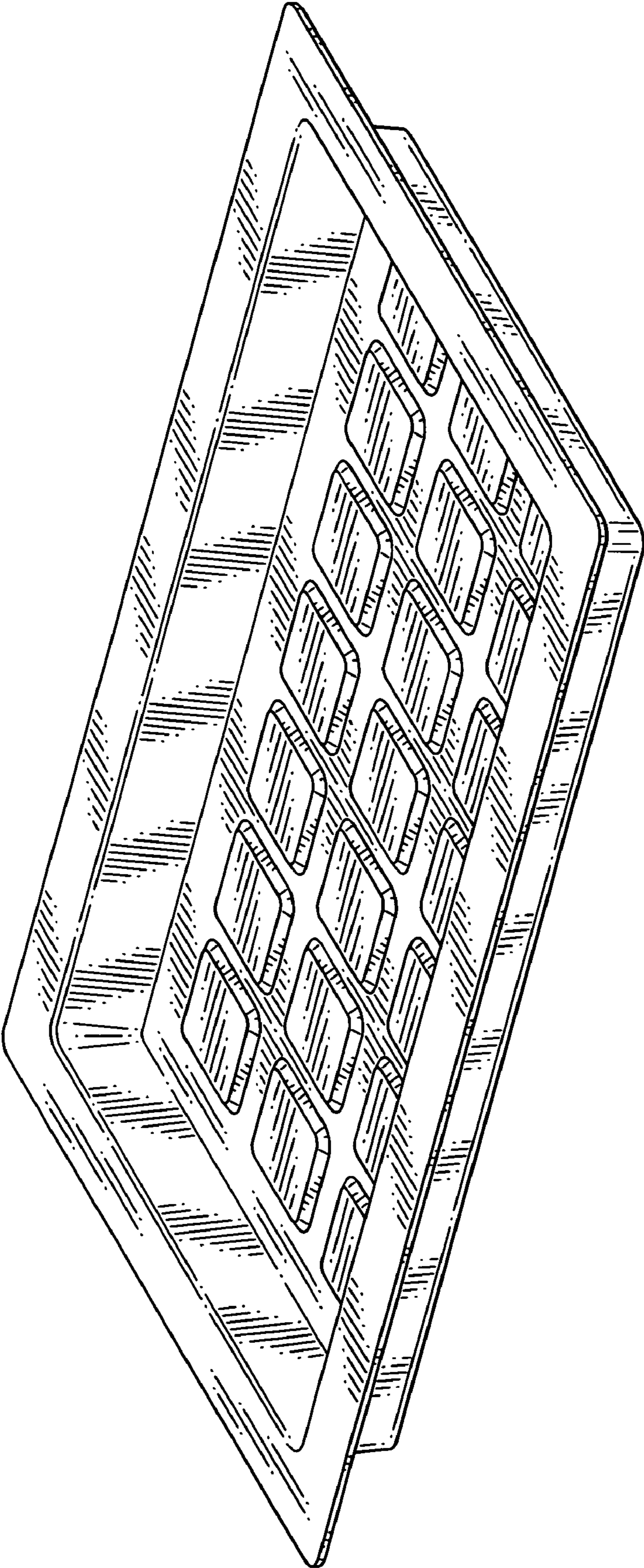


FIG. 1



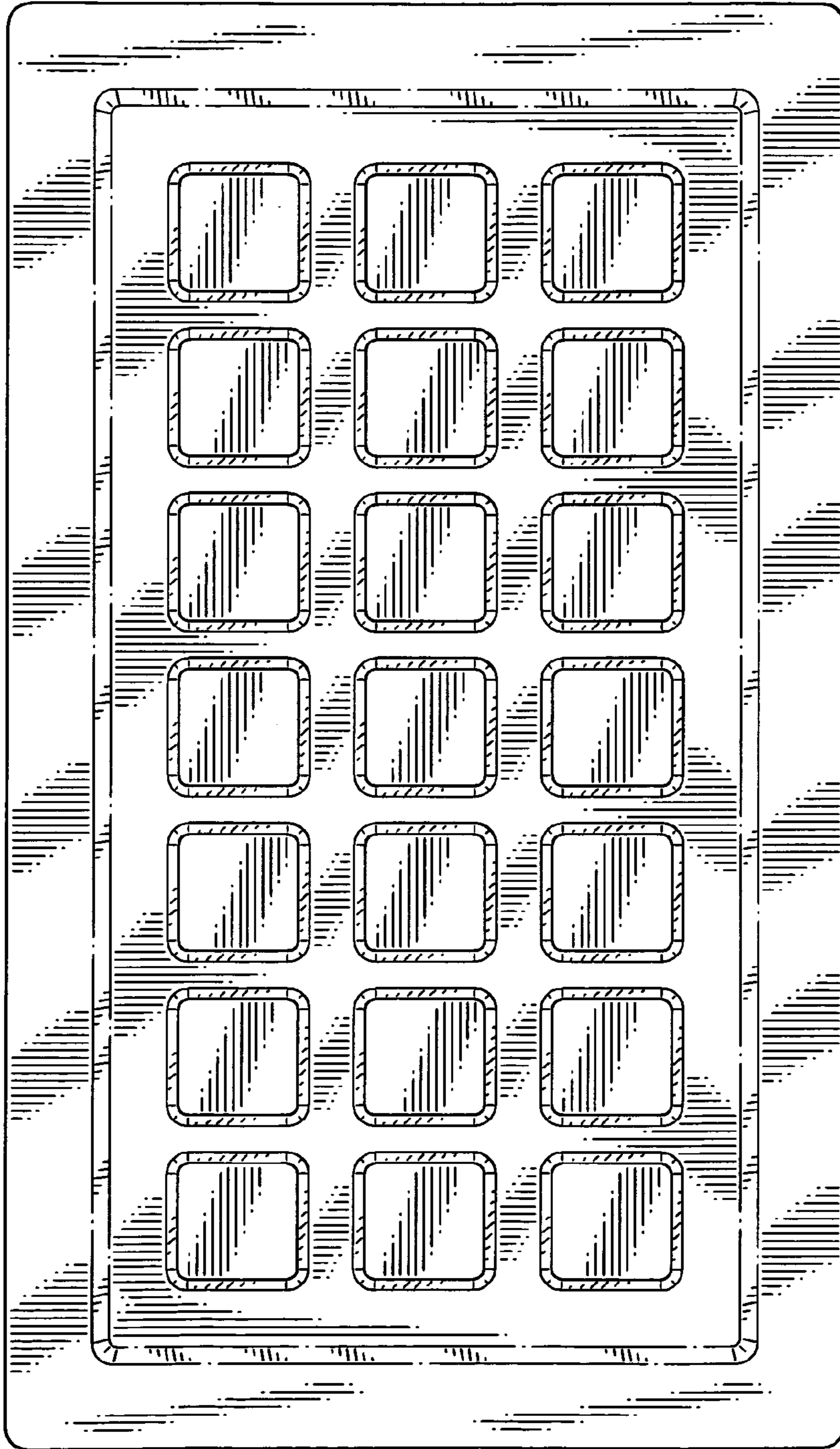


FIG. 2

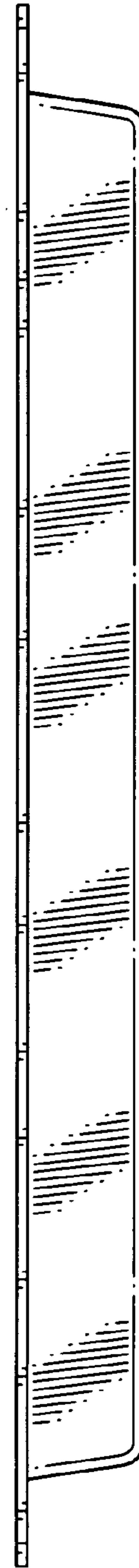


FIG. 3

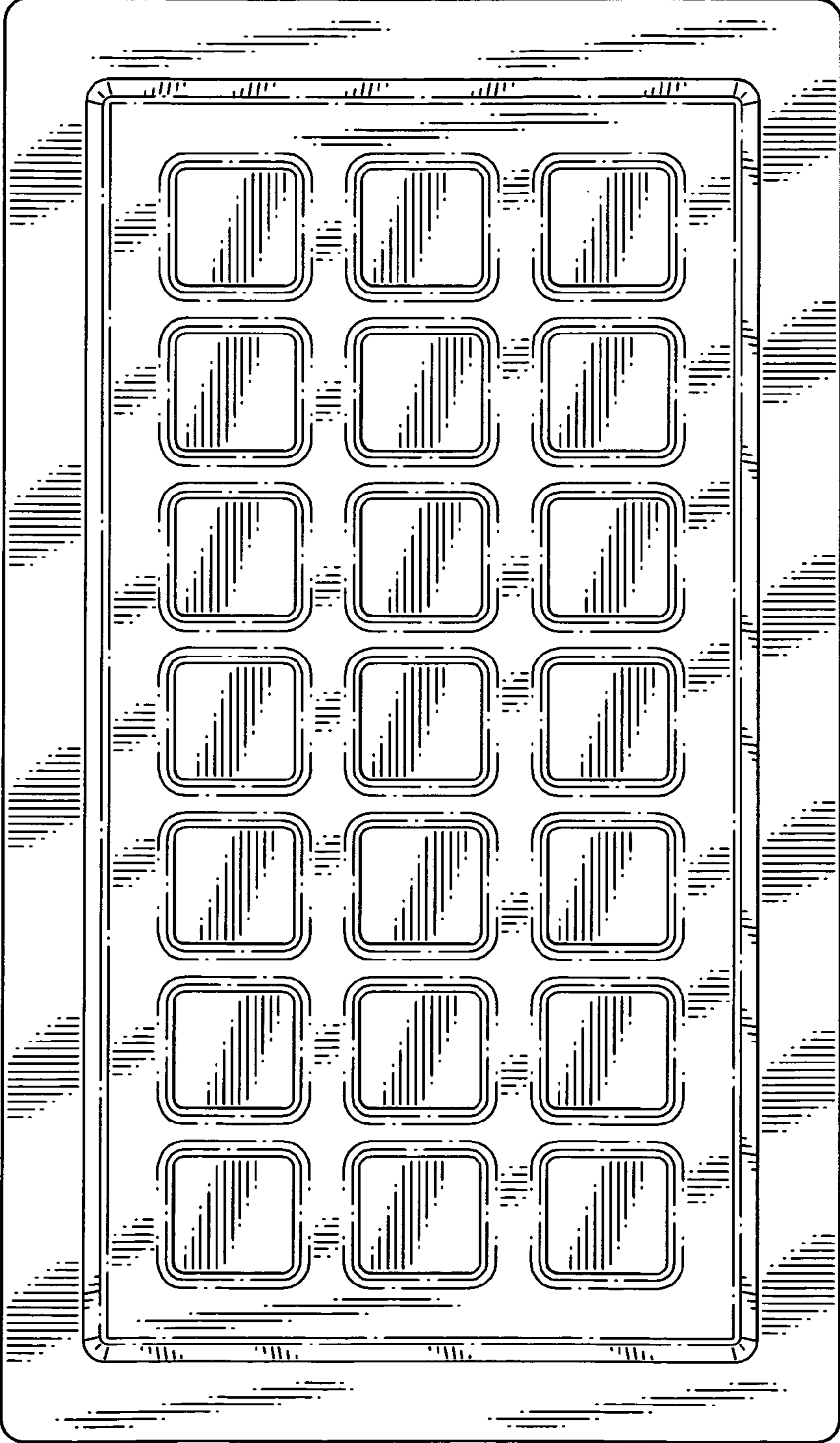


FIG. 4

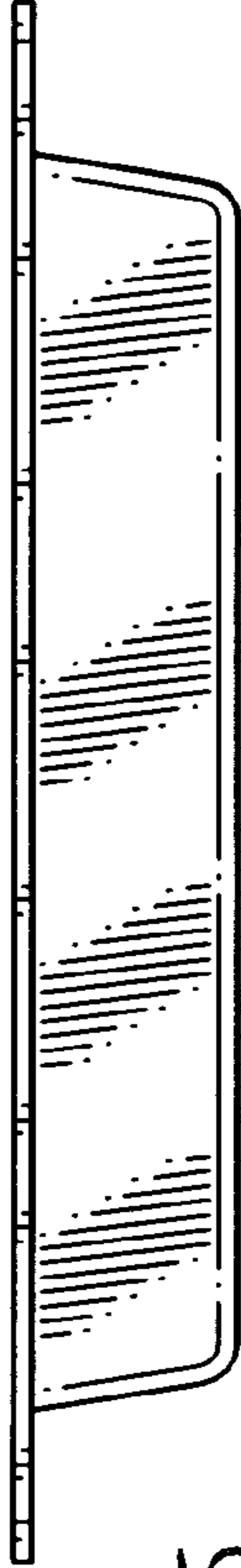


FIG. 5