



US00D607097S

(12) **United States Design Patent**
Yen

(10) **Patent No.:** **US D607,097 S**
(45) **Date of Patent:** **** Dec. 29, 2009**

(54) **SOLAR FAN DEVICE**

(57) **CLAIM**

(76) Inventor: **Jen-Yen Yen**, No. 22-2, Lane 3, Haugin Road, Nansin Tsuen, Puyen Hsiang, Changhua Hsien 51648 (TW)

The ornamental design for a solar fan device, as shown and described.

(**) Term: **14 Years**

DESCRIPTION

(21) Appl. No.: **29/315,258**

(22) Filed: **Jun. 9, 2009**

(51) **LOC (9) Cl.** **23-04**

(52) **U.S. Cl.** **D23/382**

(58) **Field of Classification Search** D23/382,
D23/381, 332, 370, 411, 412; 416/246 R,
416/247 R, 244 R

See application file for complete search history.

FIG. 1 is a front perspective view of a solar fan device showing my new design;

FIG. 2 is a front elevational view thereof;

FIG. 3 is a rear elevational view thereof;

FIG. 4 is a left side elevational view thereof;

FIG. 5 is a right side elevational view thereof;

FIG. 6 is a top plan view thereof;

FIG. 7 is a bottom plan view thereof;

FIG. 8 is a front perspective view thereof, the handle depicted by means of broken lines being for illustrating a working position of the handle; and,

FIG. 9 is a front perspective view thereof, the solar fan device depicted by means of broken lines being for illustrating a lying down position of the solar fan device.

(56) **References Cited**

U.S. PATENT DOCUMENTS

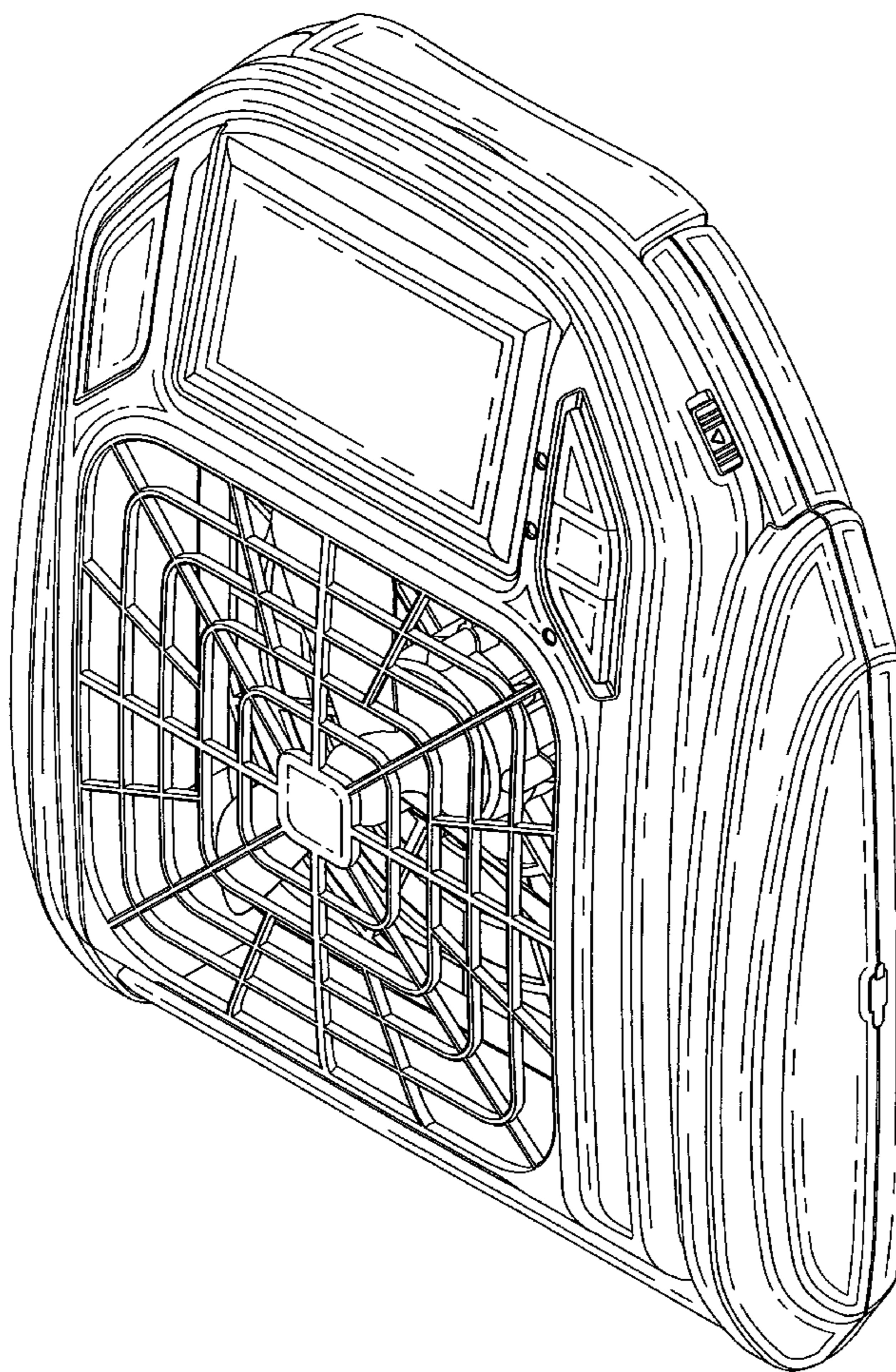
D425,192 S * 5/2000 Humphrey D23/379

* cited by examiner

Primary Examiner—Lisa P Lichtenstein

(74) *Attorney, Agent, or Firm*—Charles E. Baxley

1 Claim, 7 Drawing Sheets



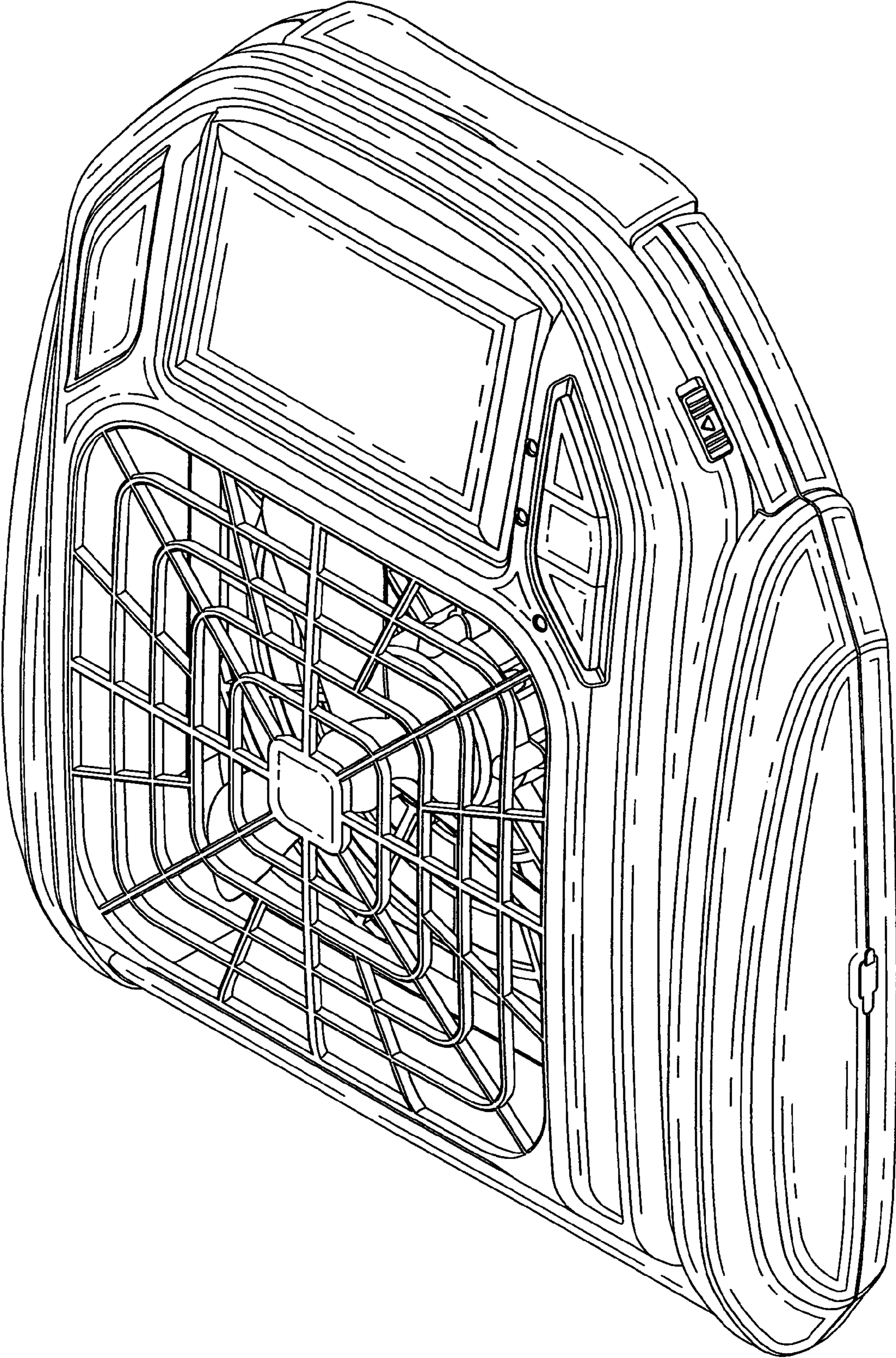


FIG. 1

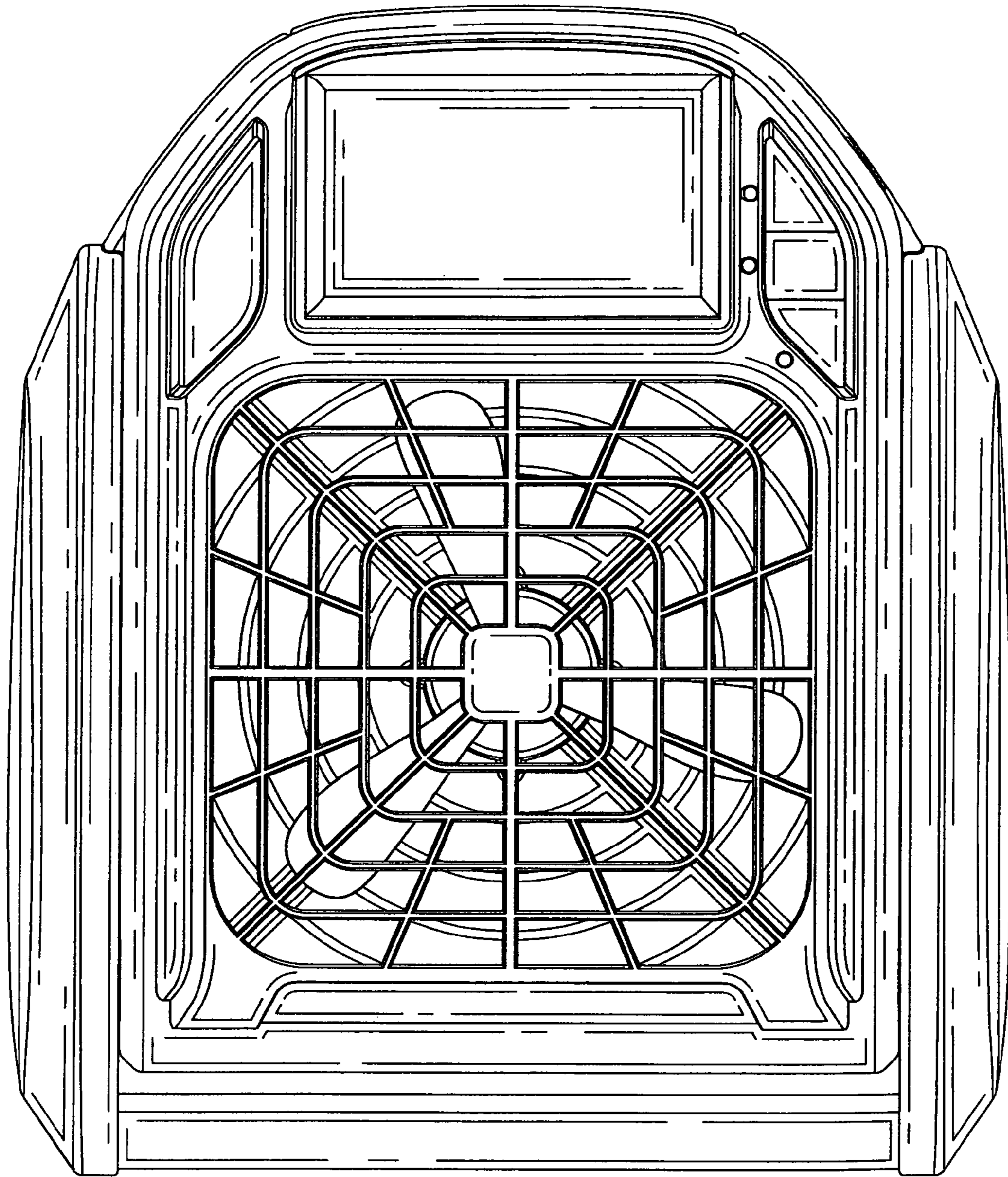


FIG. 2

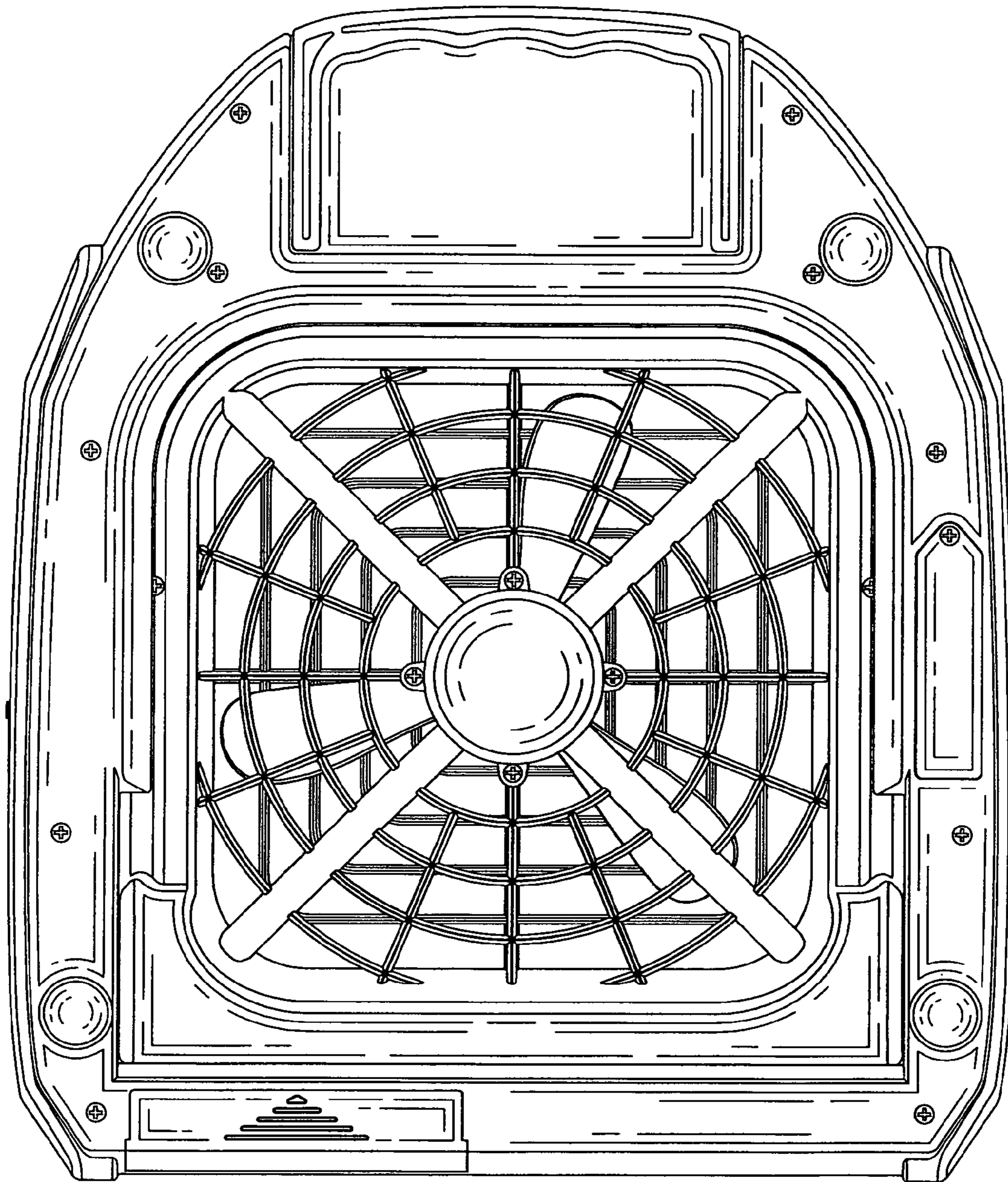


FIG. 3



FIG. 4

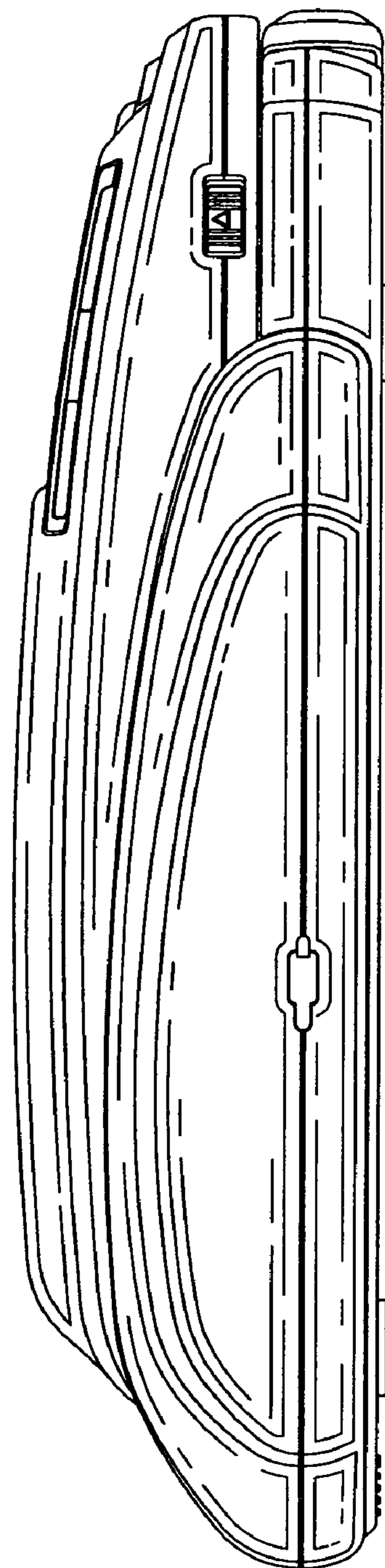


FIG. 5

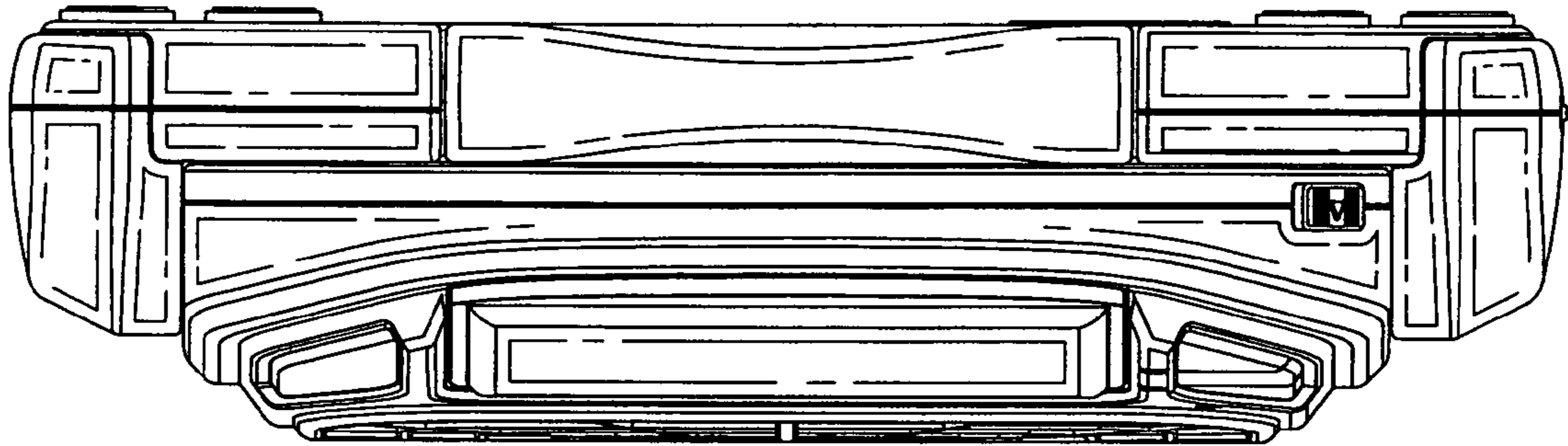


FIG. 6

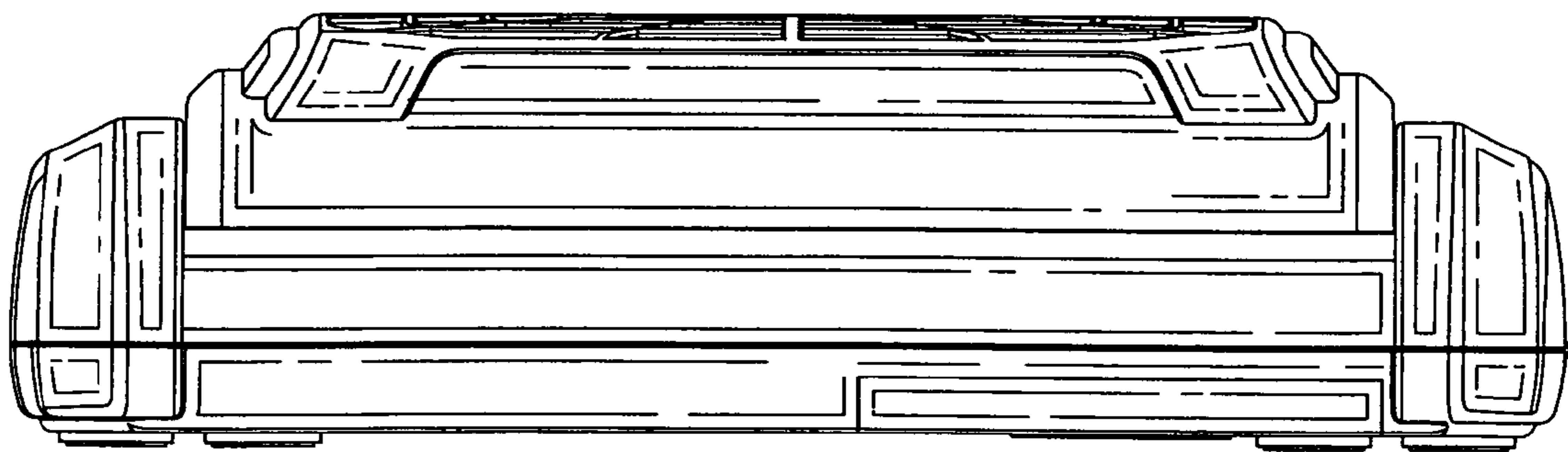


FIG. 7

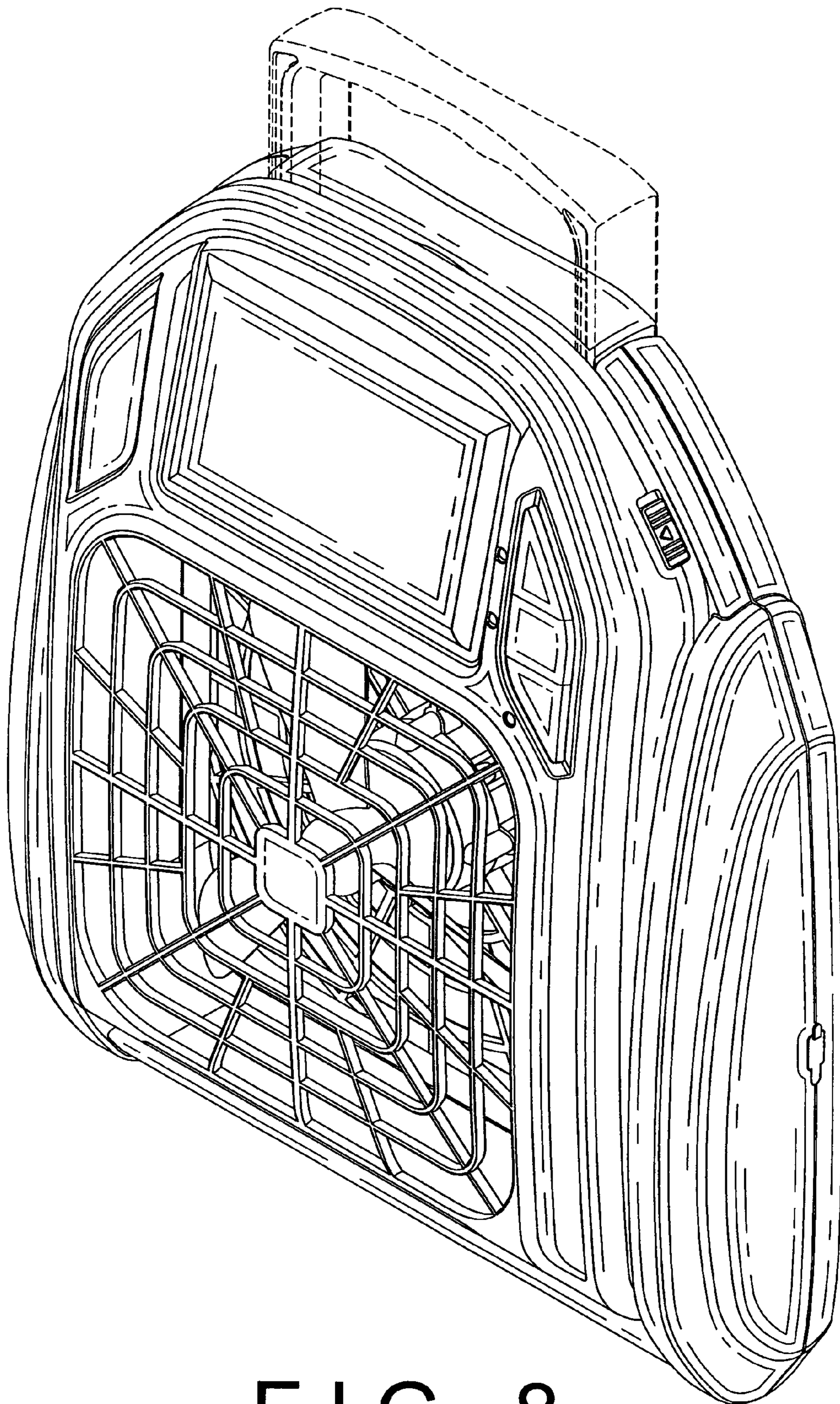


FIG. 8

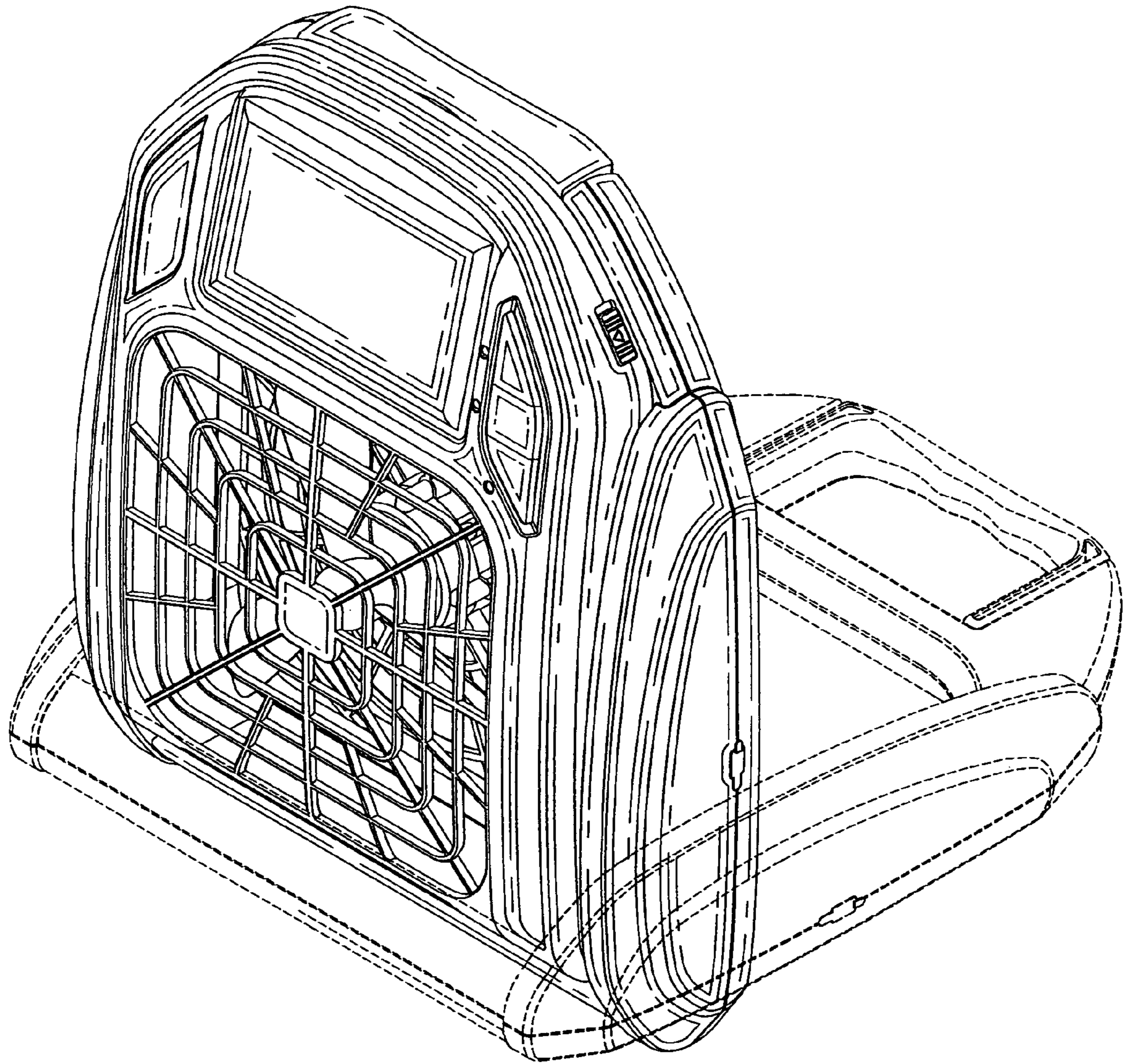


FIG. 9