



US00D607096S

(12) **United States Design Patent**
Searle

(10) **Patent No.:** **US D607,096 S**

(45) **Date of Patent:** **** Dec. 29, 2009**

(54) **COMBINED CEILING FAN AND LIGHT
FIXTURE**

(75) Inventor: **Scott Searle**, Encino, CA (US)

(73) Assignee: **Chien Luen Industries Co., Ltd., Inc.**,
Oakland Park, FL (US)

(**) Term: **14 Years**

(21) Appl. No.: **29/330,659**

(22) Filed: **Jan. 12, 2009**

(51) **LOC (9) Cl.** **23-04**

(52) **U.S. Cl.** **D23/377**

(58) **Field of Classification Search** D23/377,
D23/379, 385, 411, 413; 416/5; D26/59,
D26/72, 81-86, 88, 51

See application file for complete search history.

(56) **References Cited**

U.S. PATENT DOCUMENTS

D364,224 S	11/1995	Wang	
D371,838 S	7/1996	Davis, Jr. et al.	
D378,404 S	3/1997	Jaspers-Fayer	
D402,026 S	12/1998	Chuang et al.	
D408,518 S	4/1999	Liu	
D411,295 S	6/1999	Evans	
D412,571 S	8/1999	Lee	
D414,856 S	10/1999	Zuege	
D421,799 S	3/2000	Zuege	
D422,072 S	3/2000	Blateri	
D462,756 S	9/2002	Liu	
D476,728 S *	7/2003	Gajewski	D23/377
D477,068 S *	7/2003	Hsieh	D23/377
D480,471 S	10/2003	Hsieh	
D485,347 S	1/2004	Bucher et al.	

D528,652 S *	9/2006	Hidalgo	D23/411
D533,654 S *	12/2006	Burns	D23/411
D553,731 S	10/2007	Bucher et al.	
D566,258 S	4/2008	Bucher et al.	
D566,259 S	4/2008	Bucher et al.	
D572,814 S	7/2008	Bucher et al.	
D576,265 S	9/2008	Bucher et al.	
D577,116 S	9/2008	Orozco	
D580,546 S *	11/2008	Smyth et al.	D23/411

* cited by examiner

Primary Examiner—Lisa P Lichtenstein

(74) *Attorney, Agent, or Firm*—Brian S. Steinberger; Law
Offices of Brian S. Steinberger, P.A.

(57) **CLAIM**

The ornamental design for a combined ceiling fan and light
fixture, as shown and described.

DESCRIPTION

FIG. 1 is a lower front perspective view of a combined ceiling
fan and light fixture.

FIG. 2 is a top perspective view of the design of FIG. 1.

FIG. 3 is a front view of the design of FIG. 1.

FIG. 4 is a left side view of the design of FIG. 1.

FIG. 5 is a right side view of the design of FIG. 1.

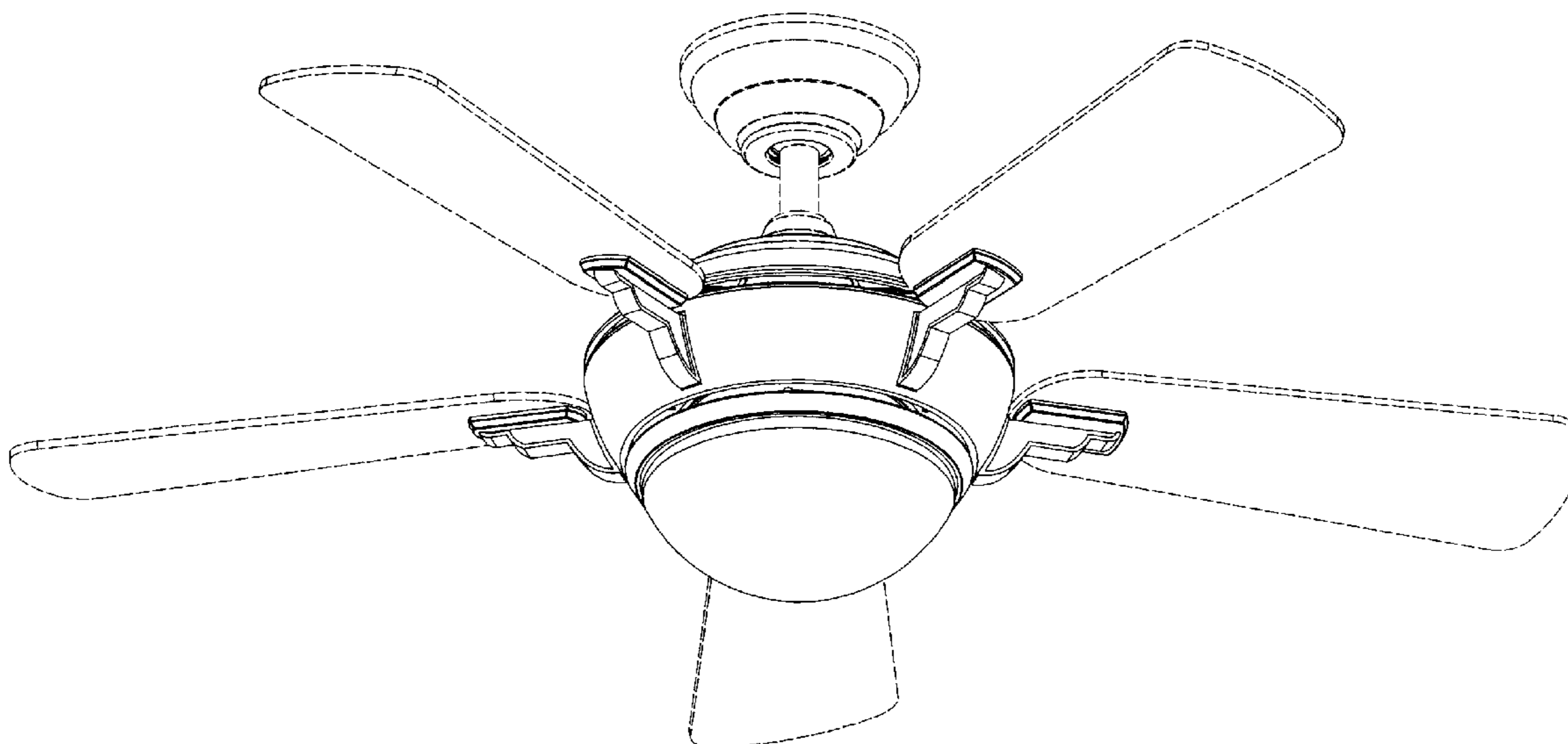
FIG. 6 is a rear view of the first embodiment design of FIG. 1.

FIG. 7 is a bottom view of the design of FIG. 1; and,

FIG. 8 is a top view of the design of FIG. 1.

The broken line showing of the canopy, support rod and
blades is included for the purpose of illustrating environmen-
tal structure and forms no part of the claimed design.

1 Claim, 8 Drawing Sheets



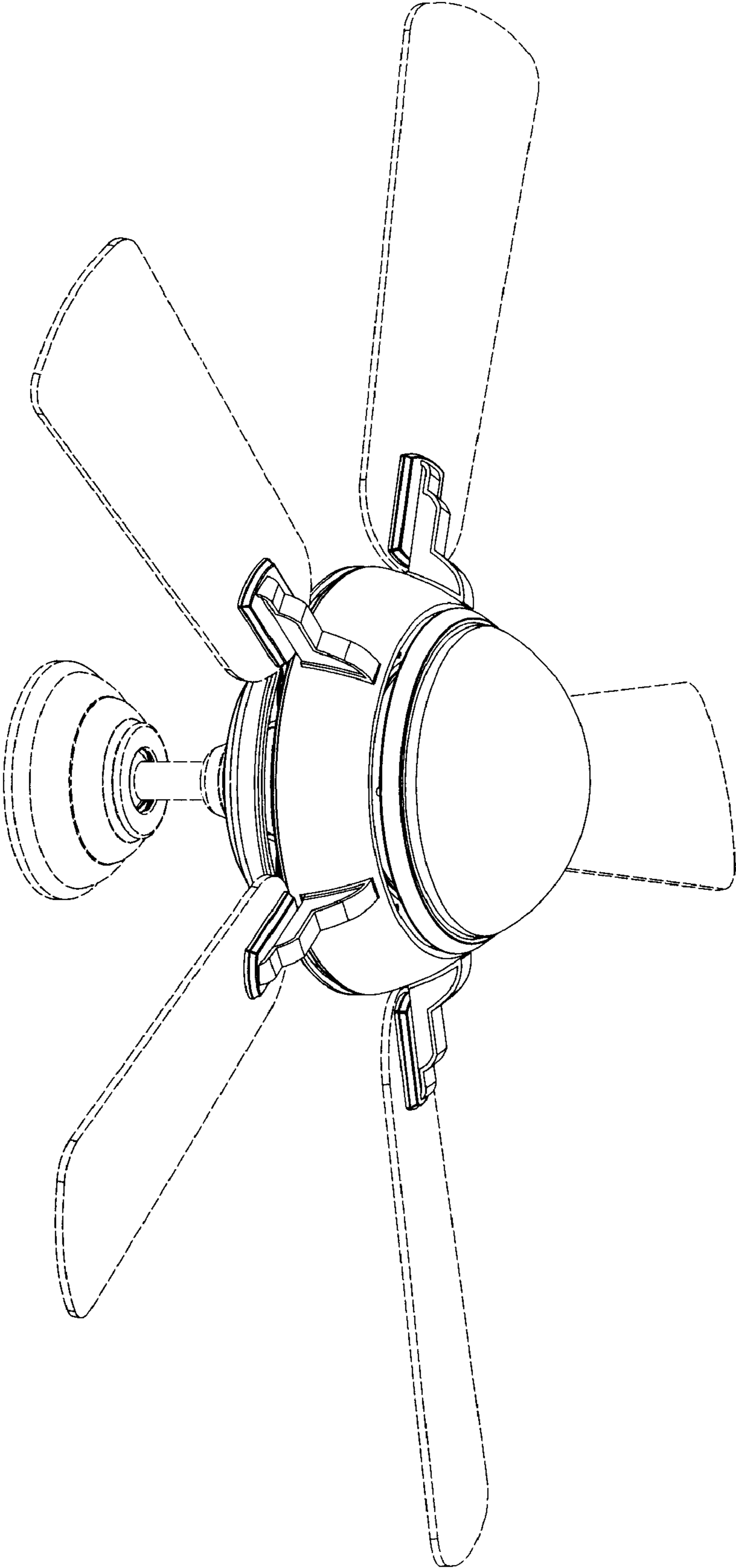


FIG. 1

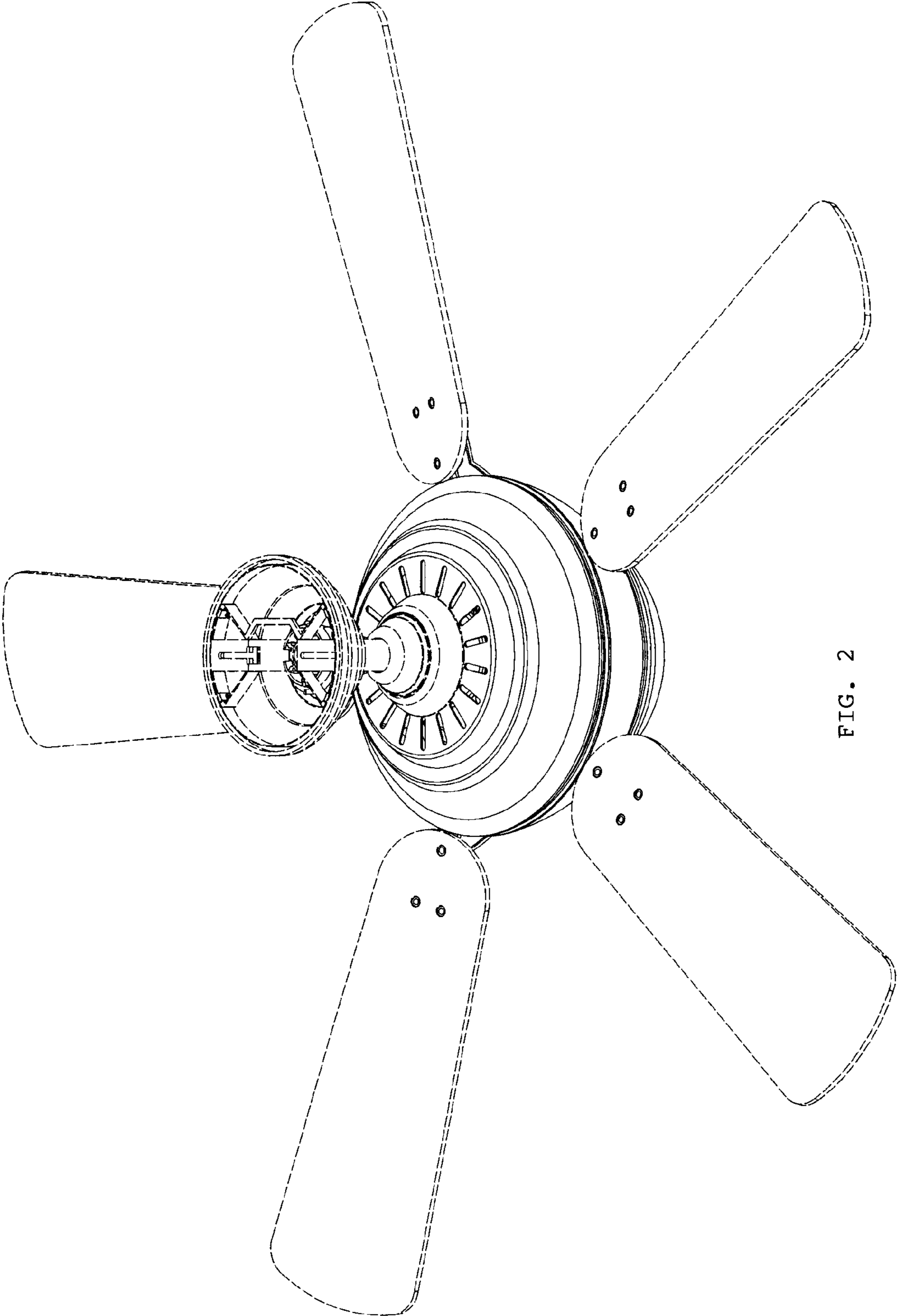


FIG. 2

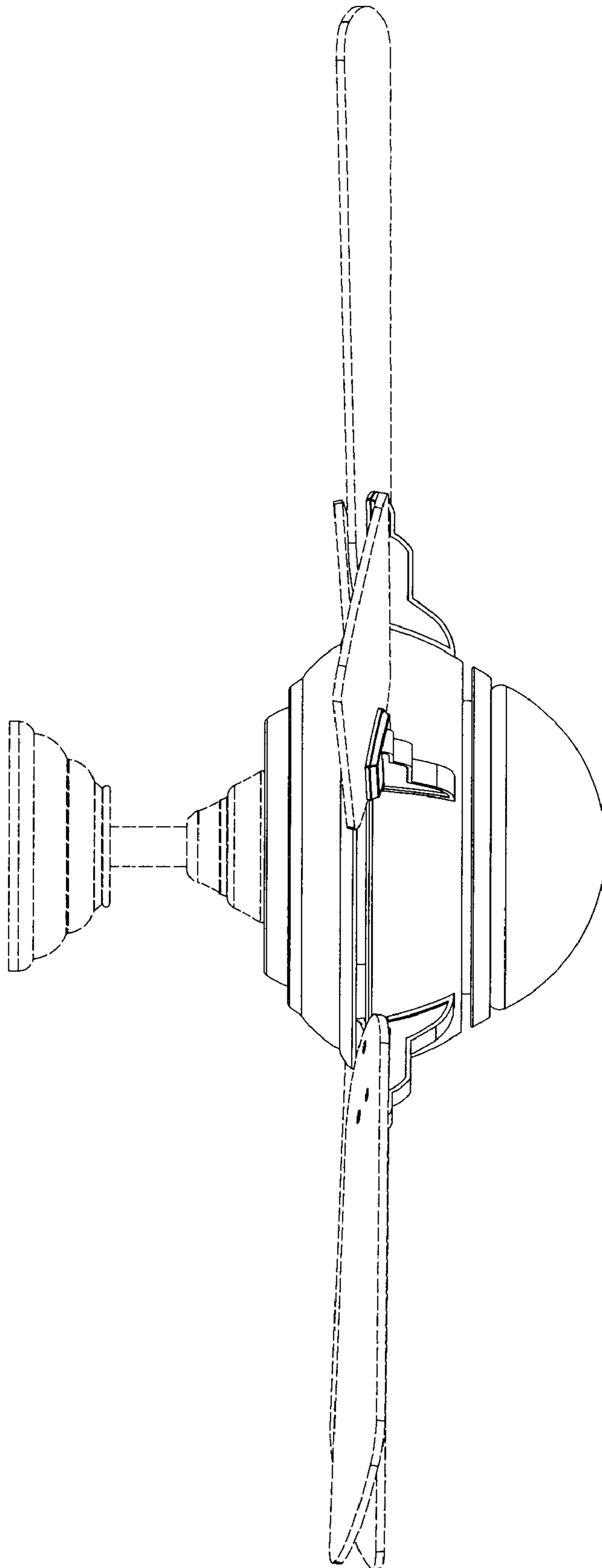


FIG. 3

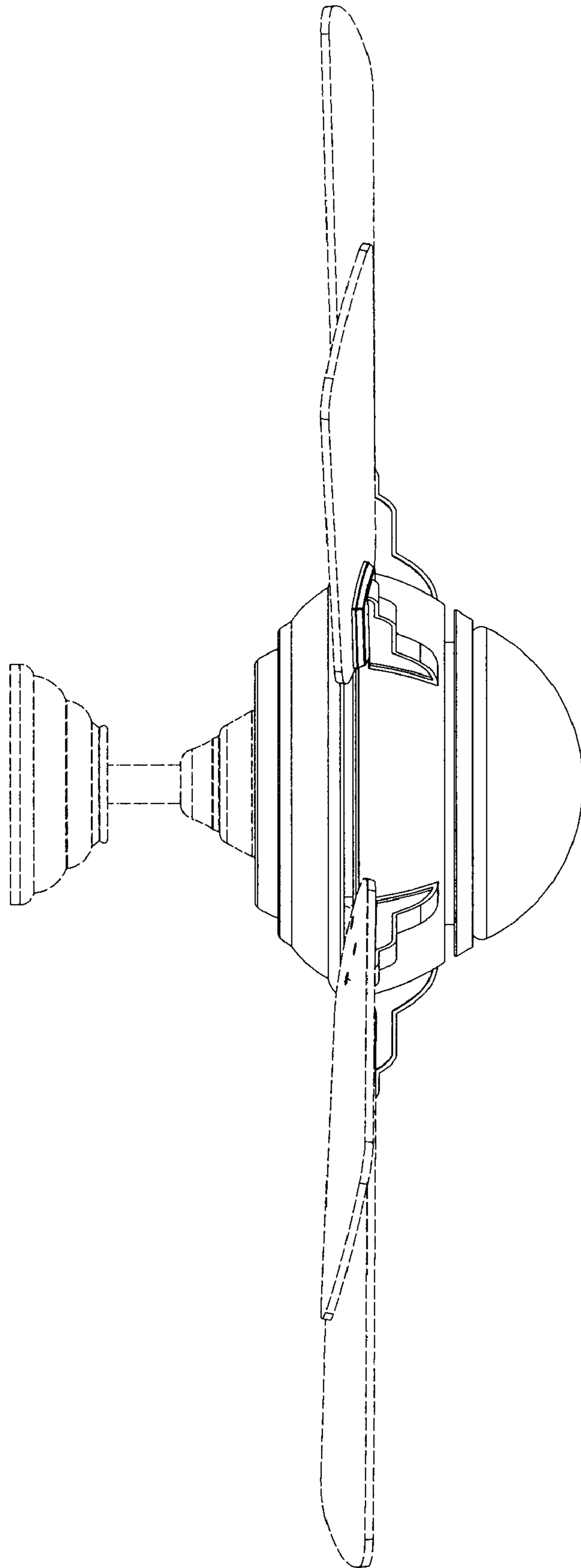


FIG. 4

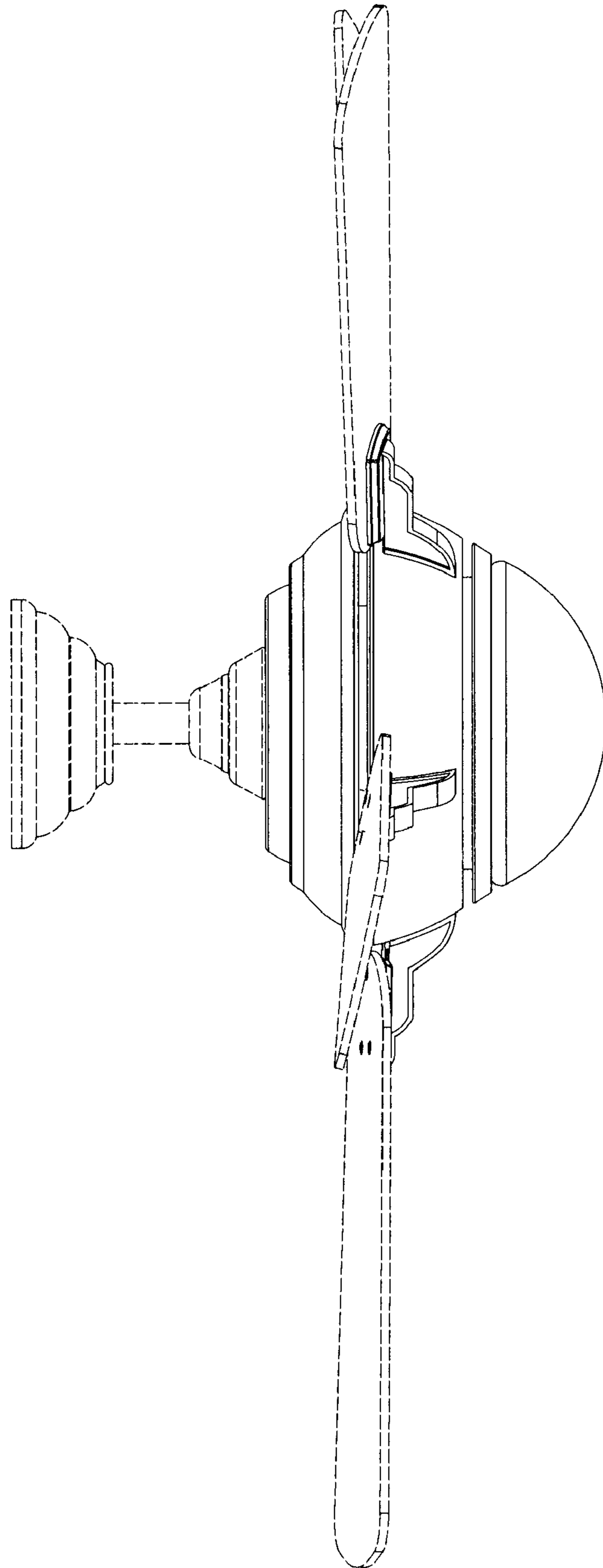


FIG. 5

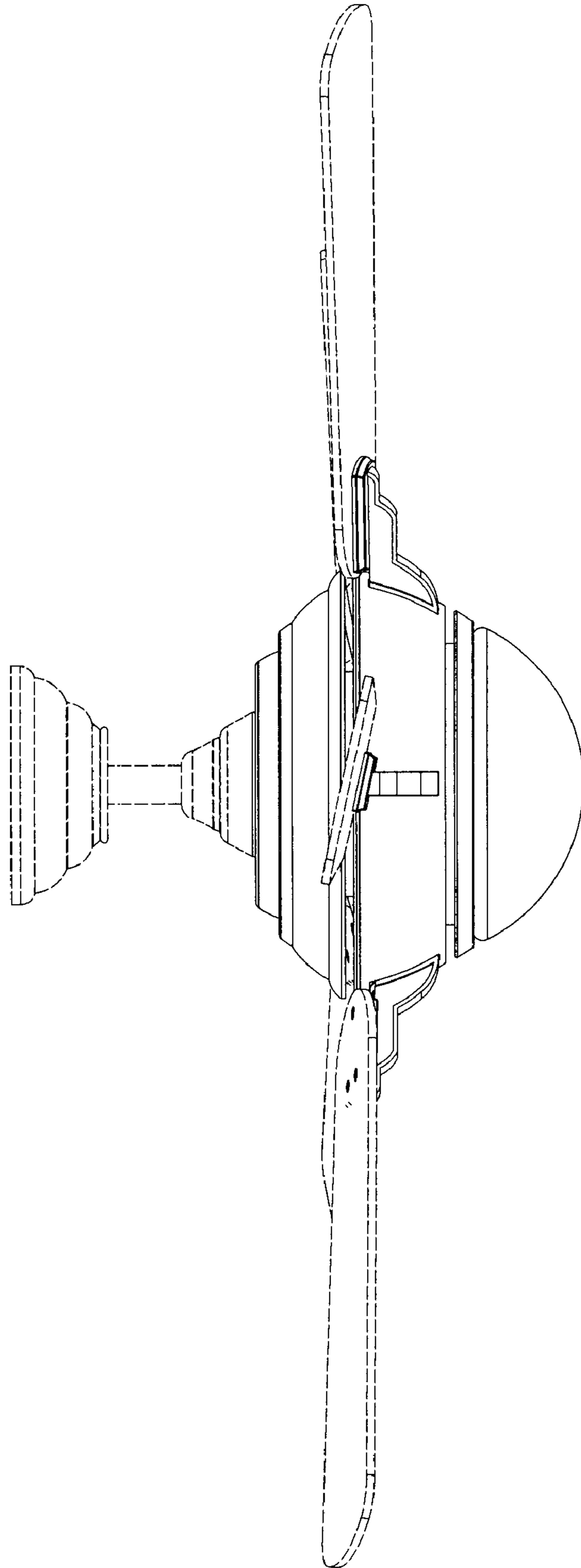


FIG. 6

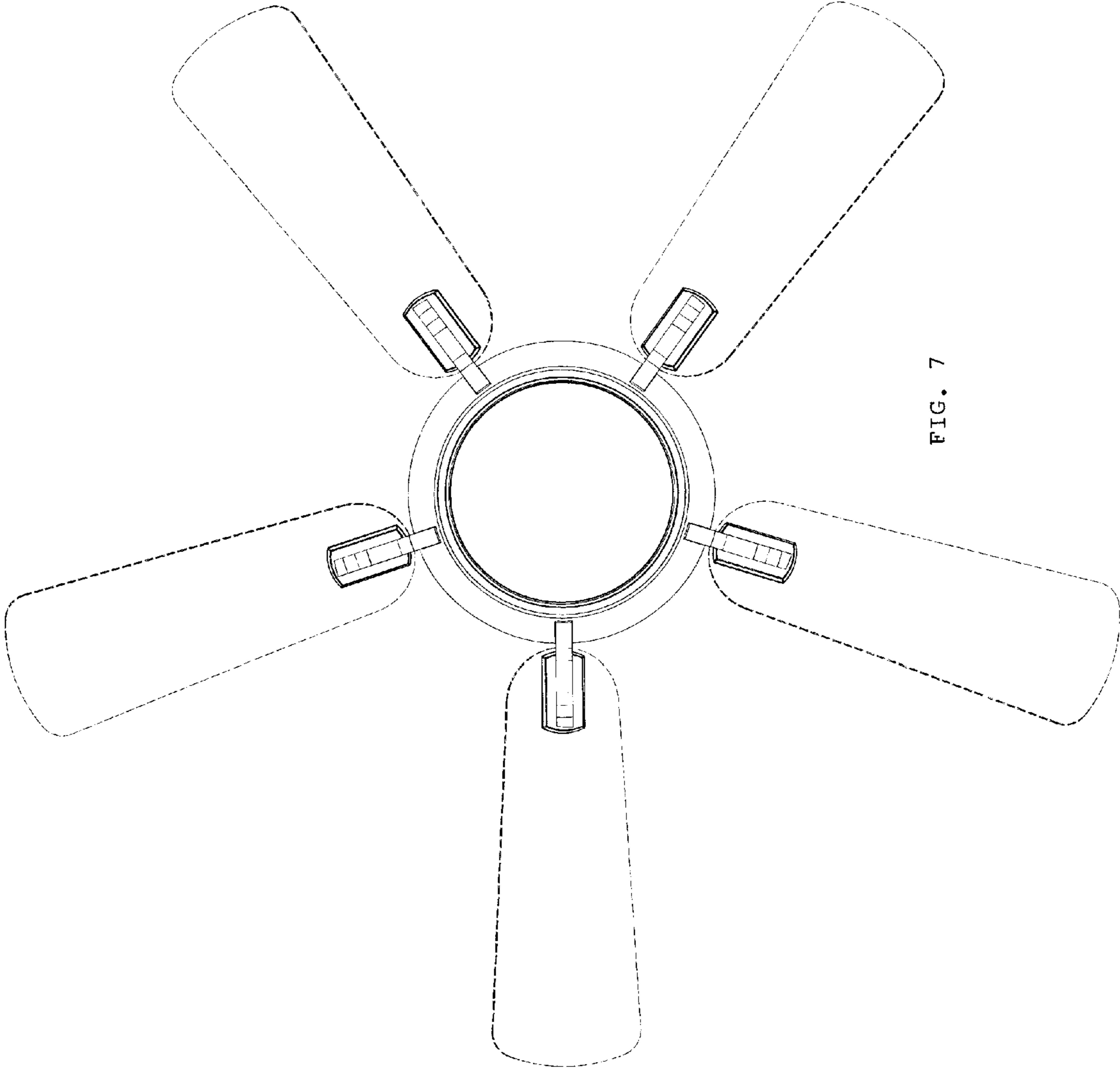


FIG. 7

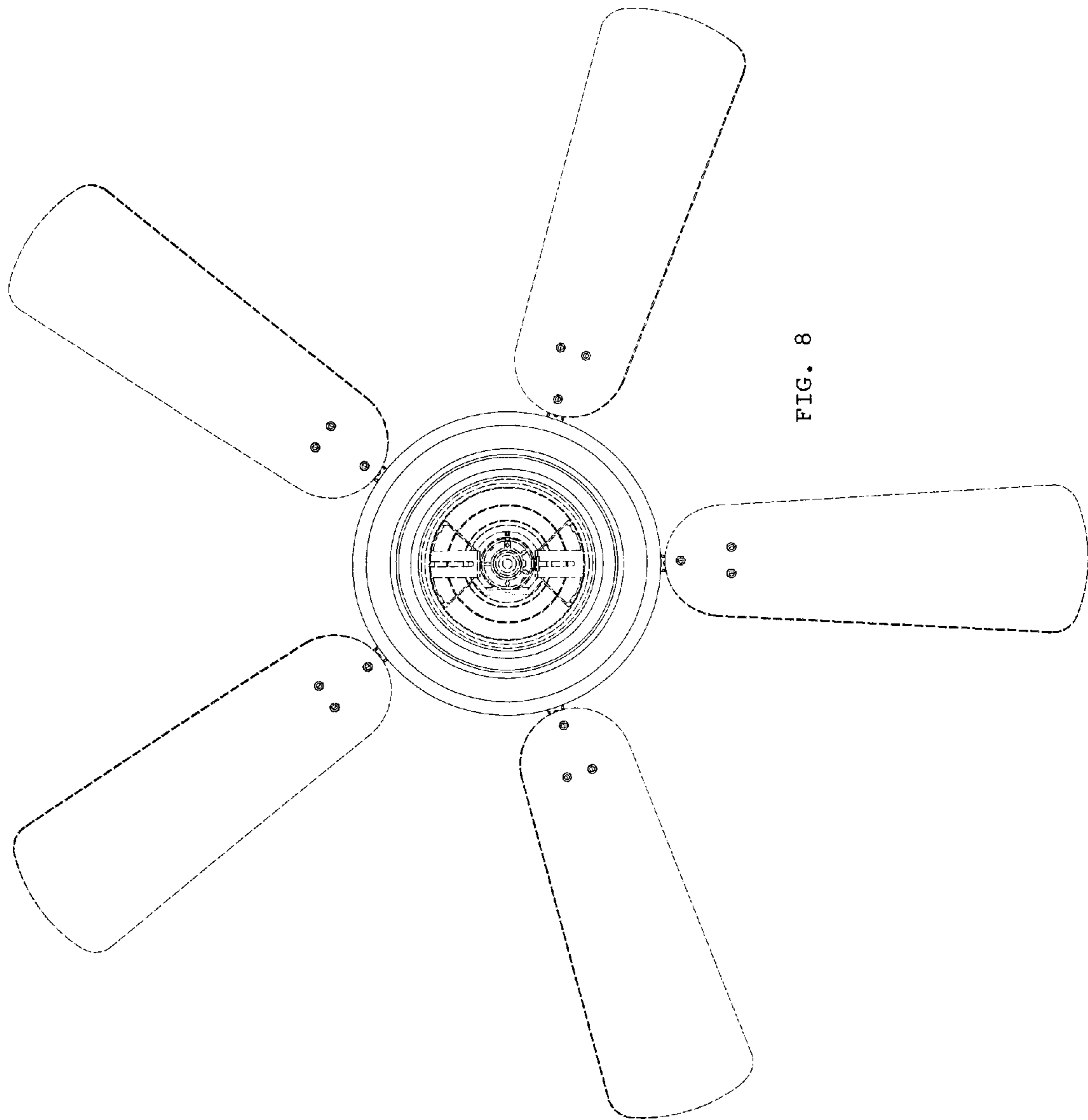


FIG. 8